



US00D891685S

(12) **United States Design Patent**
Shundong

(10) **Patent No.:** **US D891,685 S**

(45) **Date of Patent:** **** Jul. 28, 2020**

(54) **SMT LIGHT**

(71) Applicant: **Above All Lighting Inc.**, Toms River, NJ (US)

(72) Inventor: **Liu Shundong**, Shanghai (CN)

(73) Assignee: **Above All Lighting, Inc.**, Toms River, NJ (US)

(**) Term: **15 Years**

(21) Appl. No.: **29/645,696**

(22) Filed: **Apr. 27, 2018**

(51) **LOC (12) Cl.** **26-03**

(52) **U.S. Cl.**
USPC **D26/118**

(58) **Field of Classification Search**
USPC D26/63, 67, 68, 71, 72, 87, 92, 134–136
CPC .. F21S 8/033; F21S 8/036; F21S 8/038; F21S 8/043; F21S 8/081; F21S 8/083; F21S 8/085; F21S 8/086; F21S 8/088; F21S 13/10; F21S 9/03; F21S 9/035; F21S 9/037; F21S 10/063; F21V 21/30; F21W 2111/02

See application file for complete search history.

(56) **References Cited**

U.S. PATENT DOCUMENTS

D442,313 S *	5/2001	Wojtkowiak	D26/71
D591,445 S *	4/2009	Guercio	D26/71
D648,885 S *	11/2011	Toratani	D26/71
D664,697 S *	7/2012	Piano	D26/71
D670,021 S *	10/2012	Ahrari	D26/92
D673,720 S *	1/2013	Bailey	D26/138
D675,771 S *	2/2013	Yamada	D26/118
D684,296 S *	6/2013	Henderson	D26/118
D747,527 S *	1/2016	Guercio	D26/71
D817,533 S *	5/2018	Wan	D26/71
D818,174 S *	5/2018	Wan	D26/71

D821,016 S *	6/2018	Wan	D26/71
D822,261 S *	7/2018	Demuynck	D26/92
D825,087 S *	8/2018	Clark	D26/71

(Continued)

FOREIGN PATENT DOCUMENTS

EM 003533256-0001 * 2/2017

OTHER PUBLICATIONS

1181110603SMTAreaLightSpecSheet <https://www.abovealllighting.com/Uploads/files/201906/1181110603SMTAreaLightSpecSheet.pdf> Last modified Jun. 3, 2019 (Year: 2019).*

(Continued)

Primary Examiner — Leanne Was-Englehart

(74) *Attorney, Agent, or Firm* — McCarter & English, LLP

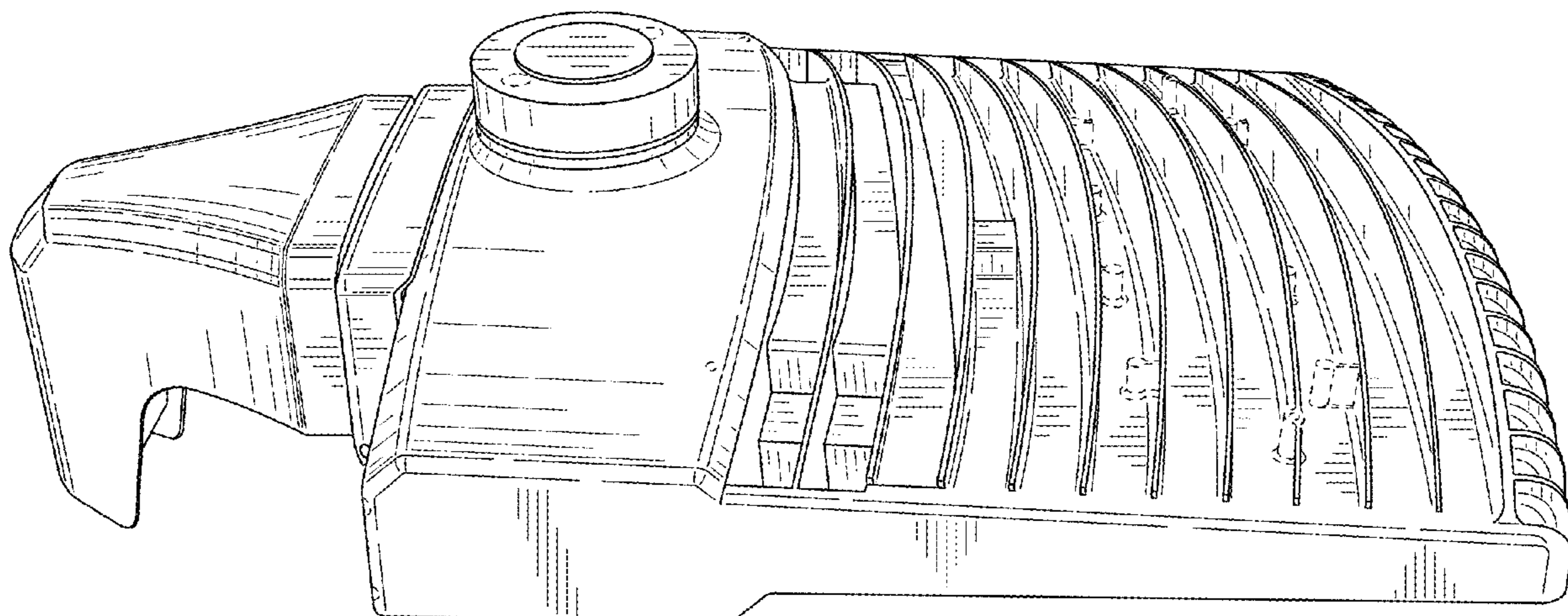
(57) **CLAIM**

The ornamental design for an SMT light, as shown and described.

DESCRIPTION

FIG. 1 is a first perspective view of an SMT light showing the top and the left side;
FIG. 2 is a second perspective view of the SMT light of FIG. 1 showing the bottom, the front, and the left side;
FIG. 3 is a front elevational view of the SMT light of FIG. 1;
FIG. 4 is a rear elevational view of the SMT light of FIG. 1.
FIG. 5 is a right side elevational view of the SMT light of FIG. 1, a left side elevational view of the SMT light of FIG. 1 being a mirror image of the right side elevational view;
FIG. 6 is a top plan view of the SMT light of FIG. 1; and, FIG. 7 is a bottom plan view of the SMT light of FIG. 1.
In the drawings, the broken (phantom) lines depict unclaimed subject matter only and form no part of the claimed design.

1 Claim, 7 Drawing Sheets



(56)

References Cited

U.S. PATENT DOCUMENTS

D844,879 S * 4/2019 Yu D26/71
D849,315 S * 5/2019 Deng D26/113
D853,622 S * 7/2019 Yu D26/113
D854,228 S * 7/2019 Yu D26/113
2015/0267908 A1 * 9/2015 Smith F21V 29/505
362/294
2016/0320035 A1 * 11/2016 Duckworth F21V 15/01
2017/0234520 A1 * 8/2017 Yu F21V 29/83
362/294

OTHER PUBLICATIONS

Above All SMT LED Area Light <https://web.archive.org/web/20180427110742/http://www.abovealllighting.com:80/Product/LED-OUT-DOOR-FIXTURES/LED-Area-Light.html> Available Apr. 27, 2018 (Year: 2018).*

Commercial Architecture Mar. 2018 <https://www.abovealllighting.com/Uploads/file/20180328/1522205463368946.pdf> Uploaded Mar. 28, 2018 (Year: 2018).*

Retrofit LED Area Lighting Includes Wireless Outdoor Control Unit <https://www.retrofitmagazine.com/led-area-lighting-includes-wireless-outdoor-control-unit/> Posted May 16, 2018 (Year: 2018).*

* cited by examiner

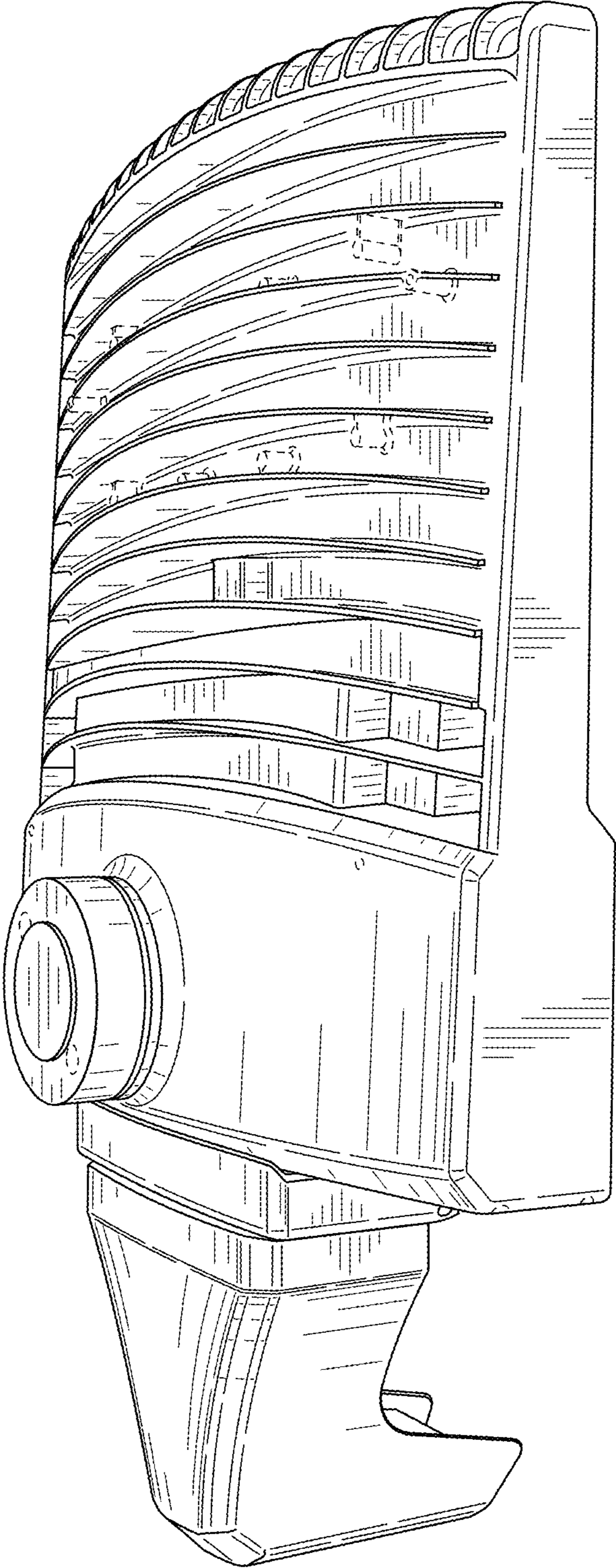


FIG. 1

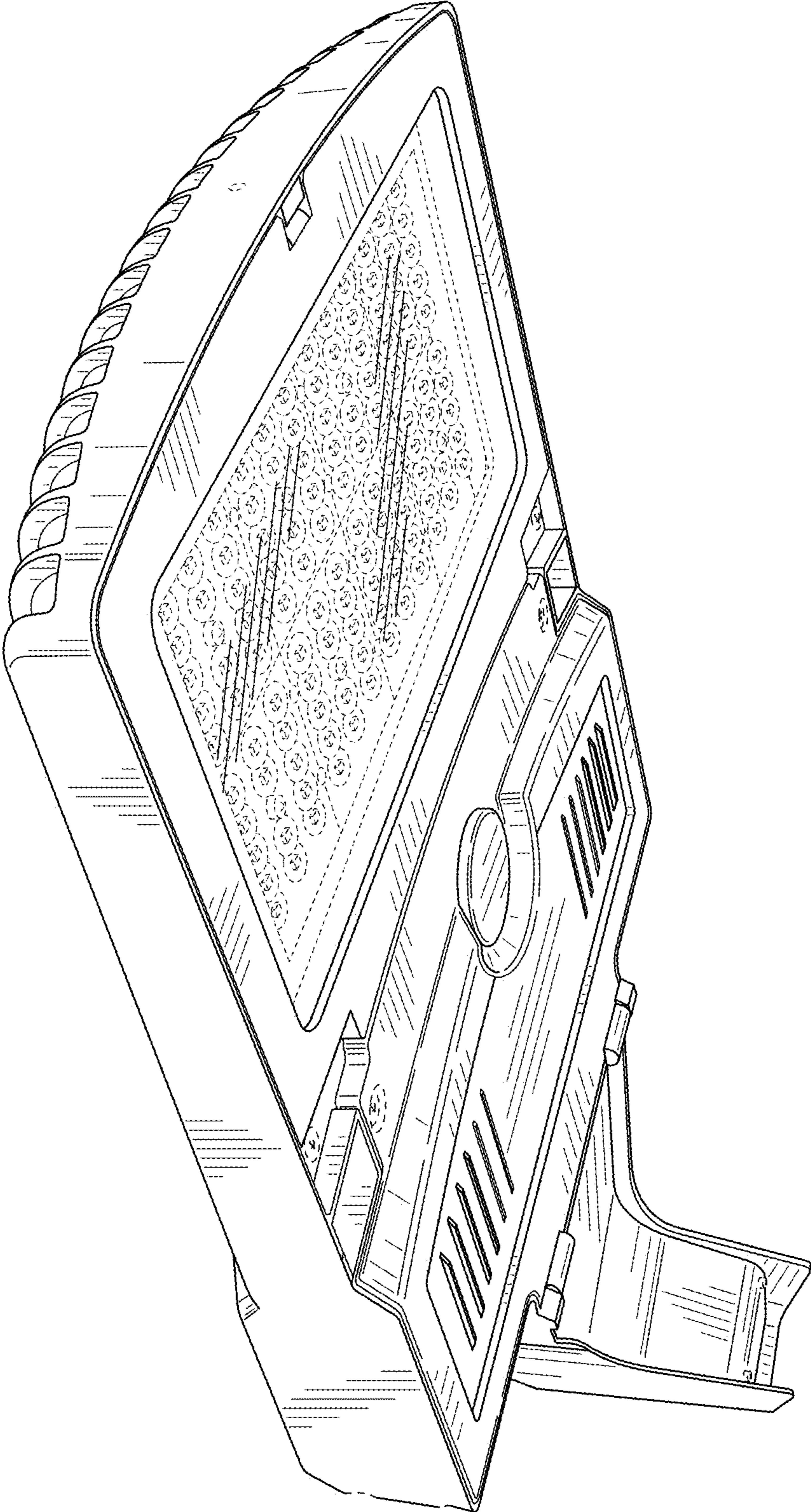


FIG. 2

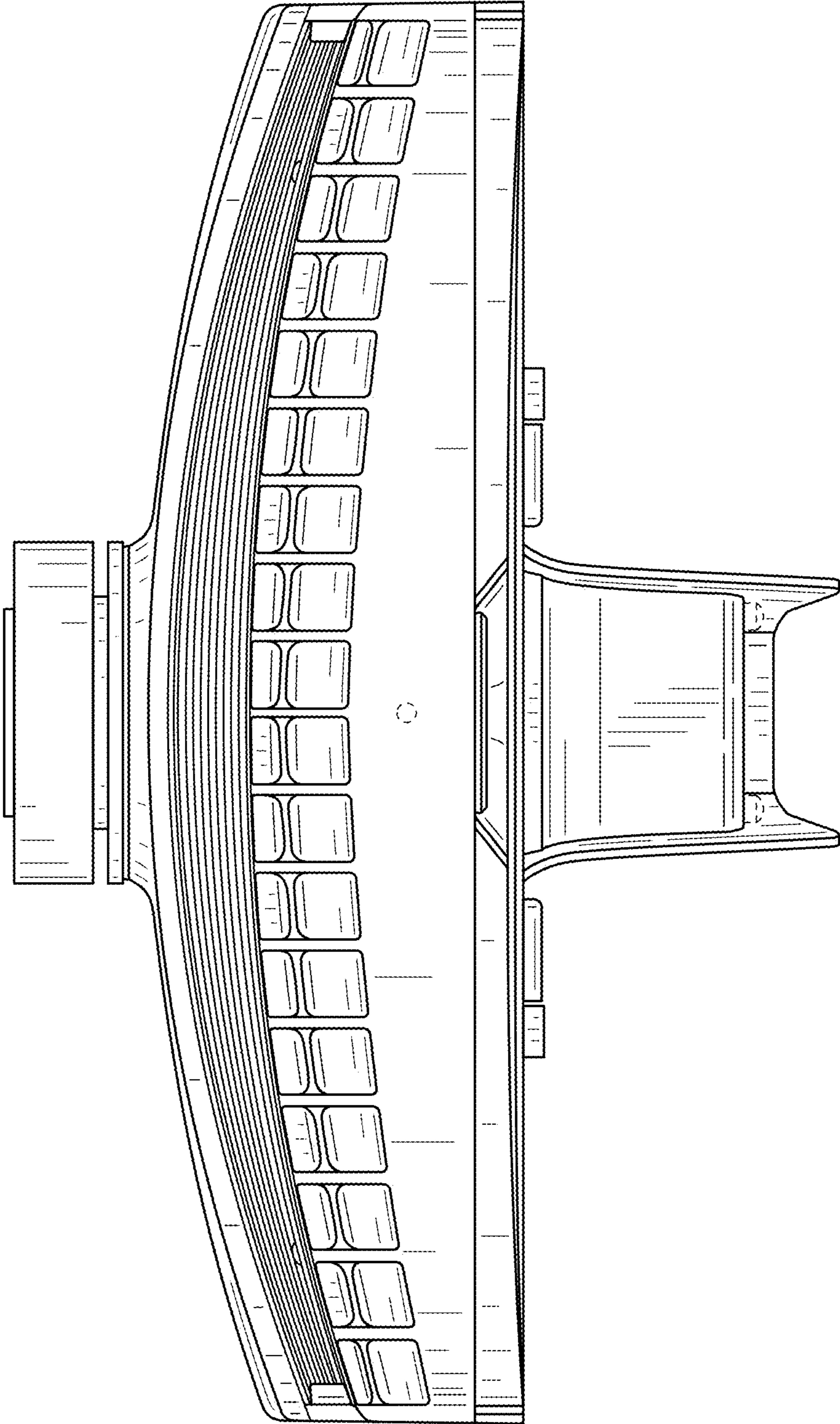


FIG. 3

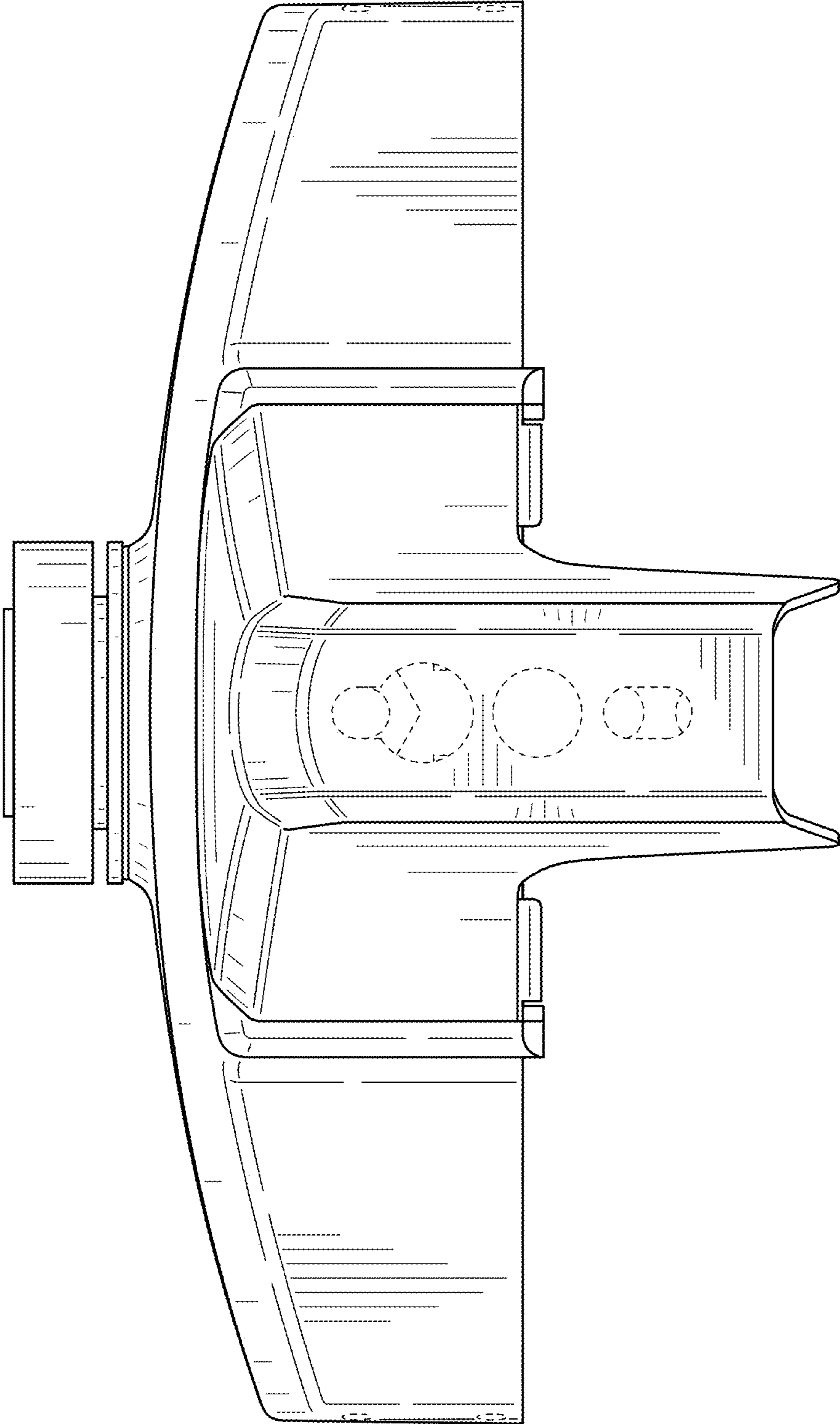


FIG. 4

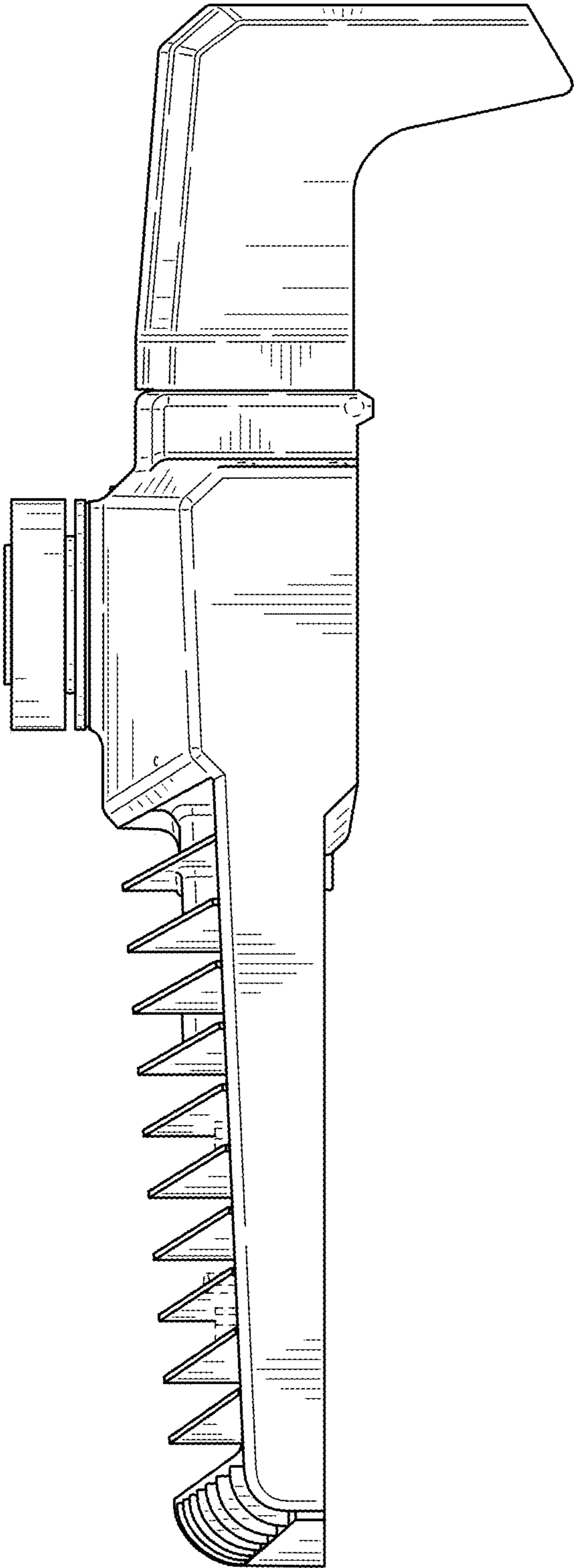


FIG. 5

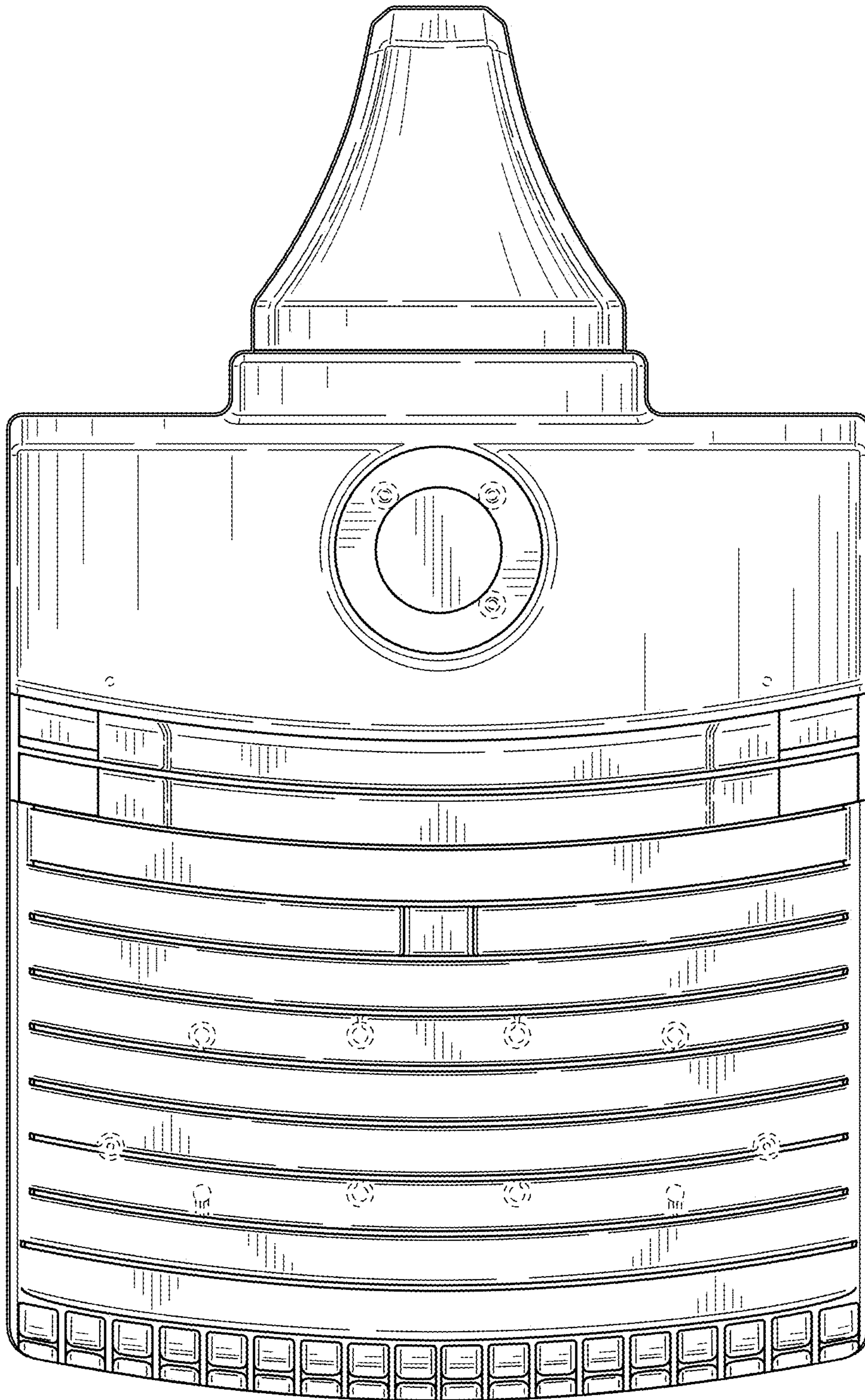


FIG. 6

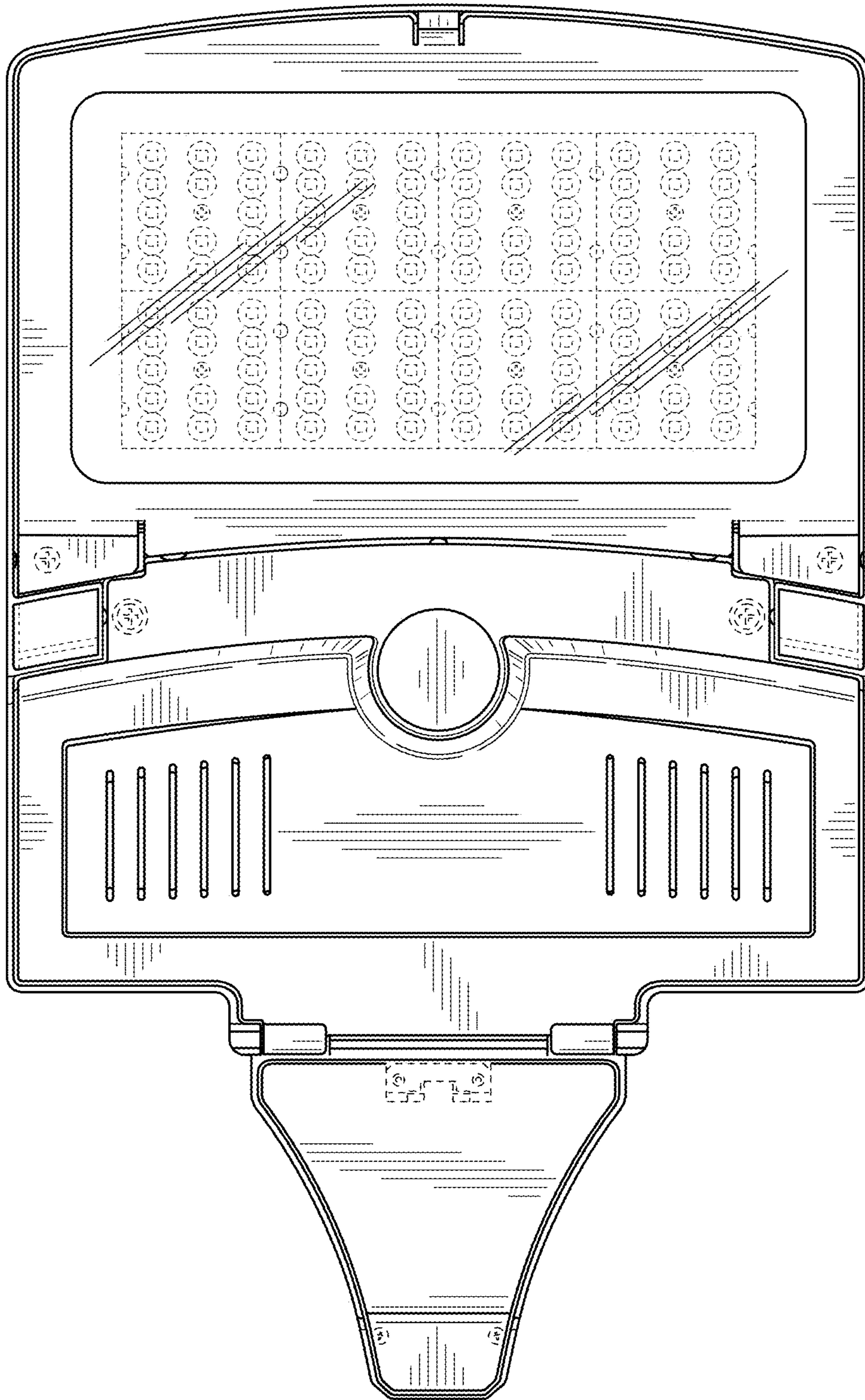


FIG. 7