



US00D891681S

(12) **United States Design Patent**
Amato et al.

(10) **Patent No.:** **US D891,681 S**

(45) **Date of Patent:** **** Jul. 28, 2020**

(54) **LIGHTING FIXTURE**

- (71) Applicant: **The Urban Electric Company**, North Charleston, SC (US)
- (72) Inventors: **Michael Amato**, London (GB); **David Dawson**, Charleston, SC (US); **Jonathan Charpia**, Summerville, SC (US); **Joeangel Casanova**, North Charleston, SC (US); **Christopher Roof**, Charleston, SC (US); **Brianna Magagnoli**, North Charleston, SC (US); **Janis Golubeckis**, Mount Pleasant, SC (US)
- (73) Assignee: **The Urban Electric Company**, North Charleston, SC (US)

(**) Term: **15 Years**

(21) Appl. No.: **29/671,917**

(22) Filed: **Nov. 30, 2018**

(51) **LOC (12) Cl.** **26-03**

(52) **U.S. Cl.**
USPC **D26/89**

(58) **Field of Classification Search**
USPC D26/2, 26, 72, 80, 84, 85, 89
CPC F21S 8/03; F21S 8/04; F21S 8/043; F21S 8/086

See application file for complete search history.

(56) **References Cited**

U.S. PATENT DOCUMENTS

| | | | | | |
|------------|---|---------|----------|-------|---------|
| D252,532 S | * | 7/1979 | Glassman | | D26/80 |
| D271,241 S | * | 11/1983 | Vrignaud | | D26/104 |
| D620,178 S | * | 7/2010 | Sabernig | | D26/84 |
| D620,180 S | * | 7/2010 | Sabernig | | D26/84 |
| D626,275 S | * | 10/2010 | Sabernig | | D26/85 |
| D643,964 S | * | 8/2011 | Heyrman | | D26/85 |
| D813,438 S | * | 3/2018 | Vyvey | | D26/72 |
| D853,008 S | * | 7/2019 | Joyeux | | D26/72 |

OTHER PUBLICATIONS

- CUBISM fixture from Urban Electric © 2020 (Year: 2020).*
- Blaze LED Wall Sconce/Flushmount by Modern Forms, available at lumens.com visited Jun. 4, 2020. (Year: 2020).*
- Vintage Smoked Lucite Cube Globe Lamp circa 1970 from 1stdibs.com visited Jun. 4, 2020. (Year: 1979).*
- Mid-Century Modern Laurel Lamp in a Yellow Lucite Cube manufactured in the 1960s, from 1stdibs.com visited Jun. 4, 2020. (Year: 1969).*

* cited by examiner

Primary Examiner — Clare E Heffin

(74) *Attorney, Agent, or Firm* — Haynsworth Sinkler Boyd, P.A.

(57) **CLAIM**

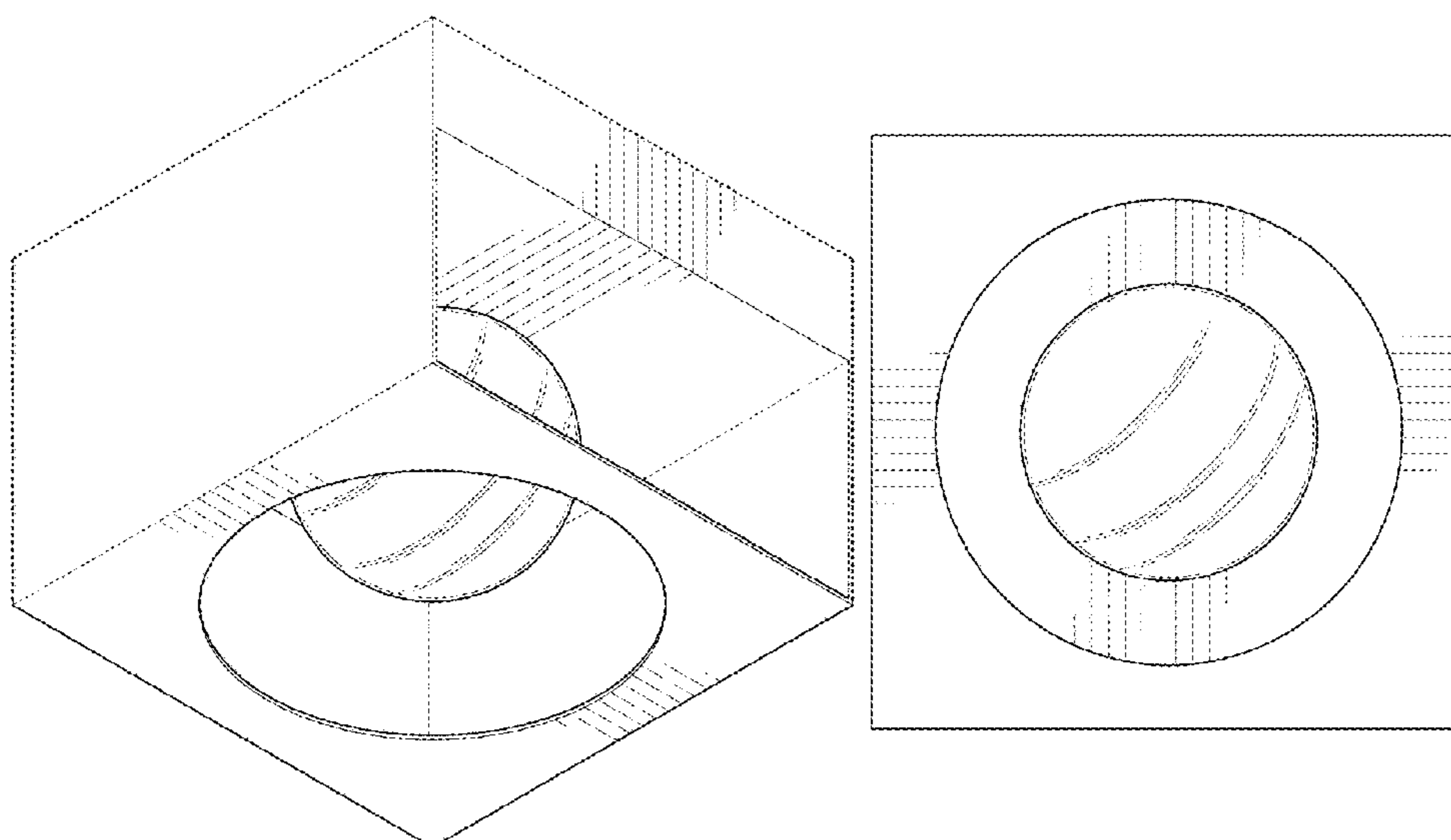
The ornamental design for a lighting fixture, as shown and described.

DESCRIPTION

FIG. 1 is a bottom perspective view of a lighting fixture depicting a new design;
 FIG. 2 is a top perspective view thereof;
 FIG. 3 is a front elevational view thereof;
 FIG. 4 is a back elevational view thereof;
 FIG. 5 is a left elevational view thereof;
 FIG. 6 is a right elevational view thereof;
 FIG. 7 is a bottom plan view thereof; and,
 FIG. 8 is a top plan view thereof.

The horizontal broken lines extending out beyond the perimeter of the fixture in FIGS. 3-6 are intended to demonstrate environment only and form no part of the claimed design. The remaining broken line disclosures in the views represent portions of the lighting fixture that form no part of the claimed design.

1 Claim, 8 Drawing Sheets



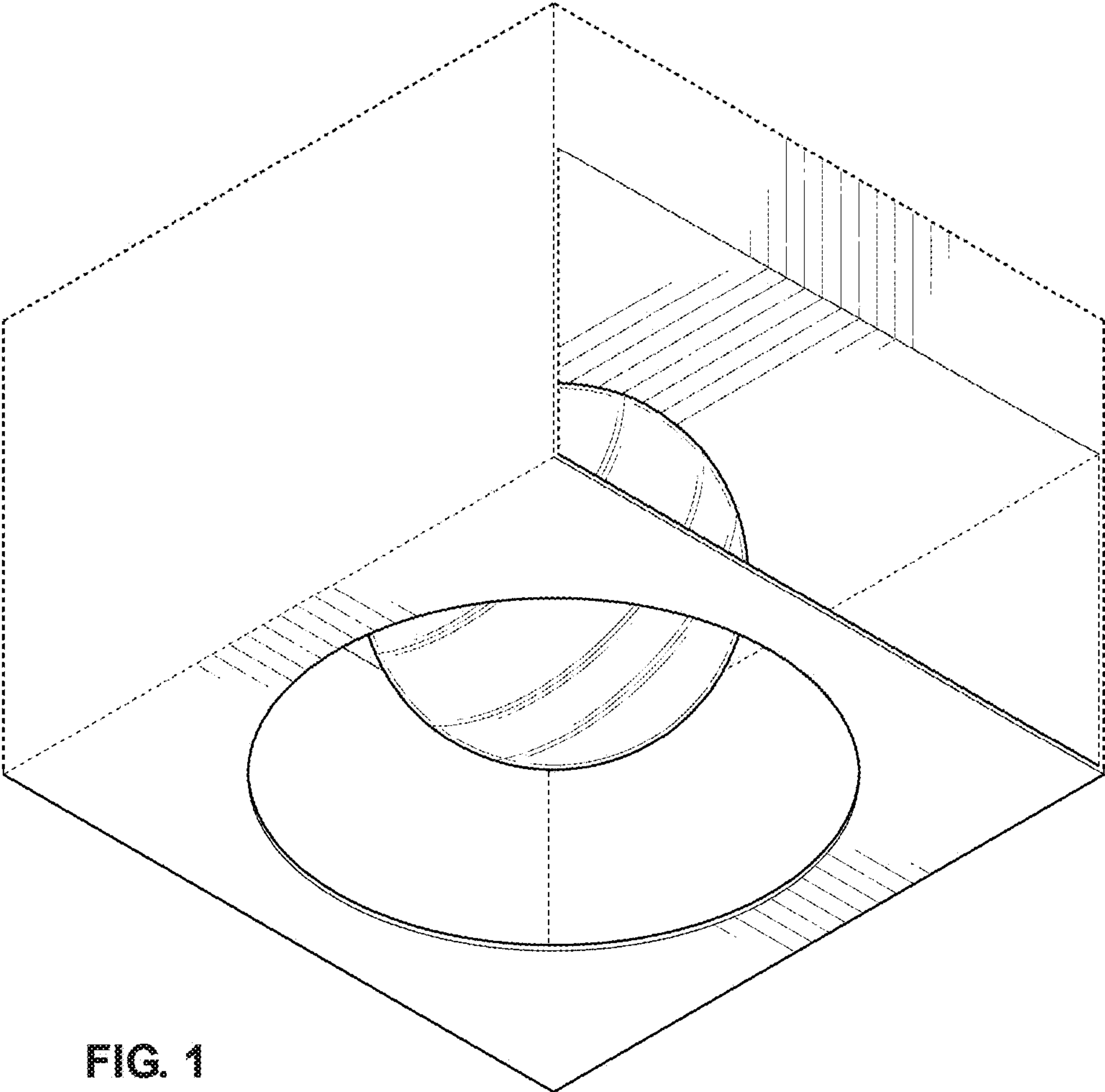


FIG. 1

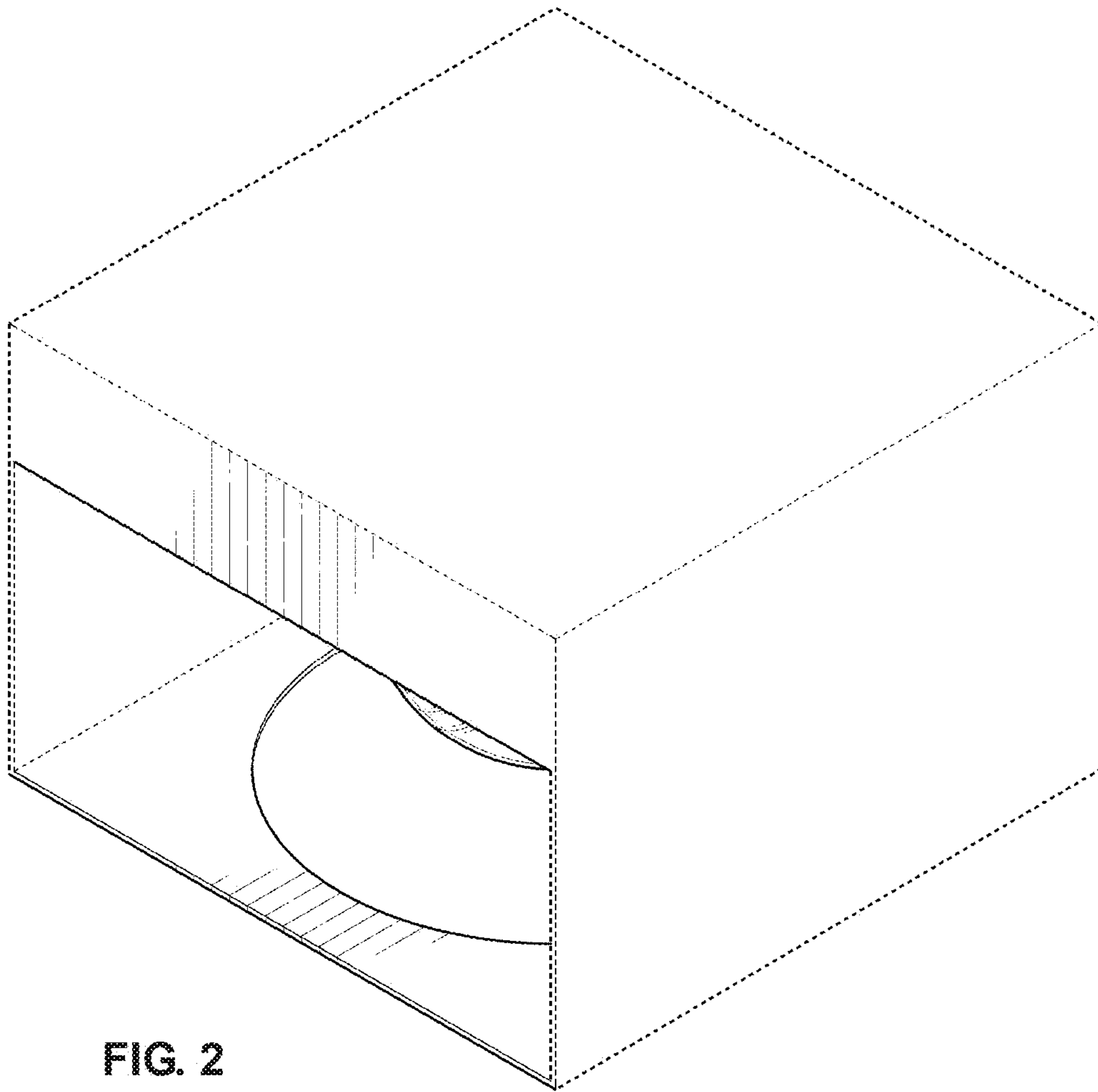


FIG. 2

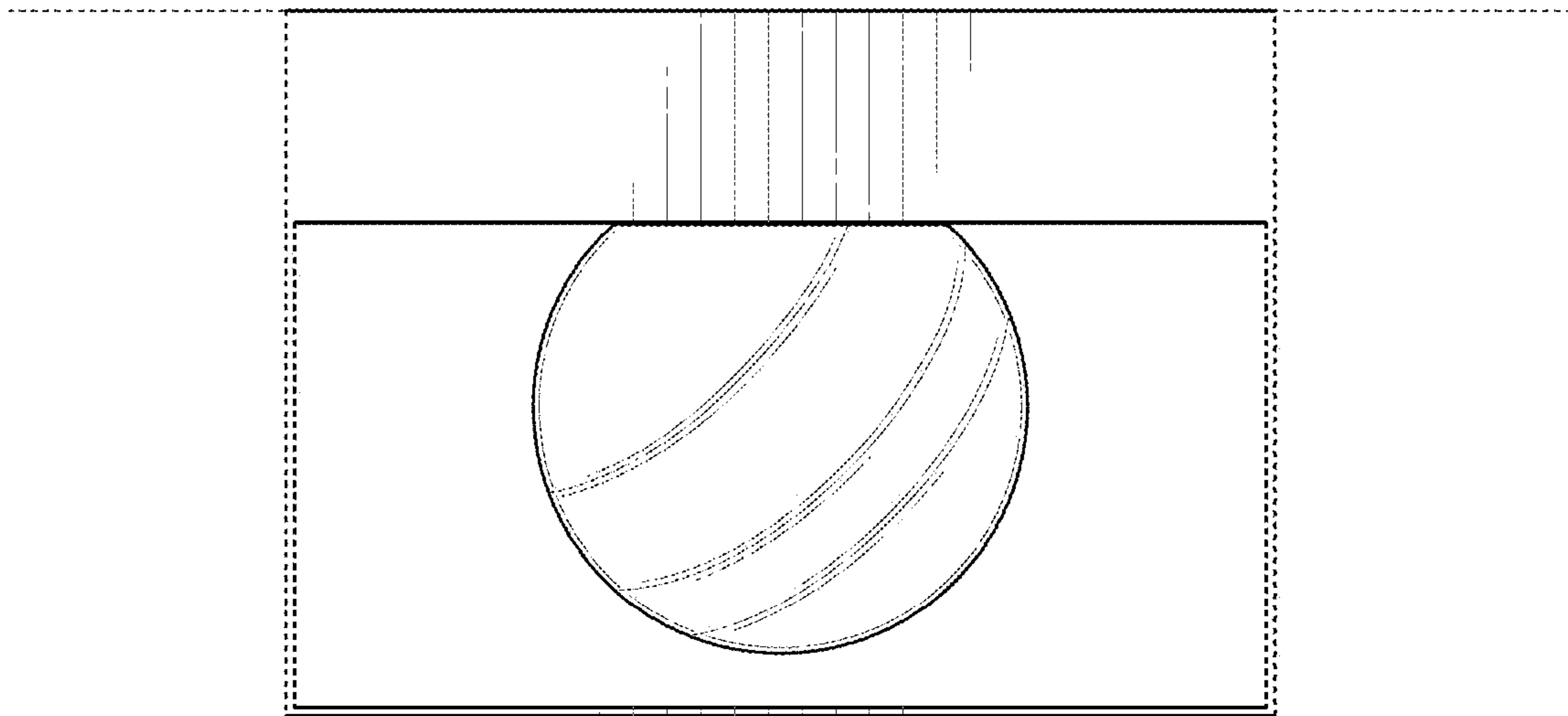


FIG. 3

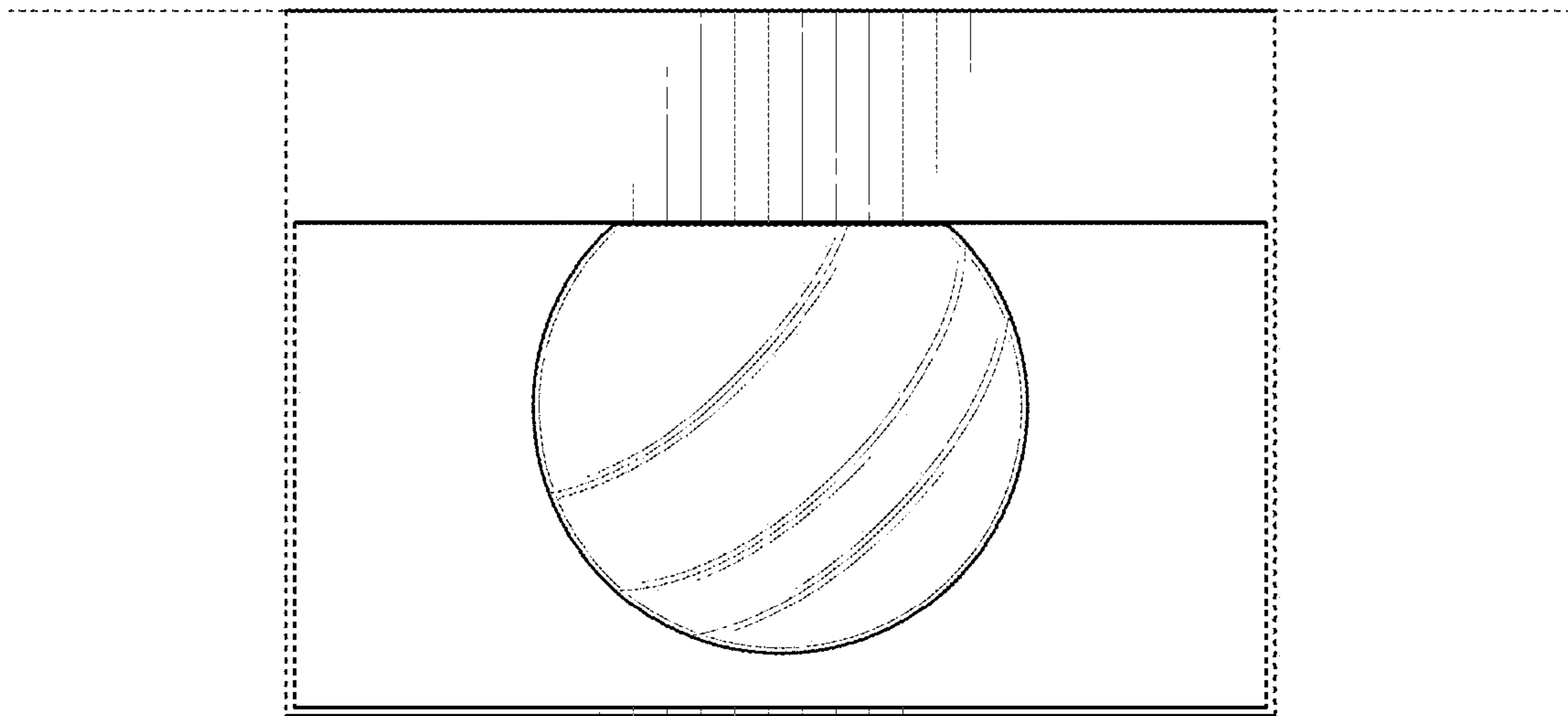


FIG. 4



FIG. 5



FIG. 6

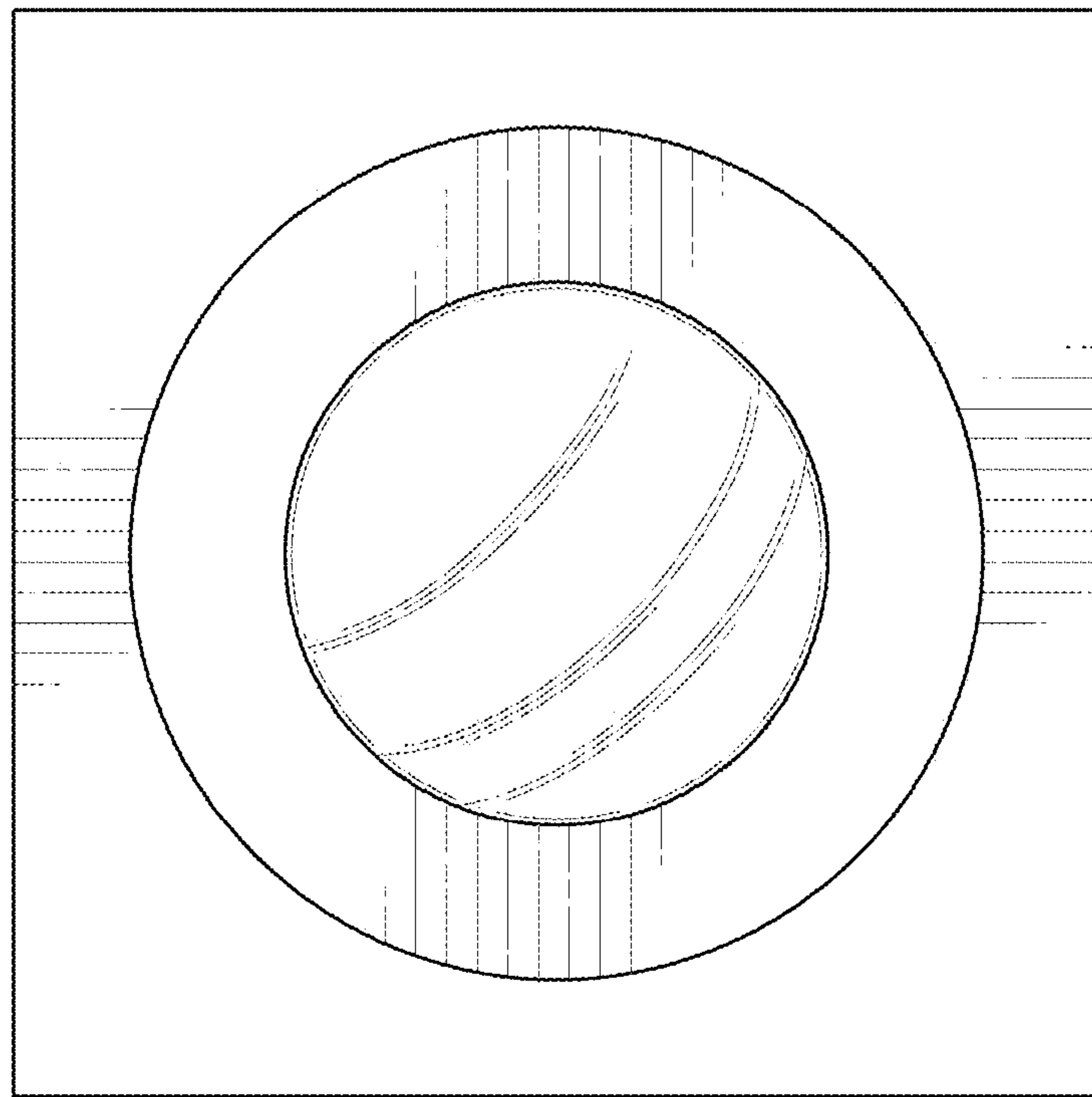


FIG. 7

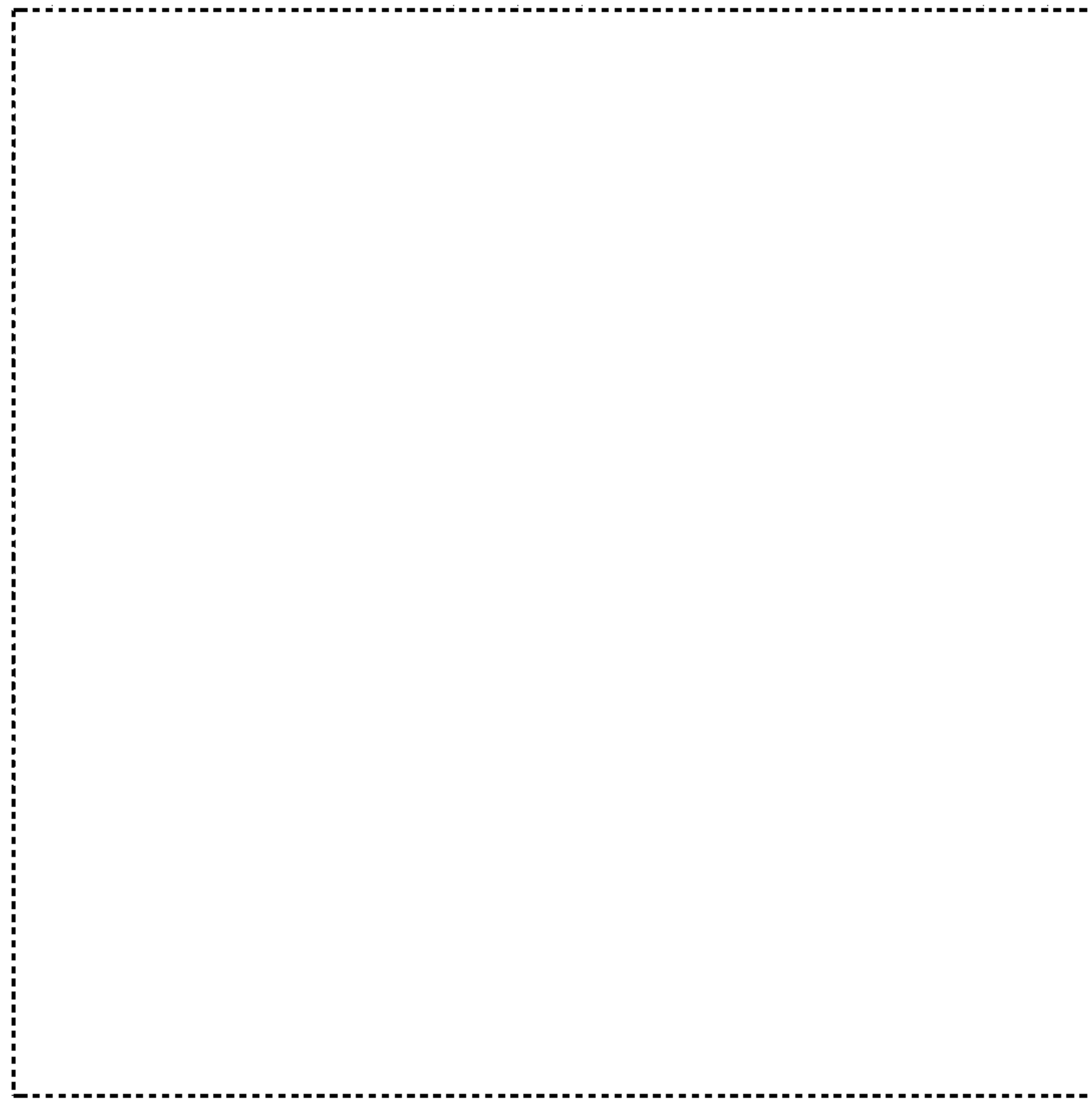


FIG. 8