



US00D891679S

(12) **United States Design Patent**  
**Cornelissen**

(10) **Patent No.:** **US D891,679 S**  
(45) **Date of Patent:** **\*\* Jul. 28, 2020**

- (54) **LUMINAIRE**
- (71) Applicant: **Beta-Calco Inc.**, Toronto (CA)
- (72) Inventor: **Serge C. R. H. Cornelissen**, Kortrijk-Marke (BE)
- (73) Assignee: **Beta-Calco, Inc.**, Toronto (CA)
- (\*\*) Term: **15 Years**
- (21) Appl. No.: **29/668,543**
- (22) Filed: **Oct. 31, 2018**
- (51) **LOC (12) Cl.** ..... **26-03**
- (52) **U.S. Cl.**  
USPC ..... **D26/89; D26/88**
- (58) **Field of Classification Search**  
USPC ..... D26/72, 74, 80, 83, 85, 88, 89, 90, 91  
CPC ..... F21S 8/03; F21S 8/04; F21S 8/043; F21S 8/046; F21V 21/02; F21V 21/03; F21V 21/047; F21V 21/049  
See application file for complete search history.

- D778,487 S \* 2/2017 Salomon ..... D26/138
- D790,103 S \* 6/2017 Czech ..... D26/76
- D843,633 S \* 3/2019 Zheng ..... D26/89
- D880,754 S \* 4/2020 Ross ..... D26/88

**OTHER PUBLICATIONS**

Tray® luminaire from Beta Calco. ©2020 (Year: 2020).\*

\* cited by examiner

*Primary Examiner* — Clare E Heflin

(74) *Attorney, Agent, or Firm* — Renner, Otto, Boisselle & Sklar, LLP

(57) **CLAIM**

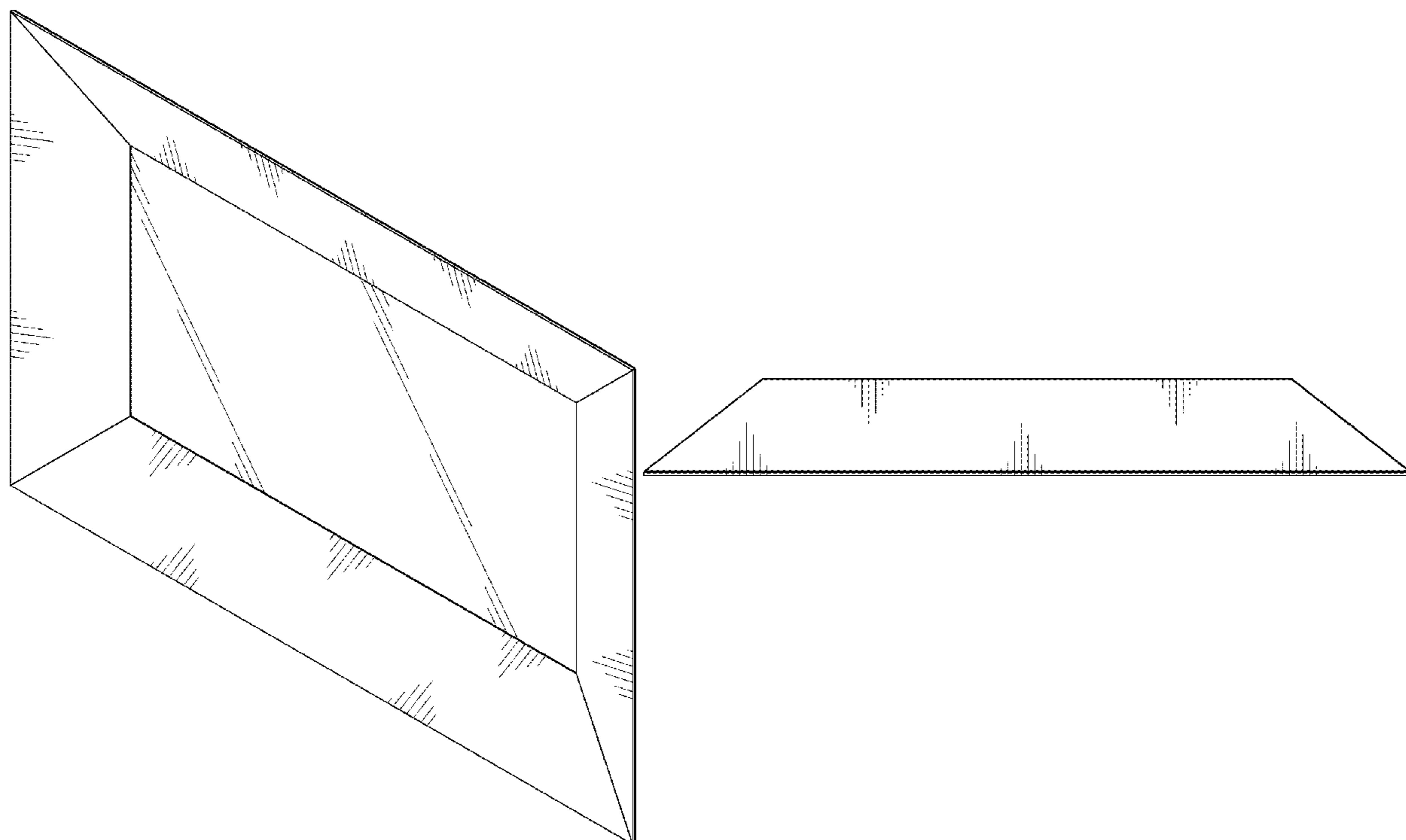
The ornamental design for a luminaire, as shown and described.

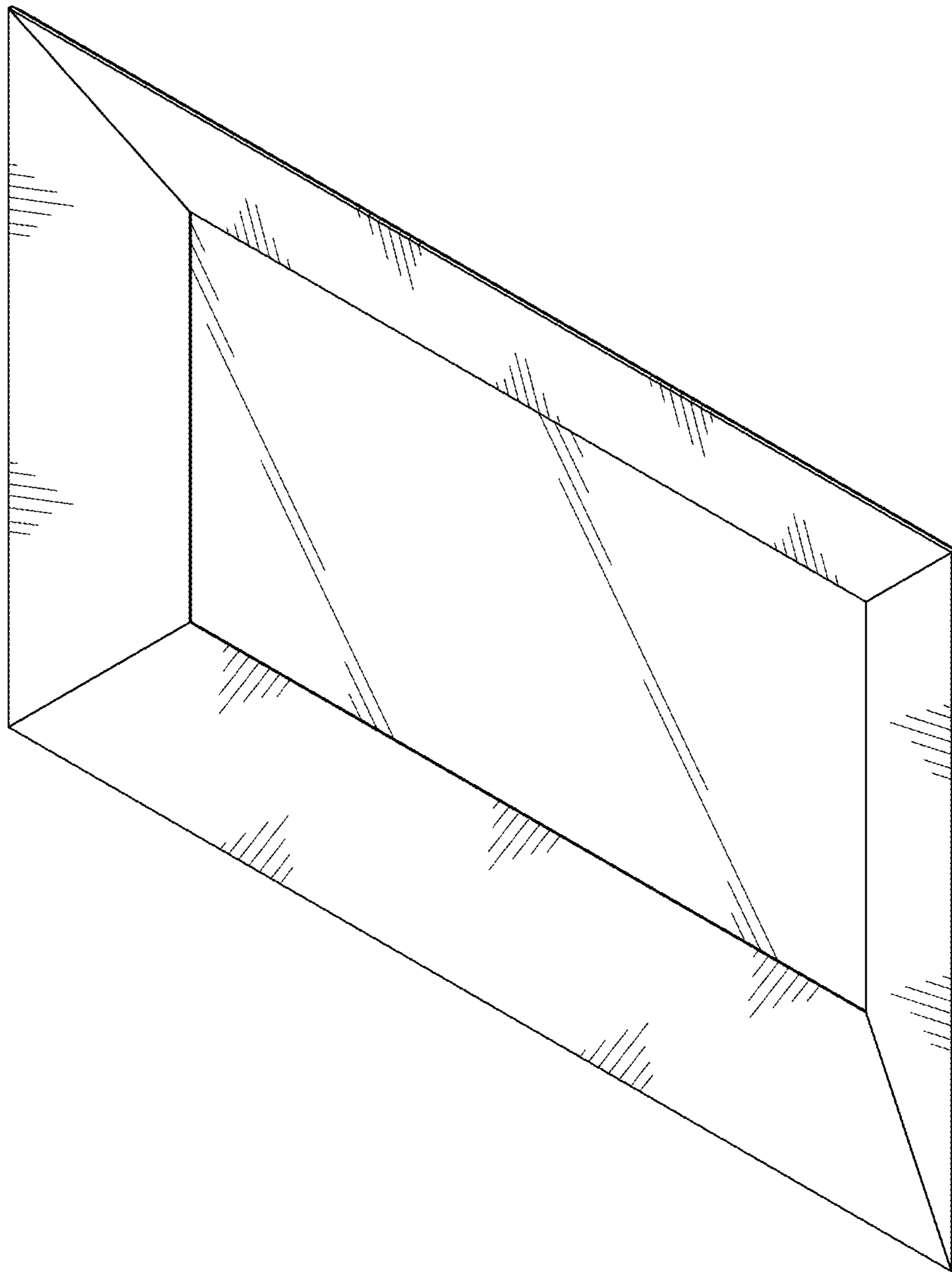
**DESCRIPTION**

FIG. 1 is a perspective view of a luminaire showing the design;  
 FIG. 2 is a top view thereof;  
 FIG. 3 is a bottom view thereof;  
 FIG. 4 is a front view thereof;  
 FIG. 5 is a rear view thereof;  
 FIG. 6 is a right side view thereof; and,  
 FIG. 7 is a left side view thereof.  
 The portions of the luminaire shown in broken lines form no part of the design.

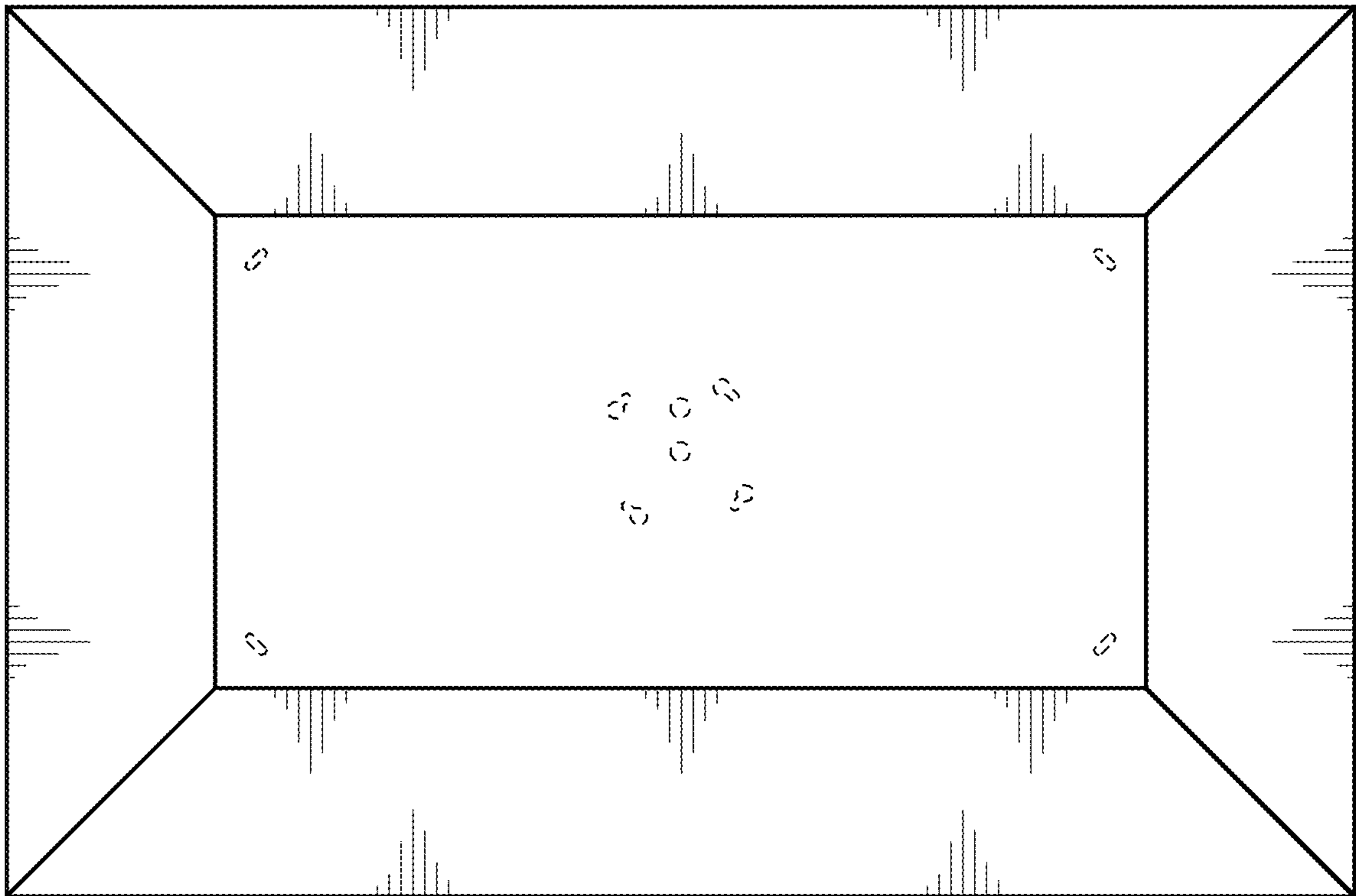
**1 Claim, 4 Drawing Sheets**

- (56) **References Cited**  
U.S. PATENT DOCUMENTS
- D155,680 S \* 10/1949 Baker ..... D26/86
- D242,063 S \* 10/1976 Manley et al. .... D26/151
- D365,159 S \* 12/1995 Tinen ..... D25/138
- D437,446 S \* 2/2001 Reo ..... D26/91
- D592,348 S \* 5/2009 Trott ..... D26/118
- 8,136,965 B2 \* 3/2012 Pickard ..... F21S 8/02  
362/294
- D690,875 S \* 10/2013 McKenzie ..... D26/118
- D766,497 S \* 9/2016 Salomon ..... D26/138





**FIG. 1**



**FIG. 2**

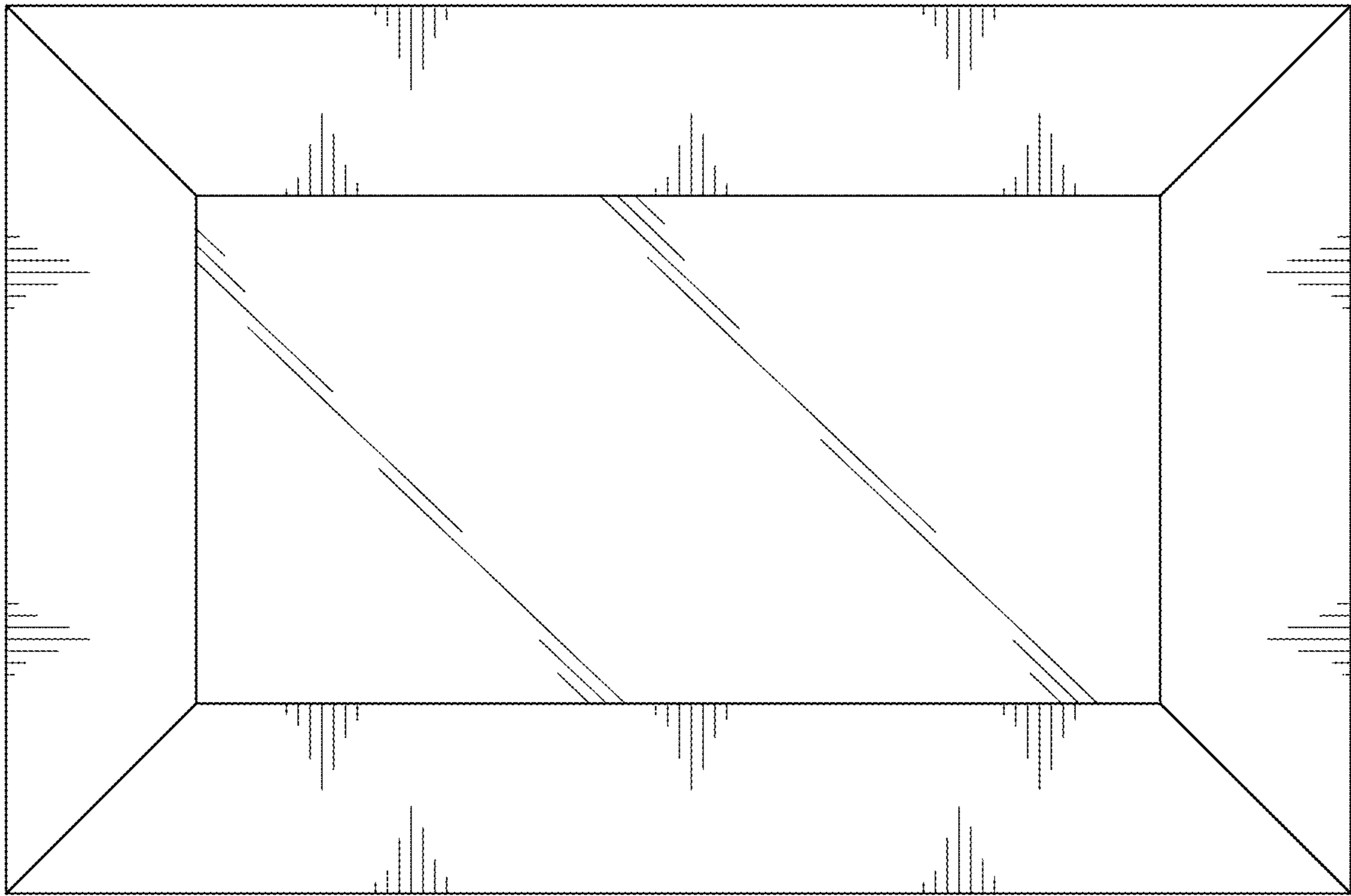
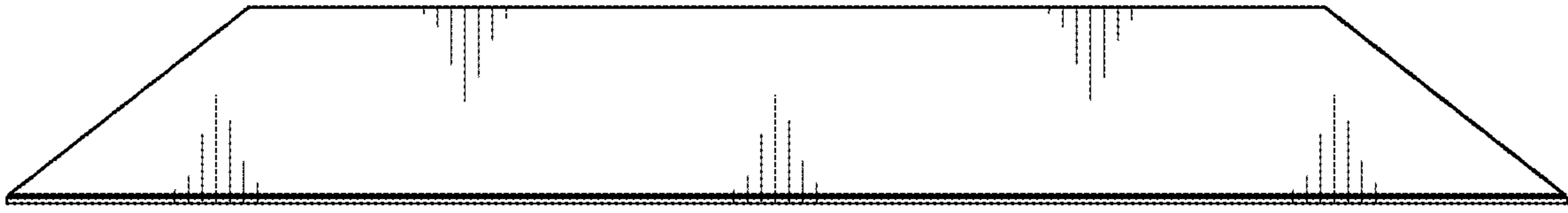
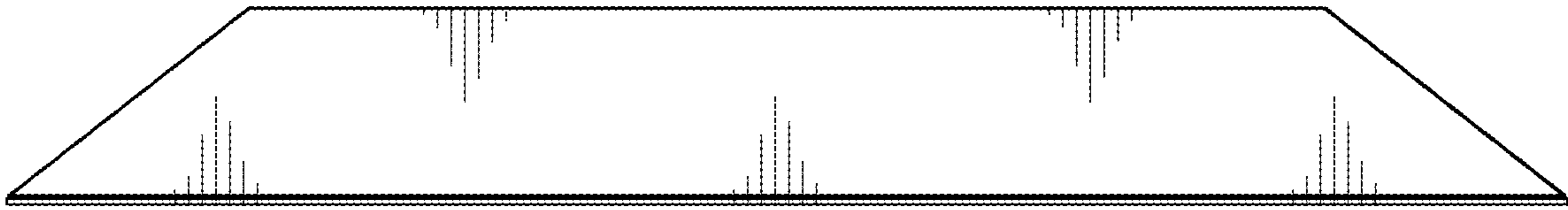


FIG. 3



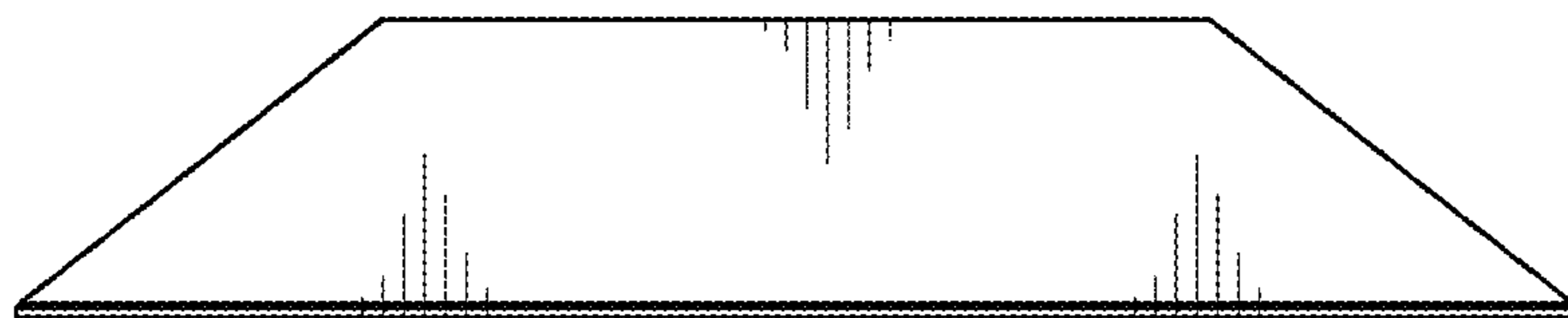
**FIG. 4**



**FIG. 5**



**FIG. 6**



**FIG. 7**