



US00D891675S

(12) **United States Design Patent** (10) **Patent No.:** **US D891,675 S**
Liu (45) **Date of Patent:** **** Jul. 28, 2020**

(54) **INDUCTION LAMP**
(71) Applicant: **Dongguan Chuan OptoElectronics Limited, Dongguan (CN)**
(72) Inventor: **Yiquan Liu, Dongguan (CN)**
(**) Term: **15 Years**

D457,667 S * 5/2002 Piegras D26/26
D459,502 S * 6/2002 Chen D26/26
D523,972 S * 6/2006 Chan D26/26
D564,697 S * 3/2008 Akinrele D26/118
D569,030 S * 5/2008 Lee D26/85
D668,375 S * 10/2012 Daniels D26/89
D820,123 S * 6/2018 Chou D10/70
D851,807 S * 6/2019 Wu D26/85
D868,339 S * 11/2019 Recker D26/85
D873,448 S * 1/2020 Zhang D26/26

(21) Appl. No.: **29/684,073**

(22) Filed: **Mar. 18, 2019**

(30) **Foreign Application Priority Data**

Jan. 25, 2019 (CN) 2019 3 0042428

(51) **LOC (12) Cl.** **26-05**

(52) **U.S. Cl.**
USPC **D26/85**

(58) **Field of Classification Search**
USPC D10/106.6, 106.8; D26/51, 60, 72, 78,
D26/80, 81, 82, 85, 86, 88
CPC F21S 8/03; F21S 8/003; F21S 8/036; F21S
8/037; F21S 9/022; F21S 9/024; F21S
9/03; F21S 9/037; F21S 13/02; F21S
13/10; F21S 13/14; F21W 2131/107;
G08B 13/193

See application file for complete search history.

(56) **References Cited**

U.S. PATENT DOCUMENTS

D336,144 S * 6/1993 Galati D26/26
D412,040 S * 7/1999 Hudak D26/85
6,042,251 A * 3/2000 McCarthy F21S 8/033
362/147

OTHER PUBLICATIONS

Supply LED light control human induction lamp (available online)
Retrieved from the internet May 28, 2020 from URL: <https://en.yiwugo.com/product/detail/929362452.html>.*

* cited by examiner

Primary Examiner — Kevin K Rudzinski

Assistant Examiner — Richard Kearney

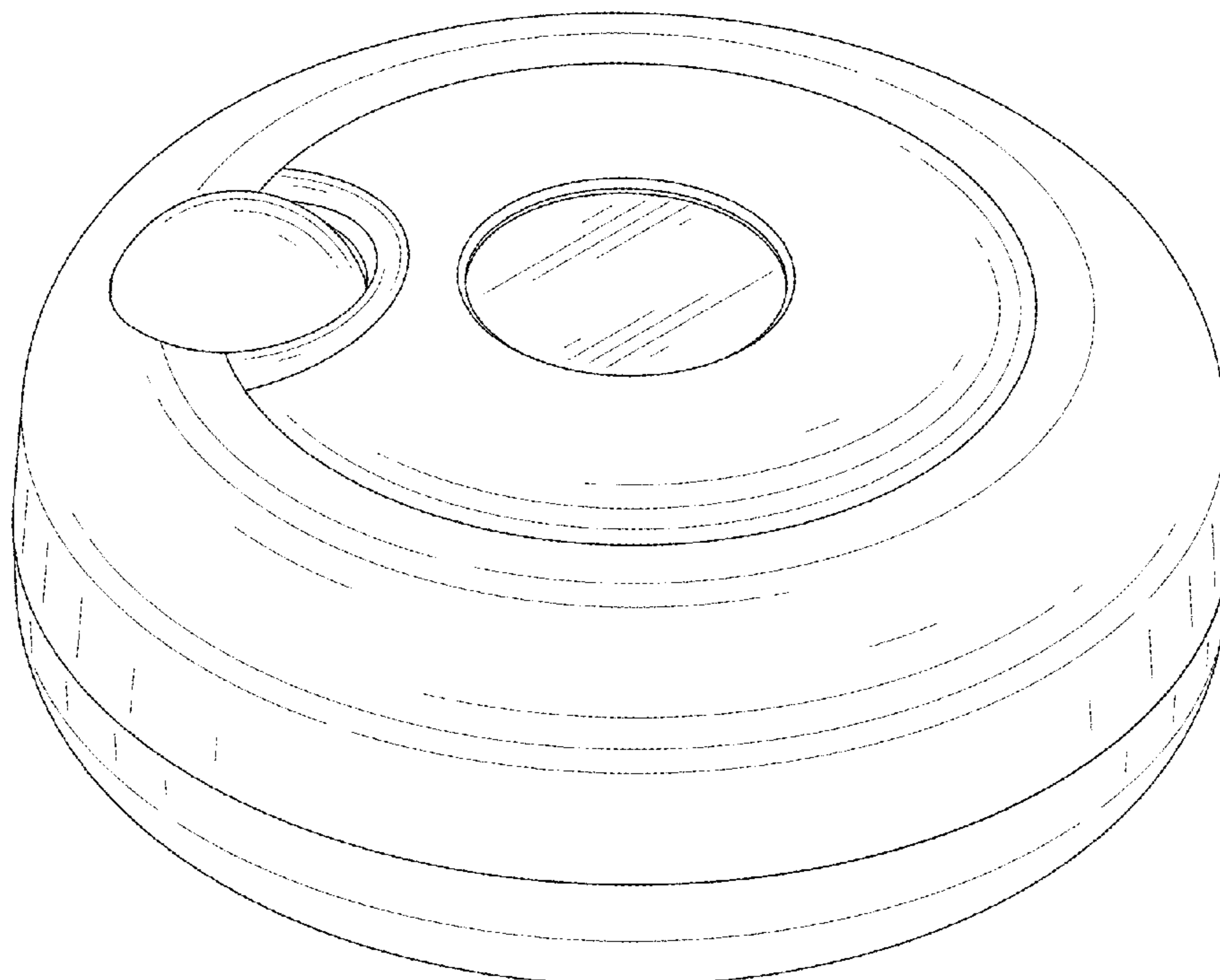
(57) **CLAIM**

The ornamental design for an induction lamp, as shown and described.

DESCRIPTION

FIG. 1 is a bottom, front and right side perspective view of an induction lamp showing my new design;
FIG. 2 is a top, rear and left side perspective view thereof;
FIG. 3 is a front elevational view thereof;
FIG. 4 is a rear elevational view thereof;
FIG. 5 is a left side elevational view thereof;
FIG. 6 is a right side elevational view thereof;
FIG. 7 is a top plan view thereof; and,
FIG. 8 is a bottom plan view thereof.

1 Claim, 8 Drawing Sheets



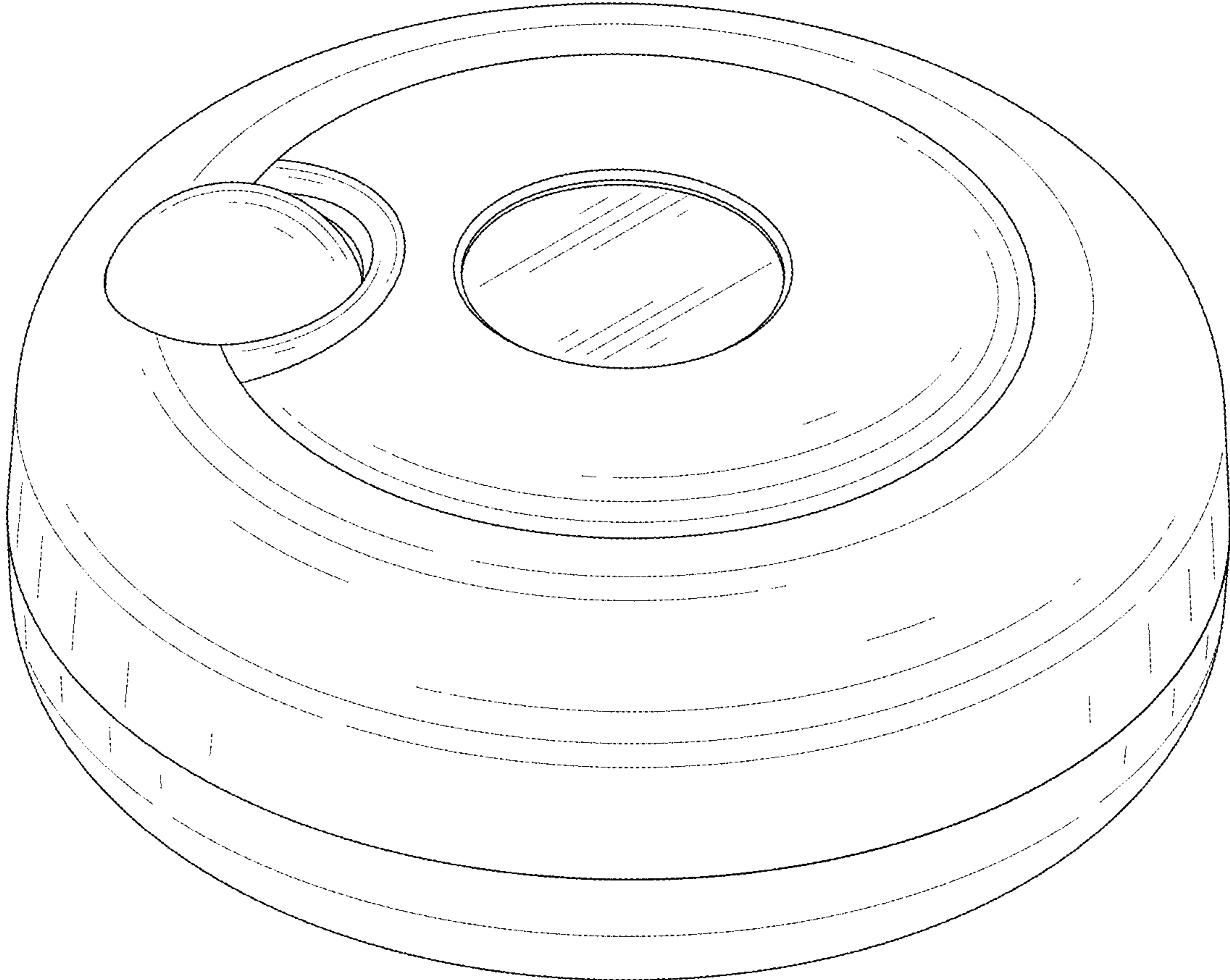


FIG. 1

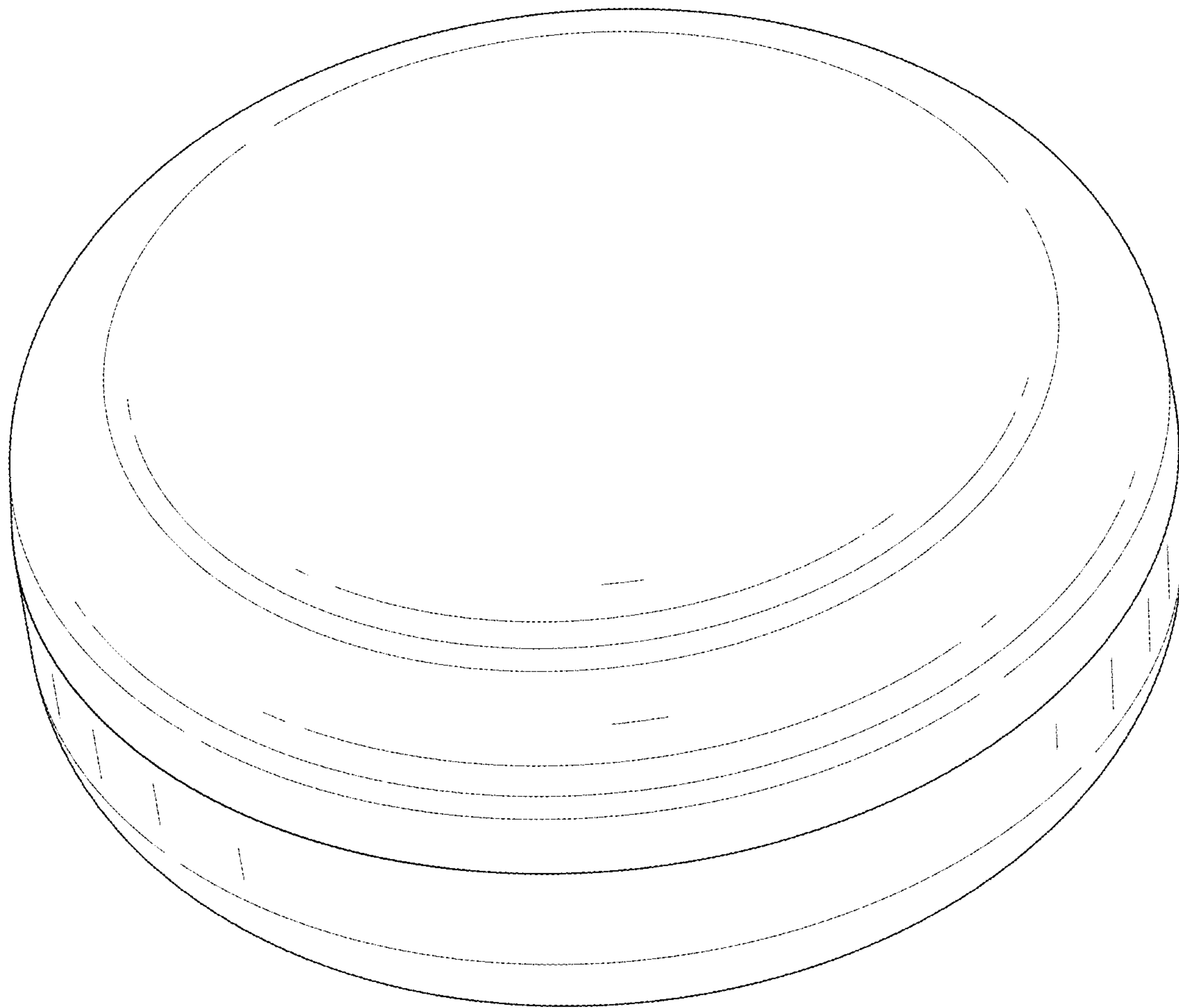


FIG. 2

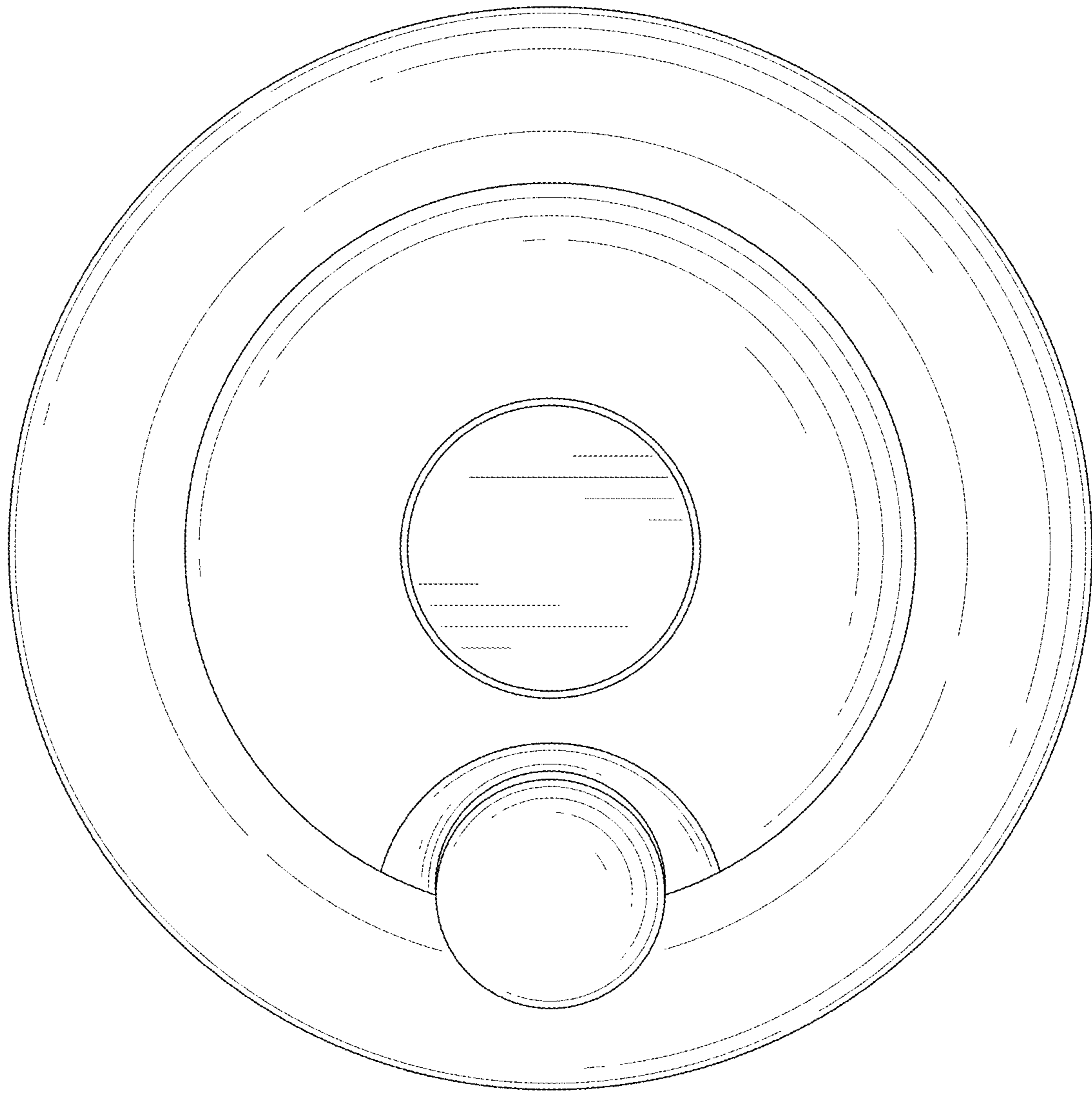


FIG. 3

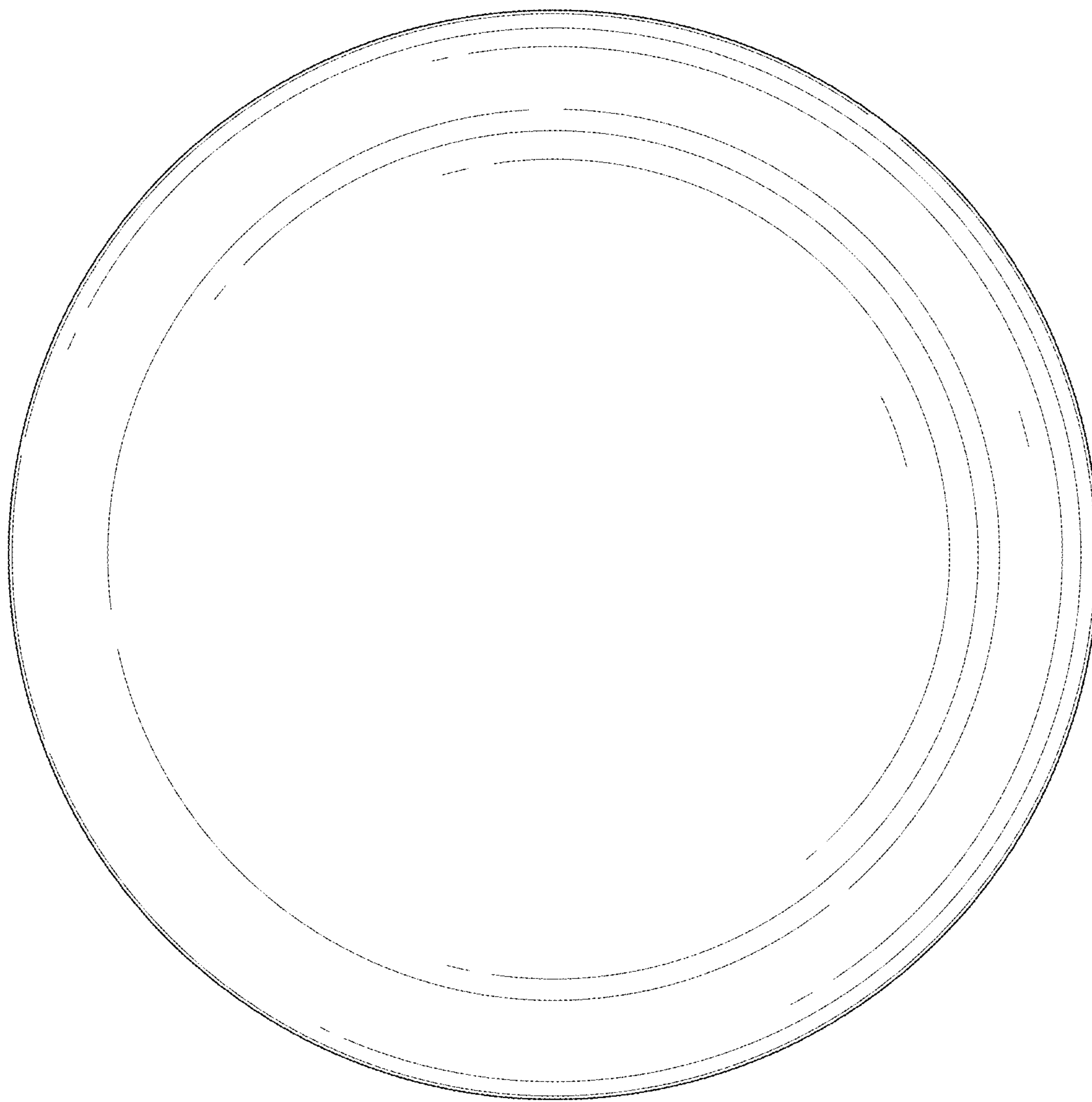


FIG. 4

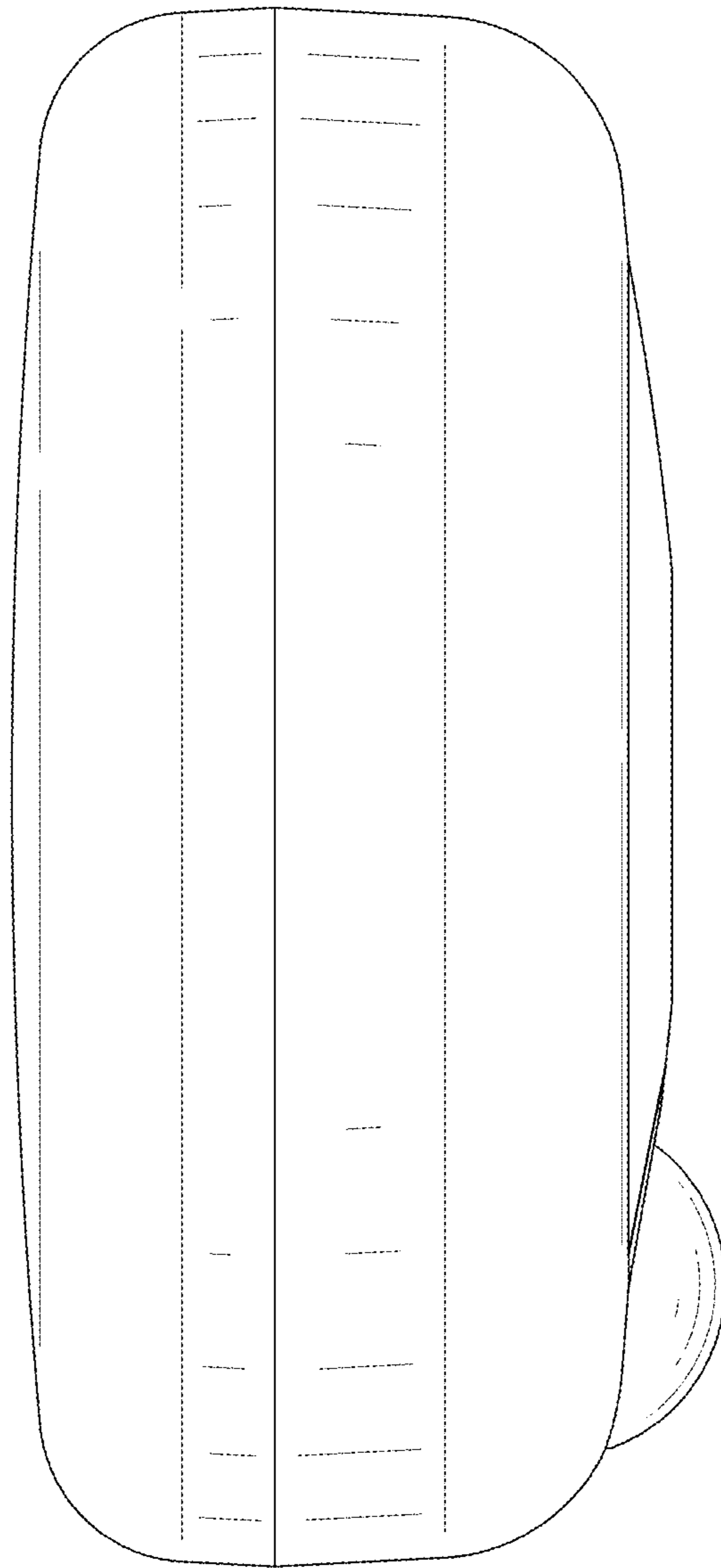


FIG. 5

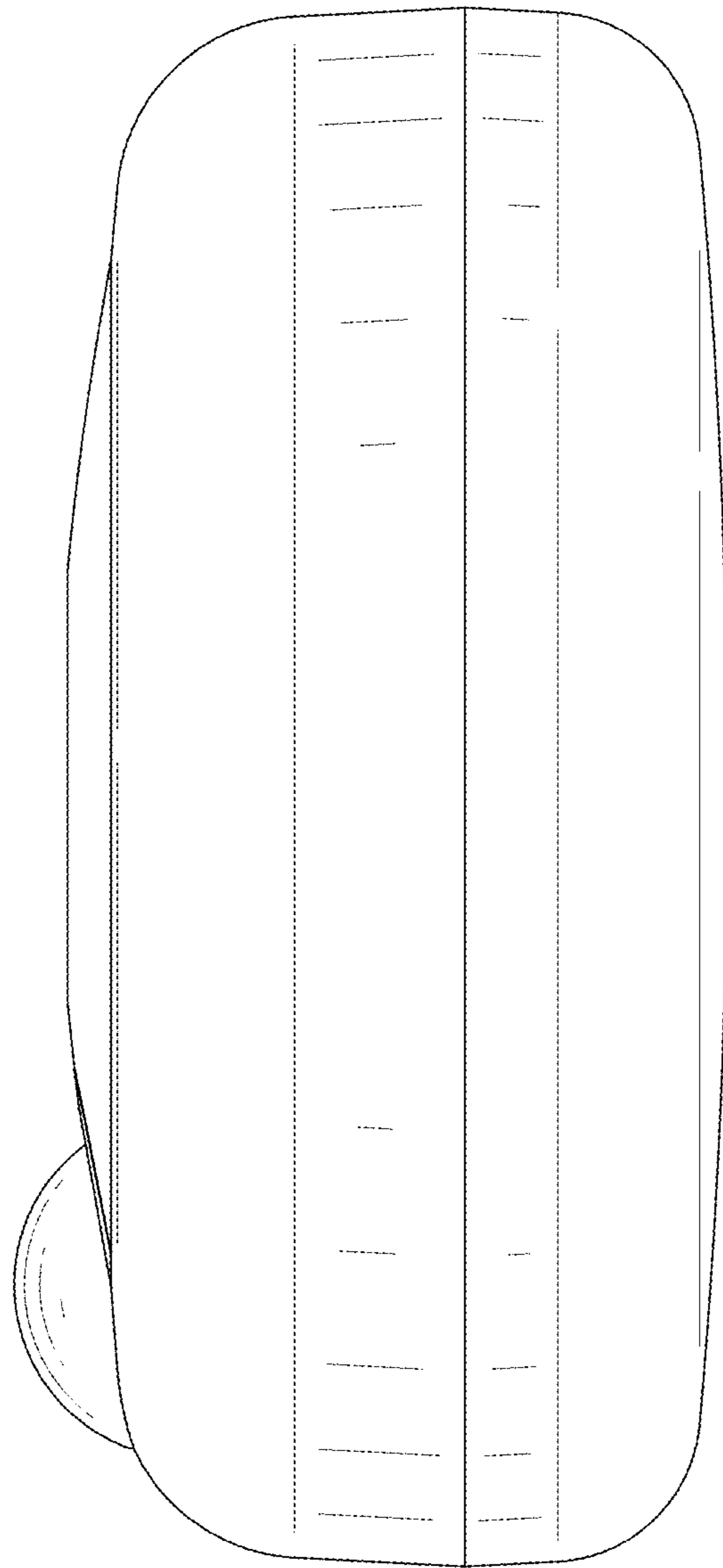


FIG. 6

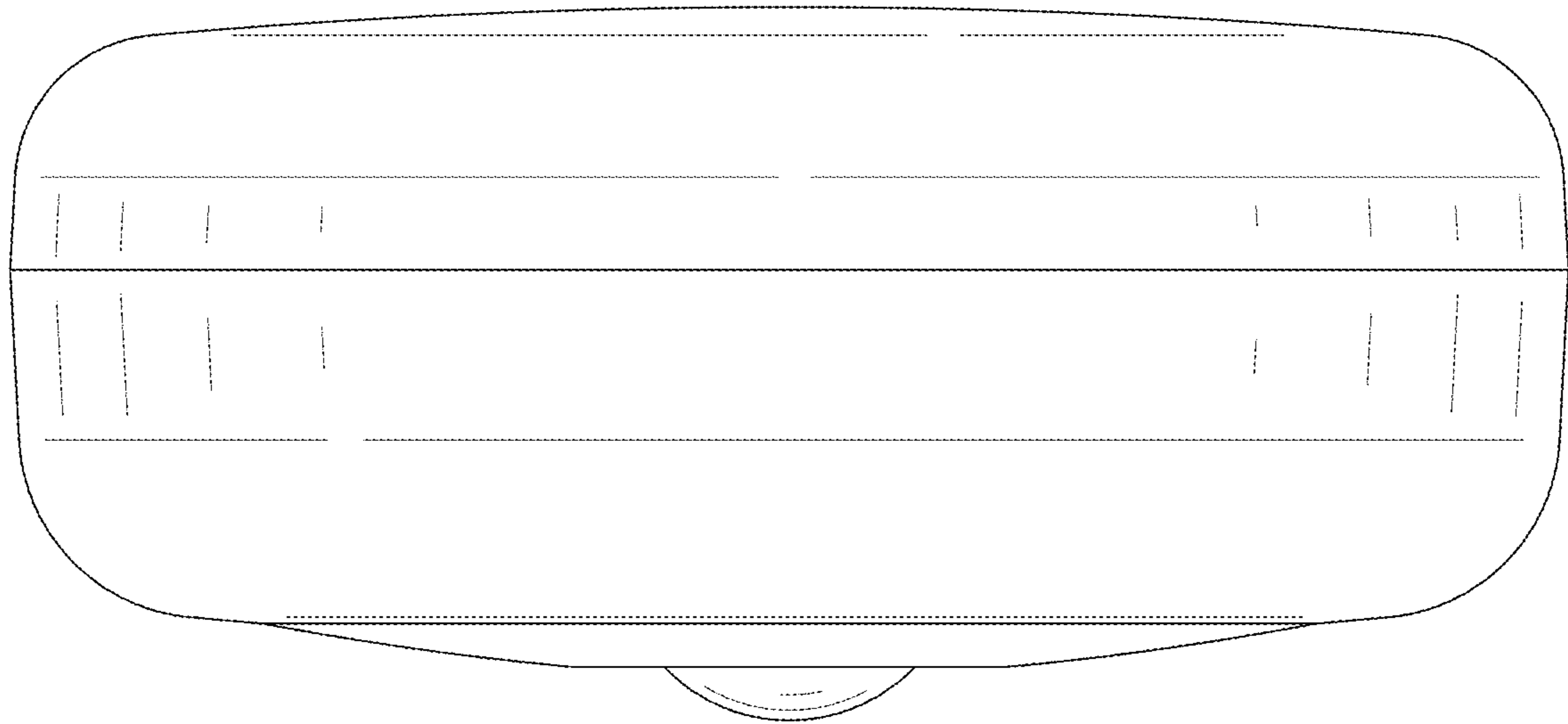


FIG. 7

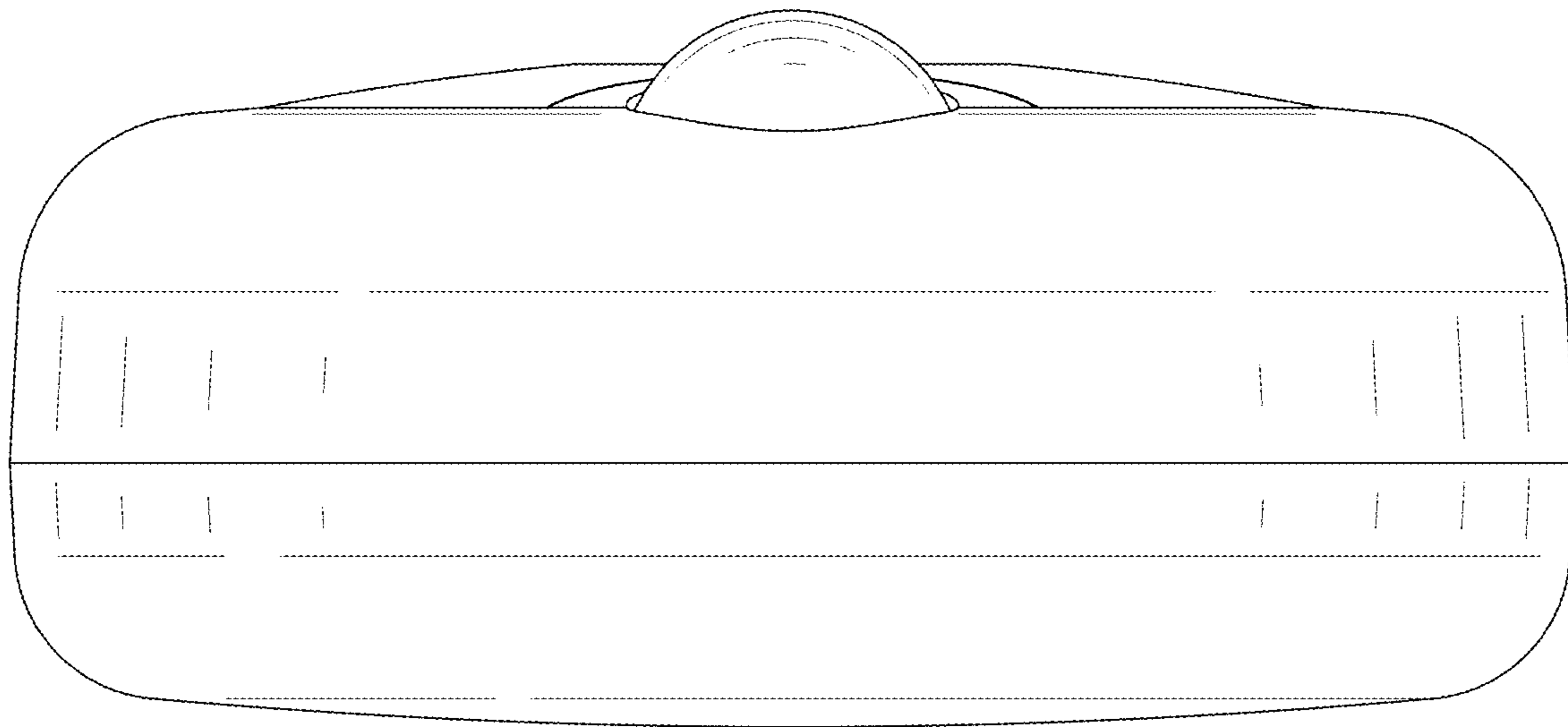


FIG. 8