



US00D891673S

(12) **United States Design Patent**  
**Richardson et al.**

(10) **Patent No.:** **US D891,673 S**  
(45) **Date of Patent:** **\*\* Jul. 28, 2020**

(54) **LIGHT**

(71) Applicant: **RBW STUDIO, LLC**, Brooklyn, NY (US)

(72) Inventors: **Theodore Richardson**, Brooklyn, NY (US); **Charles Brill**, Brooklyn, NY (US); **Alexander Williams**, Brooklyn, NY (US); **Barry Richards**, New York, NY (US); **David Rockwell**, New York, NY (US)

(73) Assignee: **RBW STUDIO, LLC**, Brooklyn, NY (US)

(\*\*) Term: **15 Years**

(21) Appl. No.: **29/671,751**

(22) Filed: **Nov. 29, 2018**

**Related U.S. Application Data**

(63) Continuation of application No. 29/602,669, filed on May 2, 2017, now Pat. No. Des. 837,435.

(51) **LOC (12) Cl.** ..... **26-03**

(52) **U.S. Cl.**  
USPC ..... **D26/85; D26/86**

(58) **Field of Classification Search**  
USPC ..... D26/72, 80-92, 118  
CPC .... F21S 8/03; F21S 8/033; F21S 8/036; F21S 8/037; F21S 8/038; F21S 8/04; F21S 8/043; F21S 8/046; F21S 8/06; F21S 8/061; F21S 8/063; F21S 8/065; F21S 8/068

See application file for complete search history.

(56) **References Cited**

**U.S. PATENT DOCUMENTS**

D165,153 S \* 11/1951 Gregg ..... D26/86  
D235,914 S \* 7/1975 Schacht ..... D26/84

D241,066 S \* 8/1976 Schacht ..... D26/81  
D252,531 S \* 7/1979 Glassman ..... D26/80  
D252,532 S \* 7/1979 Glassman ..... D26/80  
D252,594 S \* 8/1979 Glassman ..... D26/80  
D304,863 S \* 11/1989 Ohai ..... D26/85  
D445,949 S \* 7/2001 Dolan ..... D26/155  
D579,601 S \* 10/2008 Montalbano ..... D26/85  
D583,978 S \* 12/2008 Duffy ..... D26/85  
D626,271 S \* 10/2010 Verelst ..... D26/85  
D691,319 S \* 10/2013 Guercio ..... D26/85  
D729,431 S \* 5/2015 Miller ..... D26/88  
D760,420 S \* 6/2016 Tomlinson ..... D26/81  
D792,998 S \* 7/2017 Sonneman ..... D26/85  
D795,487 S \* 8/2017 Sonneman ..... D26/85  
D816,880 S \* 5/2018 Mou ..... D26/85

(Continued)

**OTHER PUBLICATIONS**

“Rich Brilliant Willing” Press Release dated Mar. 17, 2016 for the Notch wall sconce. (Year: 2016).\*

(Continued)

*Primary Examiner* — Clare E Heflin

(74) *Attorney, Agent, or Firm* — Saidman DesignLaw Group, LLC

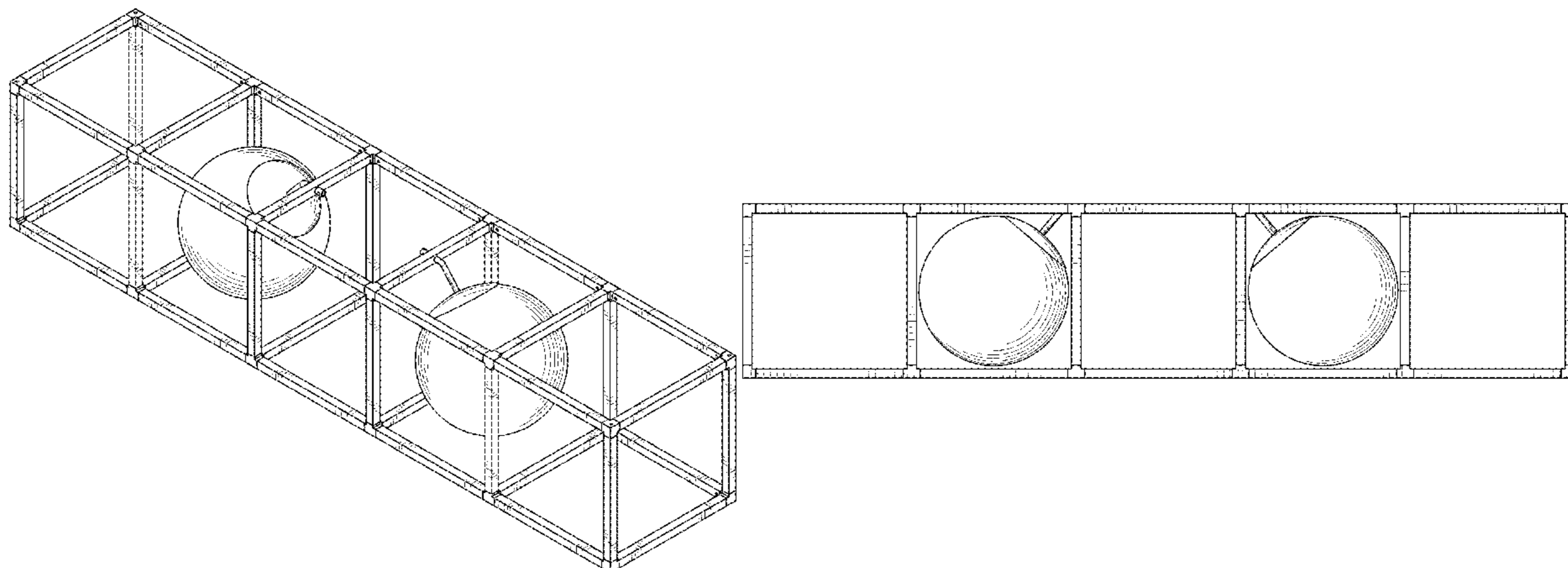
(57) **CLAIM**

The ornamental design for a light, as shown and described.

**DESCRIPTION**

FIG. 1 is a perspective view of a light showing our new design;  
FIG. 2 is a front elevational view thereof;  
FIG. 3 is a rear elevational view thereof;  
FIG. 4 is a left side elevational view thereof;  
FIG. 5 is a right side elevational view thereof;  
FIG. 6 is a top plan view thereof; and,  
FIG. 7 is a bottom plan view thereof.  
The drawings include surface shading which illustrates contour and not surface ornamentation.

**1 Claim, 3 Drawing Sheets**



(56)

**References Cited**

U.S. PATENT DOCUMENTS

D825,090 S \* 8/2018 Richardson ..... D26/84  
D828,945 S \* 9/2018 Crocker ..... D26/81  
D837,435 S \* 1/2019 Richardson ..... D26/82  
2015/0116998 A1 \* 4/2015 Feit ..... F21V 29/70  
362/235

OTHER PUBLICATIONS

Triform Compact Outdoor LED Wall Sconce by Sonneman Lighting. Found at [ylighting.com](http://ylighting.com) visited Mar. 12, 2019. (Year: 2019).\*

Possini Euro Cutout Brushed Aluminum Wall sconce—Style No. 72660. Available at [lampsplus.com](http://lampsplus.com) as early as Jan. 10, 2011. (Year: 2011).\*

Press News from <https://richbrilliantwilling.com/blogs/press/118395205-icff-2016> showing the Architectural Record Article by Julie Taraska dated May 1, 2016 which shows the “Witt” pendant/chandelier. (Year: 2016).\*

Witt Chandelier shown on p. 229 of the Architectural Record May 2016 Issue, “ProductsLighting” feature titled ‘Joining Forces’ by Julie Taraska. (Year: 2016).\*

\* cited by examiner

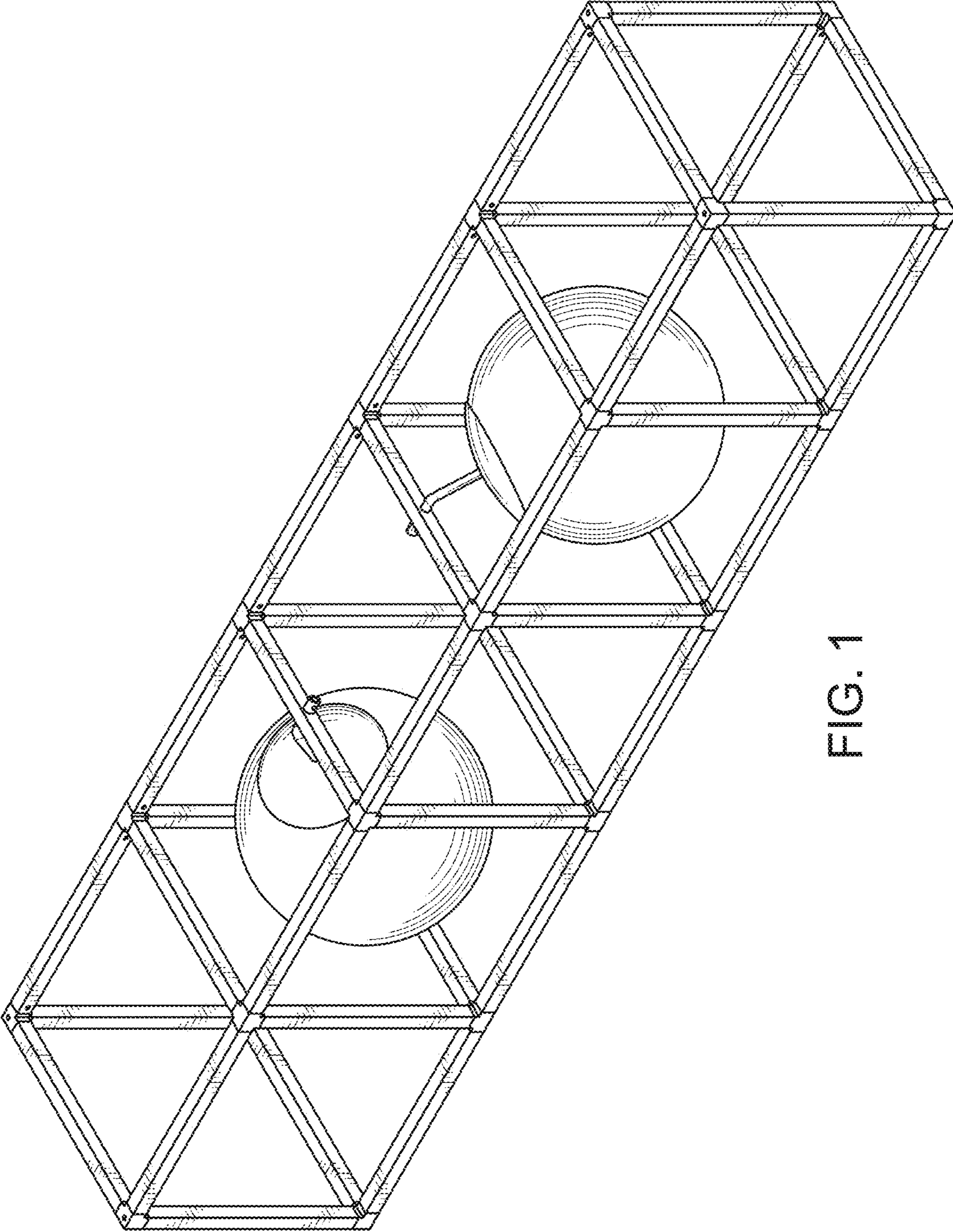


FIG. 1

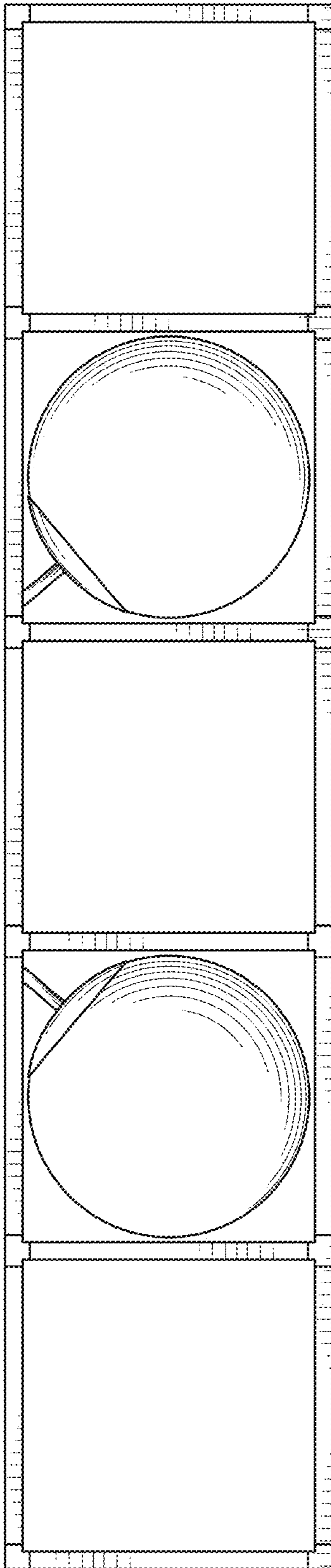


FIG. 2

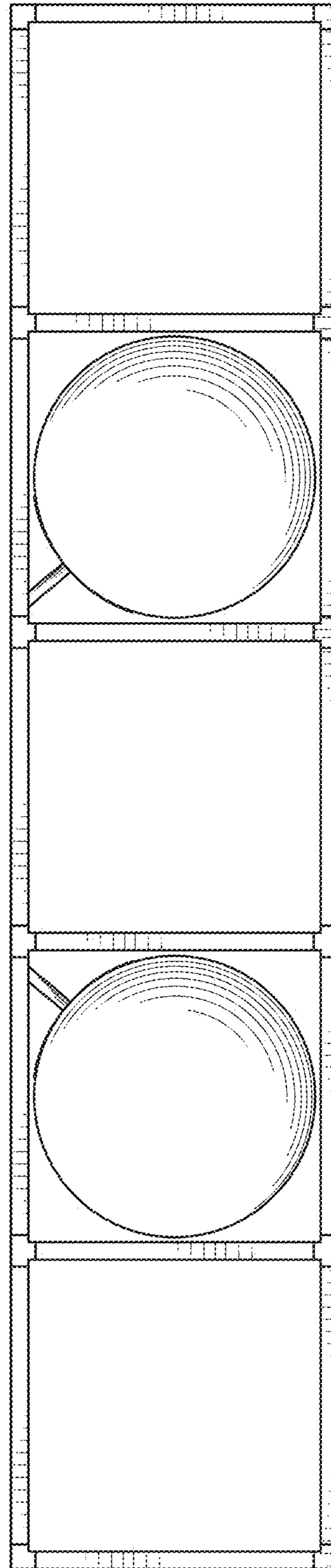


FIG. 3

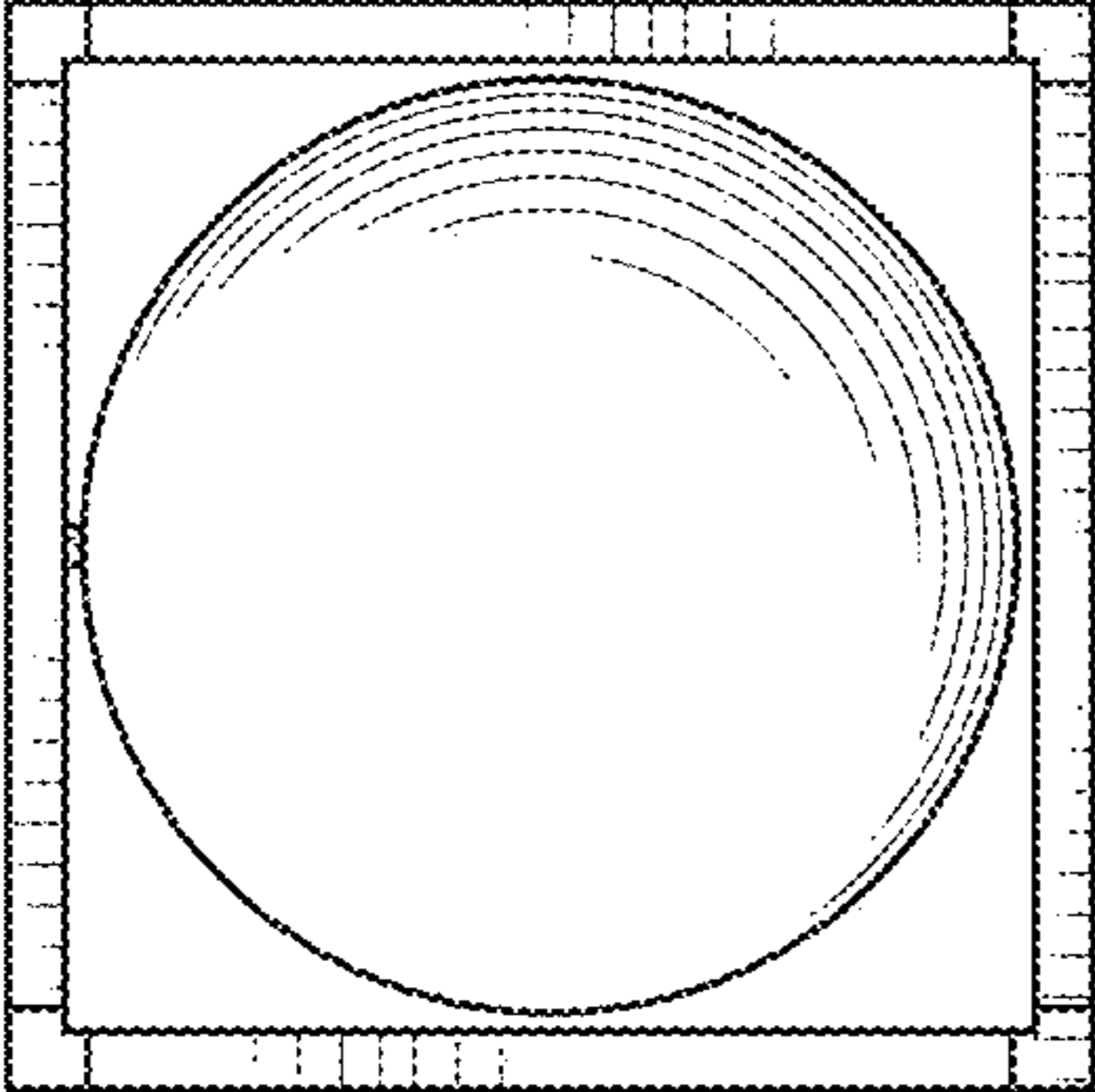


FIG. 4

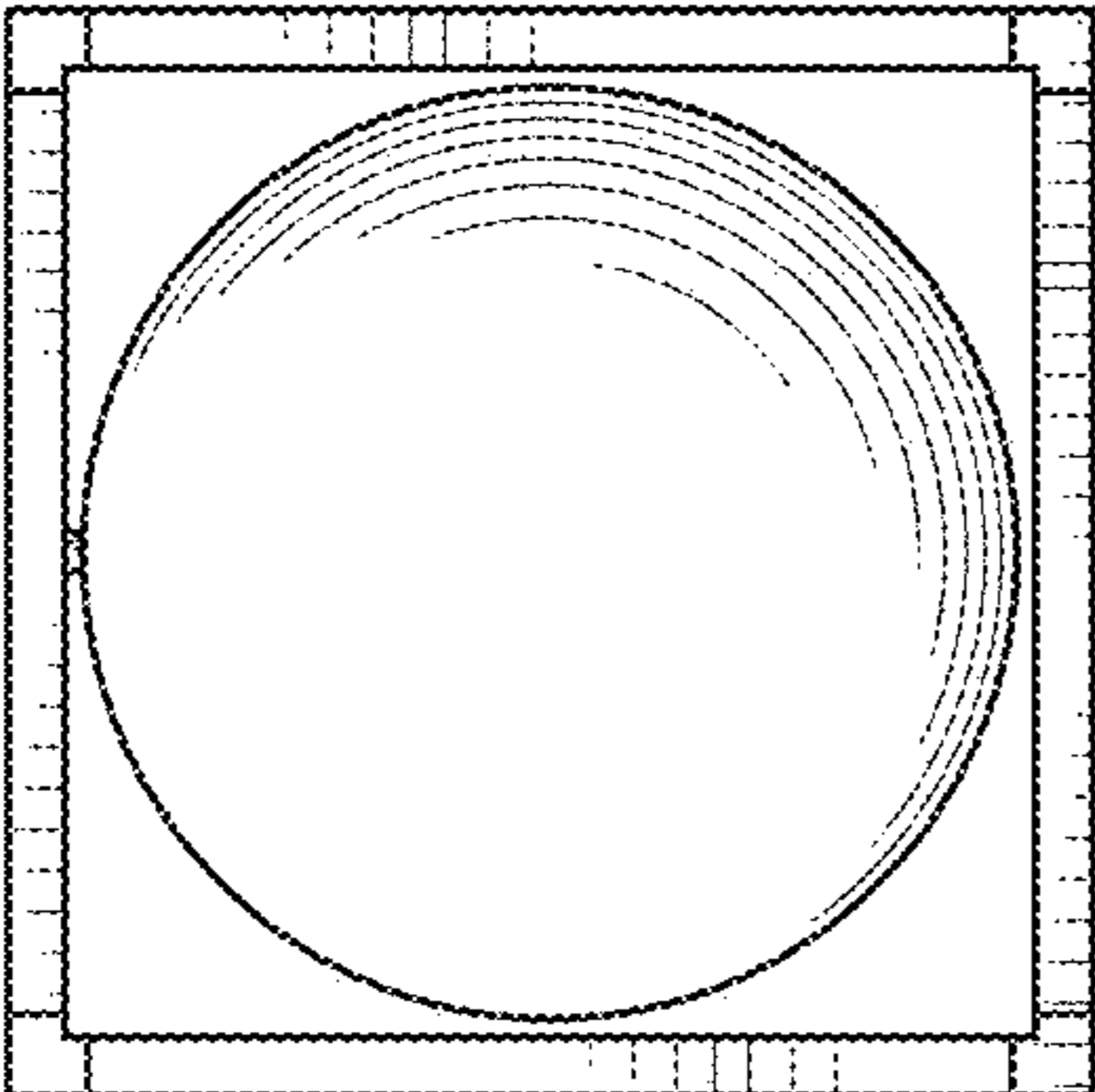


FIG. 5

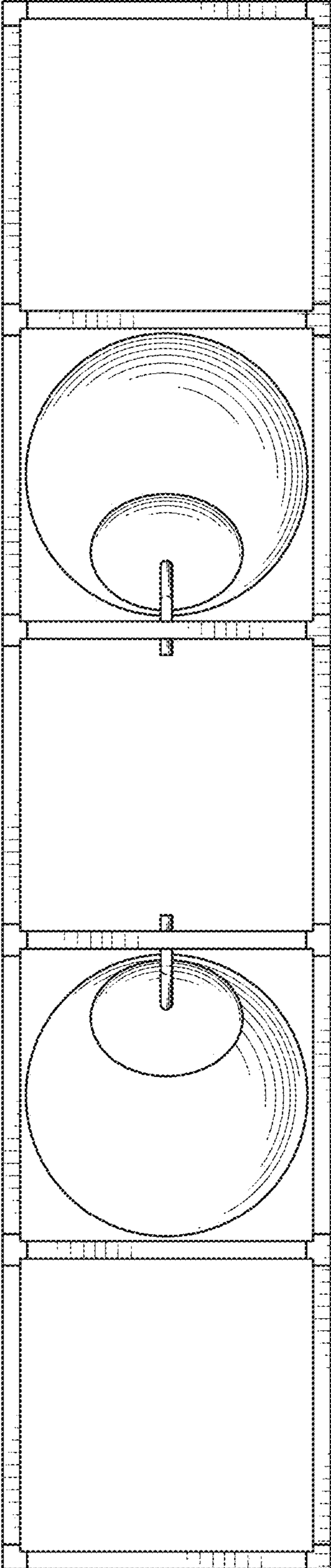


FIG. 6

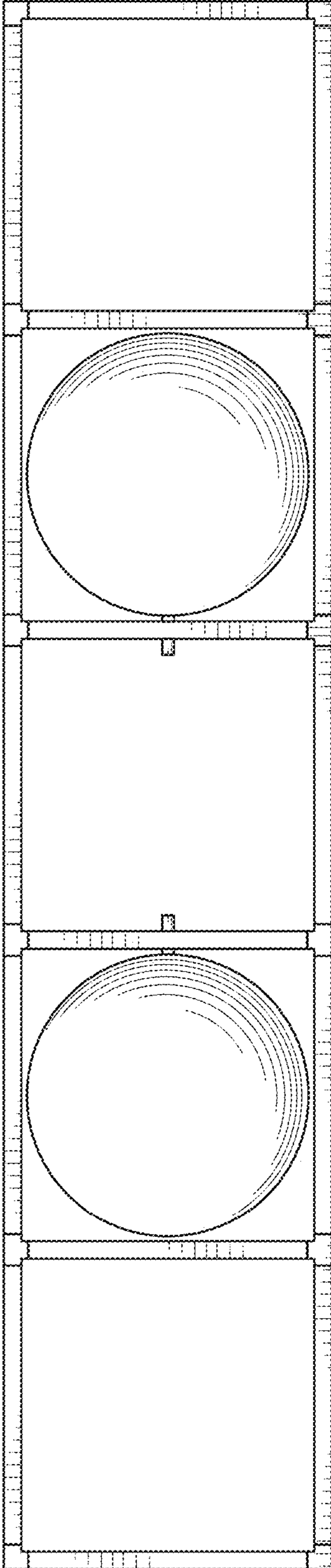


FIG. 7