



US00D891670S

(12) **United States Design Patent**  
**Santoro et al.**

(10) **Patent No.:** **US D891,670 S**  
(45) **Date of Patent:** **\*\* Jul. 28, 2020**

- (54) **LUMINAIRE**
- (71) Applicant: **Fluxwerx Illumination Inc.**, Surrey (CA)
- (72) Inventors: **Scott Santoro**, Delta (CA); **Lance David Howitt**, Vancouver (CA)
- (73) Assignee: **Lumenpulse Group Inc./Group Lumenpulse Inc.**, Longueuil (CA)

D731,700 S *	6/2015	Santoro .....	D26/118
D740,479 S *	10/2015	Beno .....	D26/118
D790,746 S *	6/2017	Ferrier .....	D26/74
D791,998 S *	7/2017	Lonsdale .....	D26/76
D795,485 S *	8/2017	Goltche .....	D26/74
D795,486 S *	8/2017	Goltche .....	D26/74
D806,926 S *	1/2018	Goetz-Schaefer .....	D26/76
D806,938 S *	1/2018	Sonneman .....	D26/138
D811,643 S *	2/2018	Hollander .....	D26/76
D813,443 S *	3/2018	Matteson .....	D26/138

\* cited by examiner

(\*\*) Term: **15 Years**

*Primary Examiner* — Angela J Lee

(21) Appl. No.: **29/592,164**

(74) *Attorney, Agent, or Firm* — Oyen Wiggs Green & Mutalal LLP

(22) Filed: **Jan. 27, 2017**

(51) **LOC (12) Cl.** ..... **26-05**

(52) **U.S. Cl.**  
USPC ..... **D26/74**

(58) **Field of Classification Search**  
USPC ..... D26/74, 72, 75, 76, 77, 78, 85, 88, 89, D26/118, 138, 141; 362/364, 365, 373, 362/145, 146, 147, 148, 150, 153, 153.1, 362/294, 296.01, 296.07, 296.08  
See application file for complete search history.

(57) **CLAIM**

The ornamental design for a luminaire, as shown and described.

**DESCRIPTION**

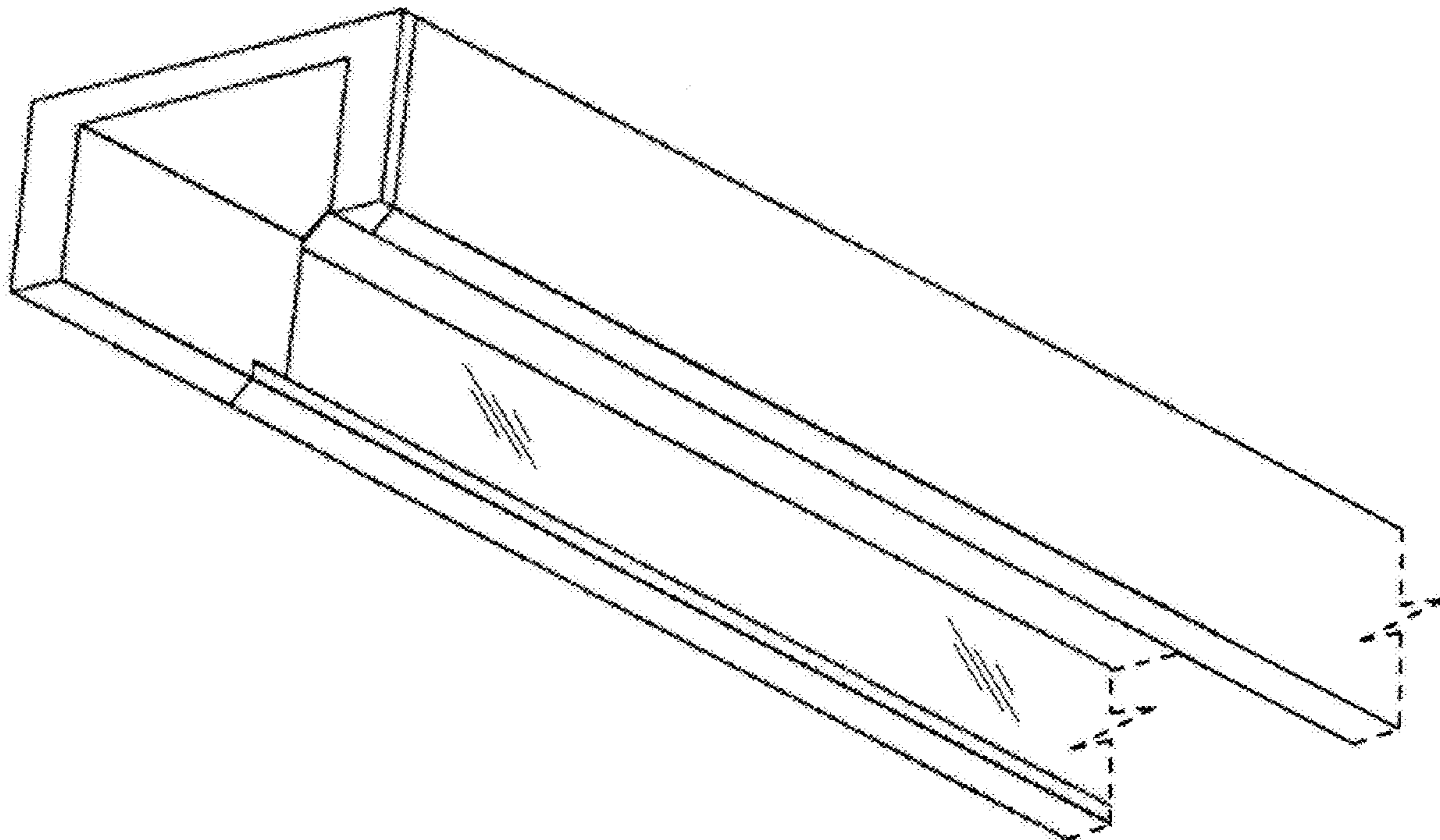
FIG. 1 is a perspective view of a luminaire, showing our new design;  
FIG. 2 is a top view thereof;  
FIG. 3 is a left view thereof;  
FIG. 4 is a right view thereof;  
FIG. 5 is a front view thereof; and,  
FIG. 6 is a bottom view thereof.  
The luminaire is shown with a symbolic break indicating the end of the claimed portion of the luminaire. The broken lines form no part of the claimed design.

(56) **References Cited**

U.S. PATENT DOCUMENTS

D329,299 S *	9/1992	Cole, Jr. ....	D26/74
D614,792 S *	4/2010	Fabbri .....	D26/120
D629,553 S *	12/2010	Gielen .....	D26/76

**1 Claim, 1 Drawing Sheet**



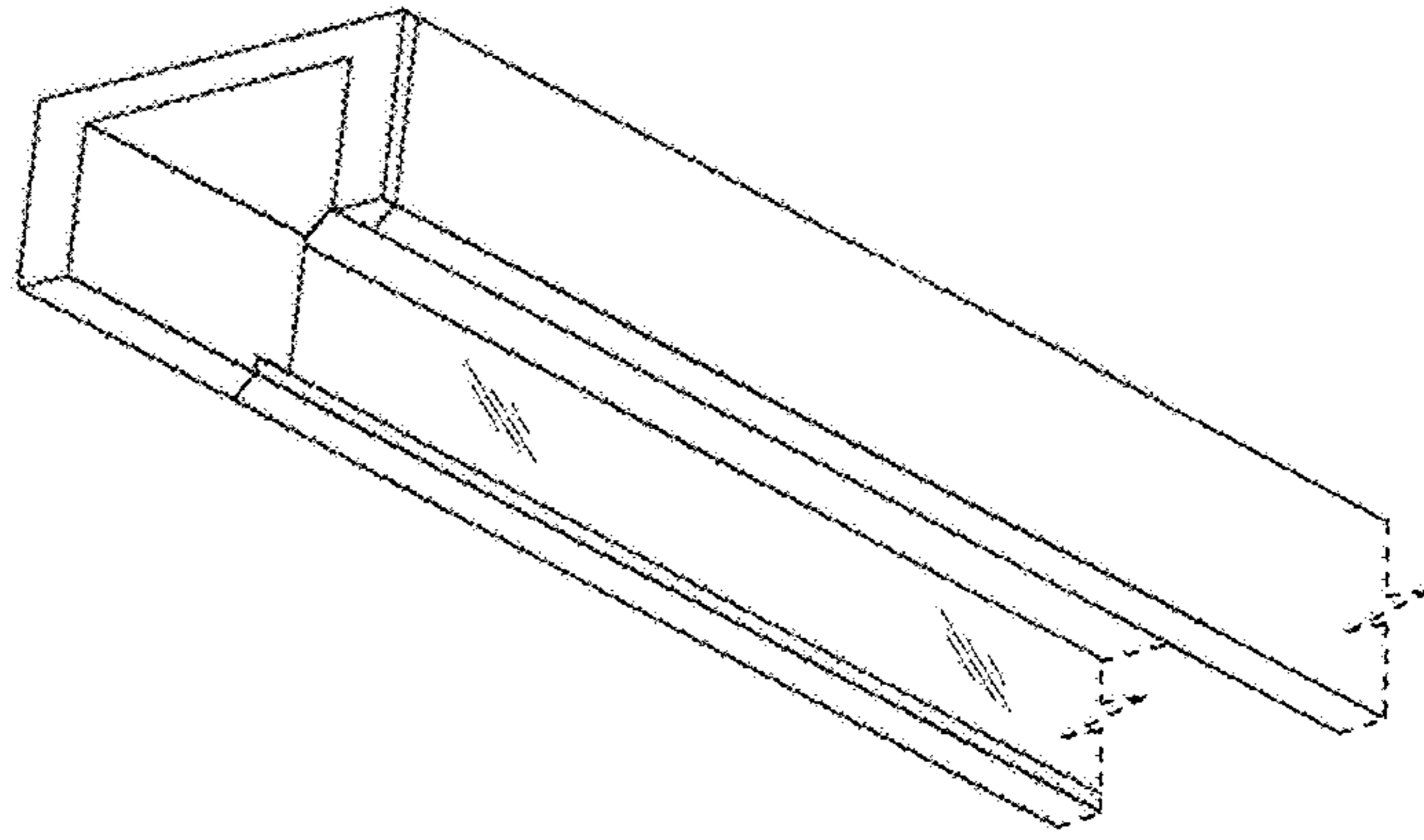


FIG. 1



FIG. 2

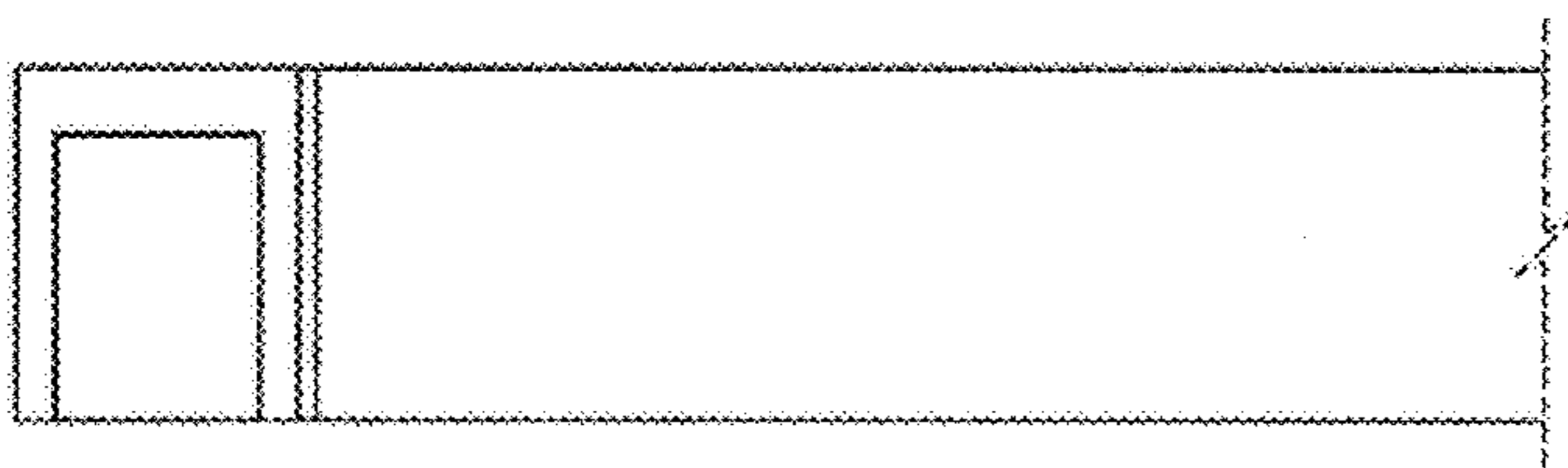


FIG. 3

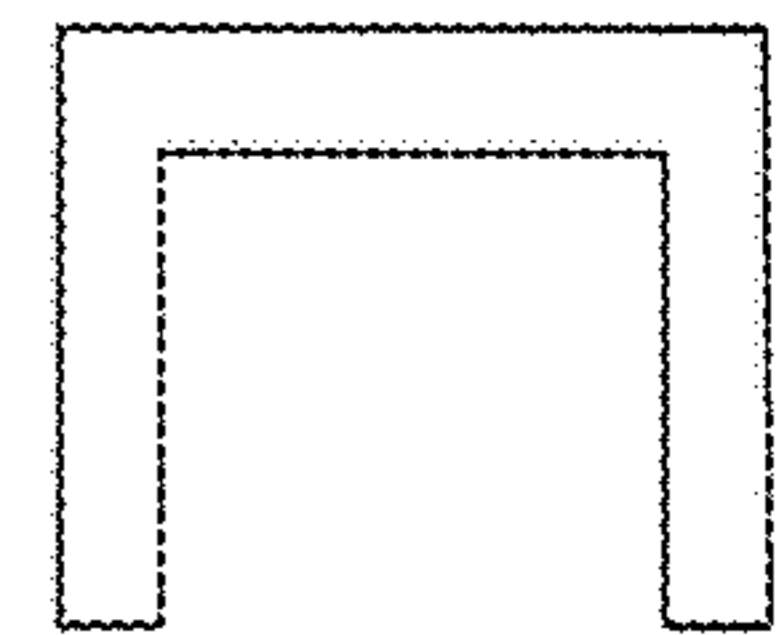


FIG. 5

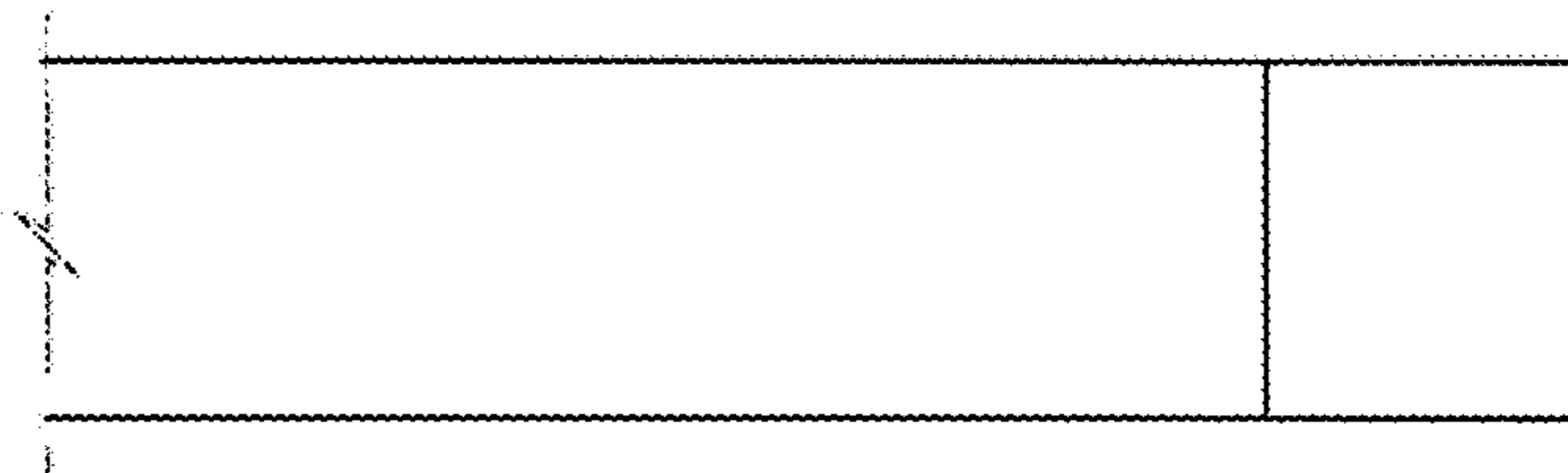


FIG. 4

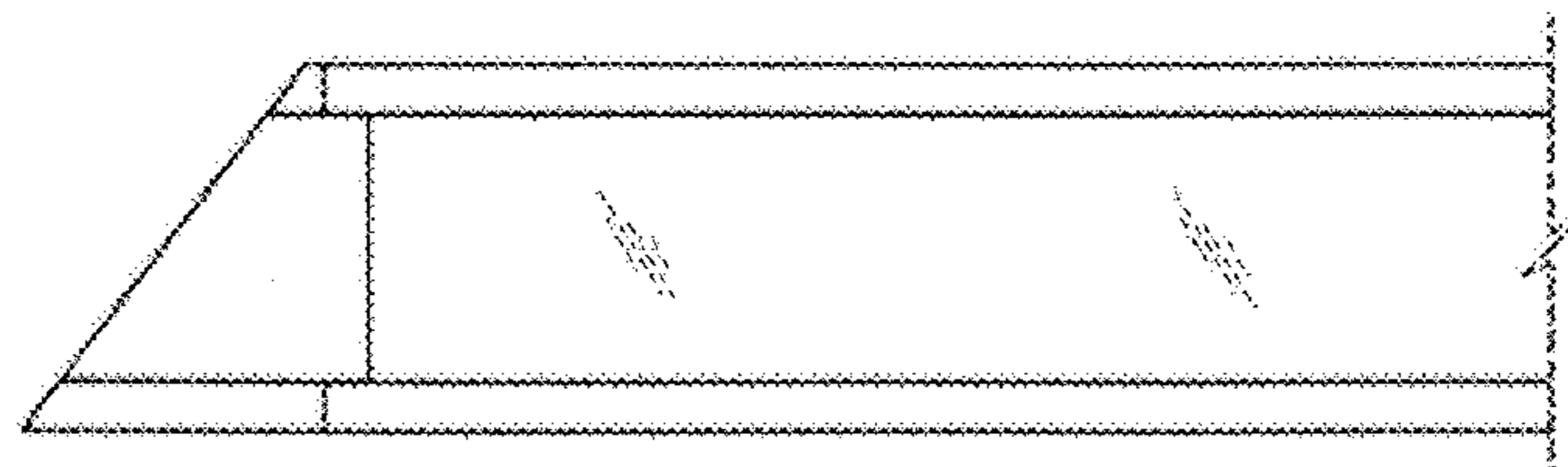


FIG. 6