



US00D891669S

(12) **United States Design Patent** (10) **Patent No.:** **US D891,669 S**
Ahrari et al. (45) **Date of Patent:** **** Jul. 28, 2020**

(54) **LIGHT FIXTURE**

FOREIGN PATENT DOCUMENTS

(71) Applicant: **Hubbell Incorporated**, Shelton, CT
(US)

CN 202118667 1/2012
EP 1332957 8/2003
JP H06243703 9/1994

(72) Inventors: **Armin Ahrari**, Glendale, CA (US);
Robert Nankil, Buena Park, CA (US)

OTHER PUBLICATIONS

(73) Assignee: **Hubbell Incorporated**, Shelton, CT
(US)

Hess "Pasadena Streetlight" Brochure from www.hess.eu/dldfile/
Hess_PASADENA_Kat_EN.pdf. Oct. 2011 (12 pages).

(Continued)

(**) Term: **15 Years**

Primary Examiner — Clare E Heflin

(21) Appl. No.: **29/711,193**

(74) *Attorney, Agent, or Firm* — Michael Best &
Friedrich, LLP

(22) Filed: **Oct. 29, 2019**

Related U.S. Application Data

(63) Continuation of application No. 29/650,058, filed on
Jun. 4, 2018, now Pat. No. Des. 869,044, which is a
continuation of application No. 29/564,385, filed on
May 12, 2016, now Pat. No. Des. 822,254, which is
a continuation of application No. 14/689,423, filed on
Apr. 17, 2015, now Pat. No. 10,215,376.

(57) **CLAIM**

We claim the ornamental design for a light fixture, as shown
and described.

(51) **LOC (12) Cl.** **26-05**

DESCRIPTION

(52) **U.S. Cl.**
USPC **D26/71**

(58) **Field of Classification Search**
USPC D26/63, 67-72, 92
CPC F21S 8/08; F21S 8/085; F21S 8/088; F21S
9/03; F21S 9/037; F21W 2111/02; F21W
2131/103; F21W 2131/107
See application file for complete search history.

FIG. 1 is a perspective view of a light fixture according our
new design.

FIG. 2 is a perspective view of the light fixture shown in
FIG. 1.

FIG. 3 is a first side view of the light fixture shown in FIG.
1.

FIG. 4 is a second side view of the light fixture shown in
FIG. 1.

FIG. 5 is a first plan view of the light fixture shown in FIG.
1.

FIG. 6 is a second plan view of the light fixture shown in
FIG. 1; and,

FIG. 7 is an end view of the light fixture shown in FIG. 1.
The elements shown in broken lines are included for the
purpose of illustrating portions of the article that form no
part of the claimed design.

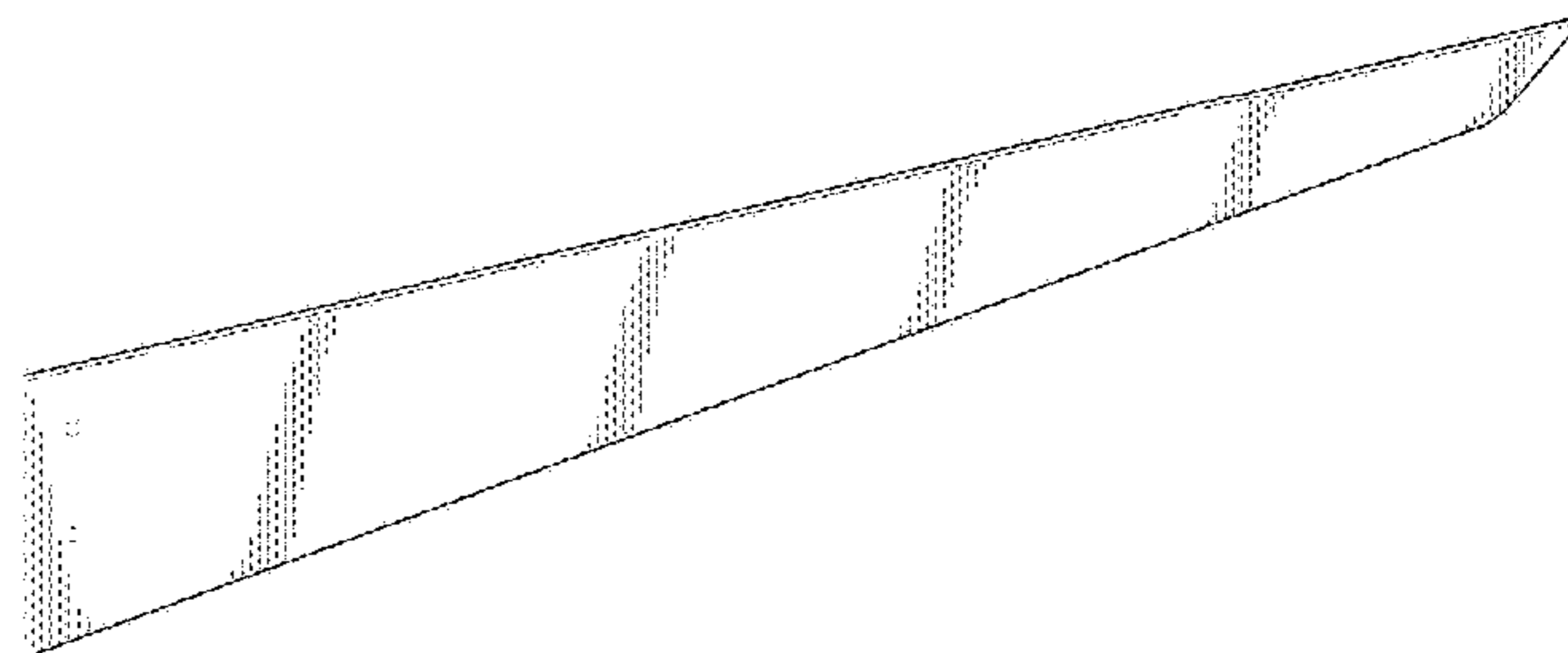
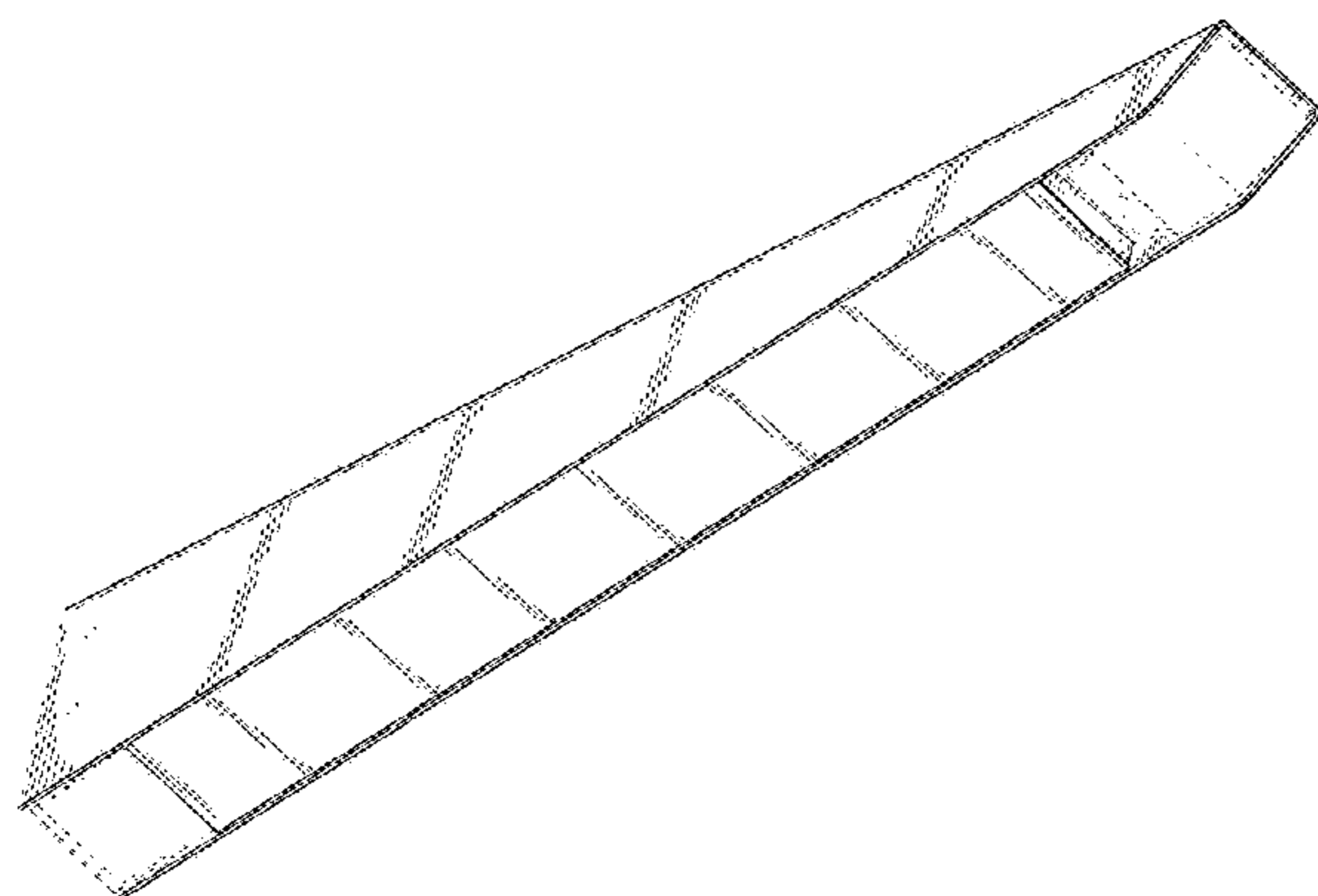
(56) **References Cited**

U.S. PATENT DOCUMENTS

2,336,016 A 12/1943 Jayne et al.
2,496,513 A 2/1950 Anders
2,800,574 A 7/1957 Belbes et al.
2,914,657 A 11/1959 Akely et al.
D198,812 S 8/1964 Pettengill

(Continued)

1 Claim, 3 Drawing Sheets



(56)

References Cited

U.S. PATENT DOCUMENTS

3,264,465	A	8/1966	Rex	
D465,593	S	11/2002	Chang	
D493,009	S	7/2004	Ken	
D566,876	S	4/2008	Allen	
D608,040	S	1/2010	Guercio	
D672,078	S	12/2012	Lui	
D677,419	S	3/2013	Sauvage	
D707,381	S	6/2014	Maxik	
8,858,028	B2	10/2014	Kim	
D729,968	S	5/2015	Szalontai	
D732,223	S	6/2015	Ahrari	
9,200,759	B2	12/2015	Schwarz	
D757,322	S	5/2016	Martin	
D768,904	S	10/2016	Ahrari	
D822,254	S	7/2018	Ahrari	
D869,044	S	* 12/2019	Ahrari	D26/71
D870,947	S	* 12/2019	Zhang	D26/71
2005/0237760	A1	10/2005	Tsukamoto	
2009/0103288	A1	4/2009	Boyer	

2009/0323343	A1	12/2009	Wang
2012/0026728	A1	2/2012	Lou
2013/0003379	A1	1/2013	Desilva
2013/0083534	A1	4/2013	Chen
2013/0301267	A1	11/2013	Badley
2013/0322074	A1	12/2013	Guercio et al.
2014/0078715	A1	3/2014	Pickard
2014/0168991	A1	6/2014	Kim
2014/0334148	A1	11/2014	Lee
2014/0347856	A1	11/2014	Deng
2015/0330609	A1	11/2015	Ahrari

OTHER PUBLICATIONS

European Patent Appl. No. 15792109.9 extended European Search Report dated Oct. 6, 2017 (8 pages).
PCT/US2015/030316 International Search Report and Written Opinion dated Sep. 17, 2015.
Hess "Pasadena" Luminaire Brochure pp. 147-151 from hessamerica.com. Available Apr. 9, 2015 (5 pages) (Year 2015).

* cited by examiner

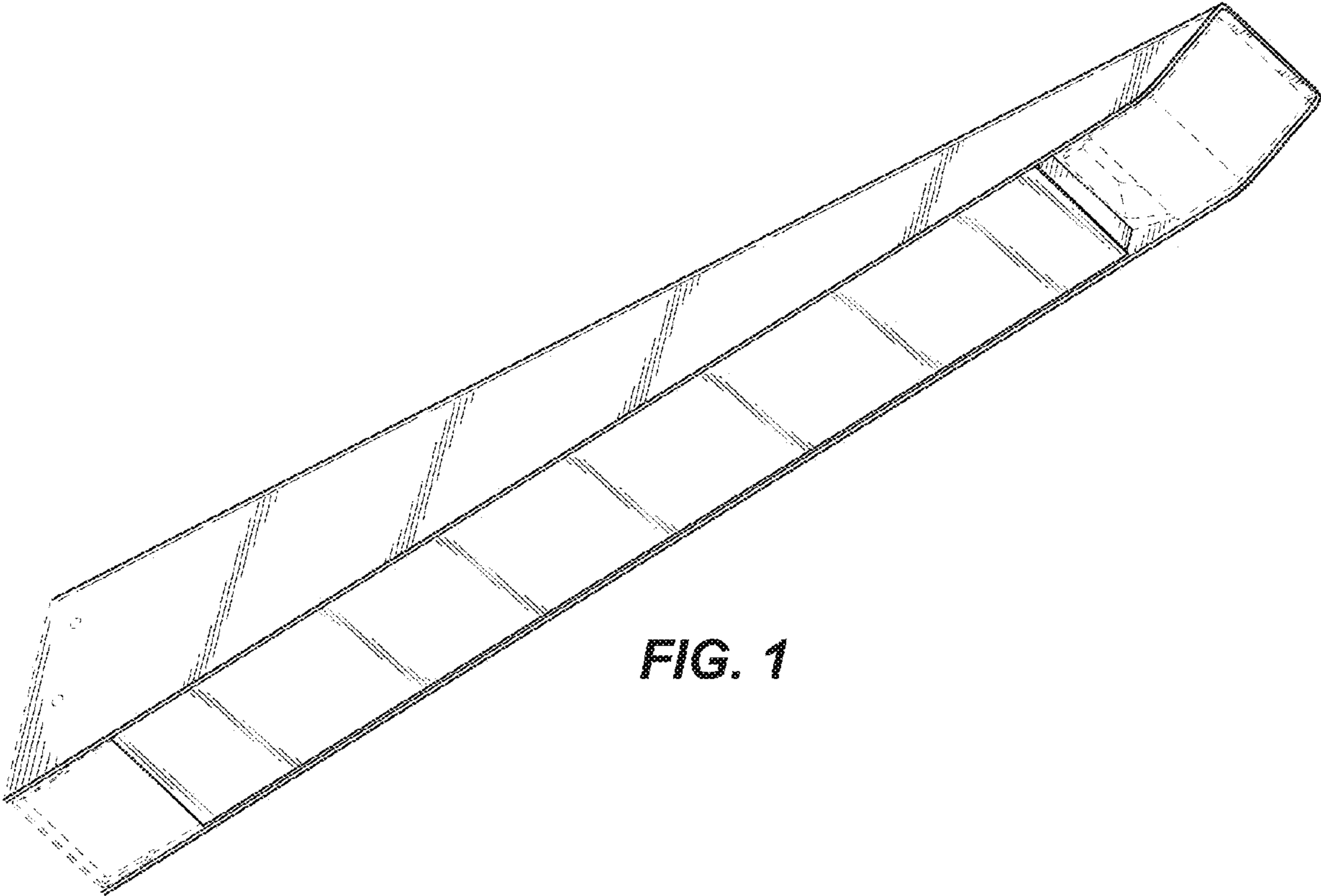


FIG. 1

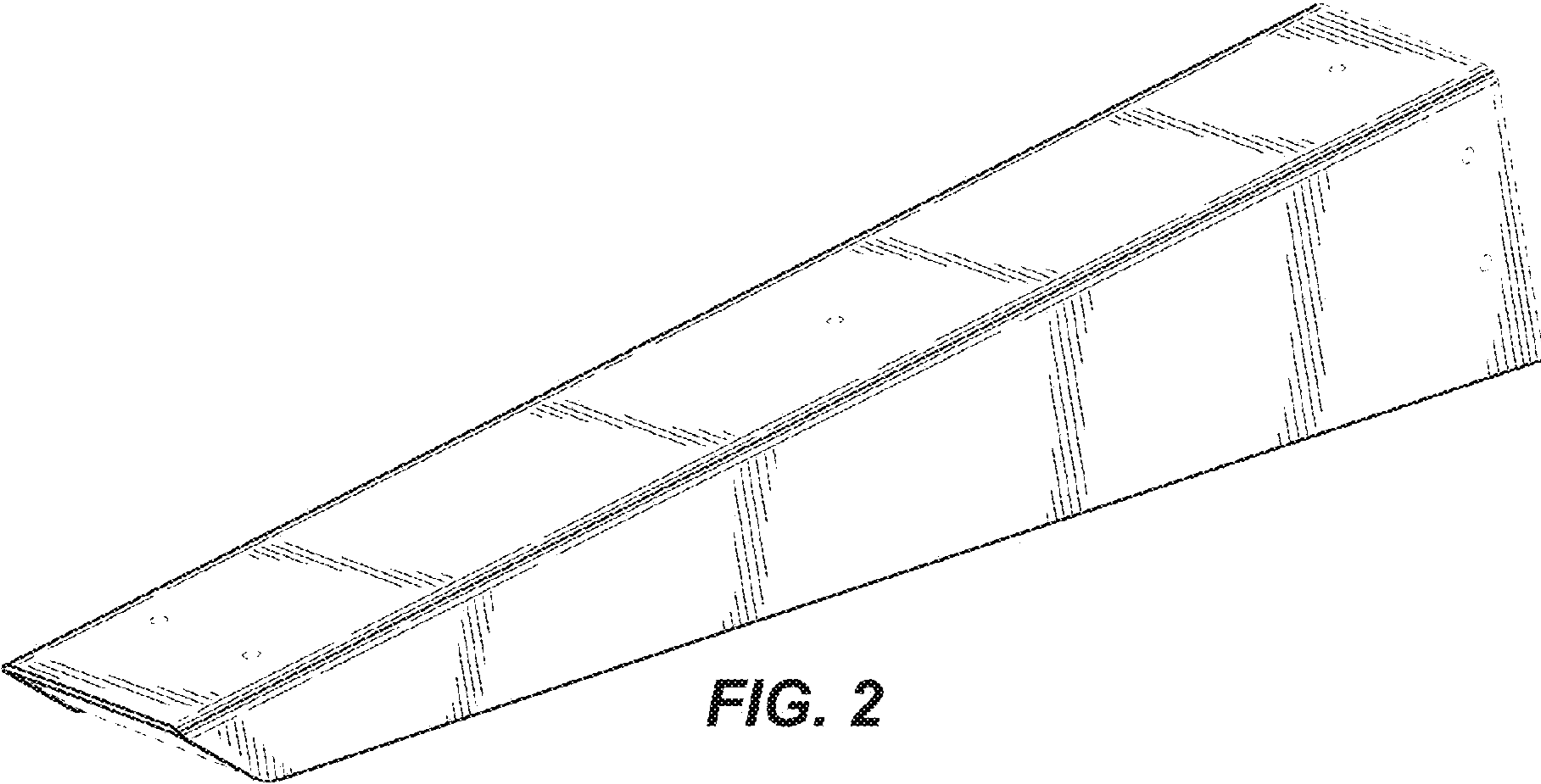
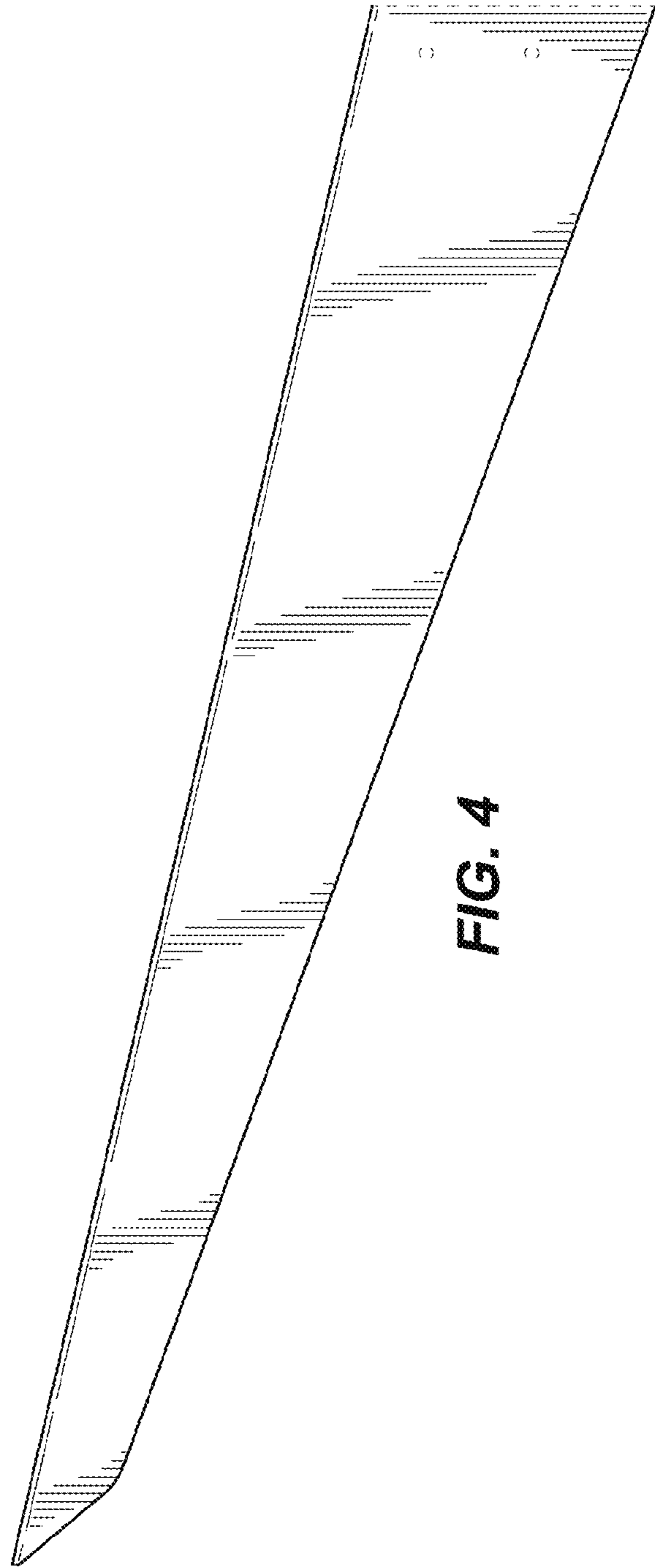
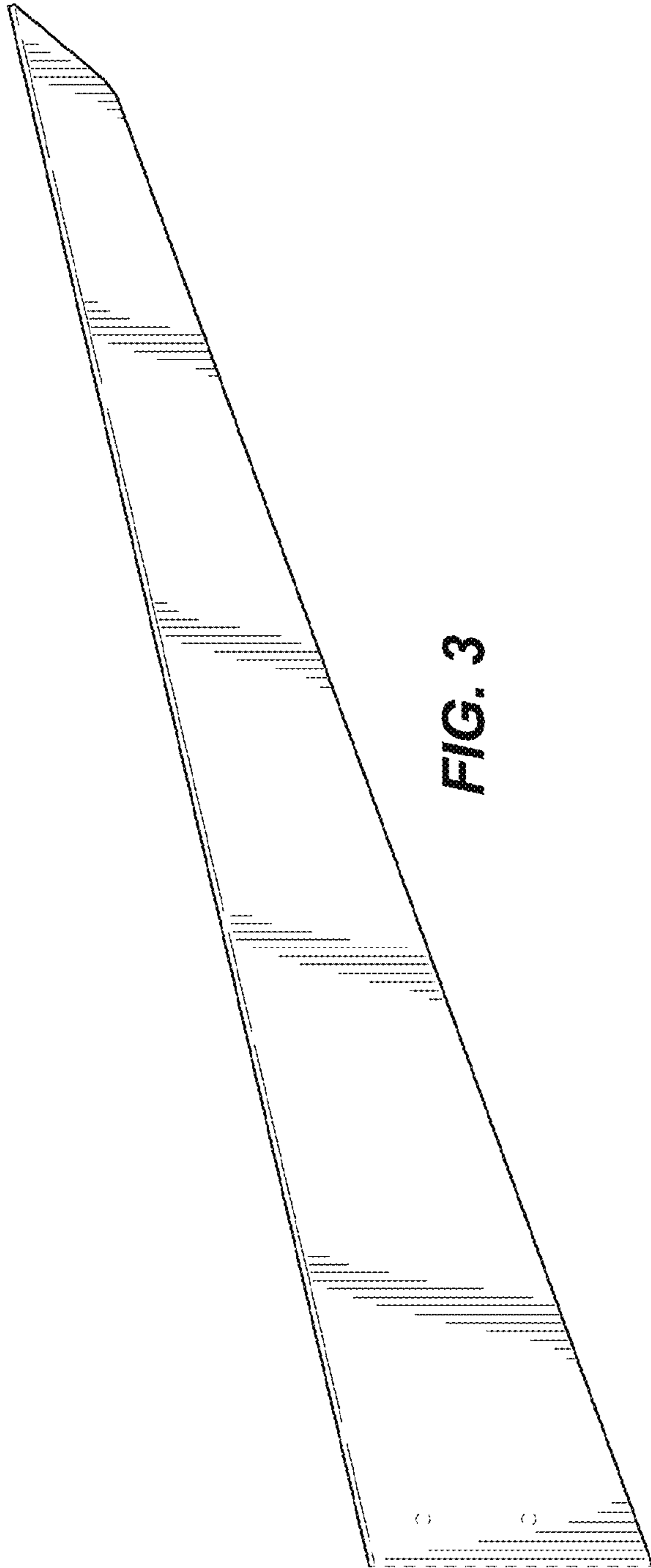


FIG. 2



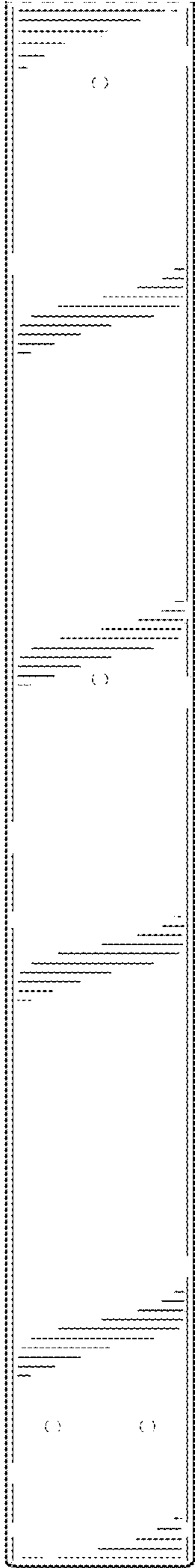


FIG. 5

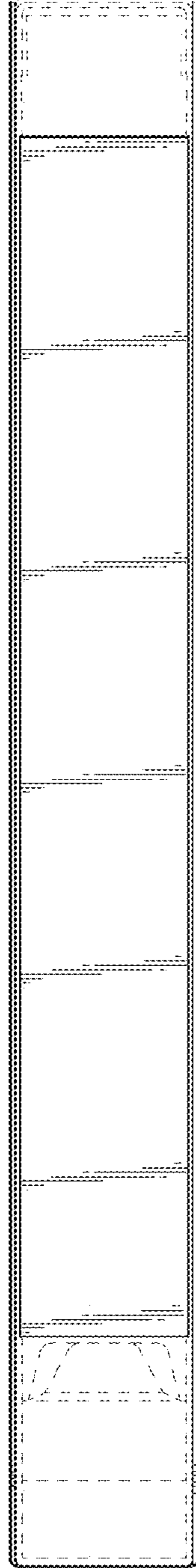


FIG. 6

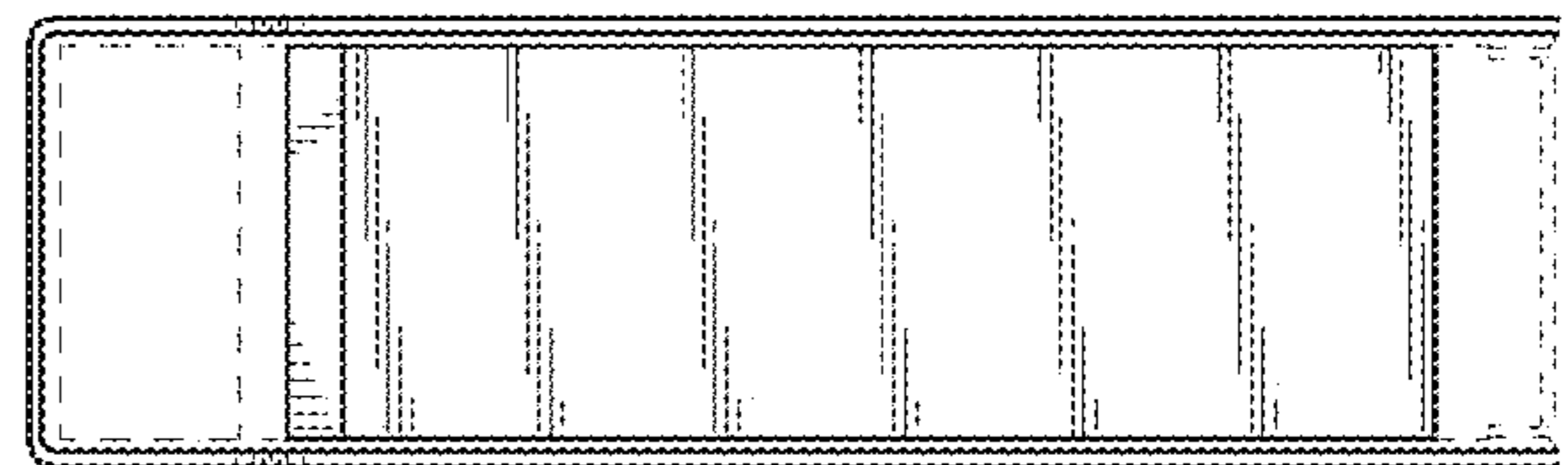


FIG. 7