



US00D891668S

(12) **United States Design Patent**
Chen

(10) **Patent No.:** **US D891,668 S**

(45) **Date of Patent:** **** Jul. 28, 2020**

(54) **FLAGSTAFF LIGHT**

(71) Applicant: **Xiumei Chen**, Fujian (CN)

(72) Inventor: **Xiumei Chen**, Fujian (CN)

(**) Term: **15 Years**

(21) Appl. No.: **29/730,846**

(22) Filed: **Apr. 8, 2020**

(51) **LOC (12) Cl.** **26-05**

(52) **U.S. Cl.**

USPC **D26/67; D26/70**

(58) **Field of Classification Search**

USPC **D26/67-70, 80**

CPC .. **F21S 8/081; F21S 8/088; F21S 9/035; F21S**

9/037; F21S 6/005; F21S 6/007; F21S

13/10; F21V 21/088; F21V 21/116; F21W

2111/023; F21W 2131/109

See application file for complete search history.

(56) **References Cited**

U.S. PATENT DOCUMENTS

D475,801 S *	6/2003	Stewart	D26/67
D488,879 S *	4/2004	Brown	D26/67
7,192,058 B2 *	3/2007	Fleming	A63C 11/24
				280/819
D540,485 S *	4/2007	Waedeled	D26/70
D558,908 S *	1/2008	Waedeled	D26/67
7,331,684 B2 *	2/2008	Tung	A45B 3/04
				135/16
7,401,936 B1 *	7/2008	Fan	A45B 3/04
				362/102
D752,798 S *	3/2016	Righetto	D26/67
D800,364 S *	10/2017	Lee	D26/67
D875,986 S *	2/2020	Chen	D26/67

2005/0117326 A1 *	6/2005	Ma	F21V 33/006
				362/102
2017/0159927 A1 *	6/2017	Hui	F21V 31/00
2019/0360650 A1 *	11/2019	Toner	G09F 13/00

OTHER PUBLICATIONS

56 LED Solar Flag Pole Light by Yakalla, at amazon.com as early as Jun. 16, 2019. (Year: 2019).*

48 LED Solar Flagpole Light by Yakalla, at amazon.com Feb. 18, 2019. (Year: 2019).*

Solar Flag Pole Light, Upgraded Version 128 LED Solar Powered Flagpole Lights sold by Aomtelove at amazon.com as early as Jan. 12, 2020. (Year: 2020).*

* cited by examiner

Primary Examiner — Clare E Heflin

(74) *Attorney, Agent, or Firm* — JCIP Global Inc.

(57) **CLAIM**

The ornamental design for a flagstaff light, as shown and described.

DESCRIPTION

FIG. 1 is a bottom perspective view of a flagstaff light showing my new design;

FIG. 2 is a top perspective view thereof;

FIG. 3 is a bottom plan view thereof;

FIG. 4 is a top plan view thereof;

FIG. 5 is a left side elevation view thereof;

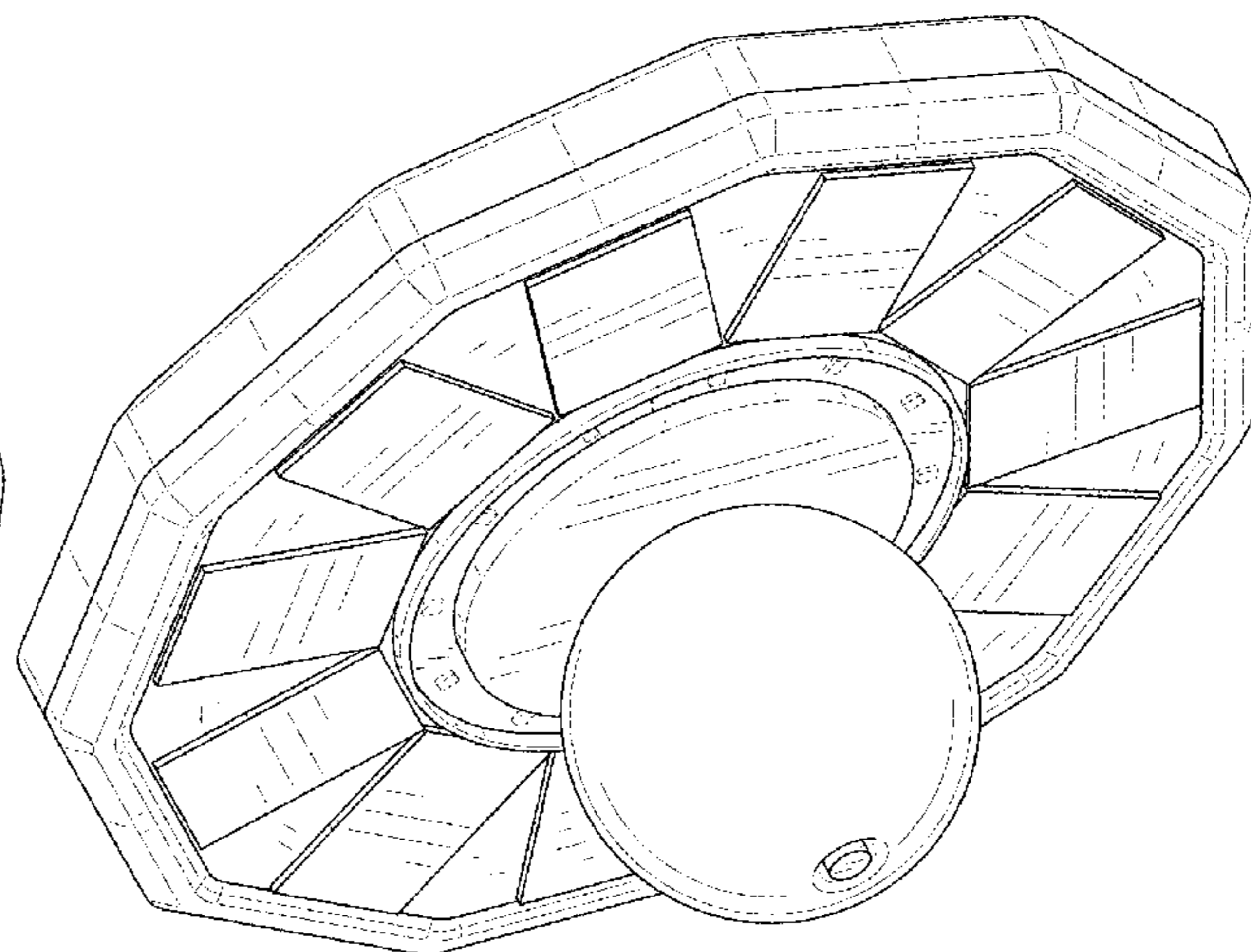
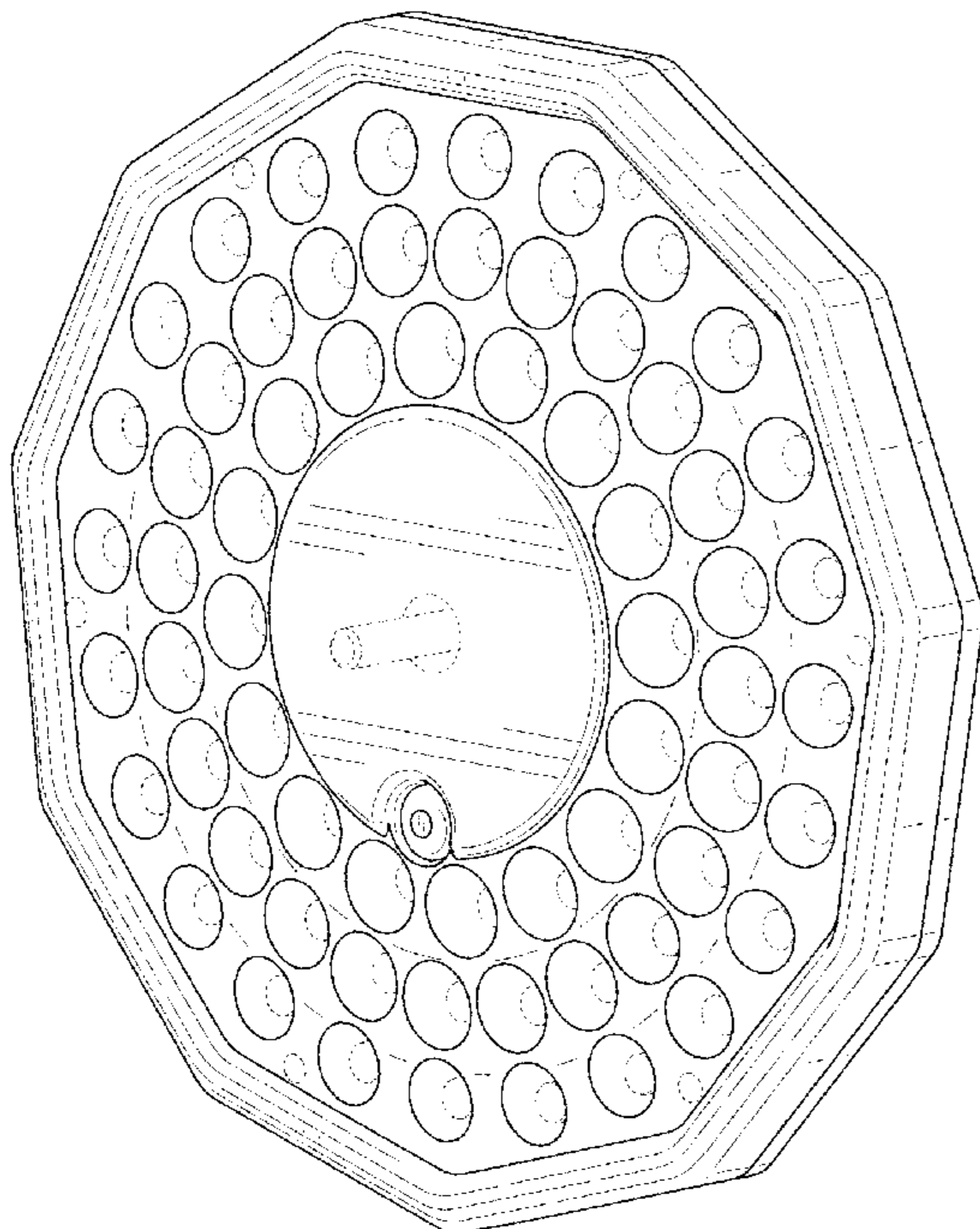
FIG. 6 is a right side elevation view thereof;

FIG. 7 is a front elevation view thereof; and,

FIG. 8 is a rear elevation view thereof.

The broken line portions of the flagstaff light in in FIGS. 1-8 represent unclaimed portions of the claimed design and form no part thereof.

1 Claim, 7 Drawing Sheets



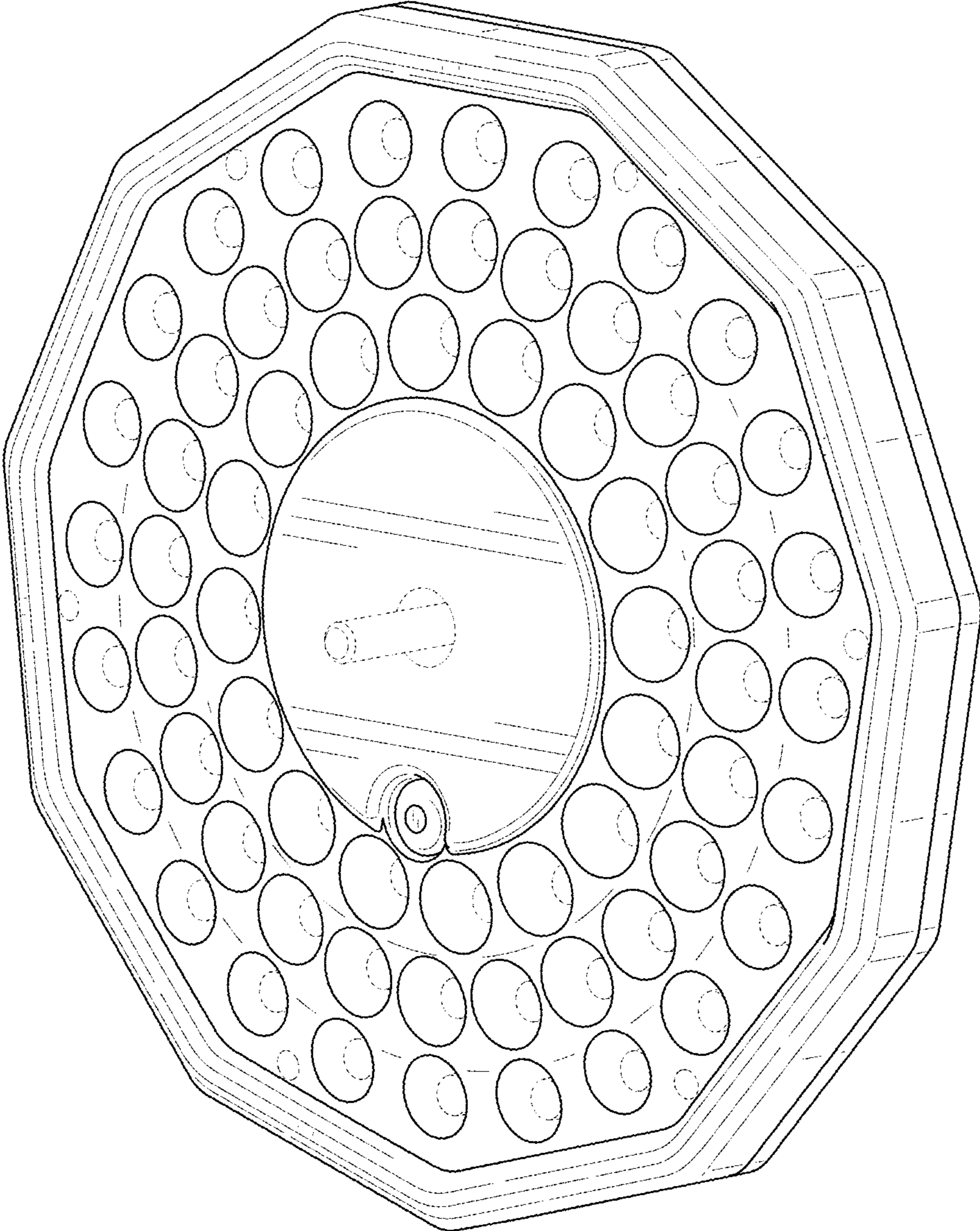


FIG. 1

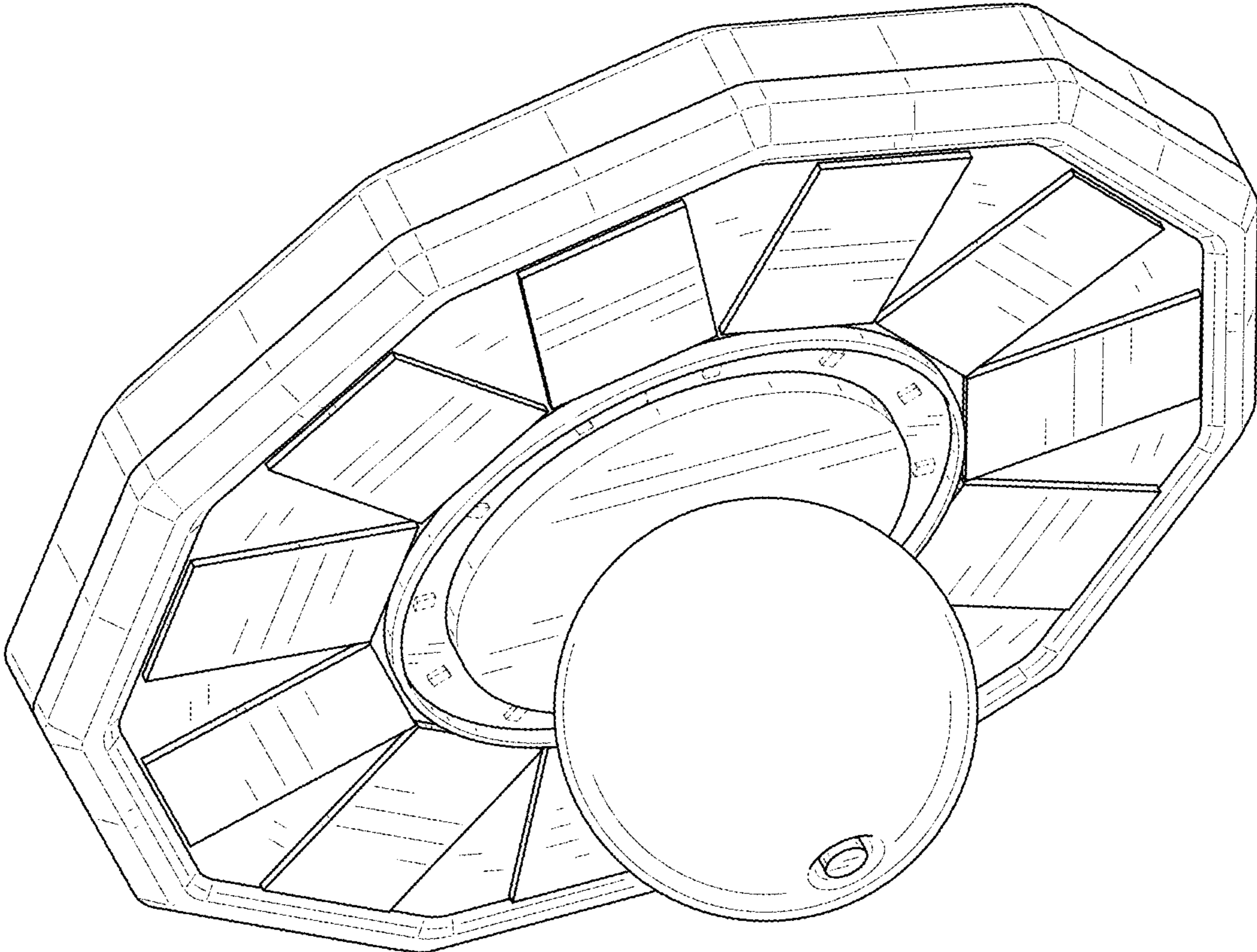


FIG. 2

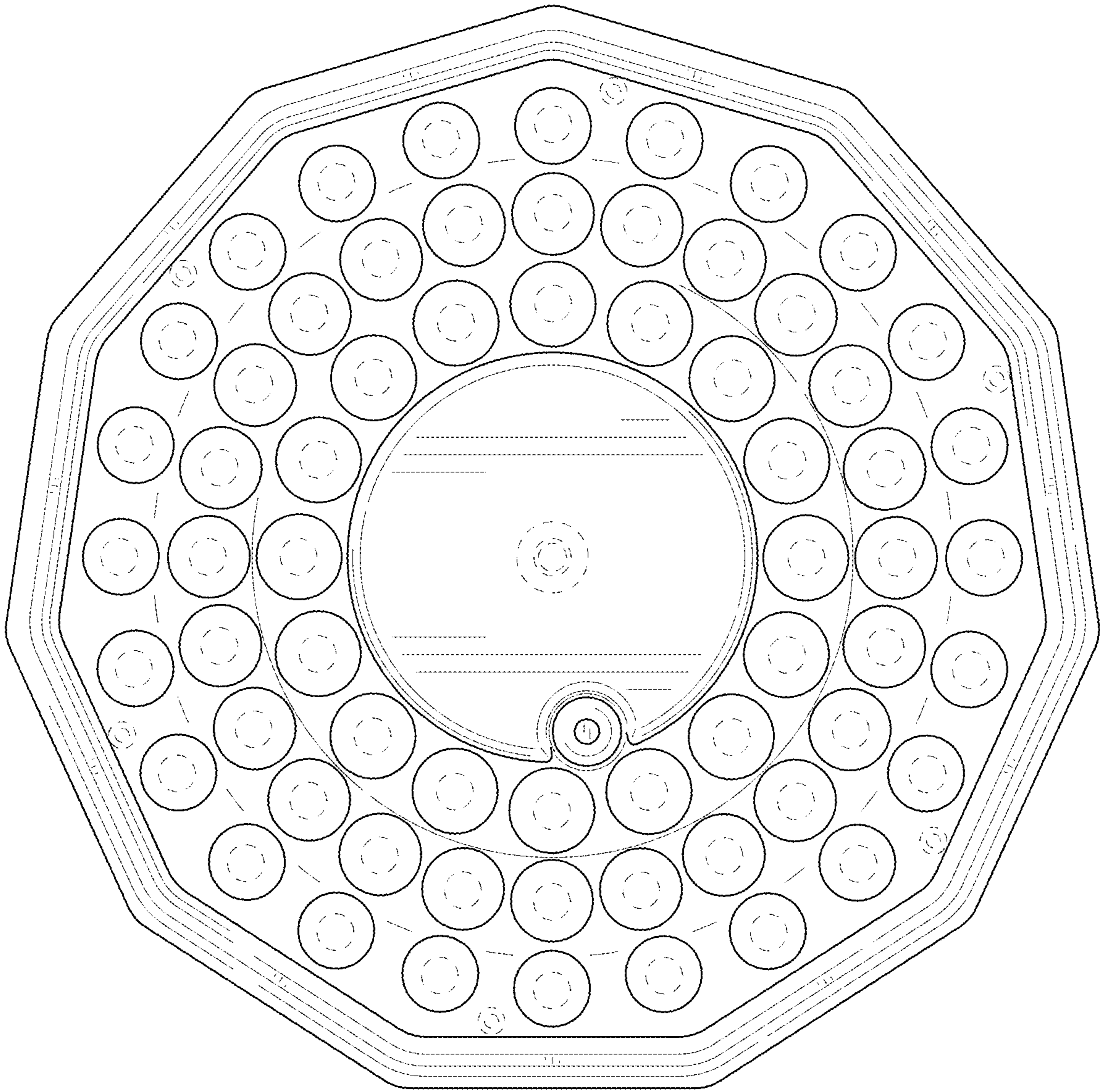


FIG. 3

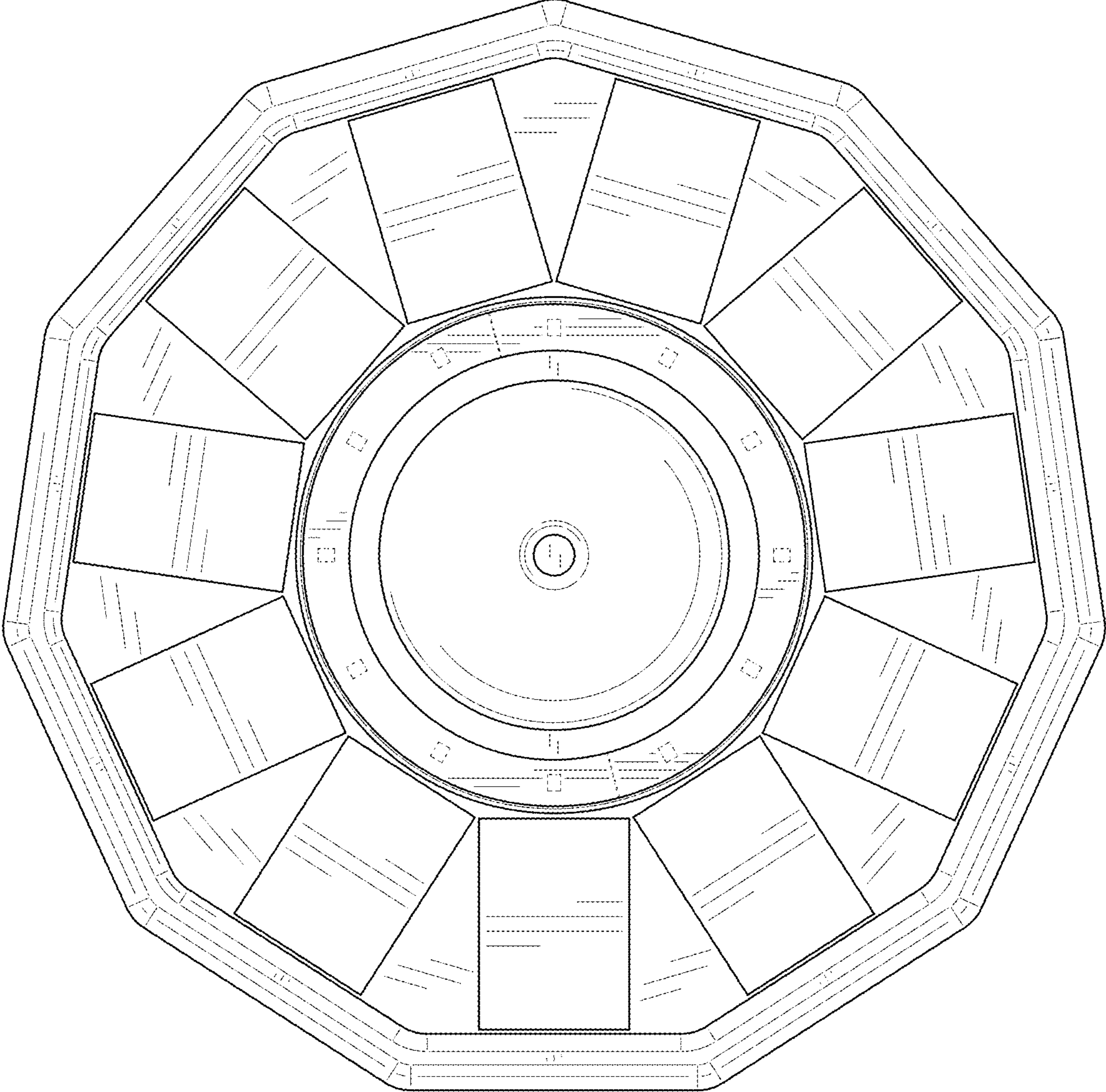


FIG. 4

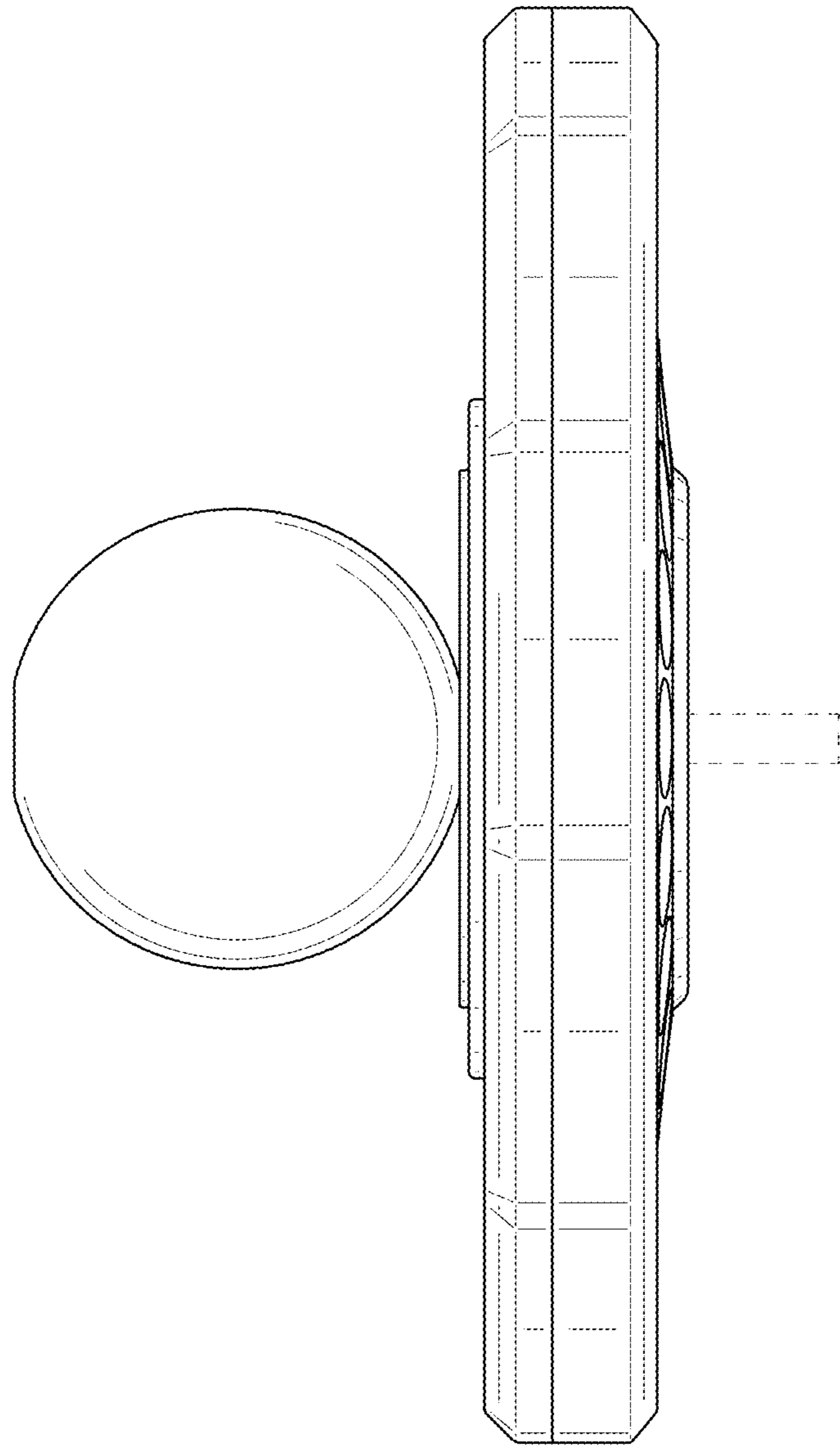


FIG. 5

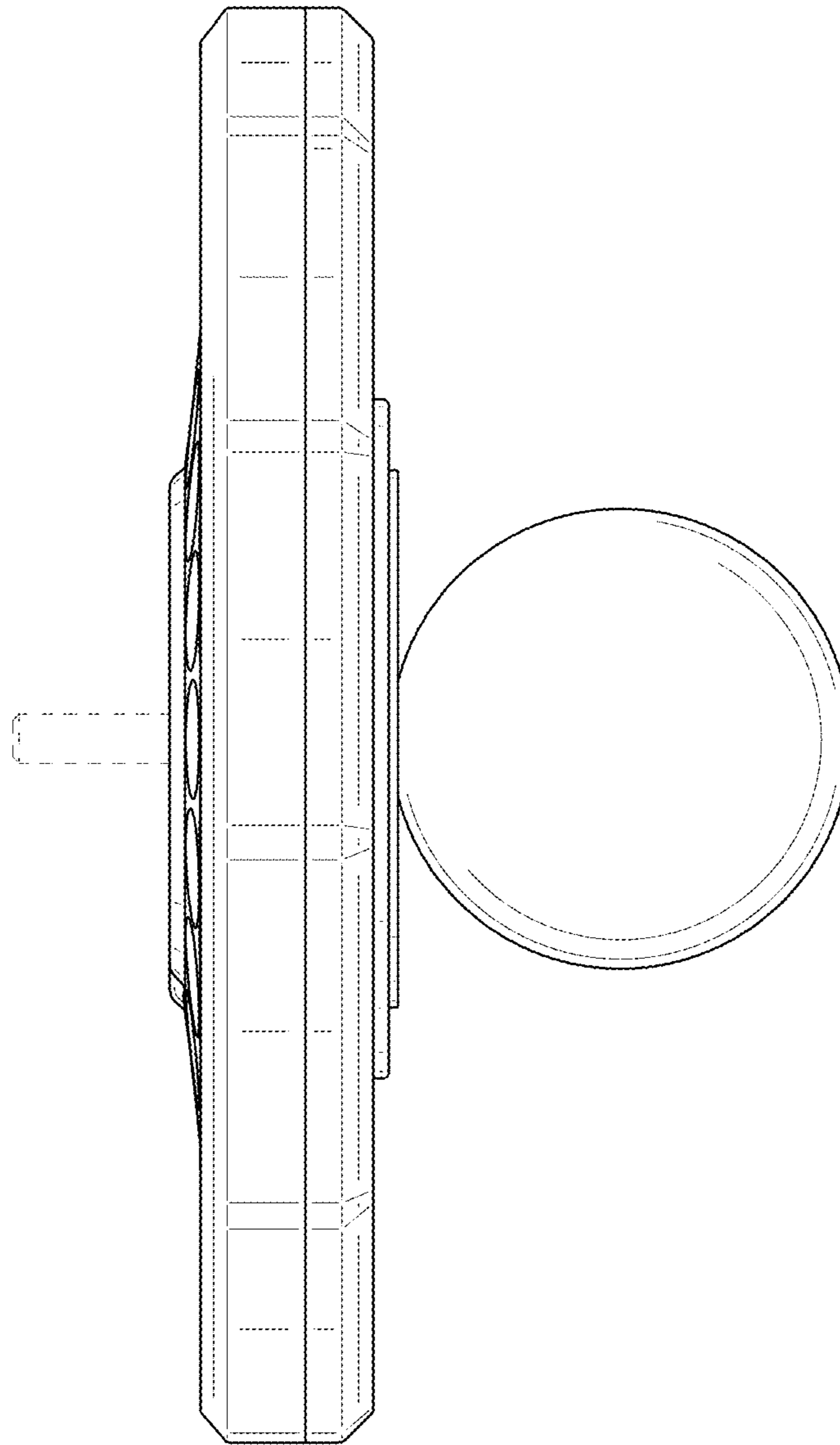


FIG. 6

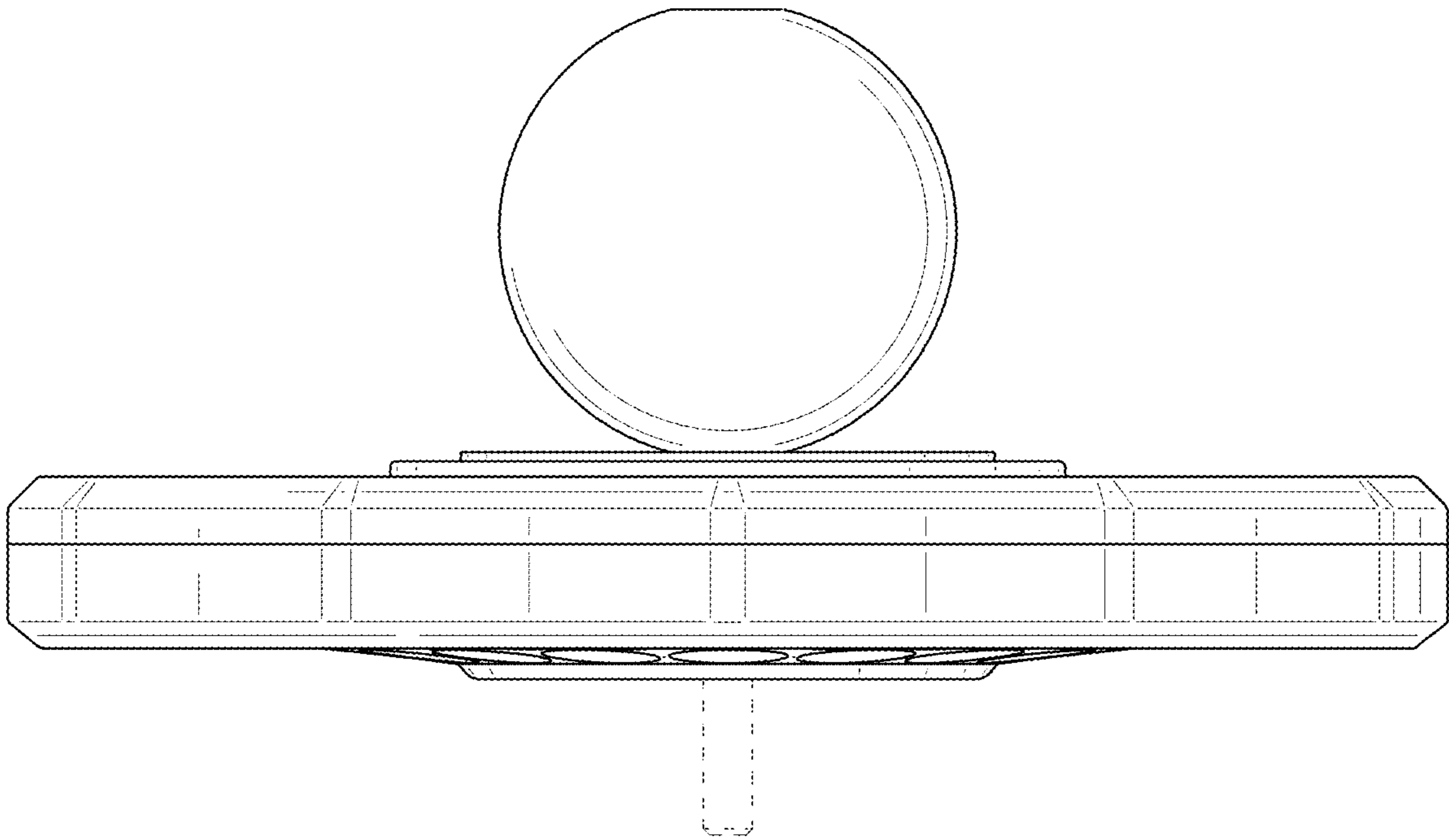


FIG. 7

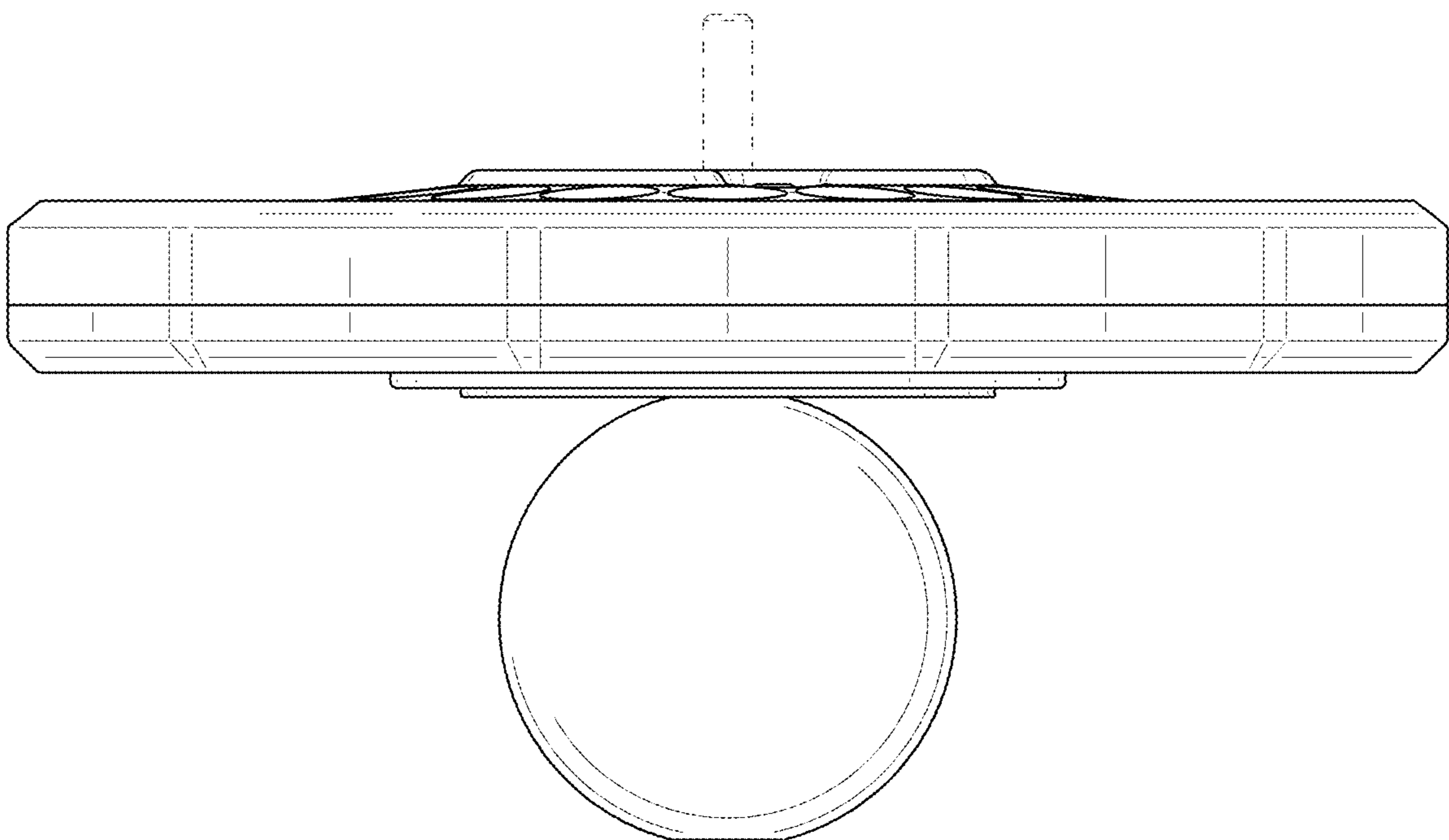


FIG. 8