



US00D891667S

(12) **United States Design Patent**
Zou et al.

(10) **Patent No.:** **US D891,667 S**
(45) **Date of Patent:** **** Jul. 28, 2020**

(54) **LED LAMP**

(71) Applicant: **Green Inova Lighting Technology (Shenzhen) Limited**, Shenzhen (CN)

(72) Inventors: **Xiaofeng Zou**, Shenzhen (CN); **Qiang Li**, Shenzhen (CN); **Li Xu**, Shenzhen (CN); **Guangyun Gu**, Shenzhen (CN); **Rengui Zhou**, Shenzhen (CN)

(73) Assignee: **Green Inova Lighting Technology (Shenzhen) Limited**, Shenzhen (CN)

(**) Term: **15 Years**

(21) Appl. No.: **29/681,746**

(22) Filed: **Feb. 27, 2019**

(51) **LOC (12) Cl.** **26-03**

(52) **U.S. Cl.**
USPC **D26/63**

(58) **Field of Classification Search**
USPC D26/60-66, 72, 85, 87, 92
CPC . F21K 9/00; F21V 5/007; F21V 7/005; F21V 7/0083; F21V 11/04; F21V 11/14; F21V 15/01; F21V 19/001; F21V 21/002; F21V 21/06; F21V 21/0885; F21V 21/145; F21V 21/30; F21V 33/0024; F21V 7/05
See application file for complete search history.

(56) **References Cited**

U.S. PATENT DOCUMENTS

D567,422 S * 4/2008 Gordin D26/63
D590,979 S * 4/2009 Mullen D26/63

D862,757 S * 10/2019 Wang D26/63
D866,825 S * 11/2019 Lai D26/63
D866,832 S * 11/2019 Amin D26/63
D866,833 S * 11/2019 Amin D26/63
D866,834 S * 11/2019 Amin D26/63

* cited by examiner

Primary Examiner — Brian N. Vinson

(74) *Attorney, Agent, or Firm* — Meunier Carlin & Curfman LLC

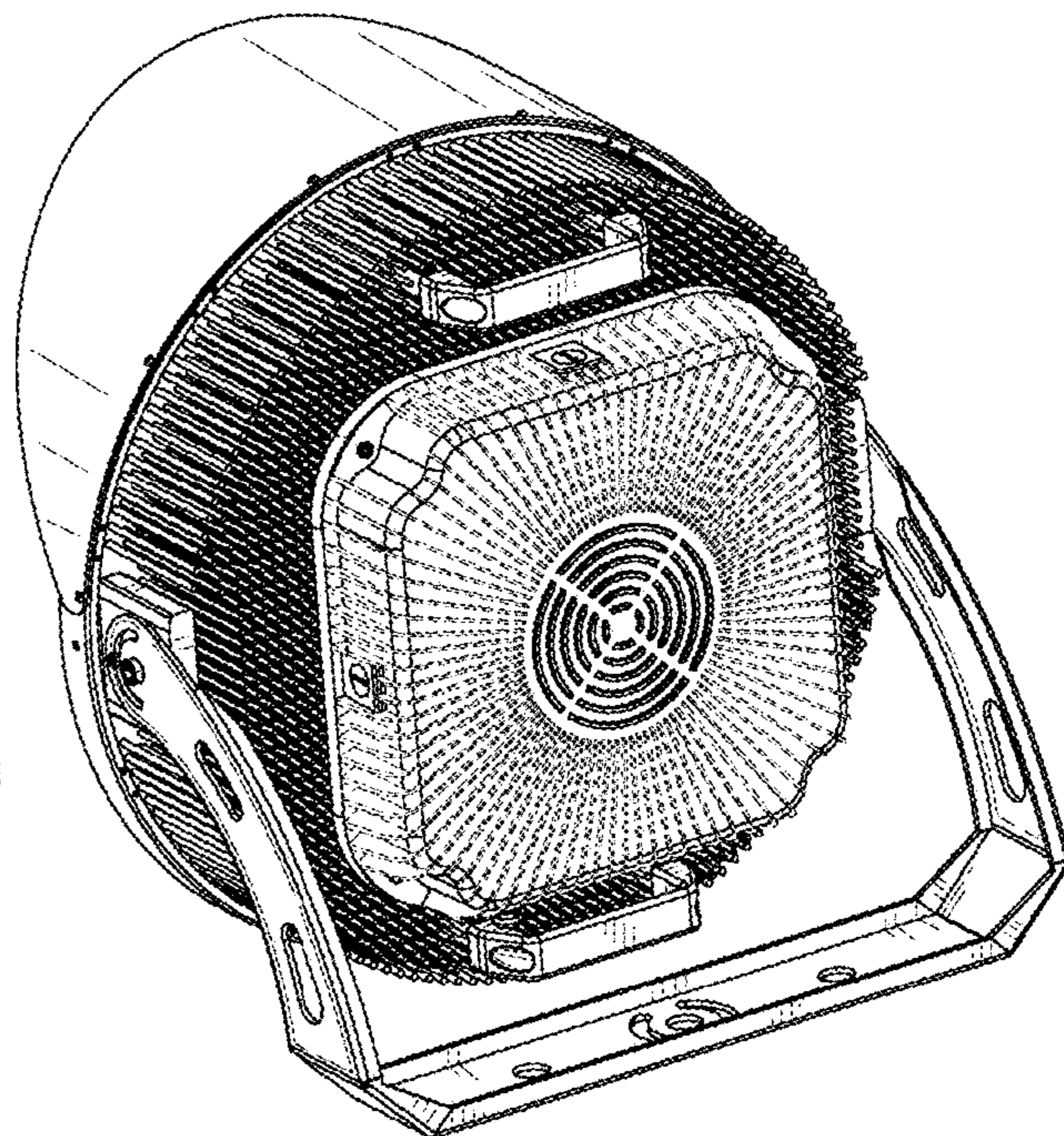
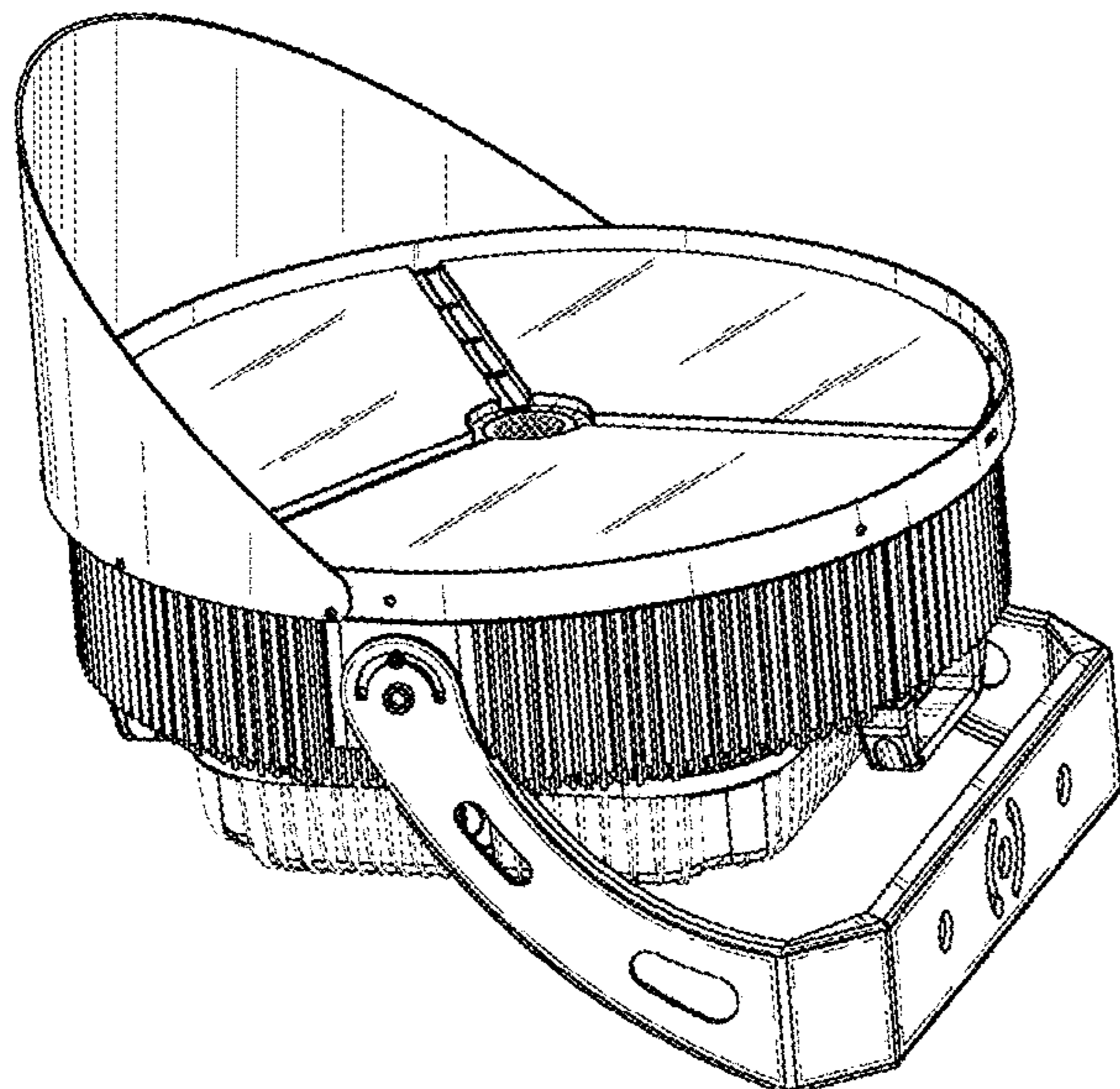
(57) **CLAIM**

The ornamental design for an LED lamp, as shown and described.

DESCRIPTION

FIG. 1 is a front view of an LED lamp;
FIG. 2 is a rear view thereof;
FIG. 3 is a left-side view thereof;
FIG. 4 is a right-side view thereof;
FIG. 5 is a top view thereof;
FIG. 6 is a bottom view thereof;
FIG. 7 is a front perspective view thereof; and,
FIG. 8 is a rear perspective view thereof.
The broken lines shown in the drawings are for the purpose of illustrating portions of the LED lamp that form no part of the claimed design.

1 Claim, 8 Drawing Sheets



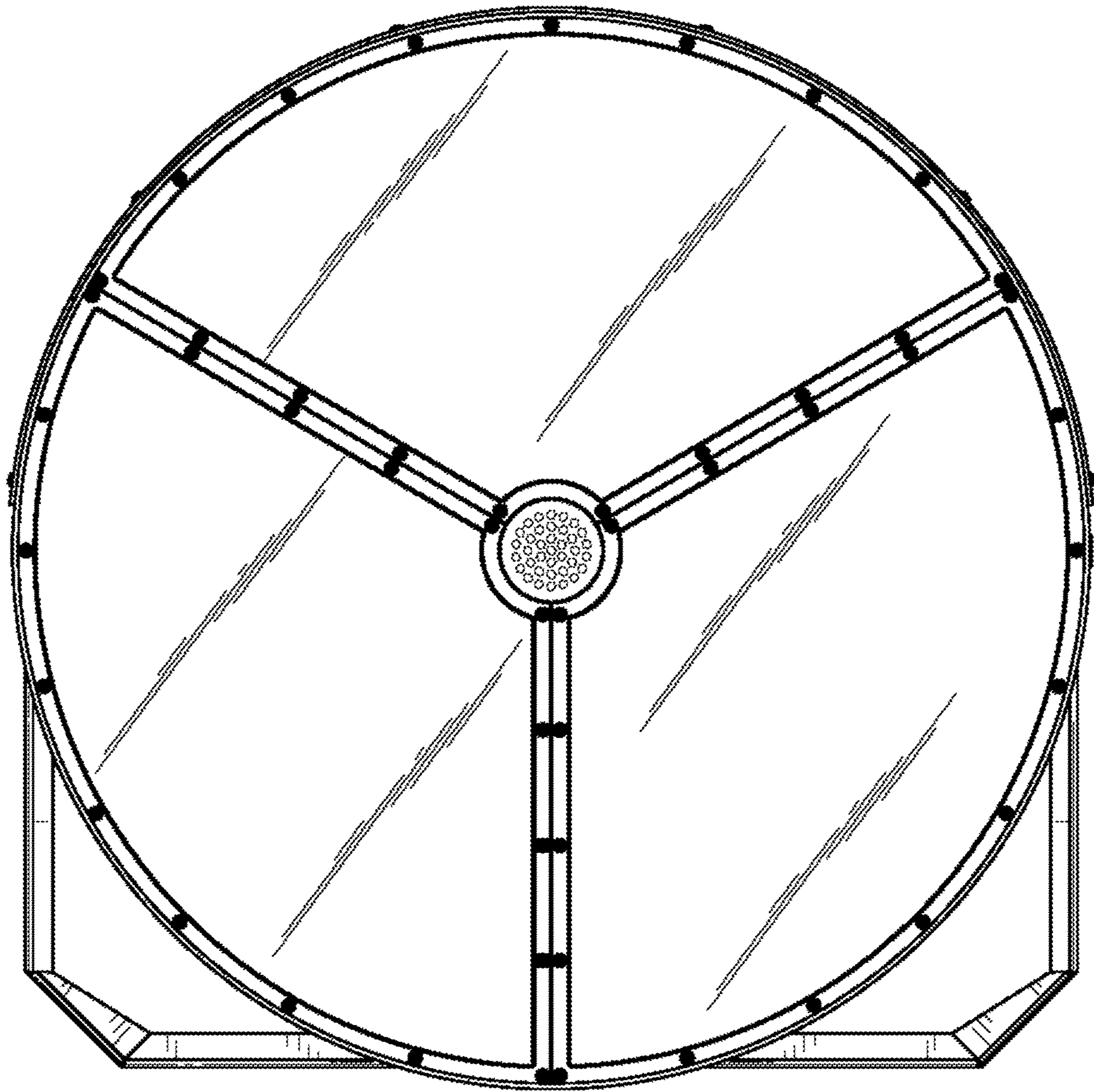


FIG. 1

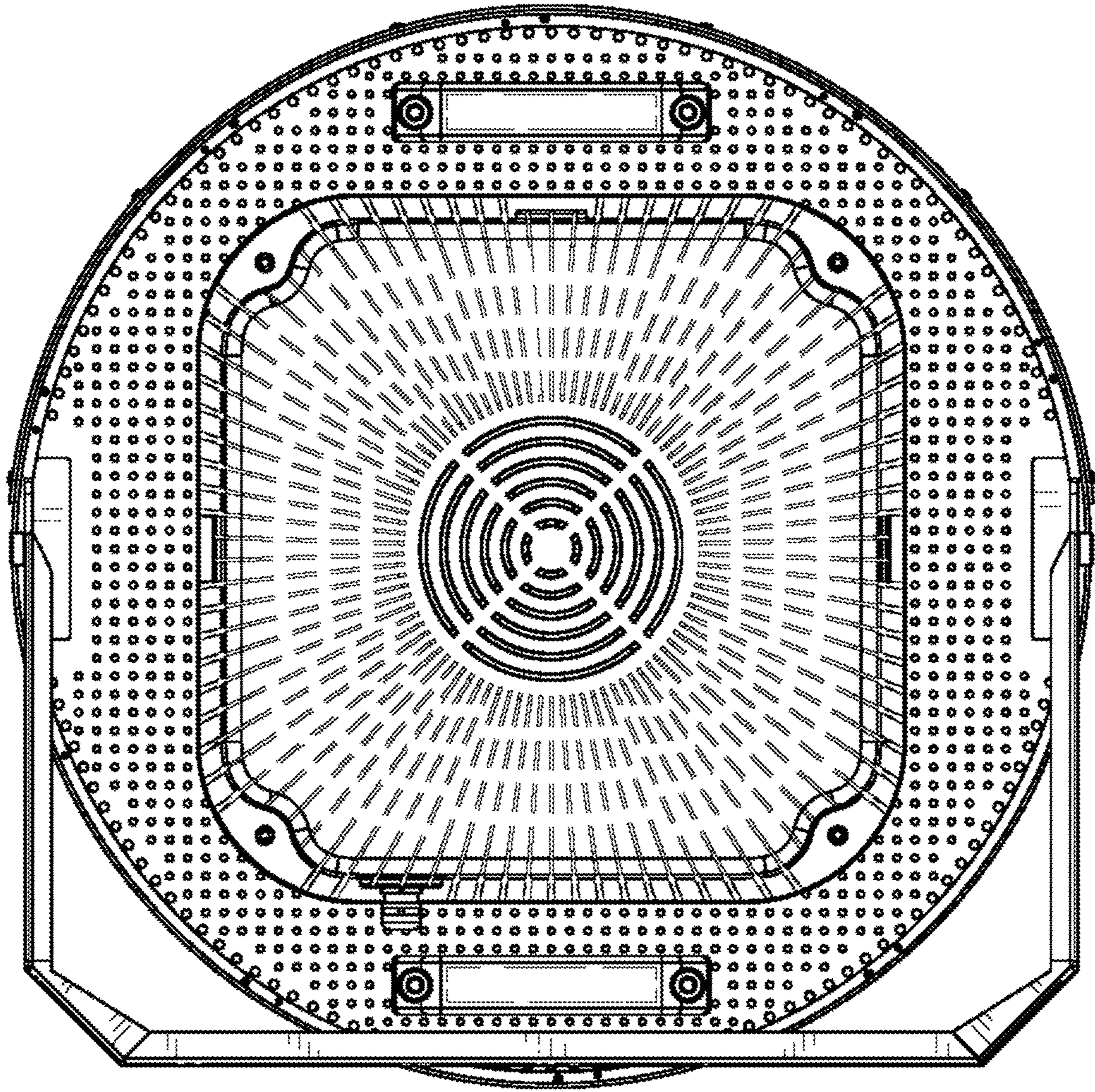


FIG. 2

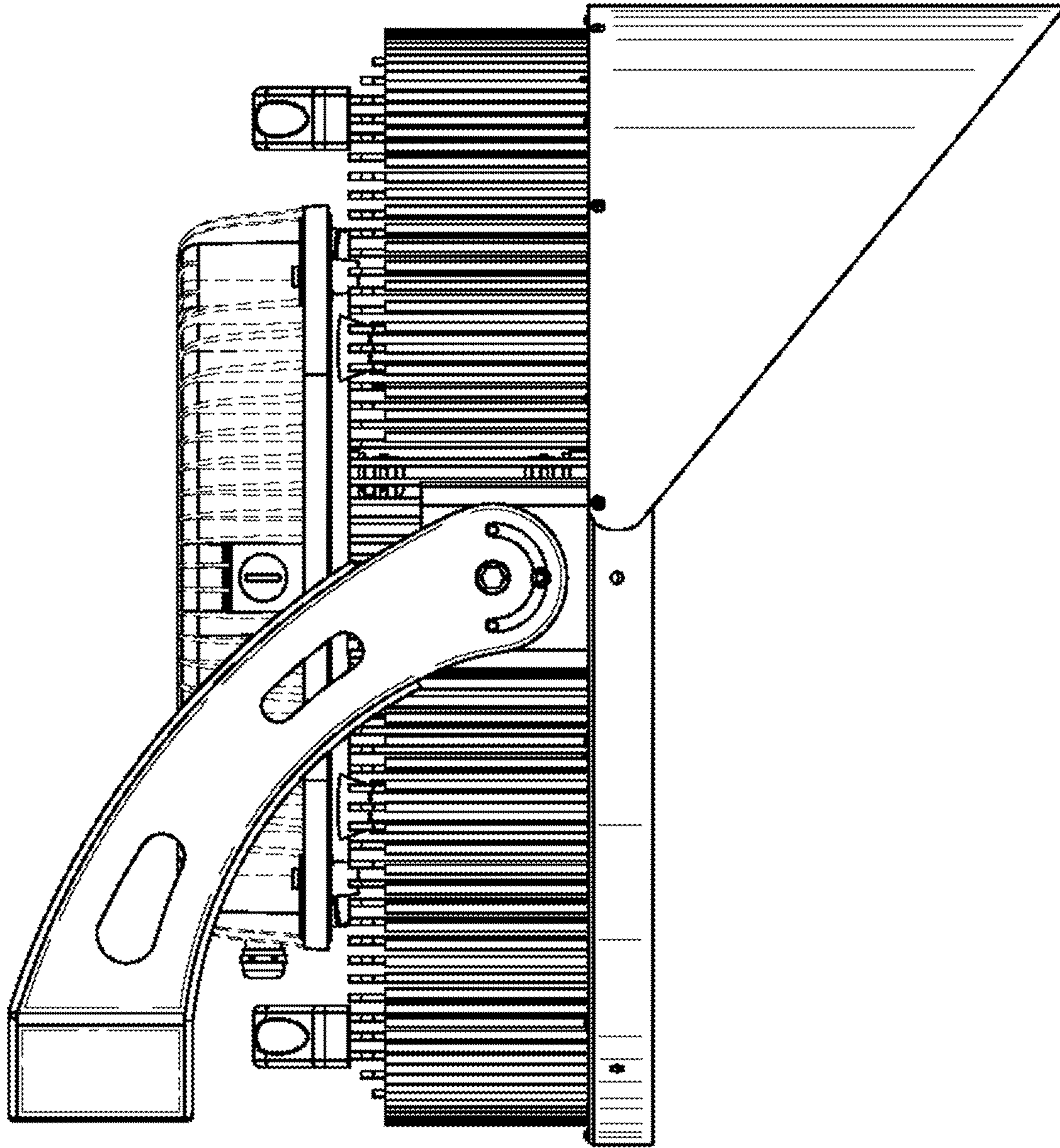


FIG. 3

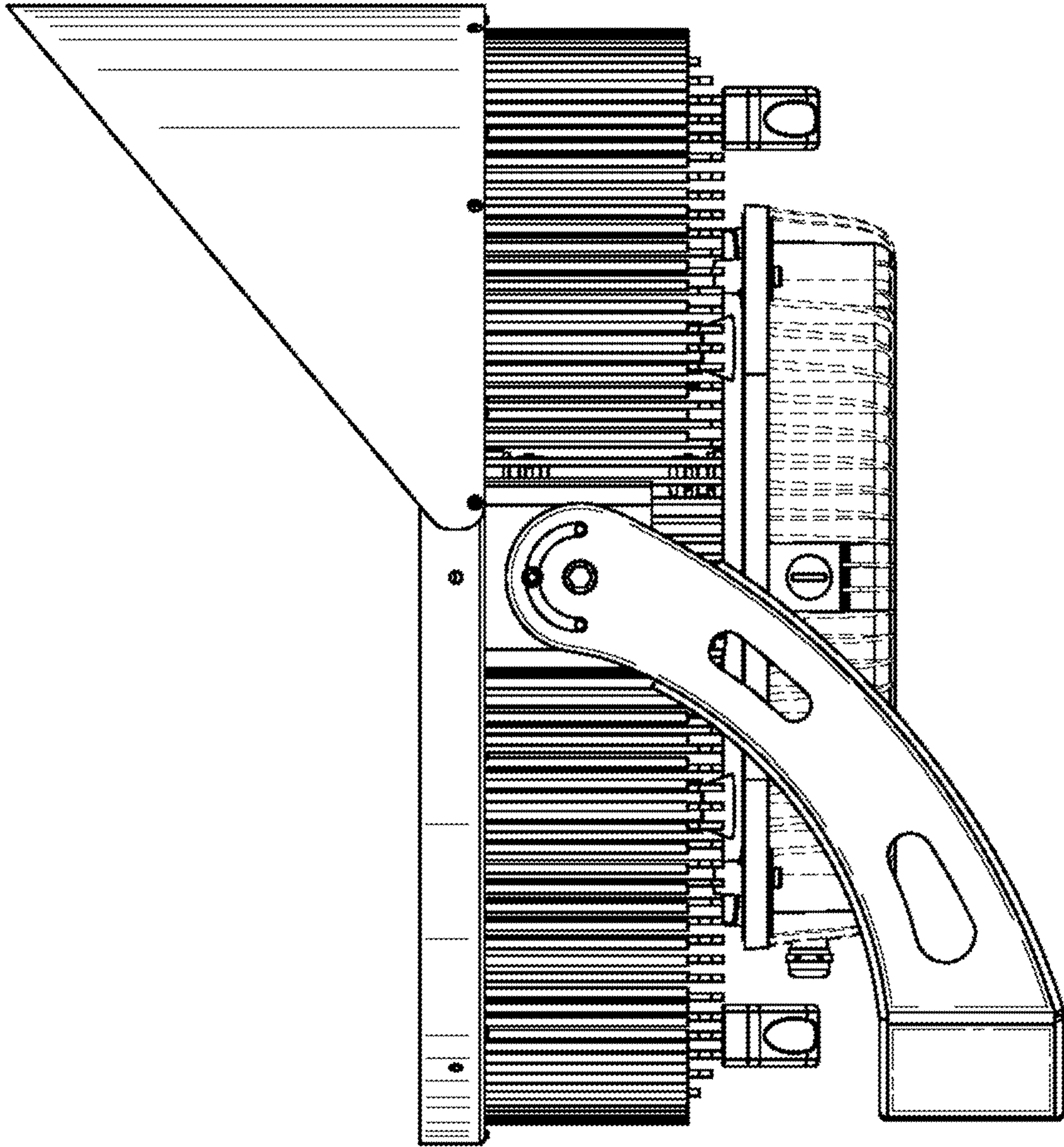


FIG. 4

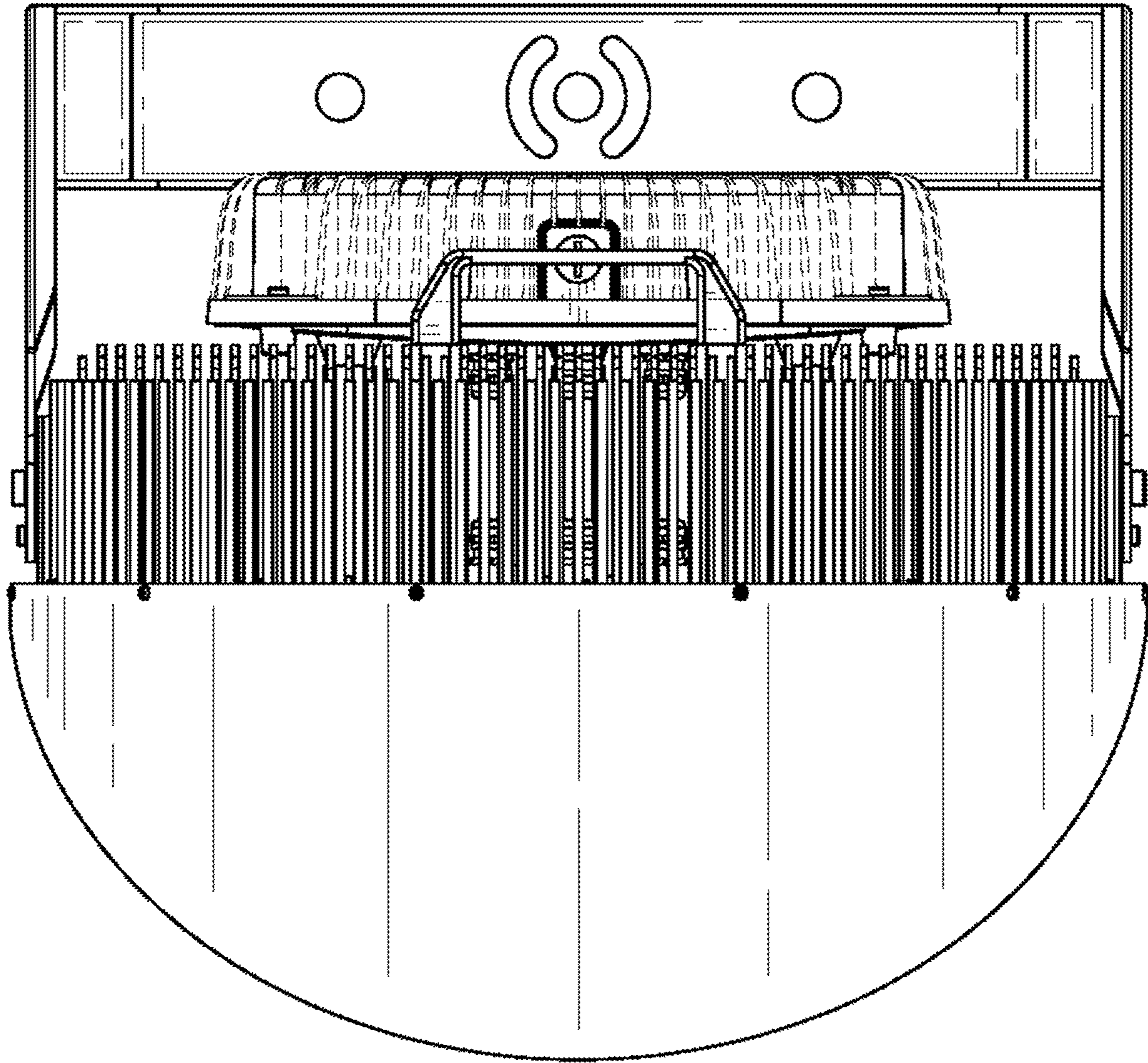


FIG. 5

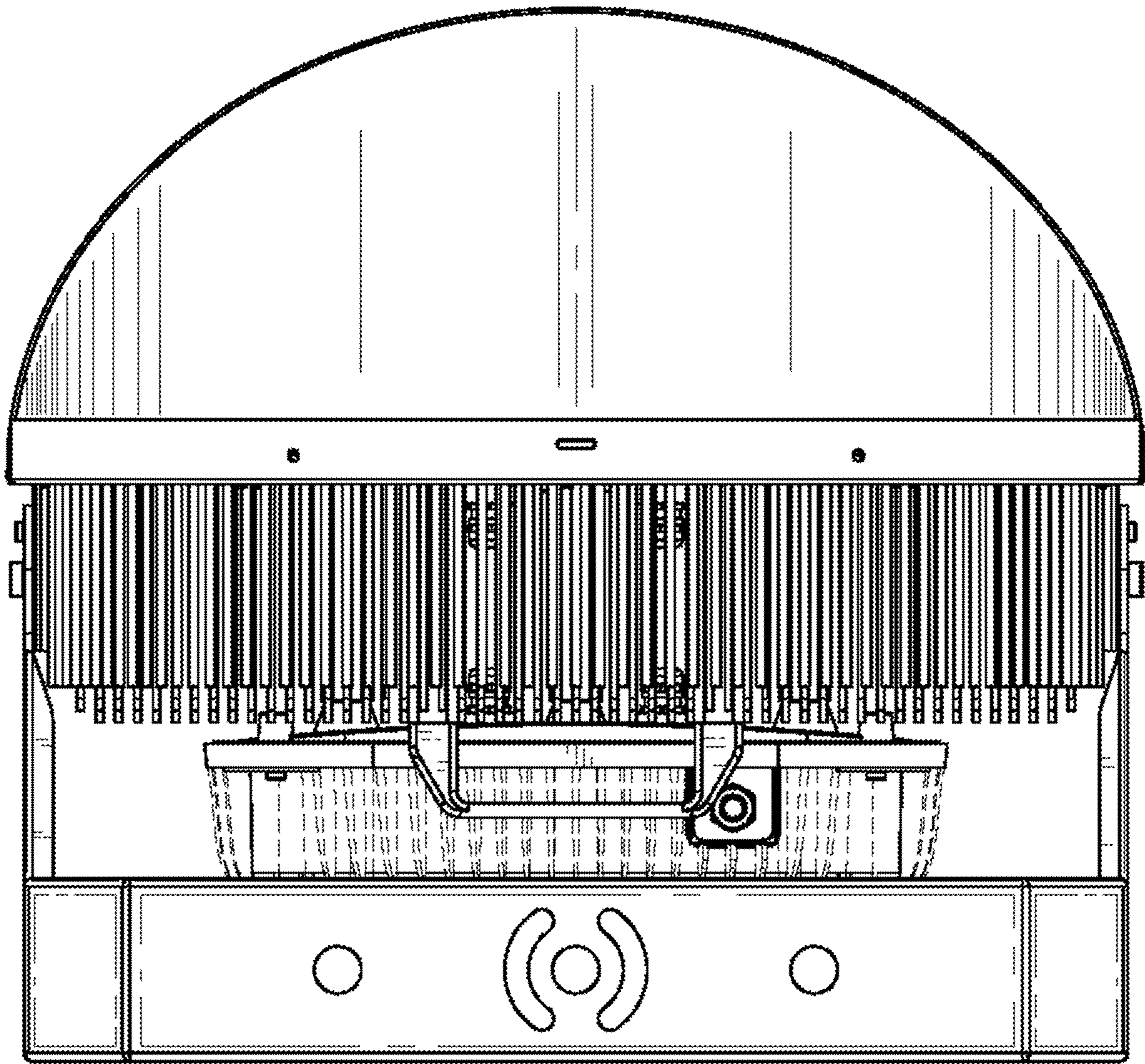


FIG. 6

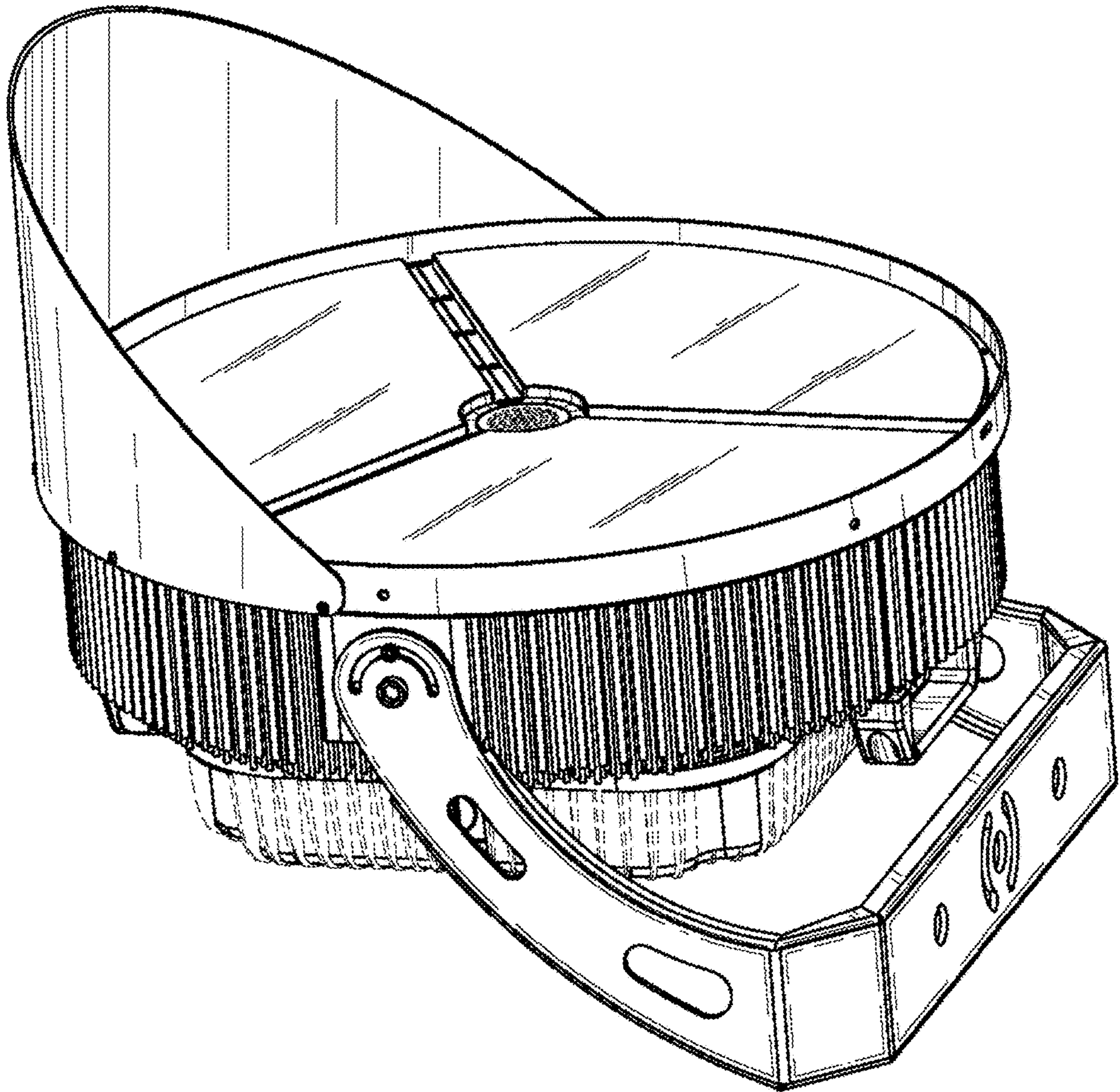


FIG. 7

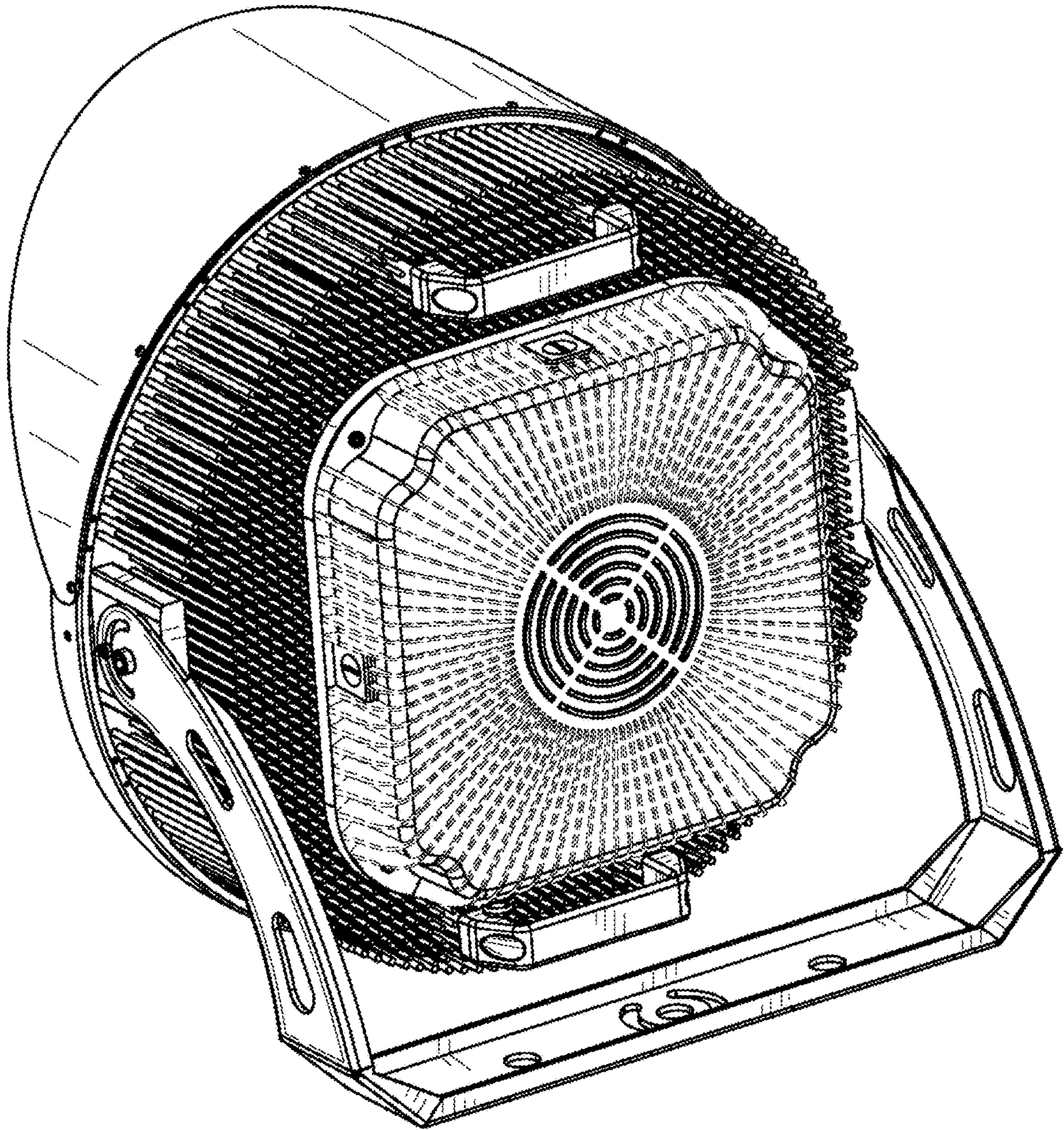


FIG. 8