



US00D891665S

(12) **United States Design Patent**
Nagano

(10) **Patent No.:** **US D891,665 S**
(45) **Date of Patent:** **** Jul. 28, 2020**

(54) **HEADLAMP FOR A BICYCLE**
(71) Applicant: **Cateye Co., Ltd.**, Osaka (JP)
(72) Inventor: **Toshiyuki Nagano**, Osaka (JP)
(73) Assignee: **Cate Eye Co., Ltd.**, Osaka (JP)
(**) Term: **15 Years**

D846,167 S * 4/2019 Tang D26/60
D857,960 S * 8/2019 Worman D26/60
D867,630 S * 11/2019 Benoit D26/60

(21) Appl. No.: **29/671,374**
(22) Filed: **Nov. 27, 2018**

FOREIGN PATENT DOCUMENTS

JP D1481724 10/2013
JP D1497061 5/2014
JP D1547709 4/2016

* cited by examiner

Primary Examiner — Brian N. Vinson

(74) *Attorney, Agent, or Firm* — Joseph M. Kuo

(30) **Foreign Application Priority Data**

May 29, 2018 (JP) 2018-011674

(51) **LOC (12) Cl.** **26-03**

(52) **U.S. Cl.**
USPC **D26/60**

(58) **Field of Classification Search**

USPC D26/28–36, 60–63
CPC B62J 6/001; B62J 6/02; B60Q 9/13; B60Q
9/135; B60Q 9/1375; F21S 48/00; F21S
48/10; F21S 48/115; F21S 48/225; F21S
48/1233; F21S 48/1266; F21S 48/1388;
F21S 48/2268; F21V 21/04

See application file for complete search history.

(56) **References Cited**

U.S. PATENT DOCUMENTS

D800,362 S * 10/2017 Galli D26/60
D814,677 S * 4/2018 Sukphisit D26/60

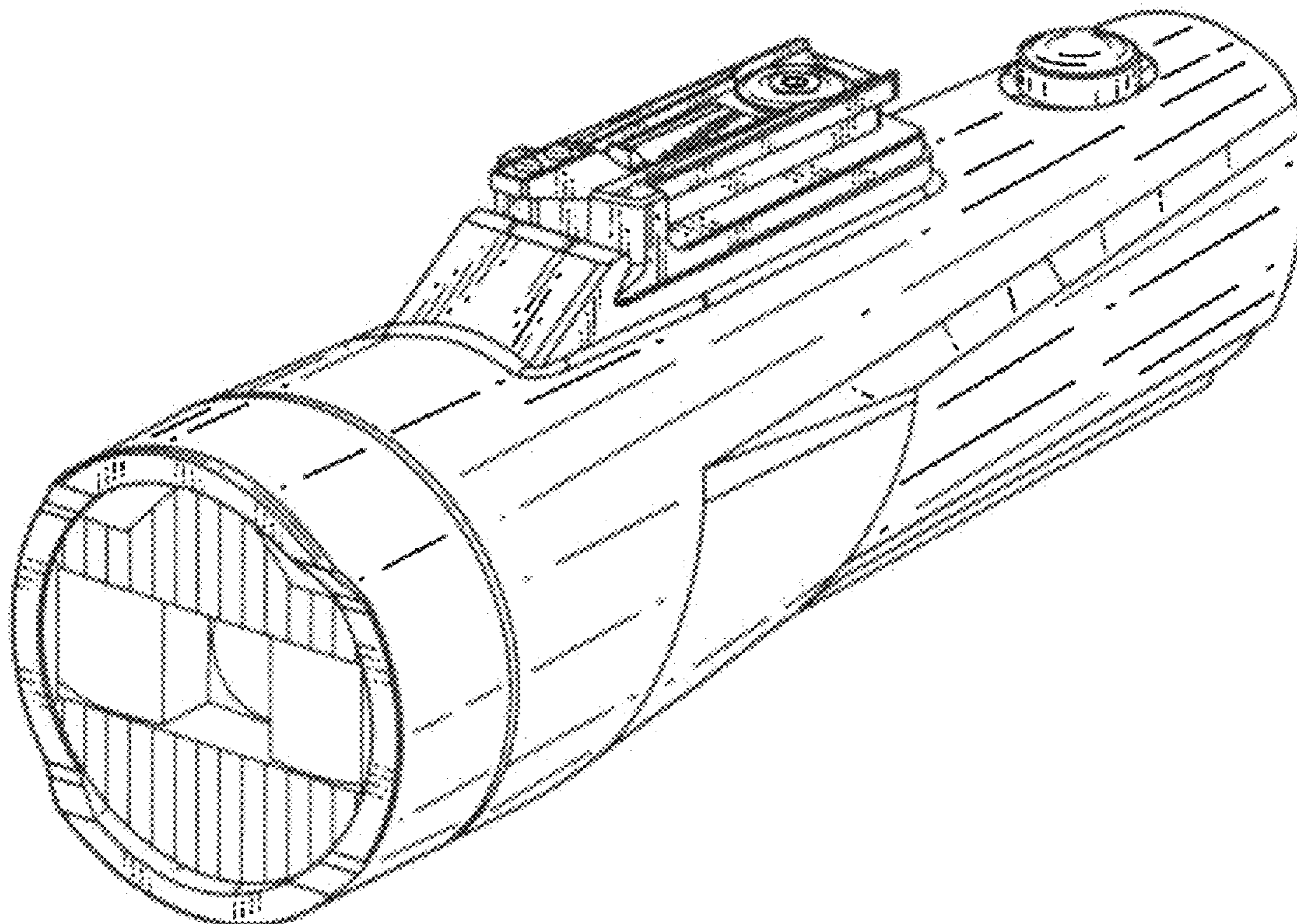
(57) **CLAIM**

The ornamental design for a headlamp for a bicycle, as shown.

DESCRIPTION

FIG. 1 is a perspective view of a headlamp for a bicycle showing my new design;
FIG. 2 is a front elevational view thereof;
FIG. 3 is a rear elevational view thereof;
FIG. 4 is a right side view thereof;
FIG. 5 is a left side view thereof;
FIG. 6 is a top plan view thereof; and,
FIG. 7 is a bottom plan view thereof.

1 Claim, 5 Drawing Sheets



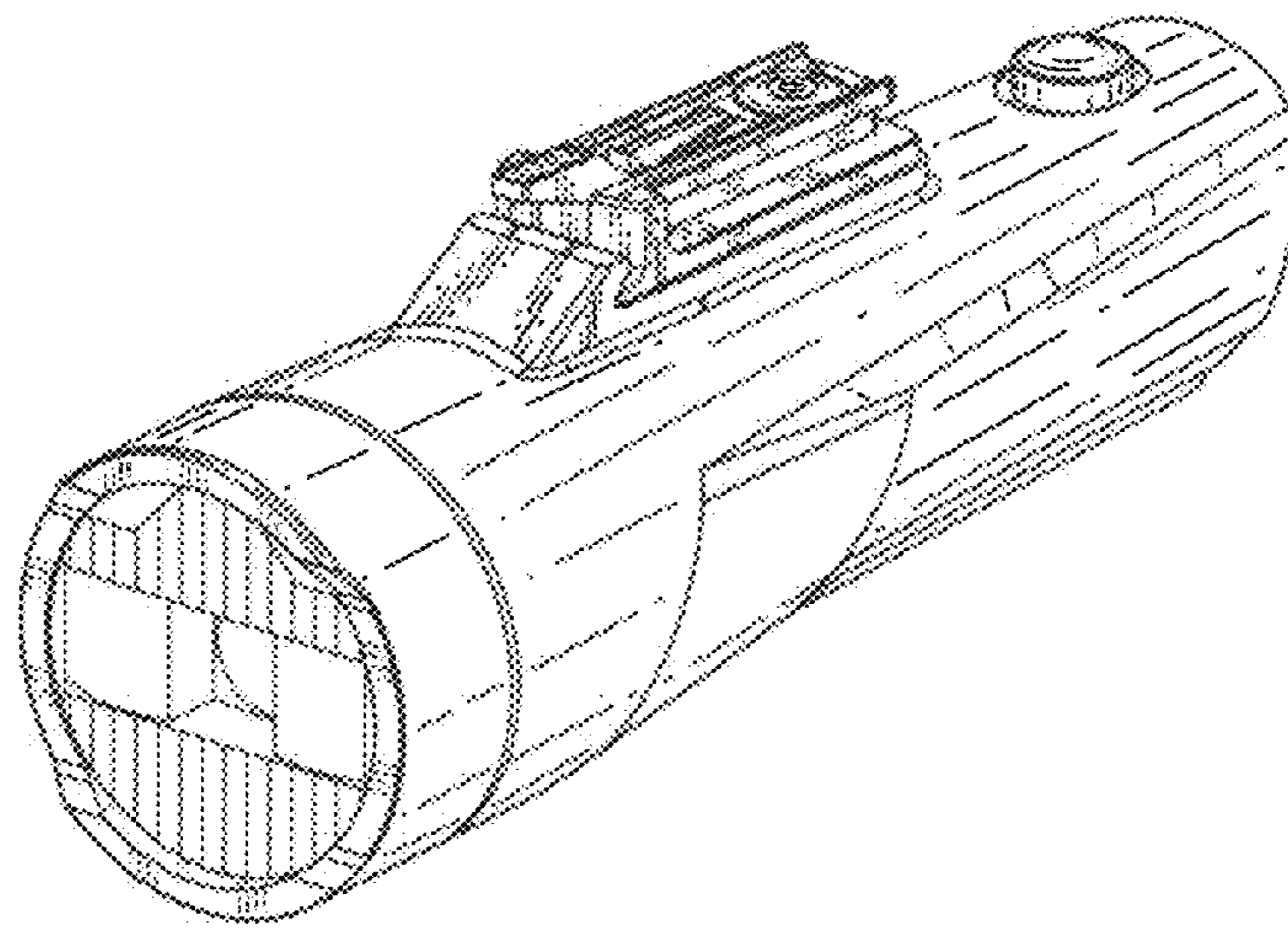


Fig. 1

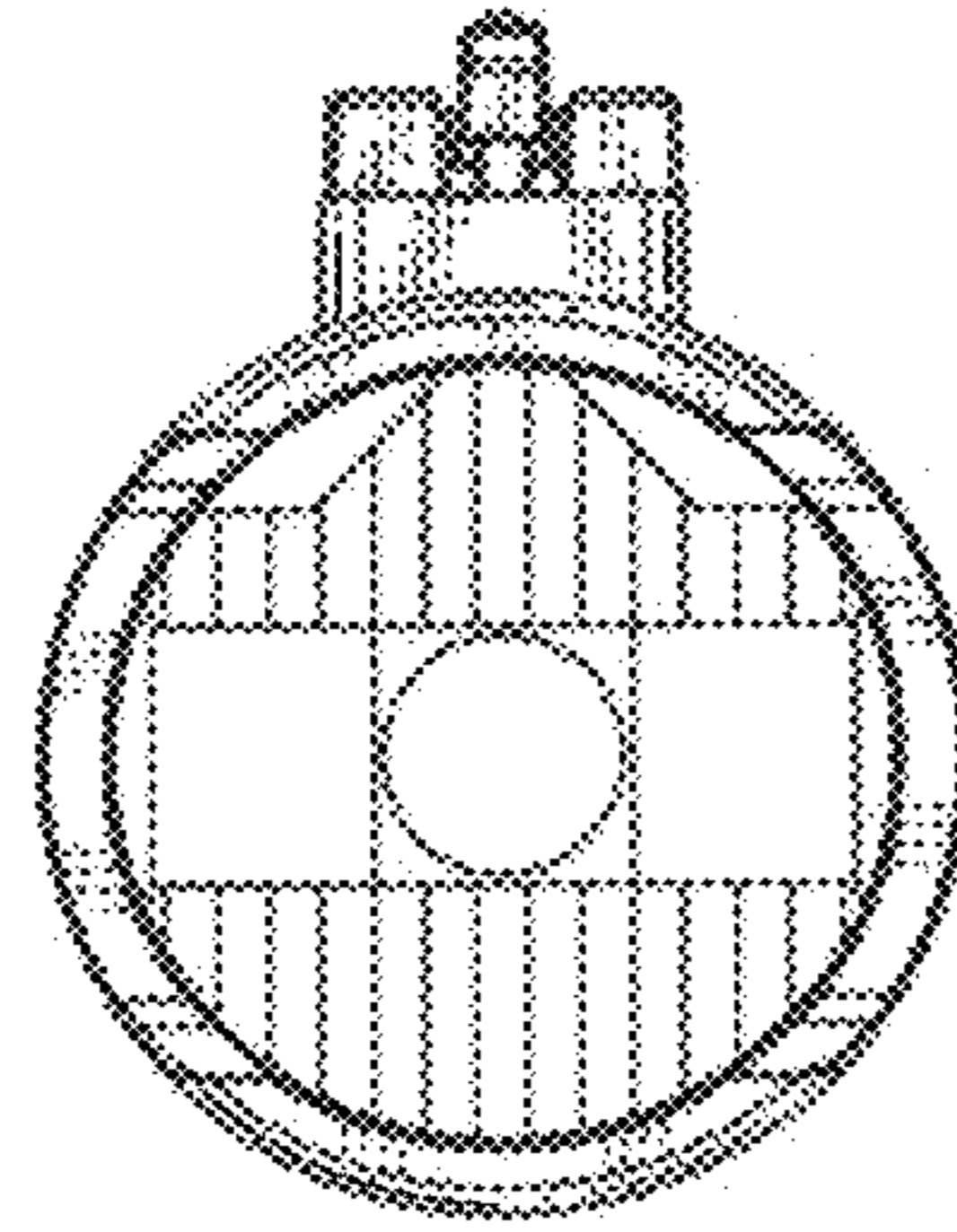


Fig. 2

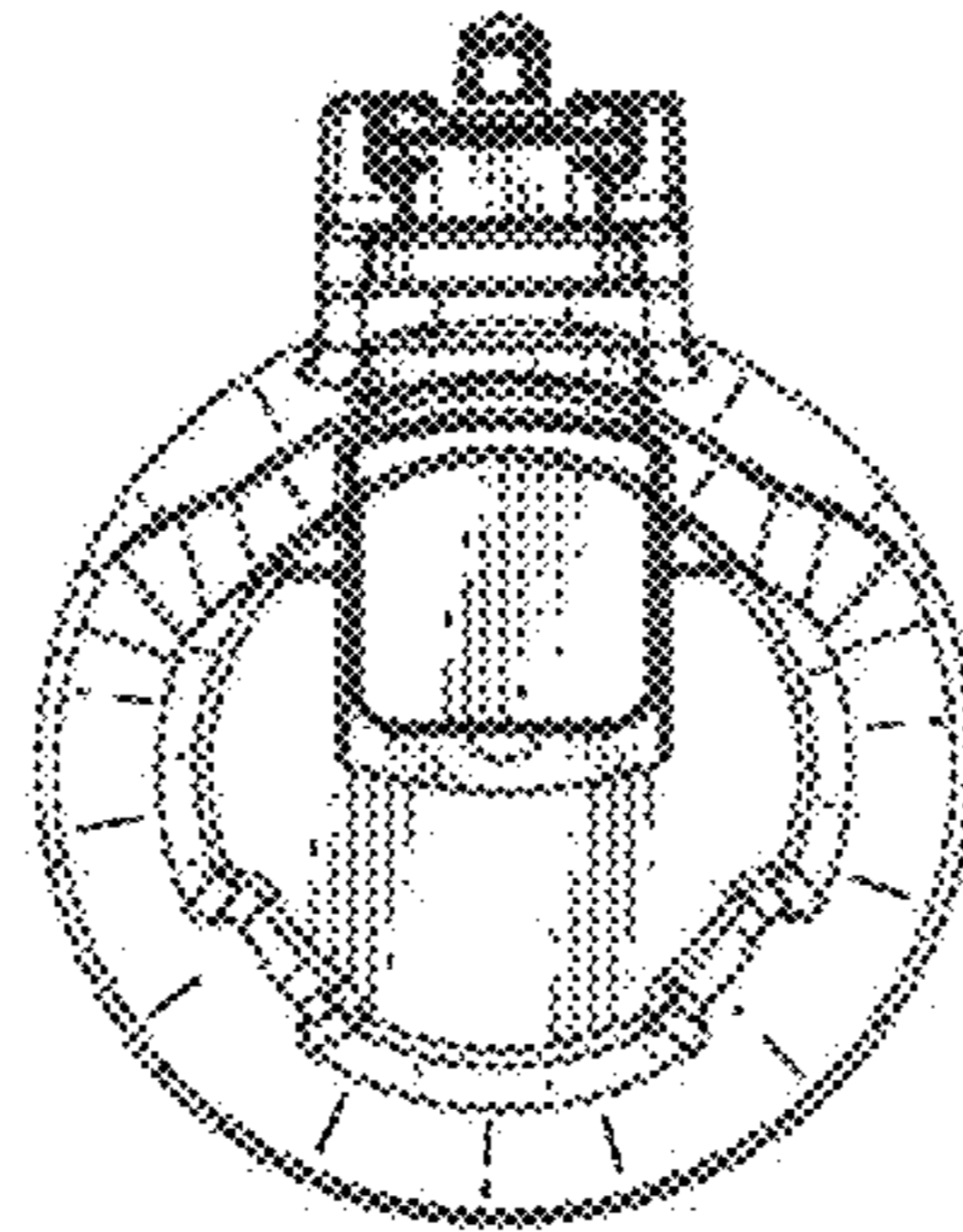


Fig. 3

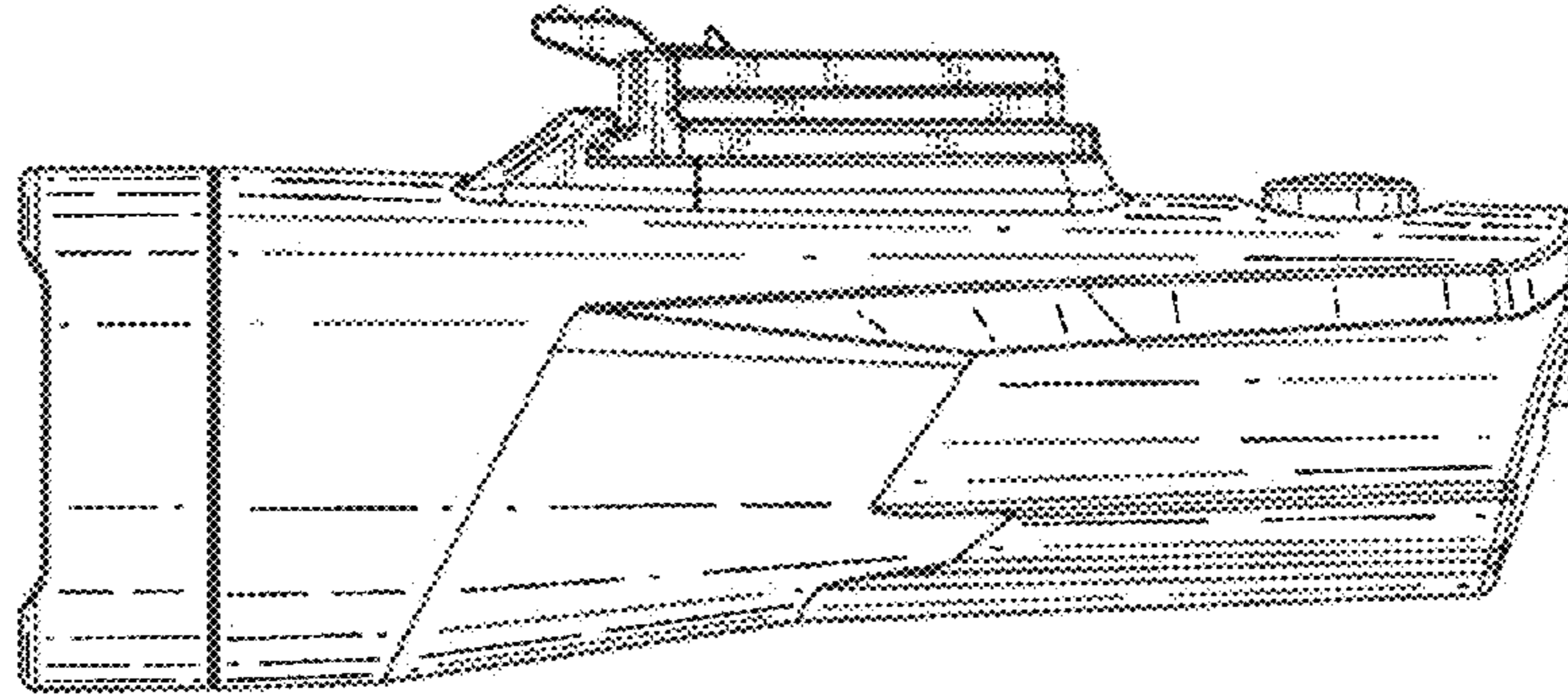


Fig. 4

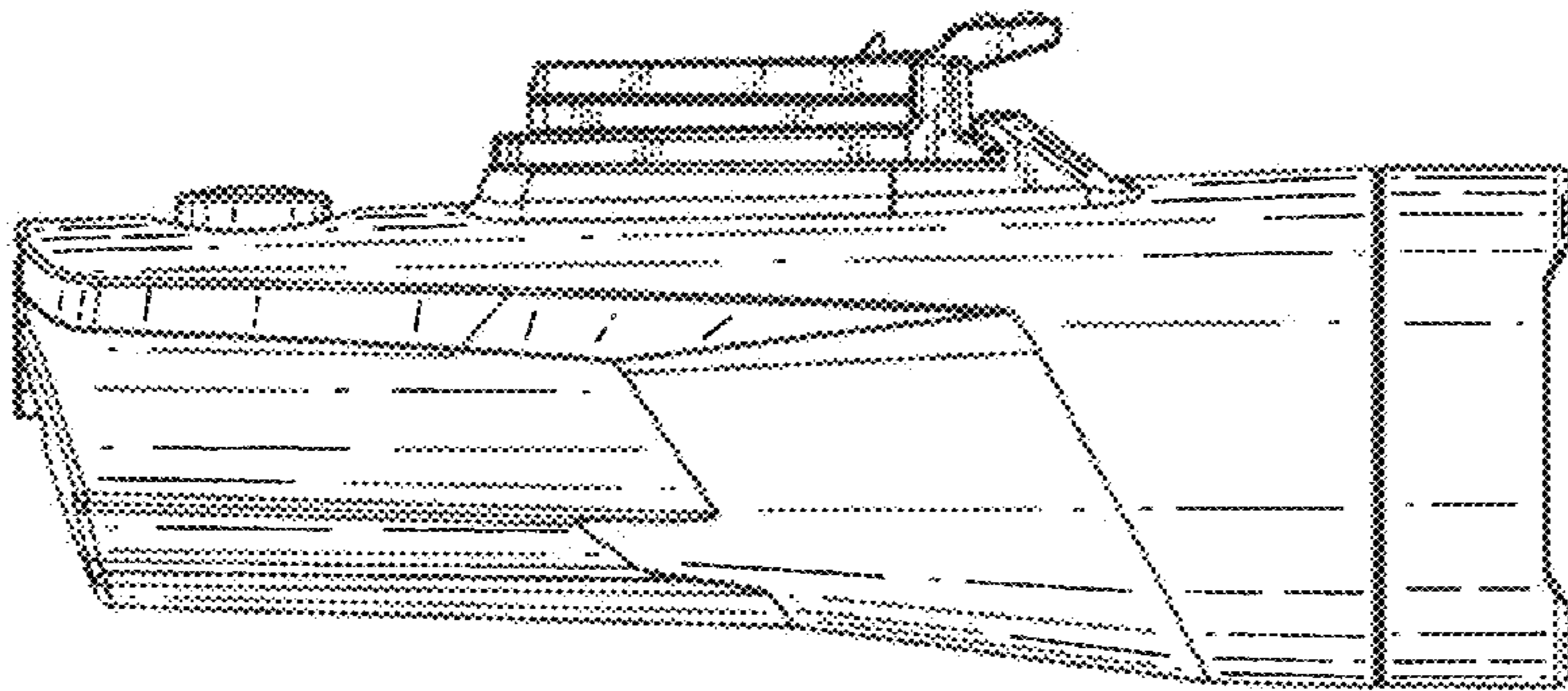


Fig. 5

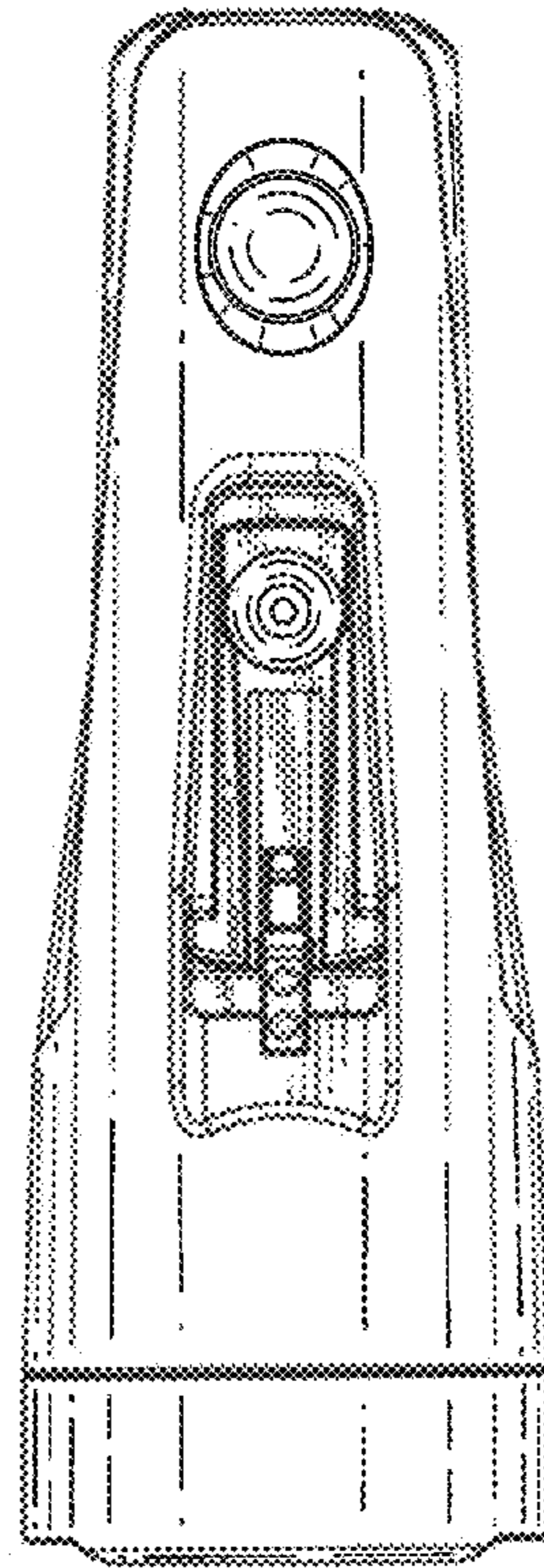


Fig. 6

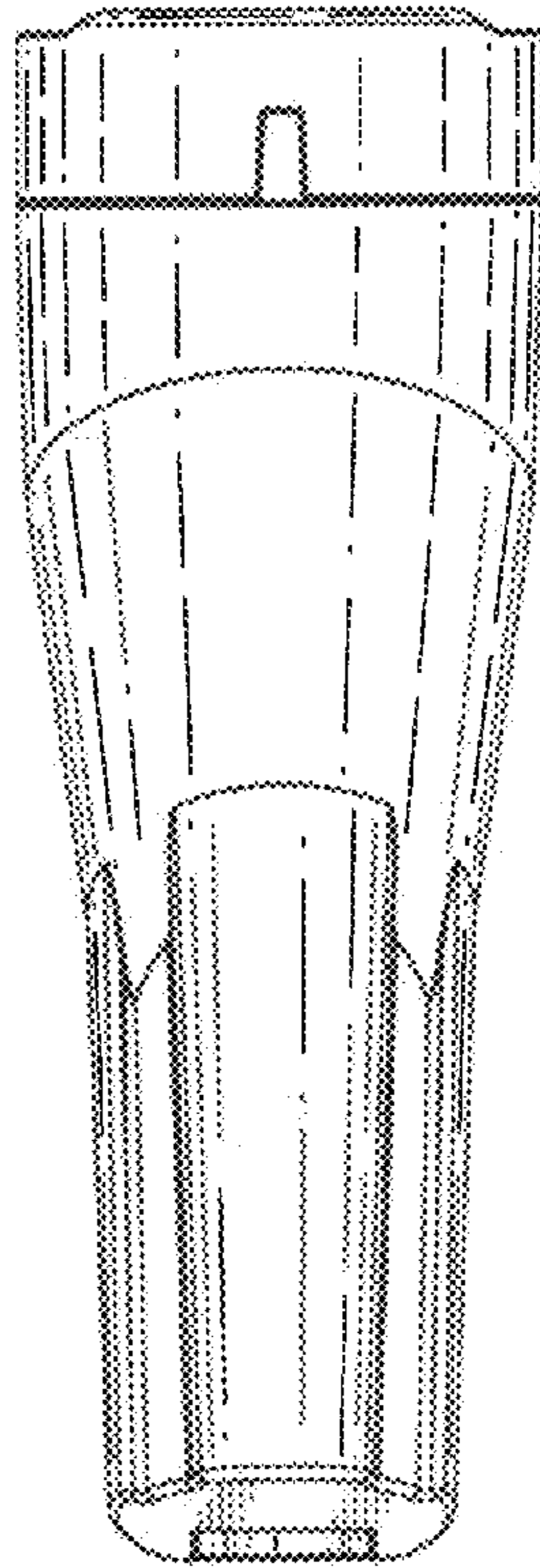


Fig. 7