



US00D891664S

(12) **United States Design Patent**
Chen

(10) **Patent No.:** **US D891,664 S**
(45) **Date of Patent:** **** Jul. 28, 2020**

(54) **LIGHT FIXTURE**

D772,605 S * 11/2016 Tsai D6/566
D835,322 S * 12/2018 Nicholas D26/81
D865,262 S * 10/2019 Chen D26/81

(71) Applicant: **Chia-Teh Chen**, Taipei (TW)

(72) Inventor: **Chia-Teh Chen**, Taipei (TW)

(**) Term: **15 Years**

(21) Appl. No.: **29/658,552**

(22) Filed: **Aug. 1, 2018**

(51) **LOC (12) Cl.** **26-05**

(52) **U.S. Cl.**

USPC **D26/51**

(58) **Field of Classification Search**

USPC D26/51, 72, 80, 81, 88-91; D6/513
CPC F21S 8/00; F21S 8/046; F21S 8/06; F21S
8/061; F21S 8/04; F21S 8/043; F21S
8/063; F21S 8/065; F21S 8/068; F21S
8/083; F21V 33/00; F21V 33/0024; A47J
45/02; A47J 47/16; A47F 5/0838

See application file for complete search history.

(56) **References Cited**

U.S. PATENT DOCUMENTS

D392,133 S * 3/1998 Chen D6/513
D406,972 S * 3/1999 McCoy D6/513
D408,666 S * 4/1999 Sorensen D6/513
D455,922 S * 4/2002 Rafoth D6/513
D468,942 S * 1/2003 Rafoth D6/513
D469,286 S * 1/2003 Rafoth D6/513
D499,284 S * 12/2004 Rafoth D6/513
D504,585 S * 5/2005 Rafoth D6/513
D504,586 S * 5/2005 Rafoth D6/513
D505,286 S * 5/2005 Rafoth D6/513
D508,179 S * 8/2005 Brown D6/513
D518,669 S * 4/2006 Rafoth D6/513
9,144,349 B2 * 9/2015 Groll A47J 45/02

OTHER PUBLICATIONS

Elegant Designs PR1000-ORB Home Collection 2 Light Kitchen Pot Rack. Posted by Cita Cito on YouTube. Date uploaded Oct. 5, 2019 [site visited Mar. 12, 2020]. Retrieved from Internet, <https://www.youtube.com/watch?v=AF2SWAcP8wc> (Year: 2019).*

* cited by examiner

Primary Examiner — Sheryl Lane

Assistant Examiner — Stacey L Hopkins

(74) *Attorney, Agent, or Firm* — Li & Cai Intellectual Property (USA) Office

(57) **CLAIM**

The ornamental design for a light fixture, as shown and described.

DESCRIPTION

FIG. 1 is a front and top perspective view of a light fixture showing my new design;

FIG. 2 is a front view thereof;

FIG. 3 is a rear view thereof;

FIG. 4 is a left side view thereof;

FIG. 5 is a right side view thereof;

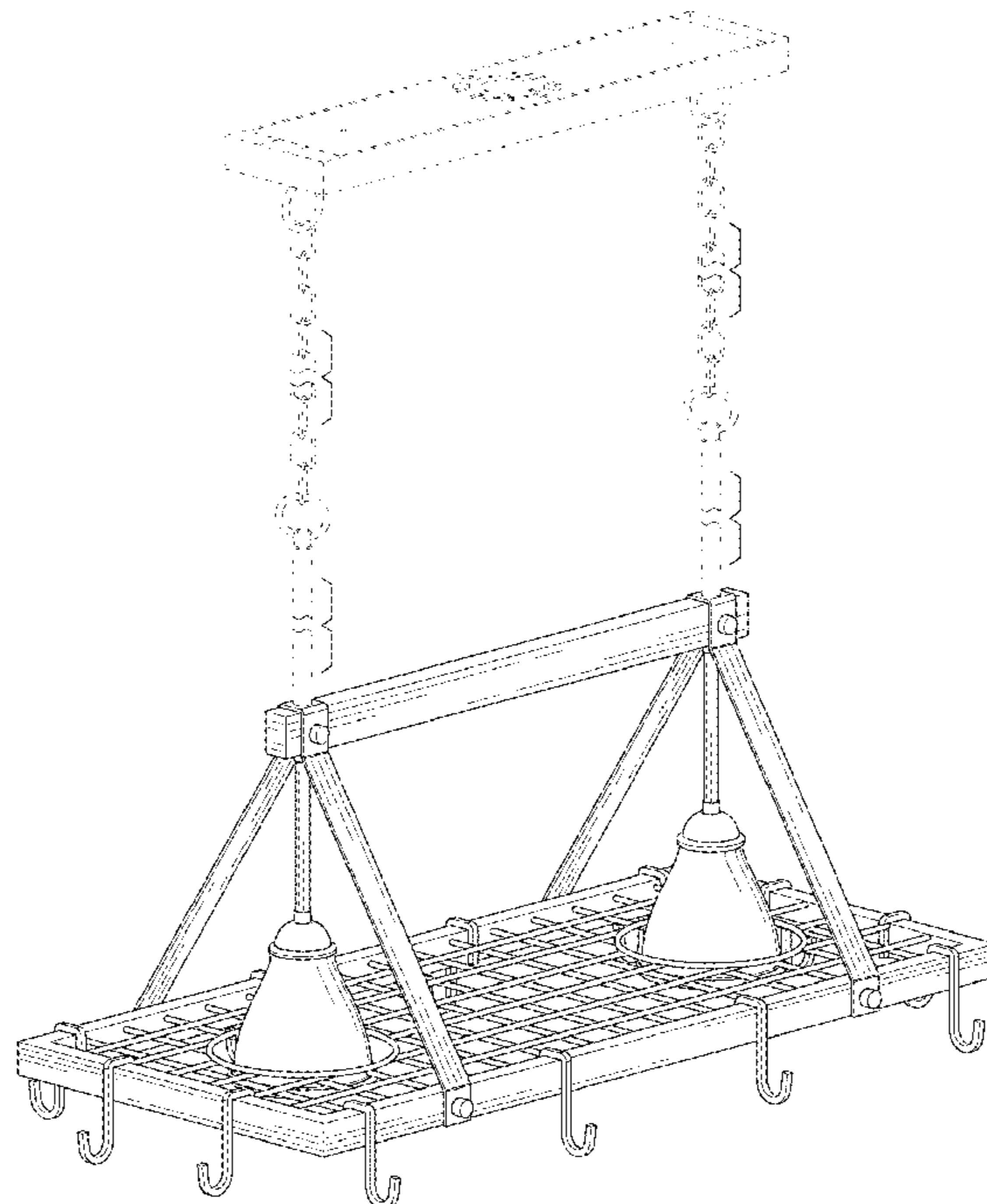
FIG. 6 is a top view thereof;

FIG. 7 is a bottom view thereof; and,

FIG. 8 is a rear and bottom perspective view thereof.

The broken lines depict portions of the light fixture in which the design is embodied that form no part of the claimed design.

1 Claim, 8 Drawing Sheets



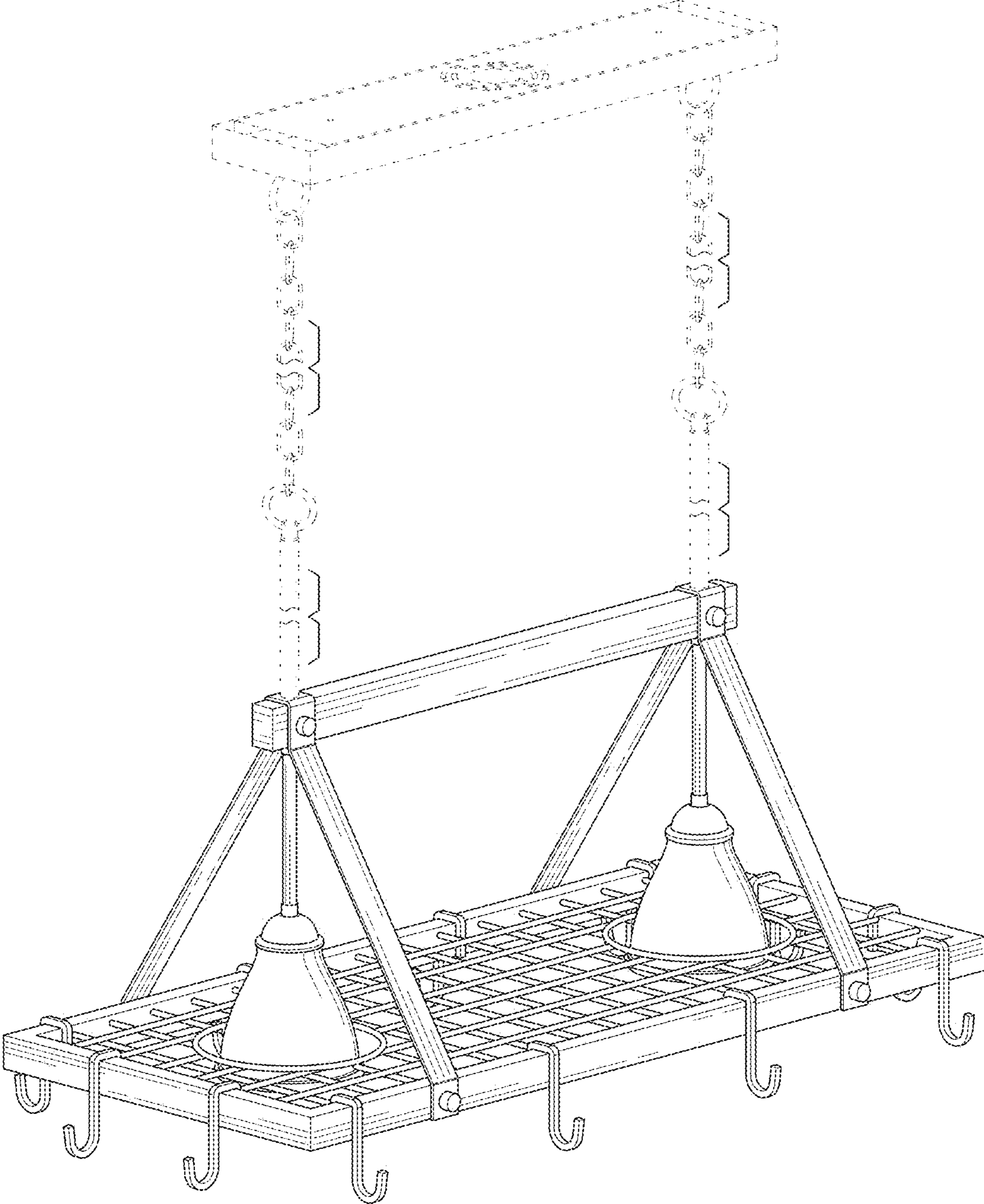


FIG. 1

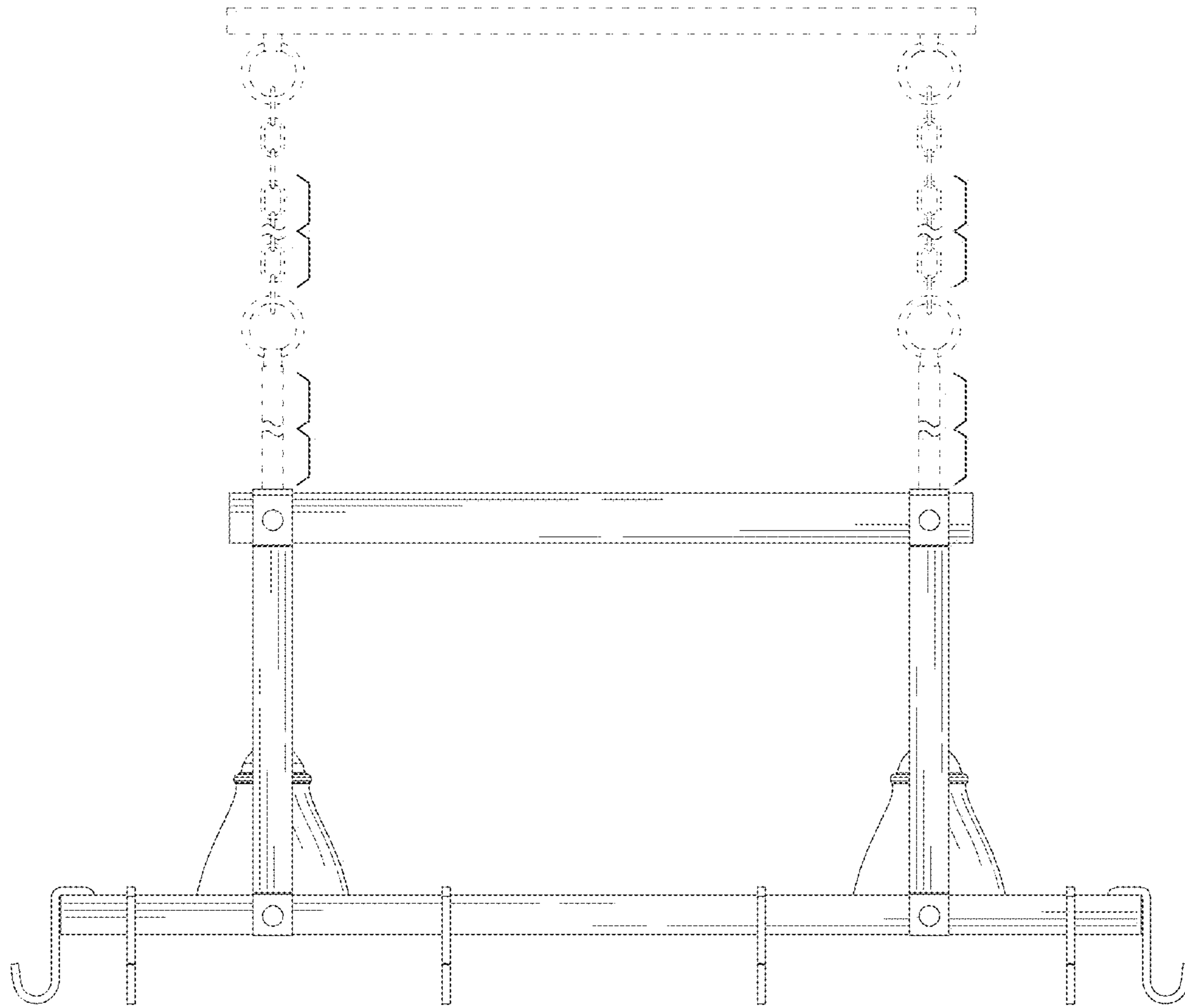


FIG. 2

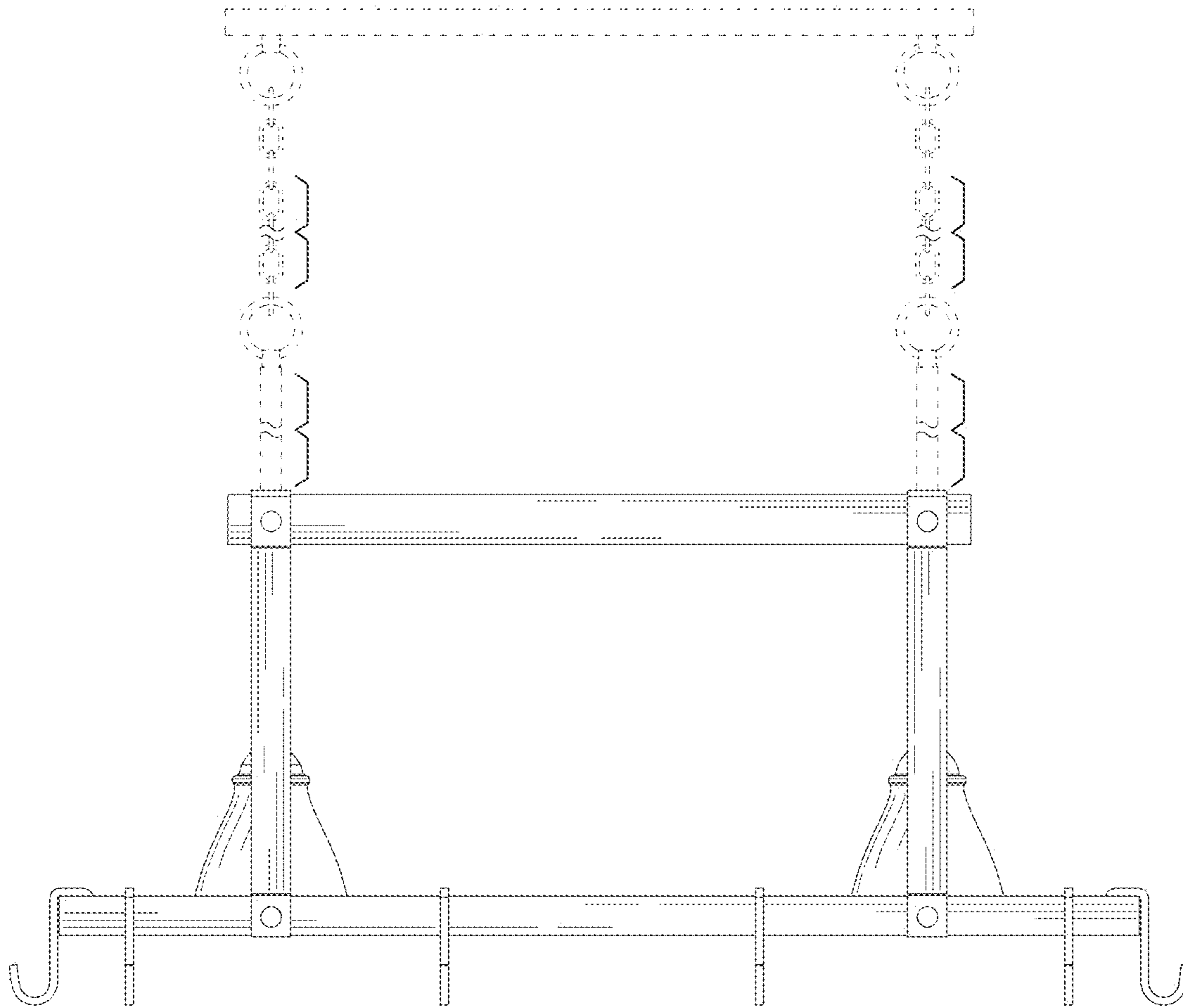


FIG. 3

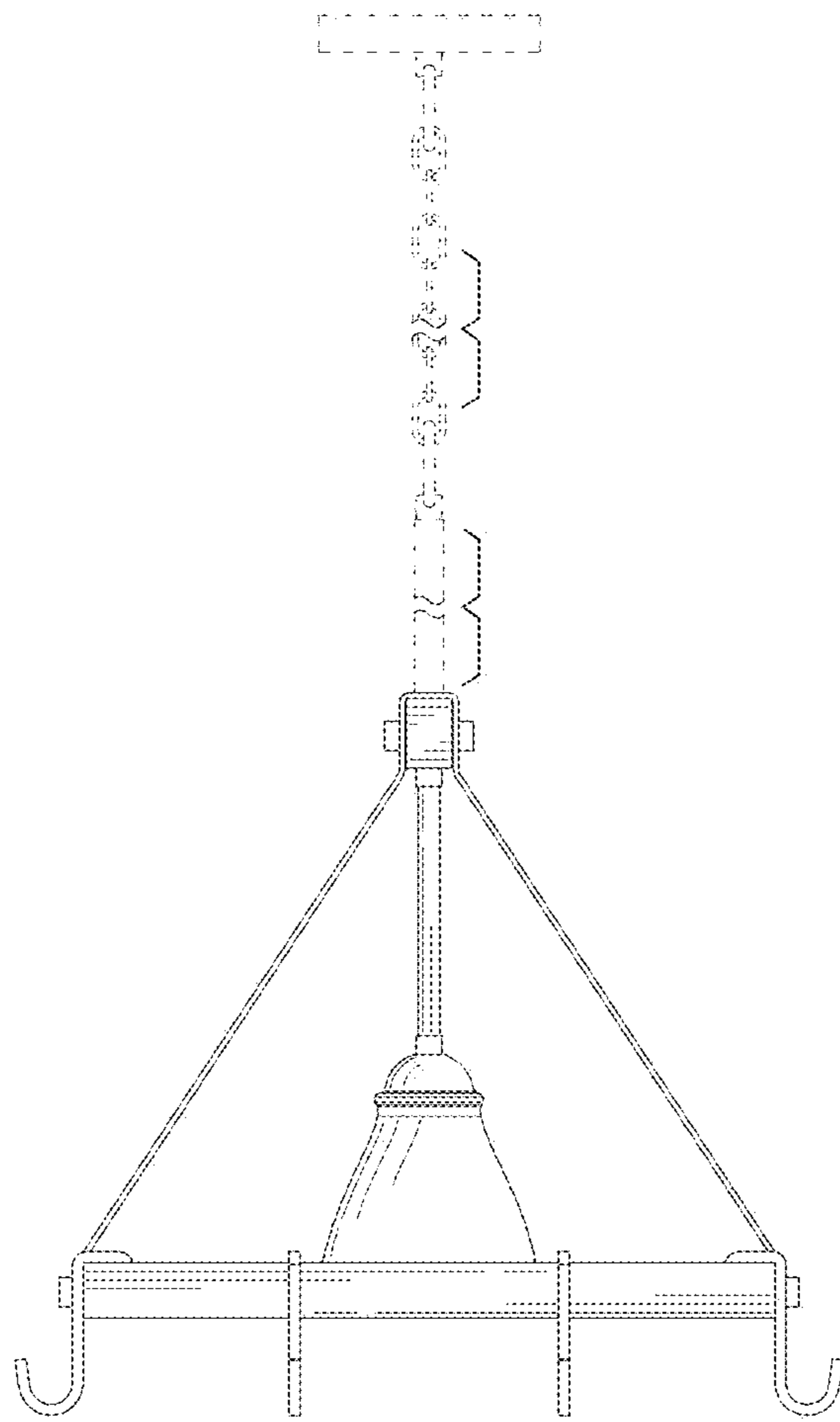


FIG. 4

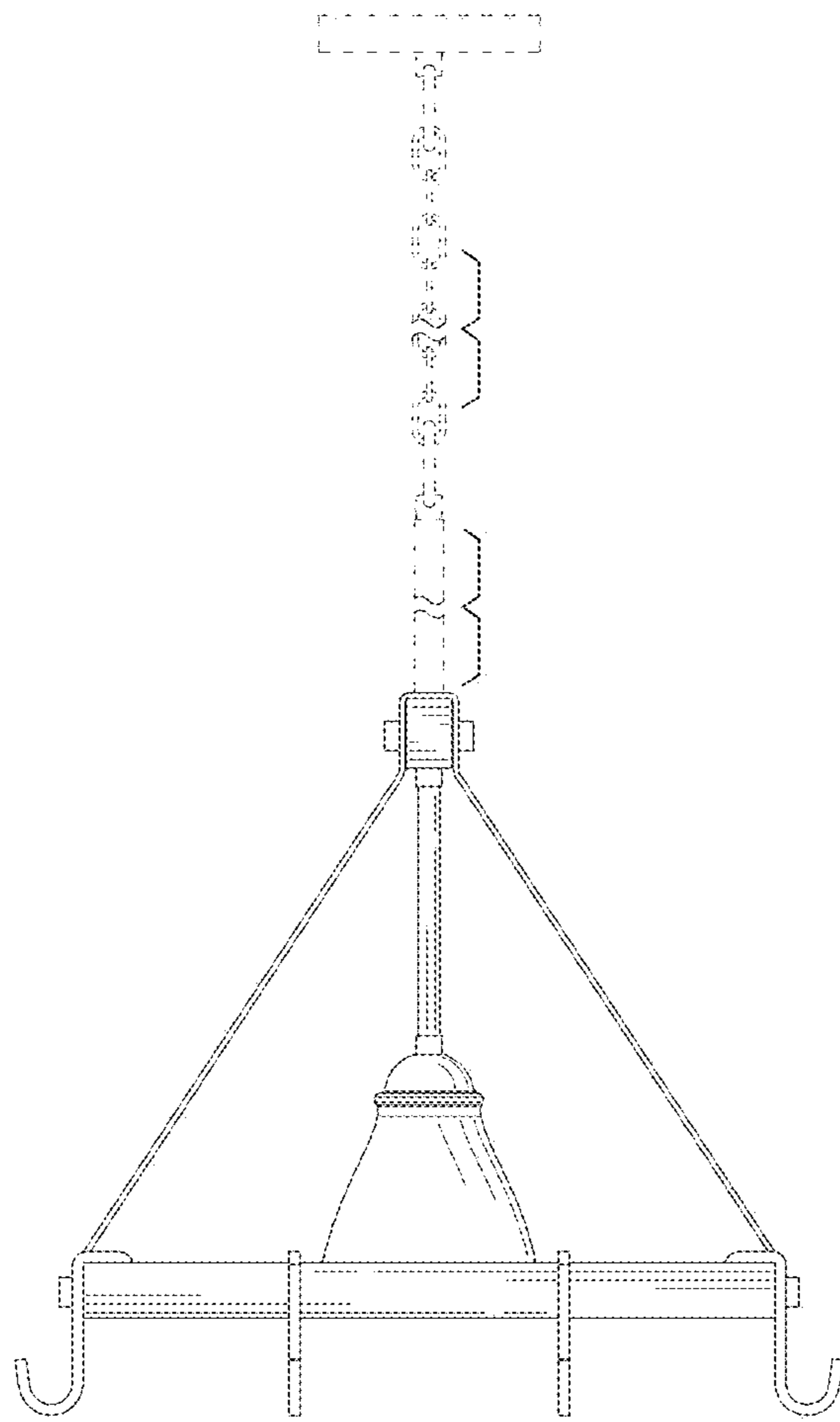


FIG. 5

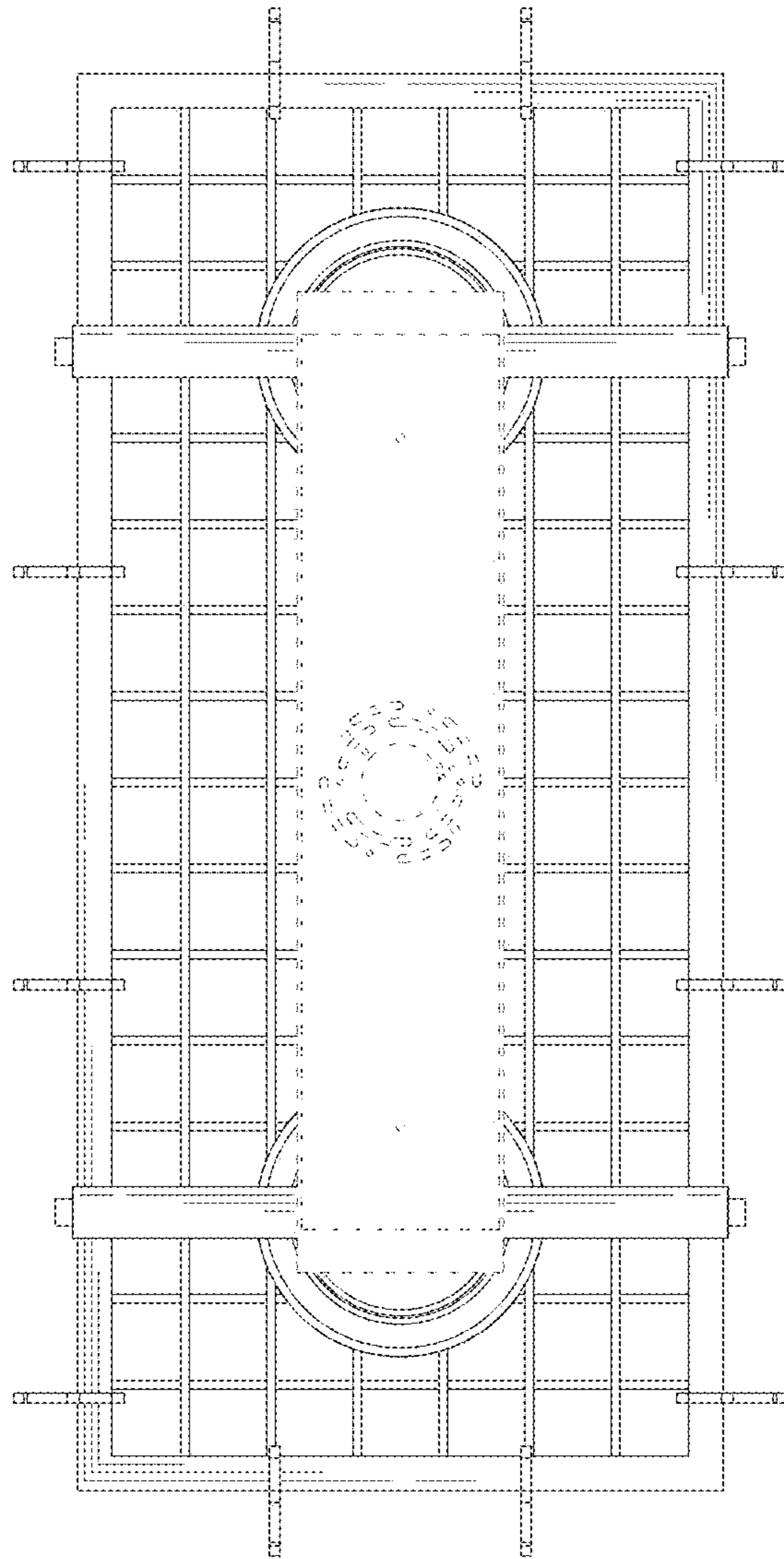


FIG. 6

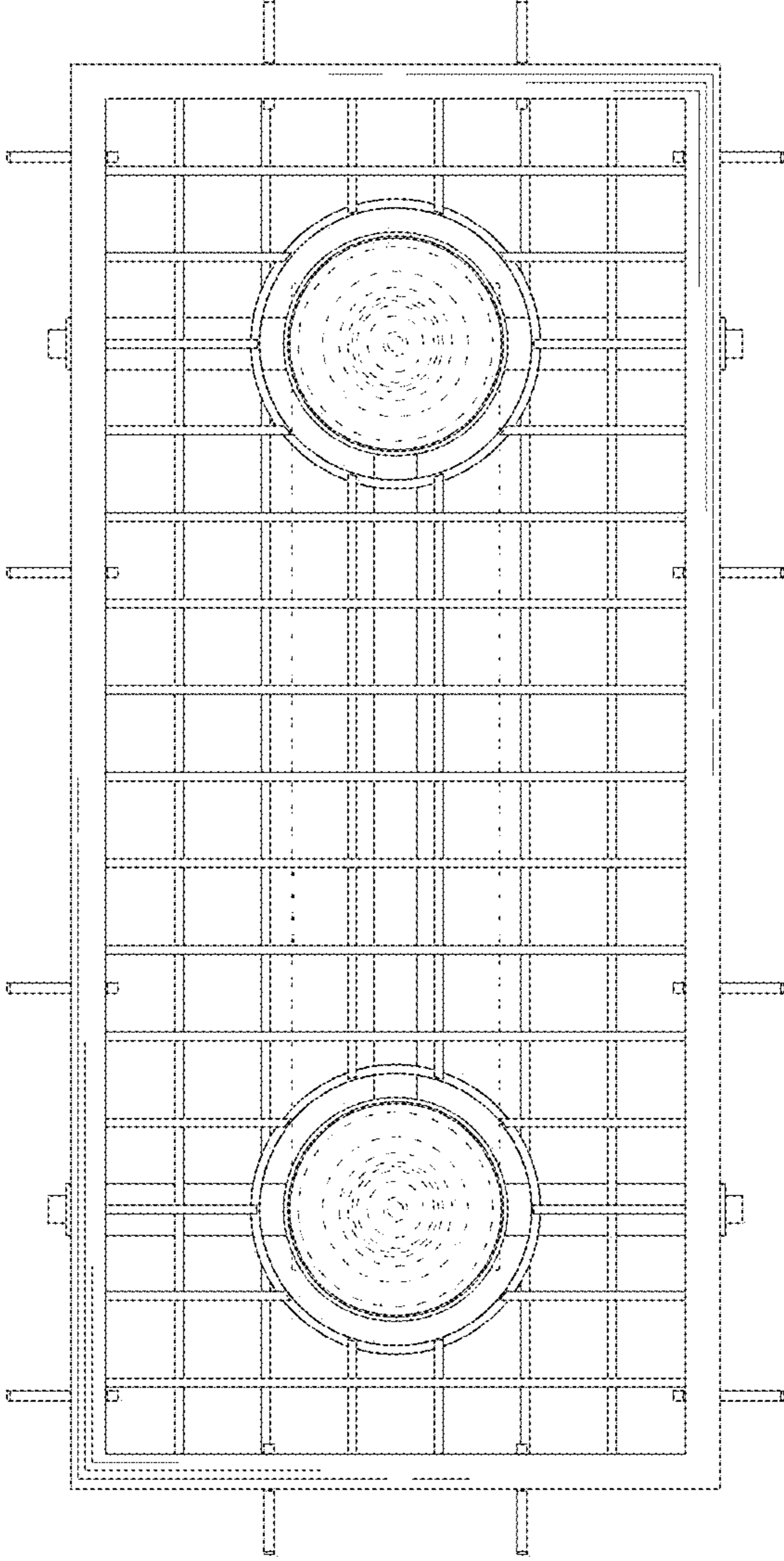


FIG. 7

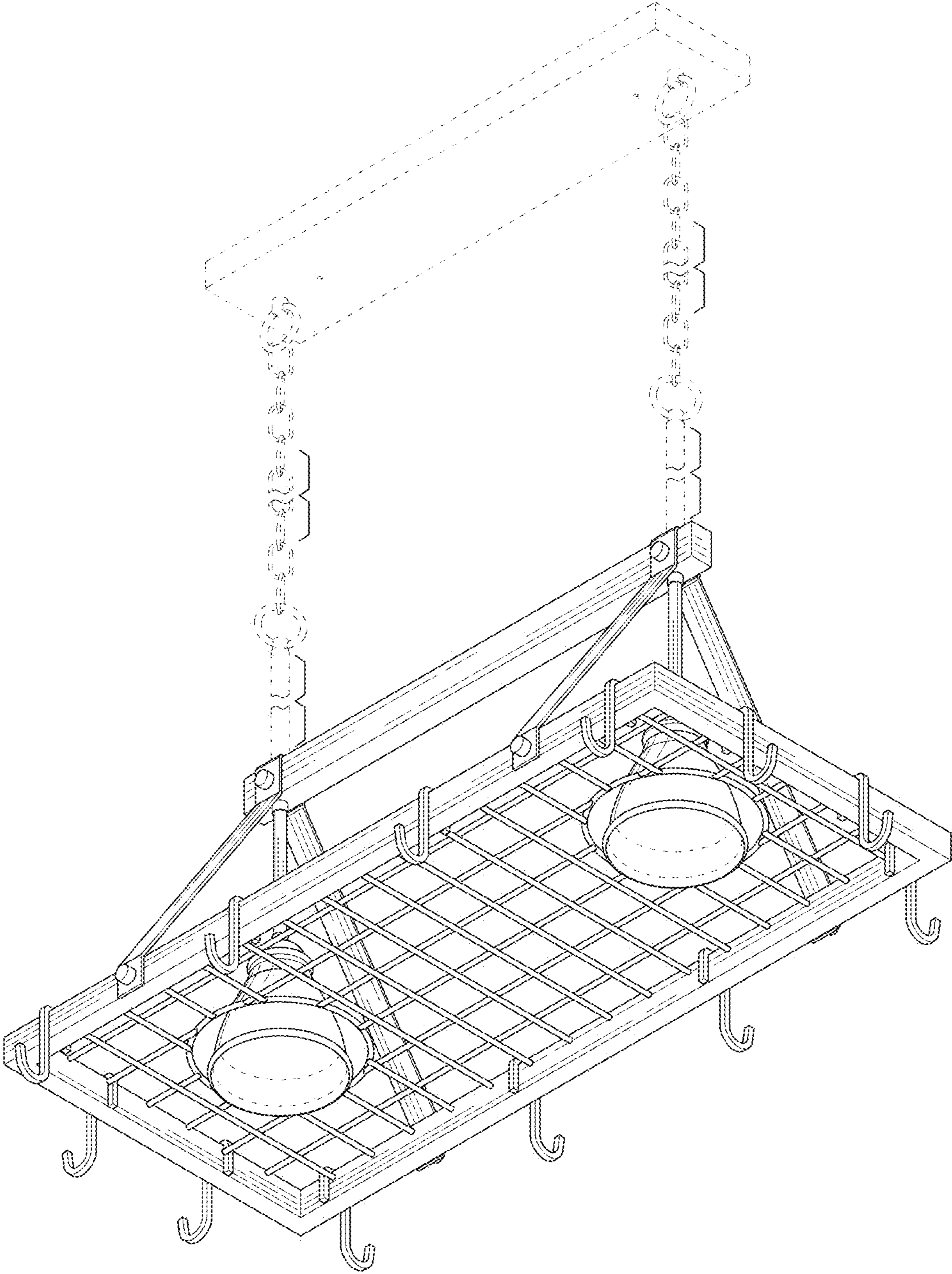


FIG. 8