



US00D891662S

(12) **United States Design Patent**  
**Poffler**

(10) **Patent No.:** **US D891,662 S**  
(45) **Date of Patent:** **\*\* \*Jul. 28, 2020**

- (54) **WORK LAMP**
- (71) Applicant: **SCANGRIP A/S**, Svendborg (DK)
- (72) Inventor: **Nikolaj Poffler**, Svendborg (DK)
- (73) Assignee: **SCANGRIP A/S**, Svendborg (DK)
- (\*) Notice: This patent is subject to a terminal disclaimer.
- (\*\*) Term: **15 Years**
- (21) Appl. No.: **29/563,547**
- (22) Filed: **May 5, 2016**

D501,688 S *	2/2005	Kovacik	.....	D26/42
D520,164 S *	5/2006	Brass	.....	D26/44
D526,077 S *	8/2006	Leen	.....	D26/42
D527,478 S *	8/2006	Kovacik	.....	D26/42
D541,962 S *	5/2007	Bayat	.....	D26/42
D556,926 S *	12/2007	Thirouin	.....	D26/37
D562,480 S *	2/2008	Spartano	.....	D26/37
7,338,189 B2 *	3/2008	Kovacik	.....	F21L 14/023 362/196
7,527,392 B2 *	5/2009	Kovacik	.....	F21V 29/74 362/260
D597,692 S *	8/2009	Jiang	.....	D26/42
D622,431 S *	8/2010	Bayat	.....	D26/46
D626,672 S *	11/2010	De Rubertis	.....	D26/38
D626,673 S *	11/2010	Kovacik	.....	D26/38
D684,283 S *	6/2013	Zhou	.....	D26/49

(Continued)

(30) **Foreign Application Priority Data**

Jan. 21, 2016 (EM) ..... 002954123-0001

(51) **LOC (12) Cl.** ..... **26-02**

(52) **U.S. Cl.**  
USPC ..... **D26/46**

(58) **Field of Classification Search**  
USPC ..... D26/46, 49, 36, 74, 22, 67, 71, 91, 96,  
D26/130, 122, 40-41, 50-51, 123-124,  
D26/1-2, 4-6, 148-149; 320/110;  
D13/180; 362/33, 612, 555, 18, 301;  
D6/332, 641, 643, 714  
CPC ..... F21L 19/00; F21L 4/00; F21L 4/08; F21Y  
2115/10; F21Y 2103/20; F21Y 2105/18;  
F21Y 2107/30; A47B 83/001; A47B  
87/00

See application file for complete search history.

(56) **References Cited**

**U.S. PATENT DOCUMENTS**

5,528,477 A *	6/1996	Carmo	.....	F21L 14/026 362/260
D397,054 S *	8/1998	Brantley	.....	D10/114.9
D485,364 S *	1/2004	Lee	.....	D24/217
D501,687 S *	2/2005	Kovacik	.....	D26/42

**FOREIGN PATENT DOCUMENTS**

CN	302843658	*	6/2014
CN	303227539	*	5/2015

(Continued)

*Primary Examiner* — Marissa J Cash  
*Assistant Examiner* — Altaira J Swangin  
(74) *Attorney, Agent, or Firm* — Berg Hill Greenleaf  
Ruscitti, LLP.

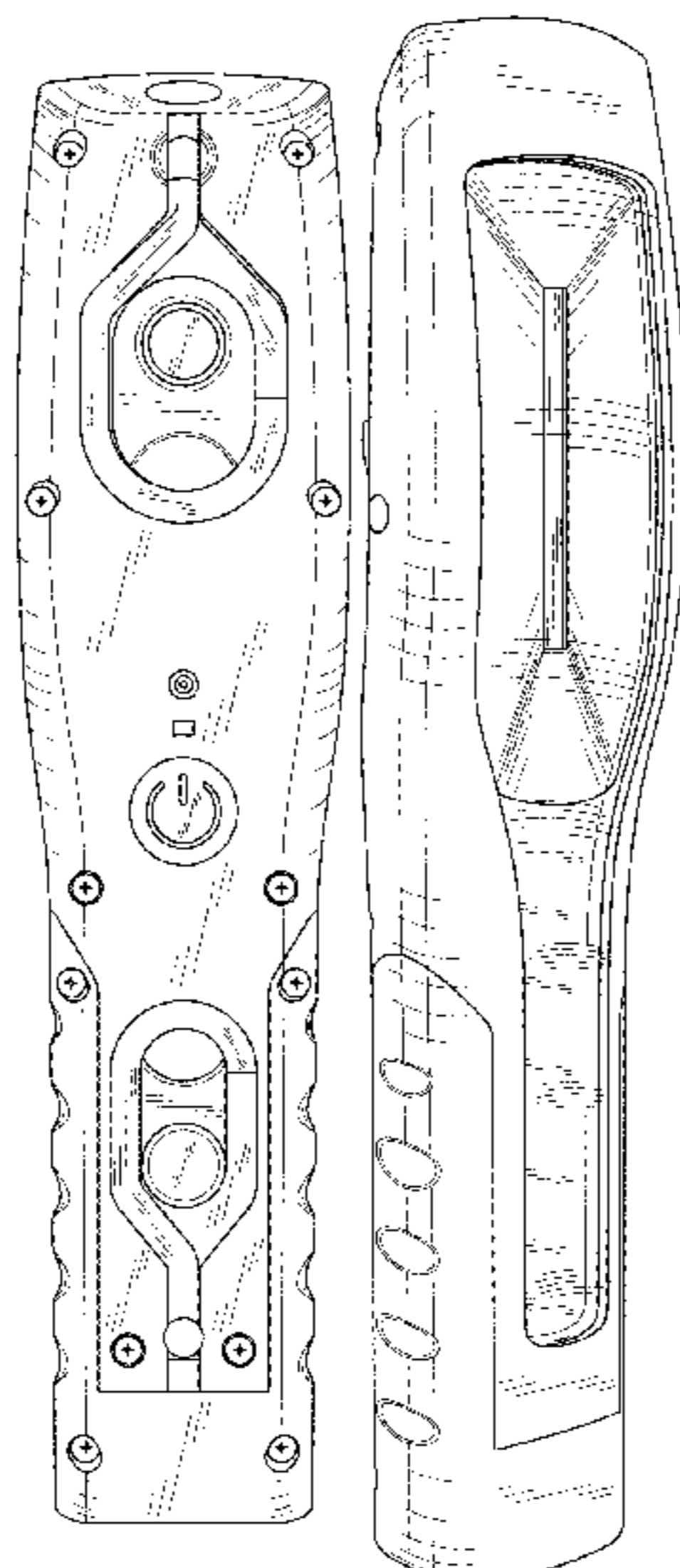
(57) **CLAIM**

The ornamental design for a work lamp, as shown and described.

**DESCRIPTION**

FIG. 1 is a front elevation view of the work lamp of my new design;  
FIG. 2 is a bottom plan view;  
FIG. 3 is a rear elevation view;  
FIG. 4 is a rear perspective view;  
FIG. 5 is a left side elevation view;  
FIG. 6 is a right side elevation view; and,  
FIG. 7 is a top plan view.

**1 Claim, 7 Drawing Sheets**



(56)

**References Cited**

U.S. PATENT DOCUMENTS

D691,310	S	*	10/2013	Zhou	.....	D26/37
D708,376	S	*	7/2014	Crowe	.....	D26/37
D711,027	S	*	8/2014	Kovacik	.....	D26/37
D721,841	S	*	1/2015	Kwon	.....	D26/37
D726,354	S	*	4/2015	Davies	.....	D26/37
D742,568	S	*	11/2015	Abernethy	.....	D26/42
D750,303	S	*	2/2016	Levy	.....	D26/37
D750,825	S	*	3/2016	Bryant	.....	D26/42
D752,792	S	*	3/2016	Grandadam	.....	D26/42
D757,971	S	*	5/2016	Kovacik	.....	D26/37
D757,973	S	*	5/2016	Zhang	.....	D26/44
D764,087	S	*	8/2016	Workman	.....	D26/37
D766,478	S	*	9/2016	Zhang	.....	D26/44
D767,183	S	*	9/2016	Caito	.....	D26/42
D858,837	S	*	9/2019	Vasquez	.....	D26/60
2006/0034078	A1	*	2/2006	Kovacik	.....	F21L 4/08
						362/227
2008/0304254	A1	*	12/2008	Canino	.....	F21L 4/04
						362/183
2010/0254124	A1	*	10/2010	Bayat	.....	F21L 4/027
						362/206
2013/0258649	A1	*	10/2013	Mueckl	.....	F21V 15/01
						362/191
2015/0267902	A1	*	9/2015	Zhang	.....	F21L 4/04
						362/188
2016/0265754	A1	*	9/2016	Sun	.....	F21L 4/04

FOREIGN PATENT DOCUMENTS

EM	002532929-0001	*	9/2014
EM	002532929-0002	*	9/2014
KR	300824542-0000	*	11/2015

\* cited by examiner

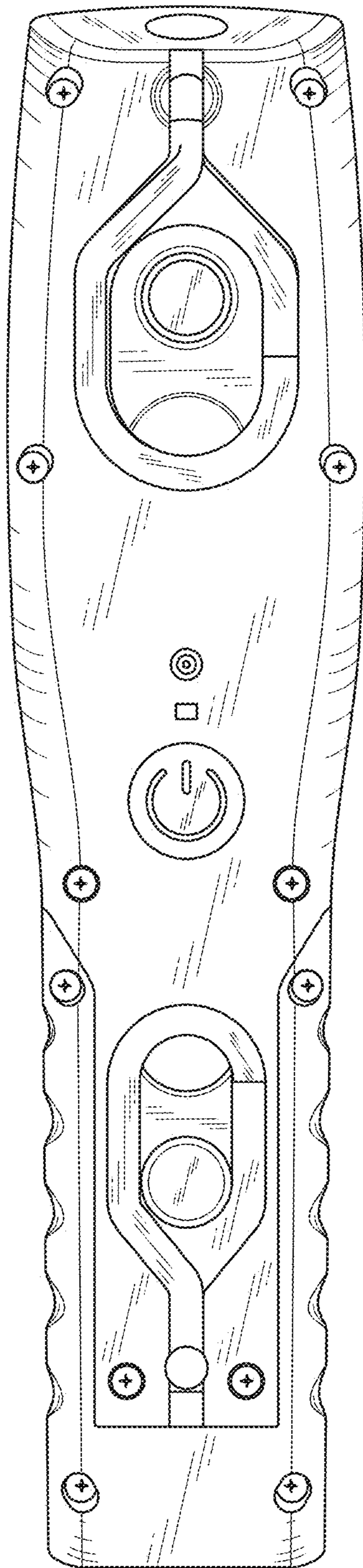


FIG. 1

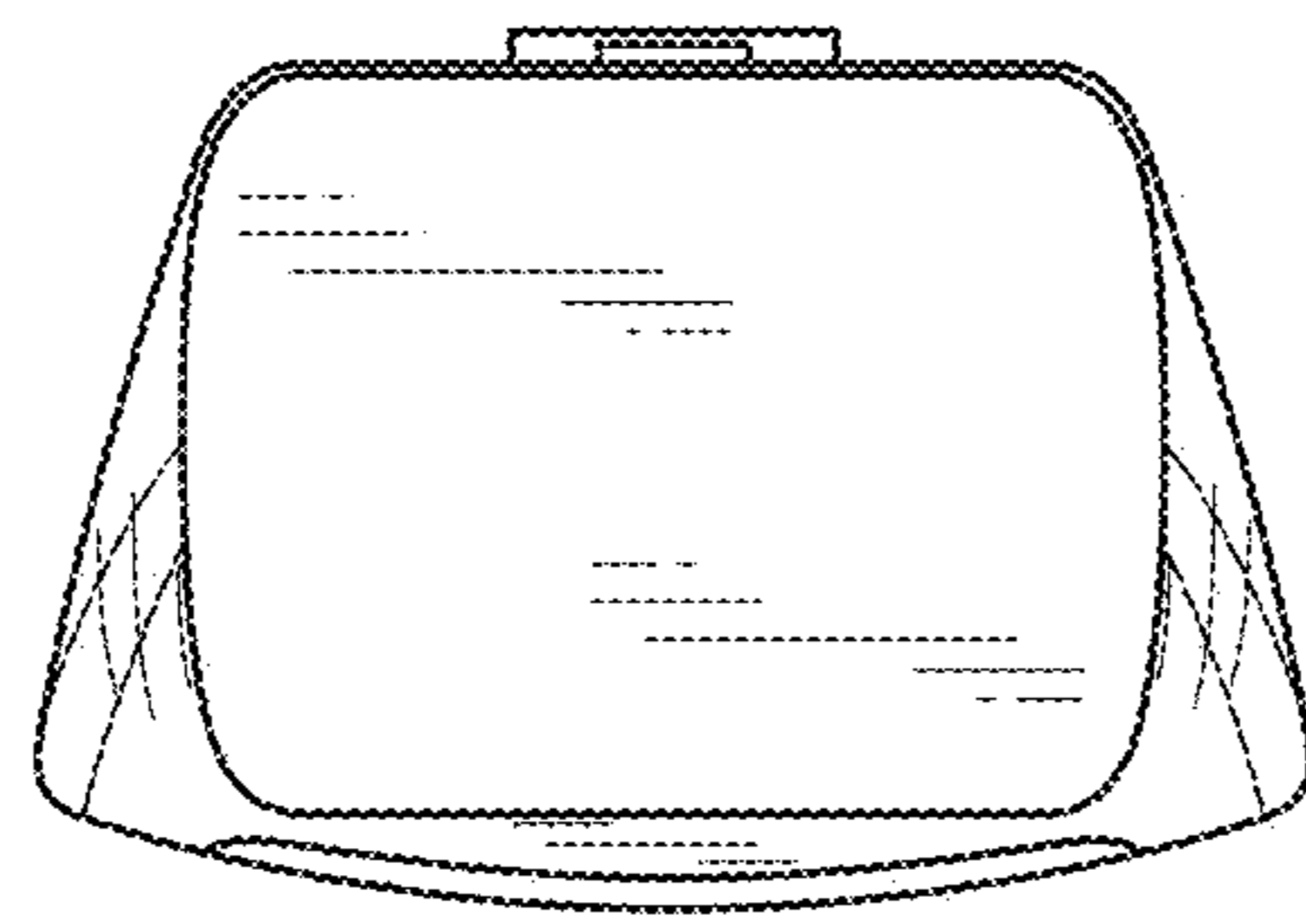


FIG. 2

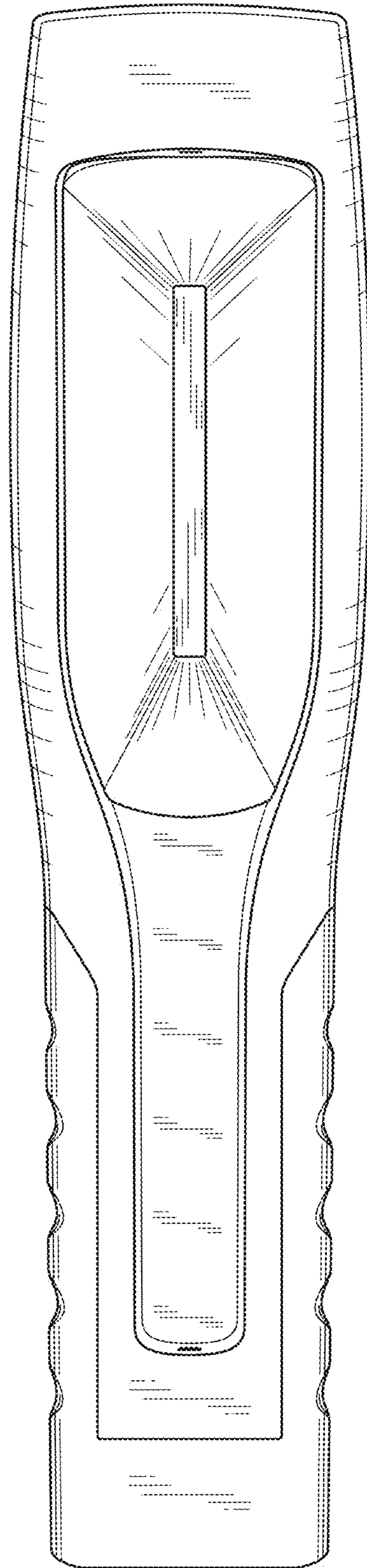


FIG. 3



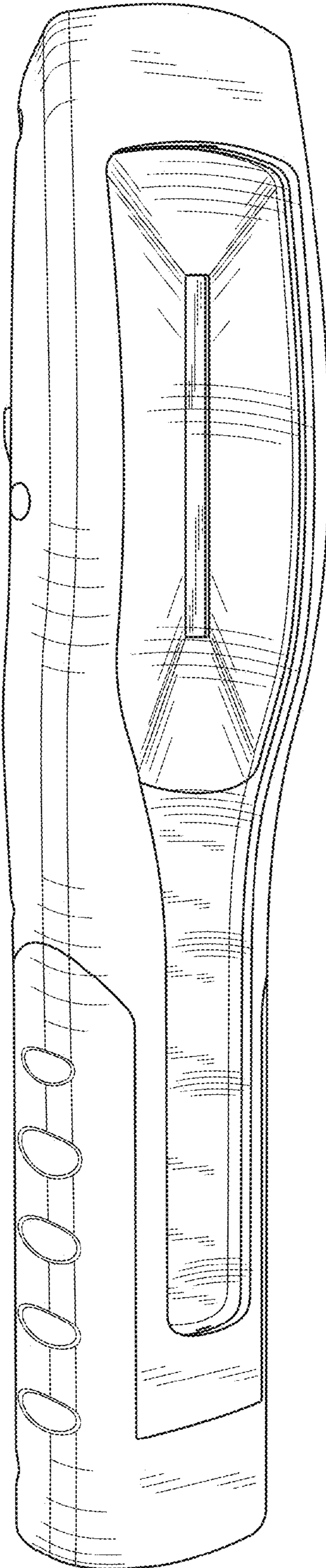


FIG. 4

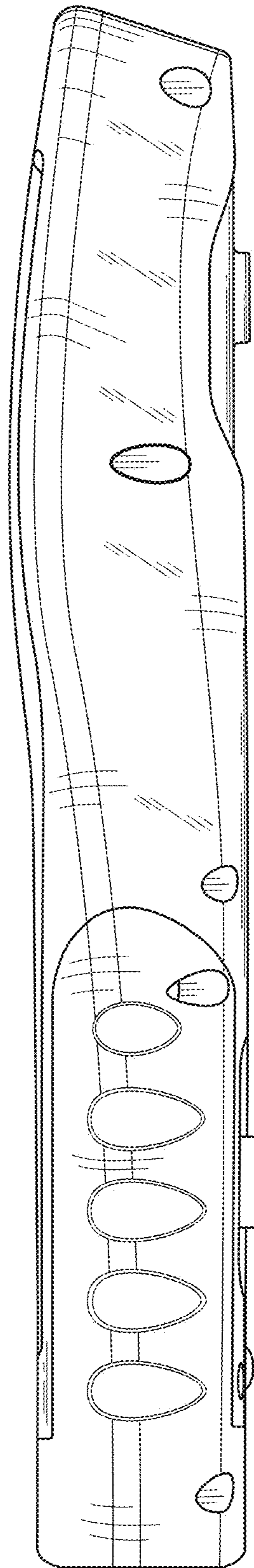


FIG. 5

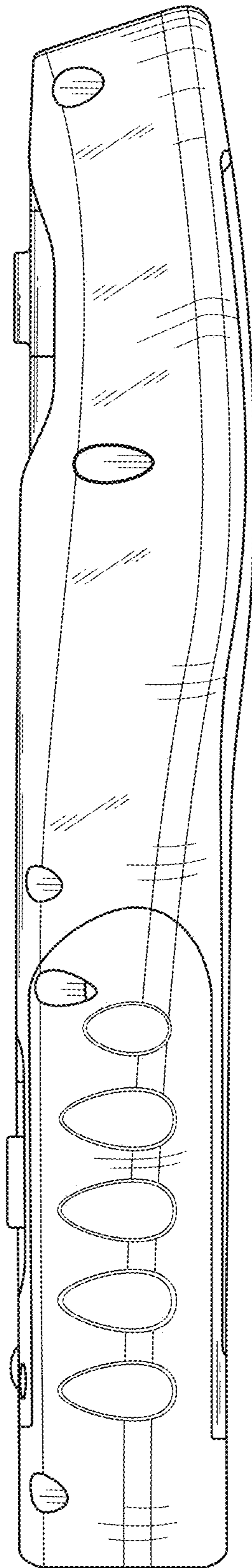


FIG. 6



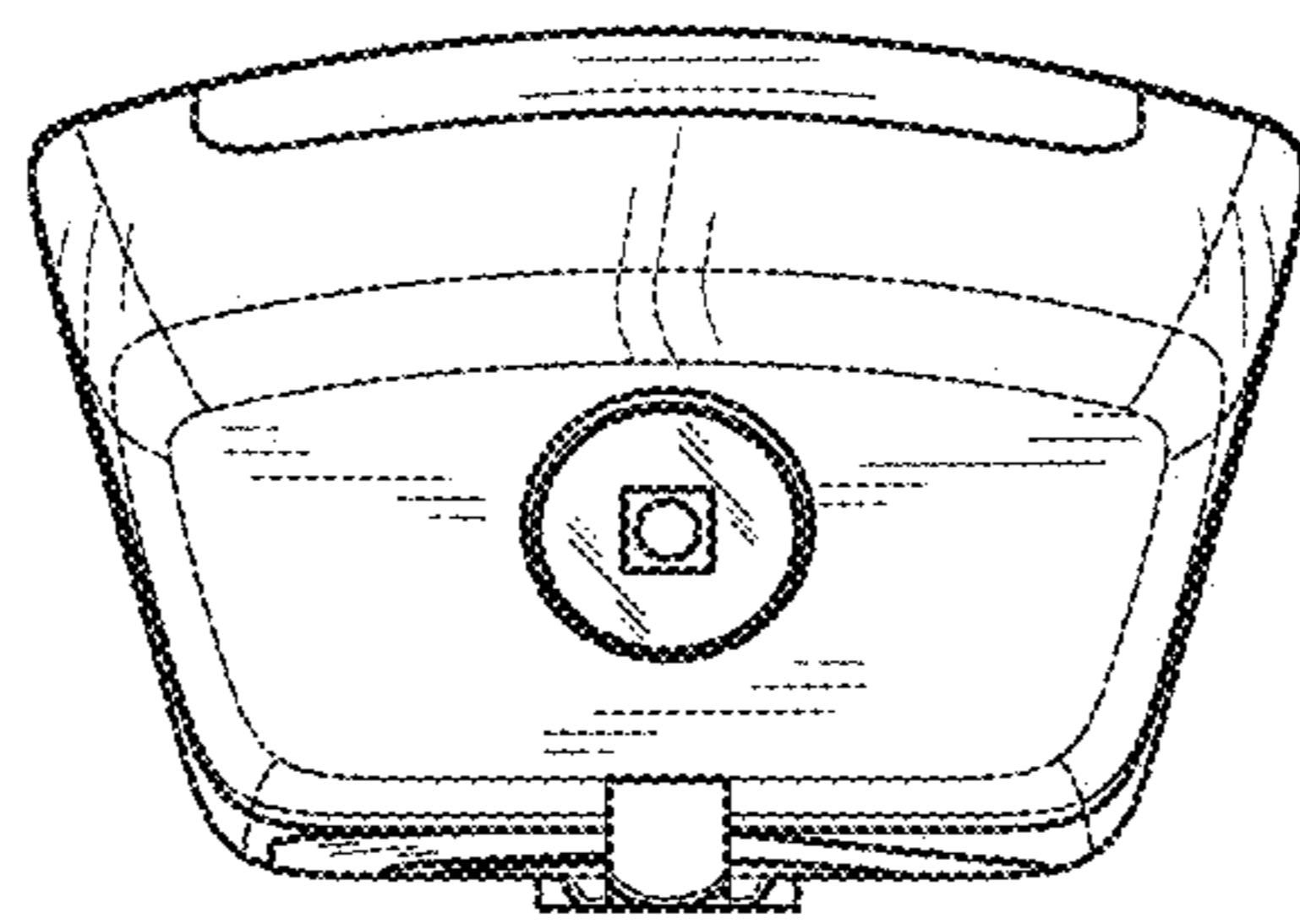


FIG. 7