



US00D891660S

(12) **United States Design Patent**
Shi et al.

(10) **Patent No.:** **US D891,660 S**
(45) **Date of Patent:** **** Jul. 28, 2020**

(54) **FLASHLIGHT**
(71) Applicant: **Huntercraft Limited**, Albany, NY (US)
(72) Inventors: **Chunhua Shi**, Albany, NY (US); **Sang Su**, Albany, NY (US)
(73) Assignee: **Huntercraft Limited**, Albany, NY (US)
(**) Term: **15 Years**
(21) Appl. No.: **29/675,388**

D797,336 S * 9/2017 Inskeep D26/49
D803,445 S * 11/2017 Inskeep D26/49
D877,379 S * 3/2020 Qiu D26/49
D877,380 S * 3/2020 Le D26/49

* cited by examiner

Primary Examiner — Abraham Bahta
(74) *Attorney, Agent, or Firm* — Novick, Kim & Lee, PLLC; Allen Xue; Hyun Woo Shin

(22) Filed: **Dec. 31, 2018**
(51) **LOC (12) Cl.** **26-02**
(52) **U.S. Cl.**
USPC **D26/37**
(58) **Field of Classification Search**
USPC D26/1, 24, 25, 43, 60, 110, 113, 28, 37,
D26/61, 85, 102, 138–140; 362/249.14,
362/311.02, 311.13
CPC F21L 2003/00; F21L 4/00; F21L 4/005;
F21L 4/02; F21L 4/025; F21L 4/027;
F21L 4/04; F21L 4/08; F21L 2500/00;
F21L 13/00; F21L 13/04; F21L 13/08;
F21L 17/00; F21L 19/00; F21V 14/02;
F21V 14/00; F21V 14/06
See application file for complete search history.

(57) **CLAIM**

We claim the ornamental design for a flashlight, as shown and described.

DESCRIPTION

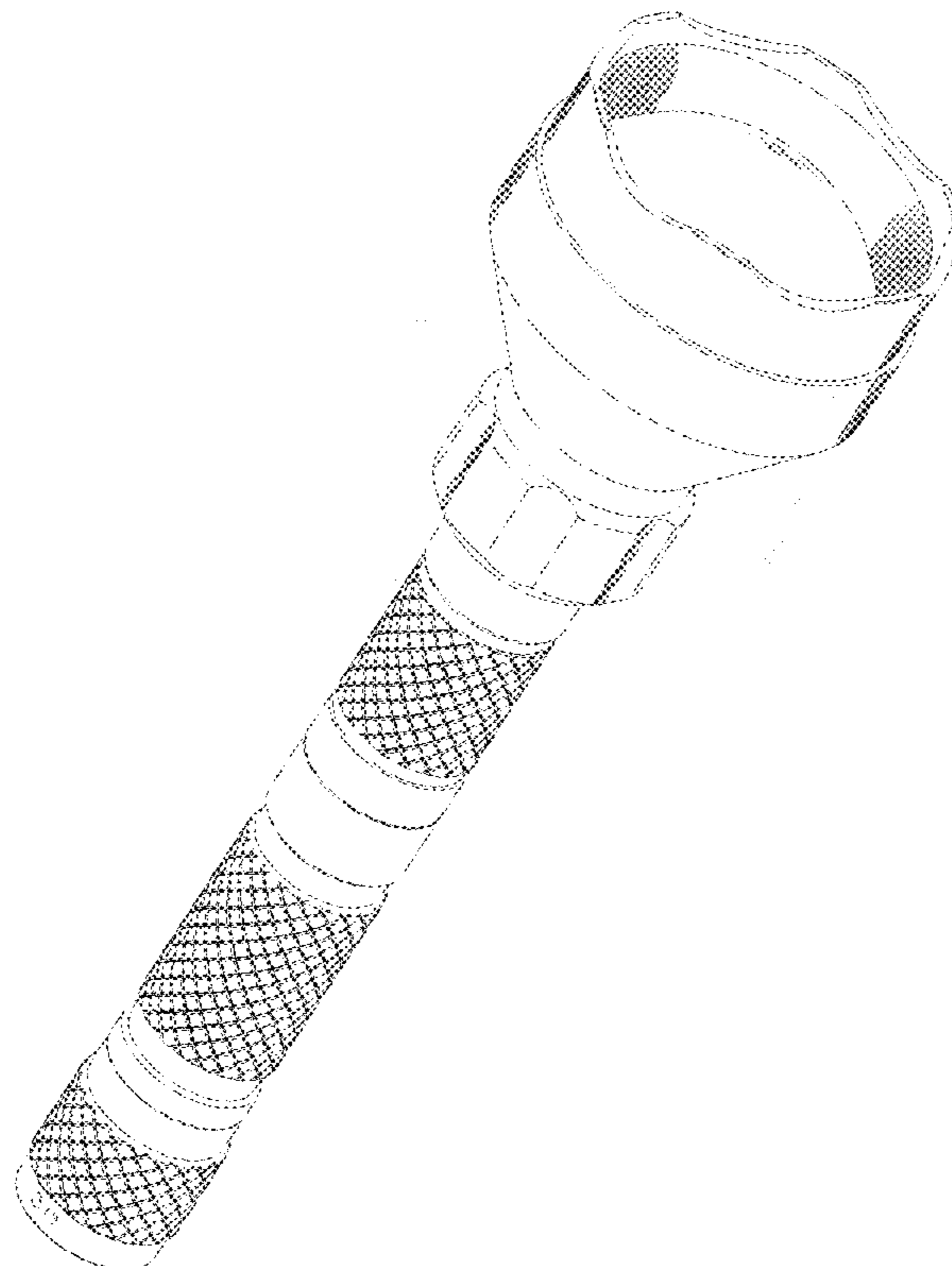
FIG. 1 is a top perspective view of a flashlight, showing our new design;
FIG. 2 is another top perspective view thereof;
FIG. 3 is a front elevation view thereof;
FIG. 4 is a rear elevational view thereof;
FIG. 5 is a right side elevational view thereof;
FIG. 6 is a left side elevational view thereof;
FIG. 7 a bottom plan view thereof;
FIG. 8 is a top plan view thereof; and,
FIG. 9 is a bottom perspective view thereof.

(56) **References Cited**

U.S. PATENT DOCUMENTS

D719,694 S * 12/2014 Nawaz D22/117
D724,247 S * 3/2015 Chouprinov D22/117

1 Claim, 8 Drawing Sheets



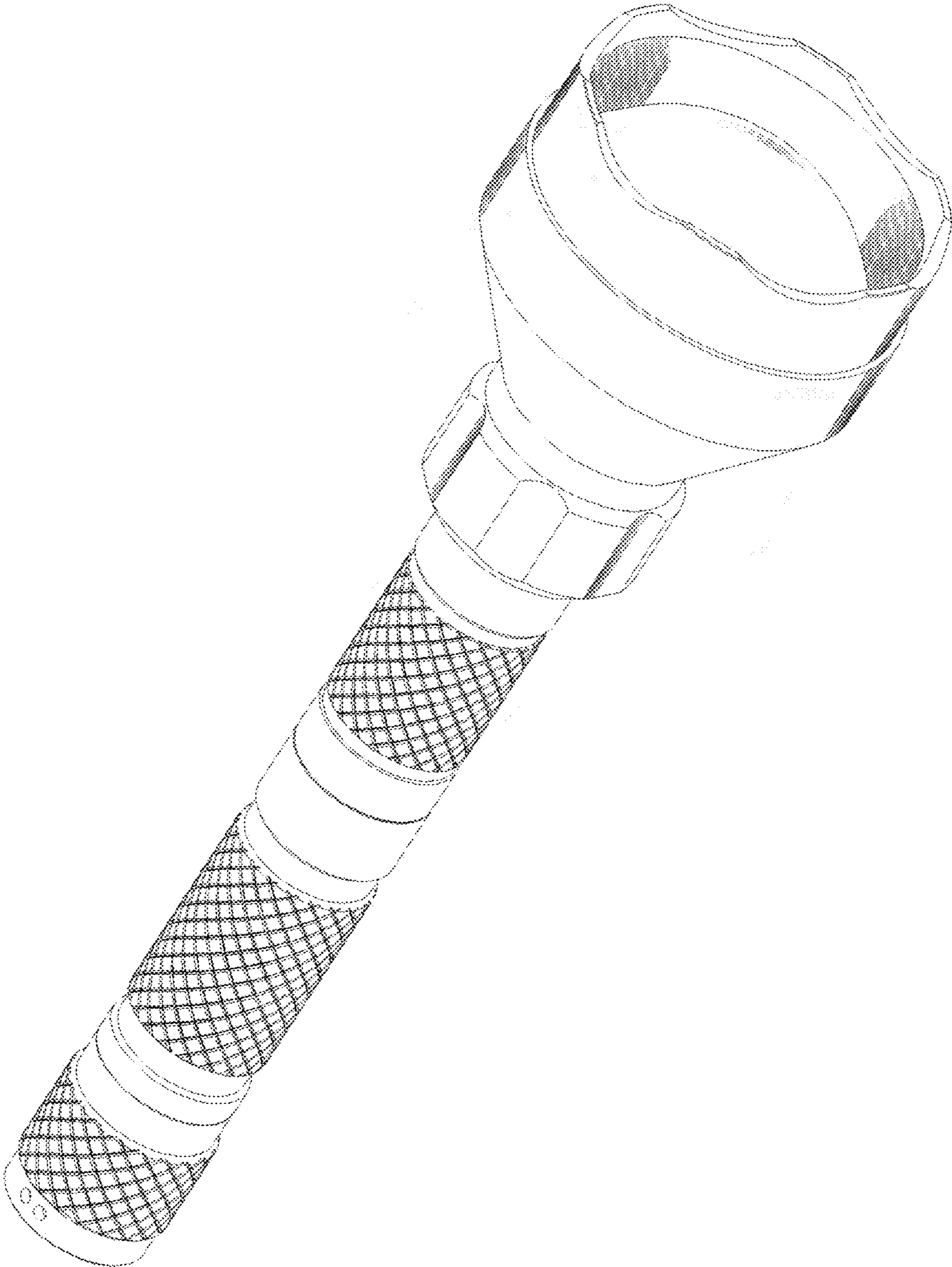


FIG. 1

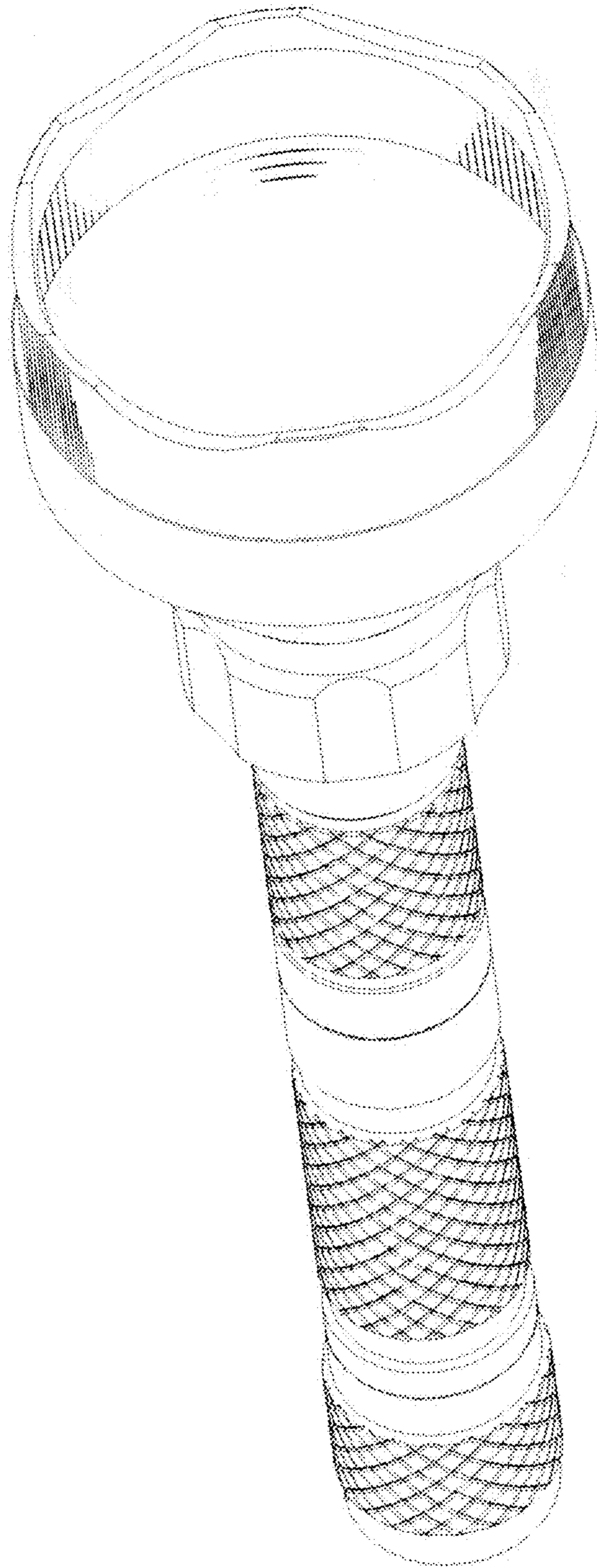


FIG. 2

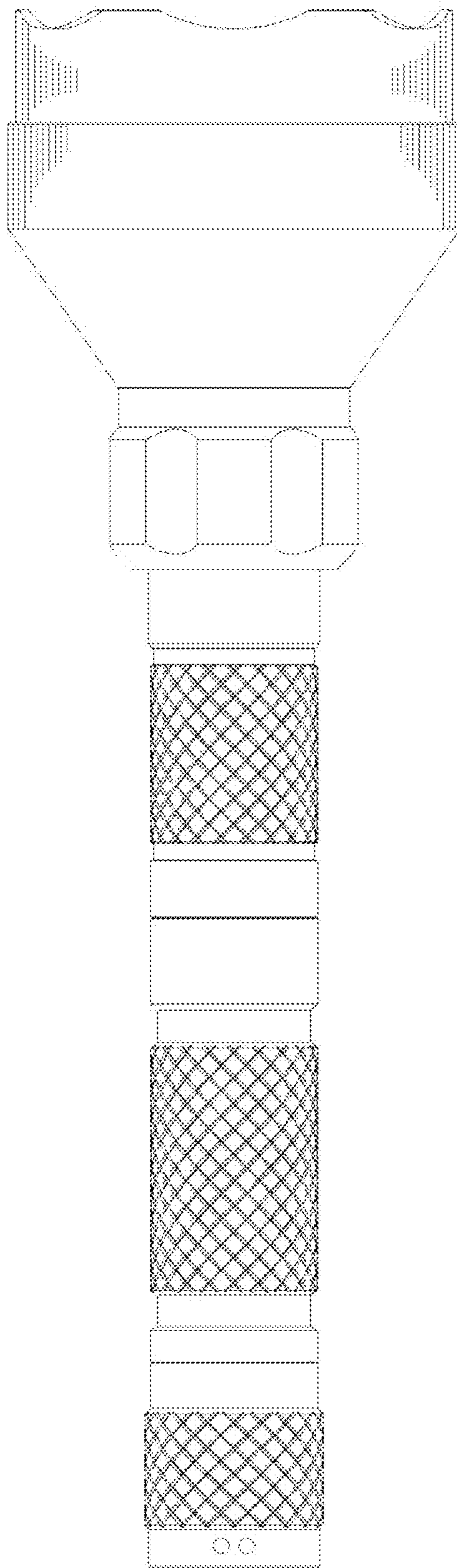


FIG. 3

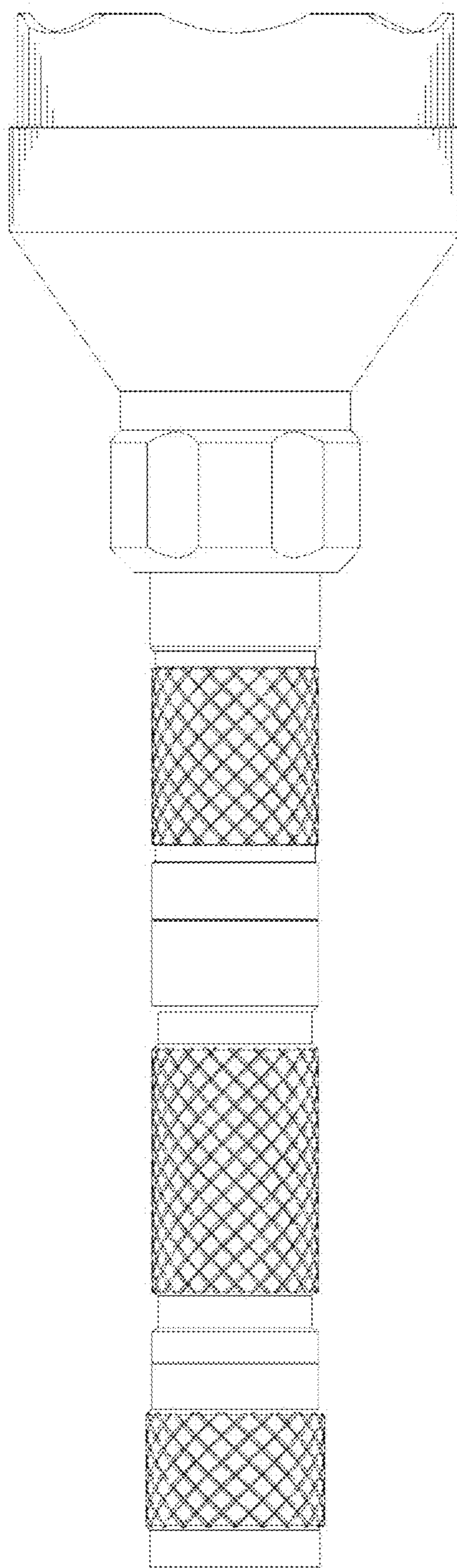


FIG. 4

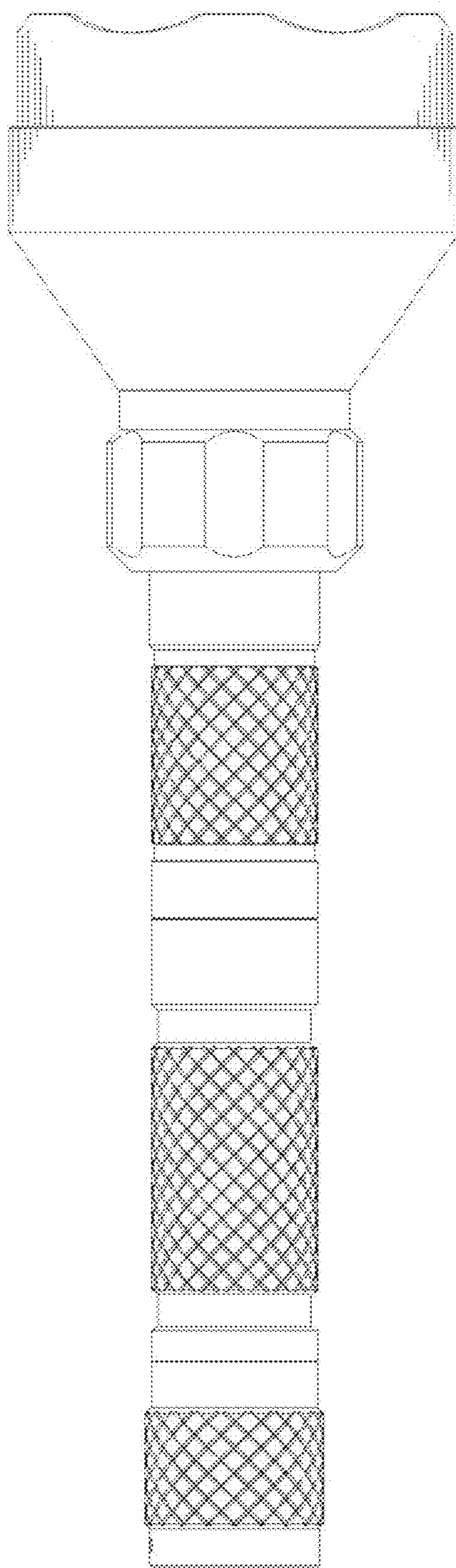


FIG. 5

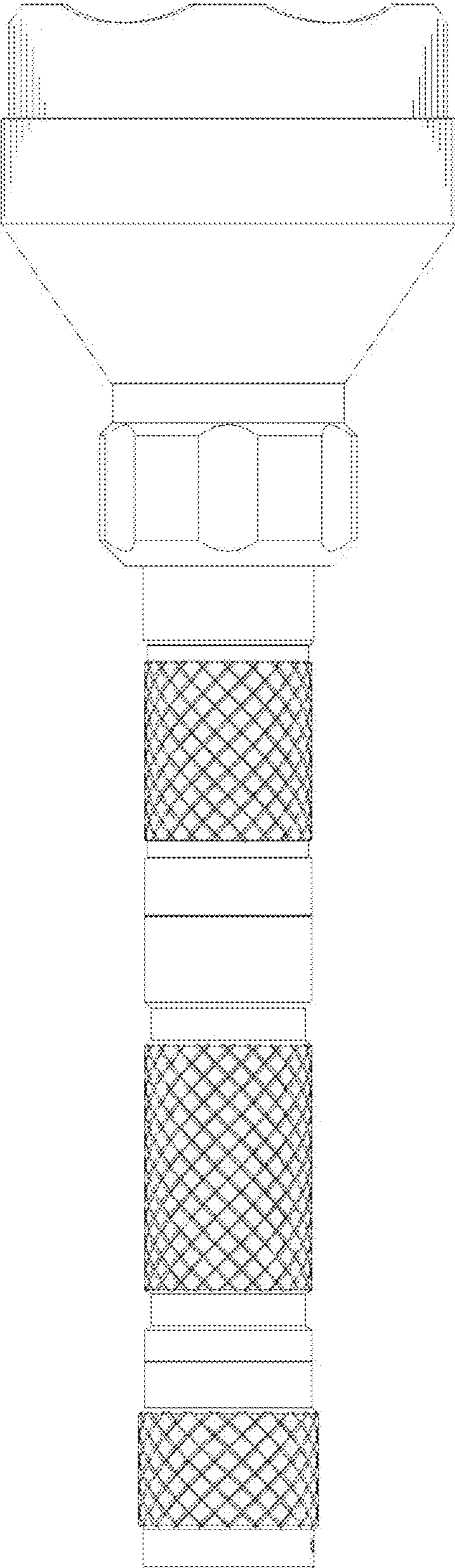


FIG. 6

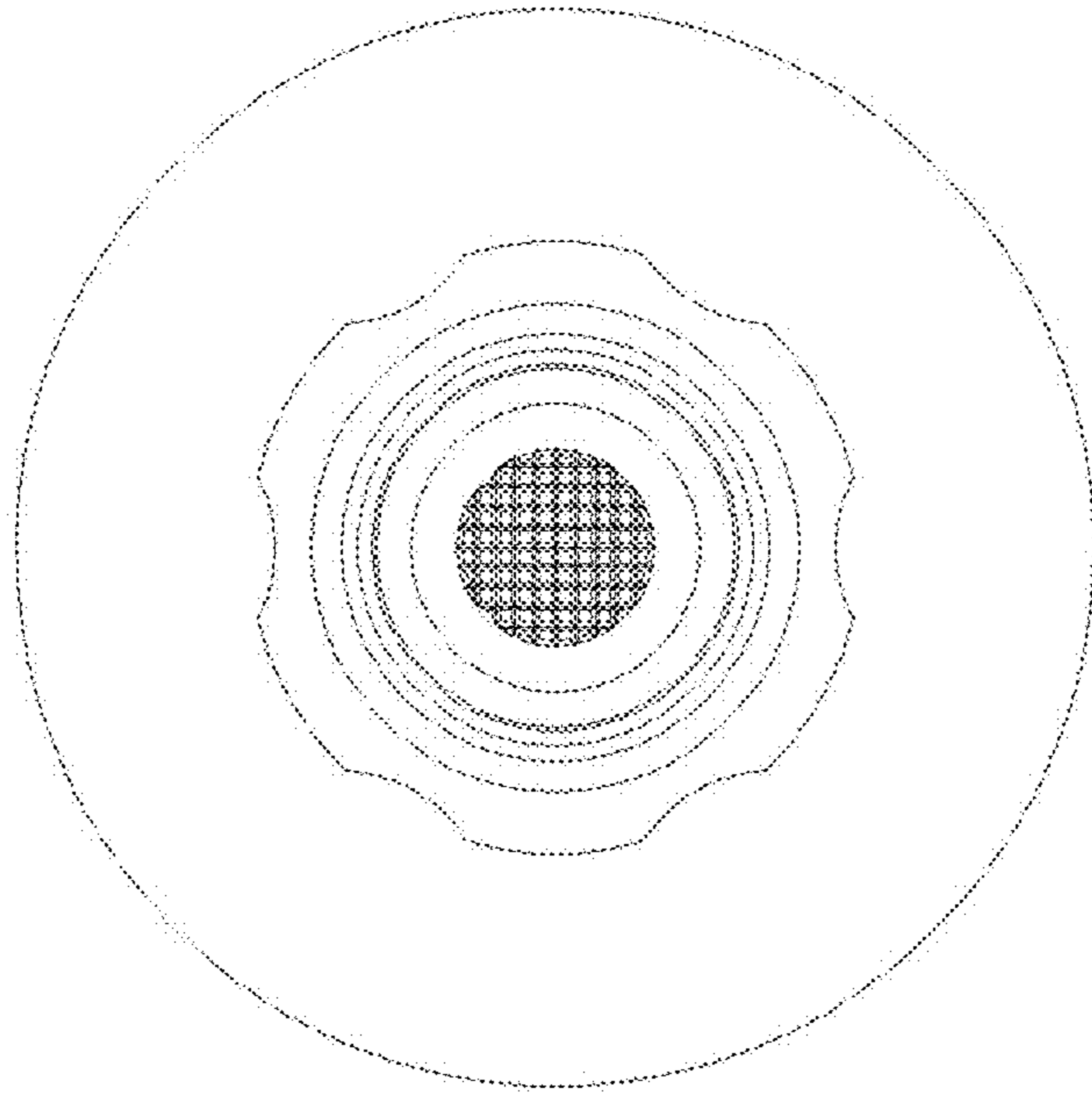


FIG. 7

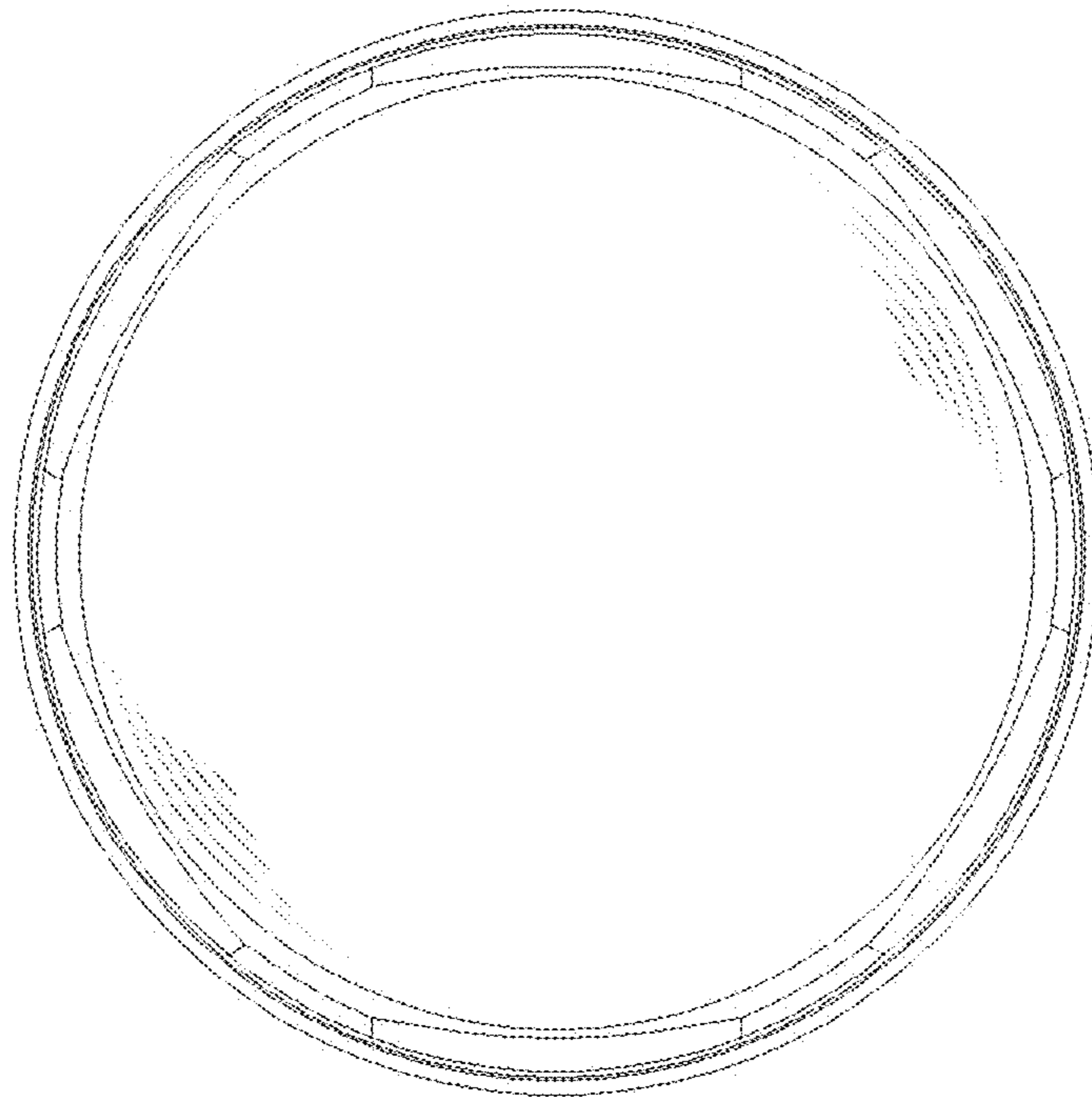


FIG. 8

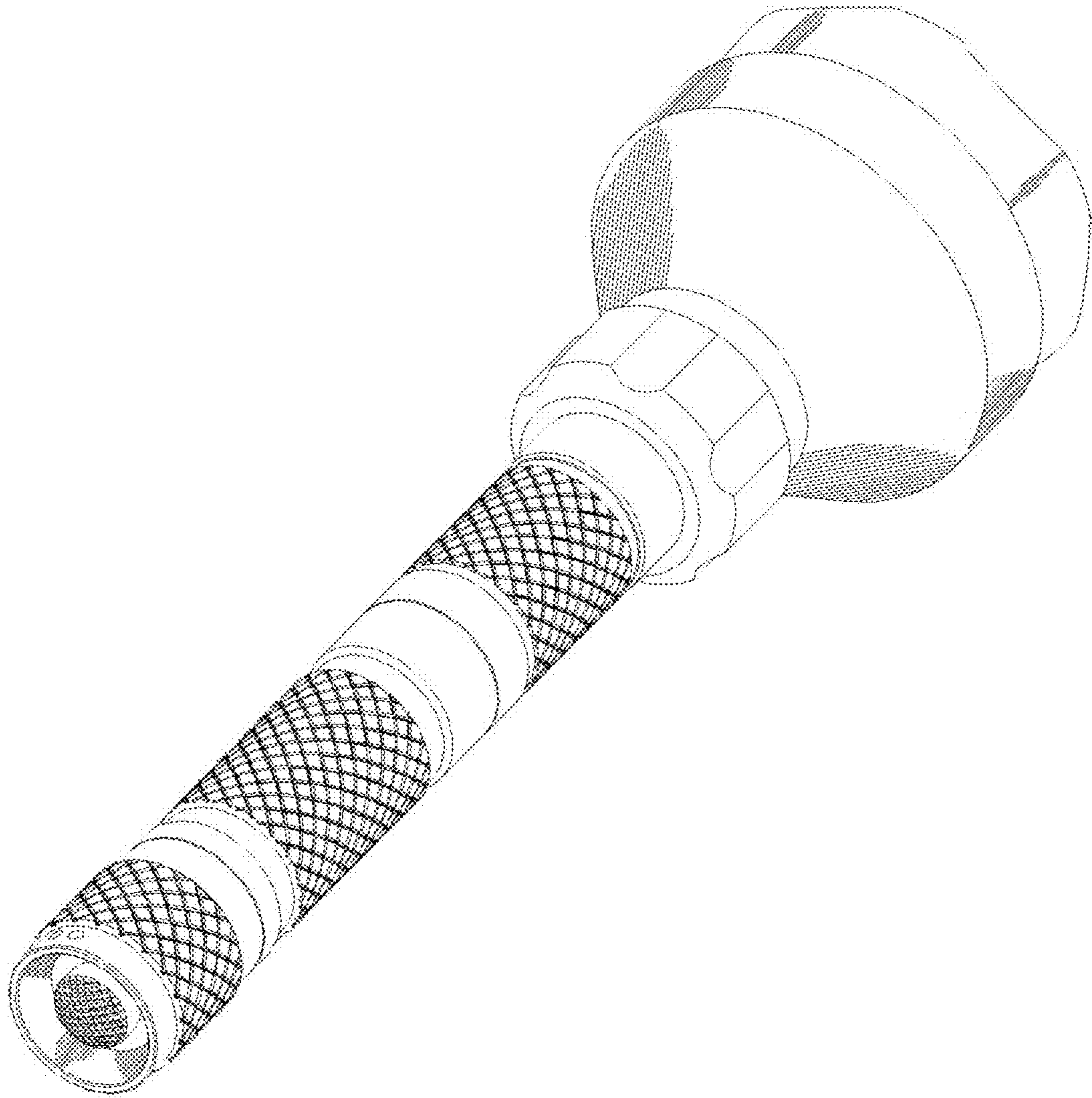


FIG. 9