



US00D891659S

(12) **United States Design Patent** (10) **Patent No.:** **US D891,659 S**  
**Tu** (45) **Date of Patent:** **\*\* Jul. 28, 2020**

(54) **LASER PRESENTER**

(56) **References Cited**

(71) Applicant: **Jingkang Tu**, GuangDong (CN)

U.S. PATENT DOCUMENTS

(72) Inventor: **Jingkang Tu**, GuangDong (CN)

D359,482 S *	6/1995	Huang	.....	D26/37
D419,704 S *	1/2000	Ting	.....	D26/37
D516,738 S *	3/2006	Lin	.....	D26/37
D517,023 S *	3/2006	Kumagai	.....	D13/168
D531,334 S *	10/2006	Lin	.....	D26/37
D537,181 S *	2/2007	Chen	.....	D14/480.3
D560,835 S *	1/2008	Hass	.....	D26/37

(\*\*) Term: **15 Years**

\* cited by examiner

(21) Appl. No.: **29/674,410**

(22) Filed: **Dec. 21, 2018**

*Primary Examiner* — Abraham Bahta

(51) **LOC (12) Cl.** ..... **26-02**

(52) **U.S. Cl.**

(57) **CLAIM**

USPC ..... **D26/37**

(58) **Field of Classification Search**

The ornamental design for a laser presenter, as shown and described.

USPC ..... D26/1, 24, 25, 43, 60, 110, 113, 28,  
D26/37-39, 61, 85, 102, 138-140;  
362/249.14, 311.02, 311.13

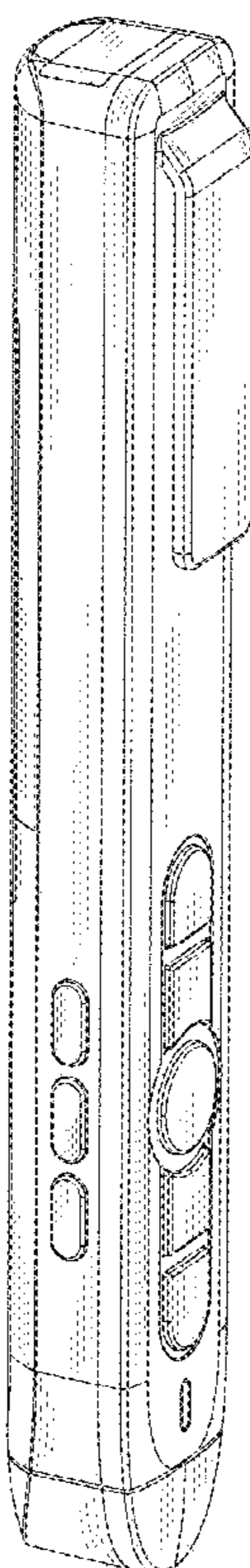
**DESCRIPTION**

CPC ..... F21S 4/00; F21S 4/10; F21S 4/15; F21S  
4/26; F21S 2/00; F21S 8/003; F21S  
8/043; F21V 11/02; F21V 11/06; F21V  
17/10; F21V 17/16; F21V 21/0296; F21V  
21/0054; F21V 21/008; F21V 21/00;  
F21V 21/08; F21V 23/00; F21V 23/04;  
F21V 21/14; F21V 21/30; F21V 14/02;  
F21V 14/00; F21V 14/06; F21W 2121/00;  
F21W 2121/04; F21Y 2115/10; F21L  
4/00; F21L 4/02; F21L 4/04; F21L 4/08;  
F21L 4/005; F21L 4/025; F21L 4/027;  
F21L 13/00; F21L 13/04; F21L 13/08;  
F21L 14/02

FIG. 1 is a front, top and left perspective view of a laser presenter showing my new design;  
FIG. 2 is a rear, bottom and right perspective view thereof;  
FIG. 3 is a front elevation view thereof;  
FIG. 4 is a rear elevation view thereof;  
FIG. 5 is a left side elevation view thereof;  
FIG. 6 is a right side elevation view thereof;  
FIG. 7 is a top plan view thereof, shown enlarged in scale;  
and,  
FIG. 8 is a bottom plan view thereof, shown enlarged in scale.

See application file for complete search history.

**1 Claim, 8 Drawing Sheets**



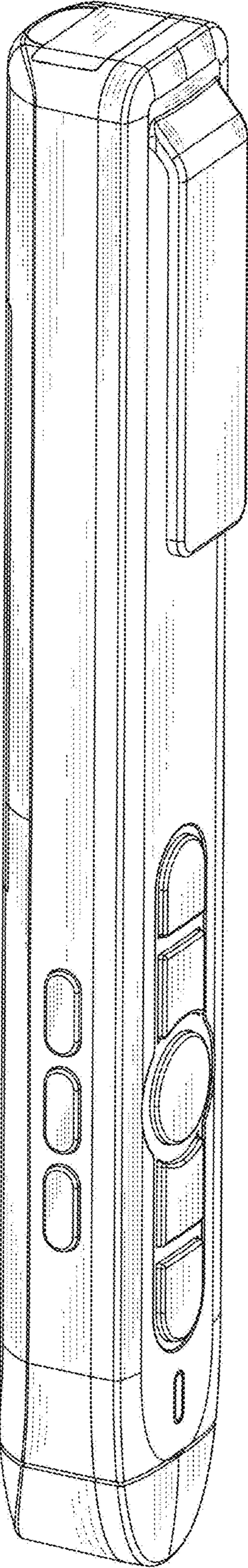


FIG.1

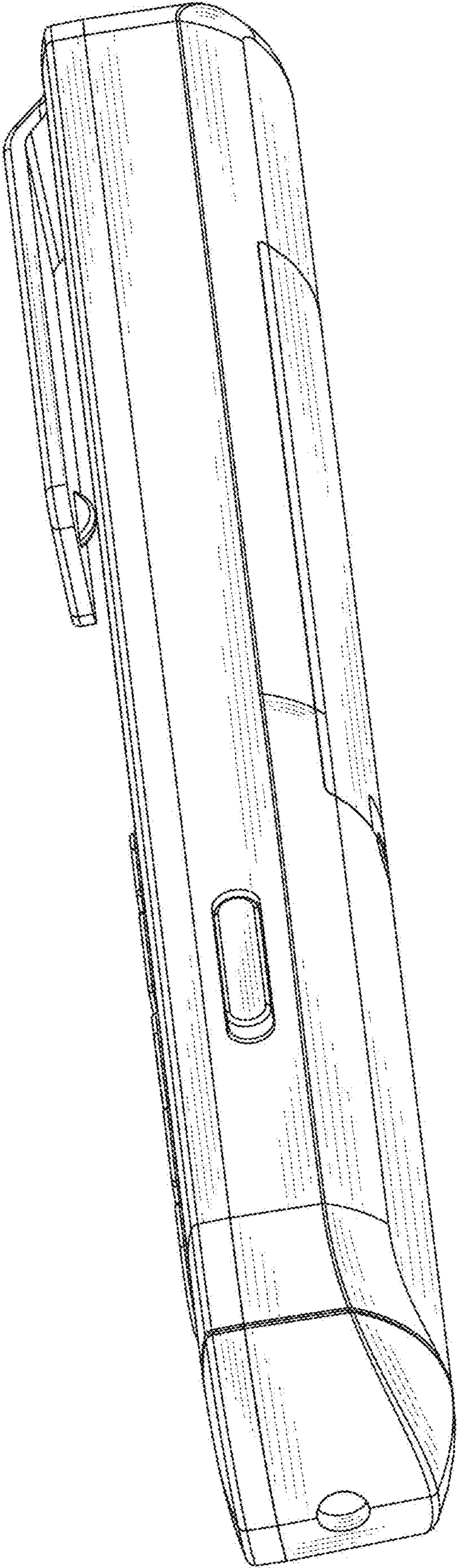


FIG.2

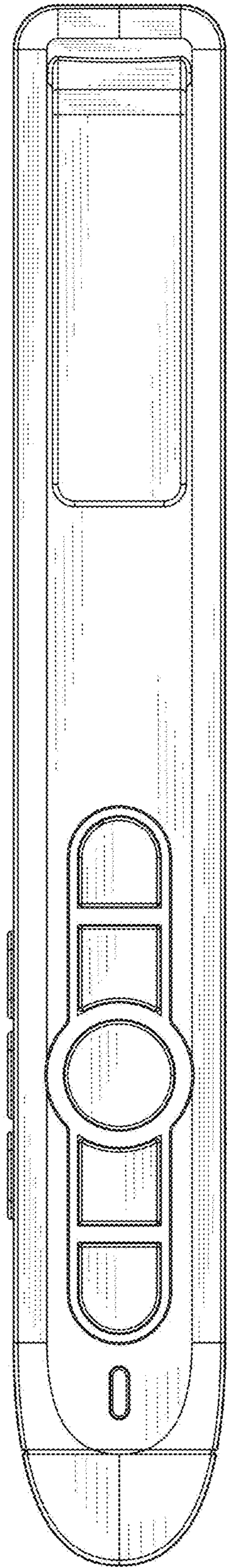


FIG.3

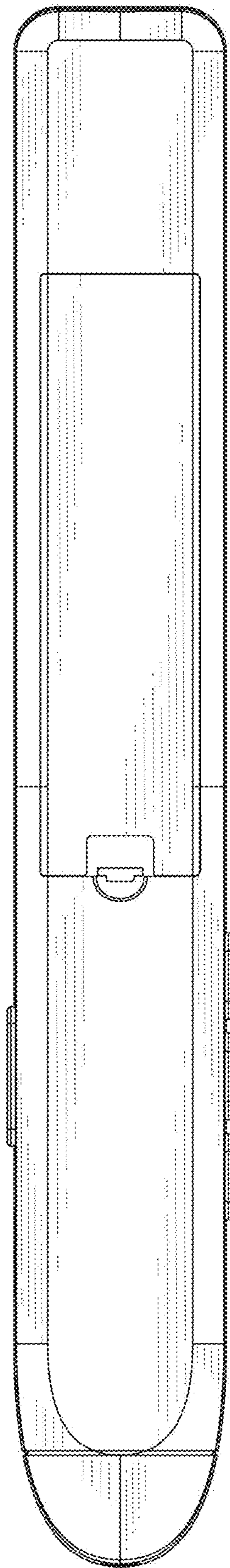


FIG.4

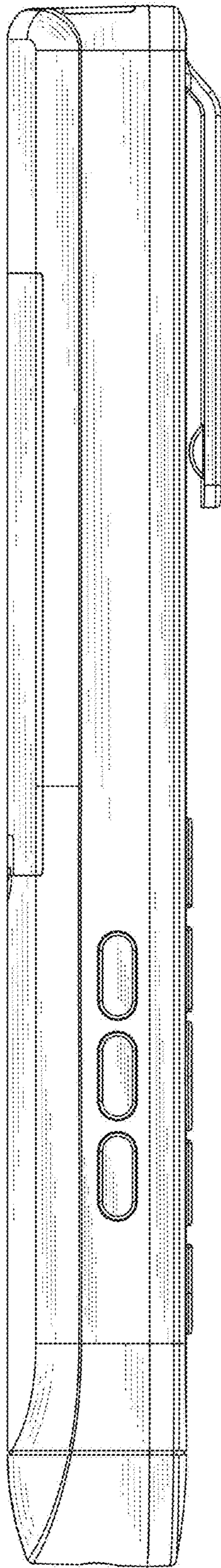


FIG.5

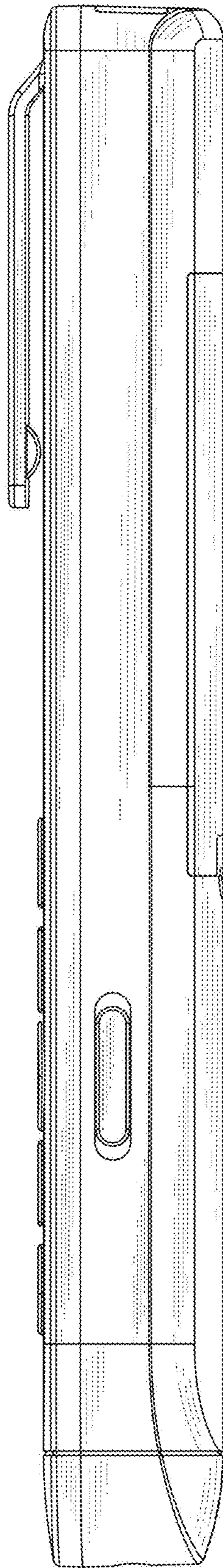


FIG.6

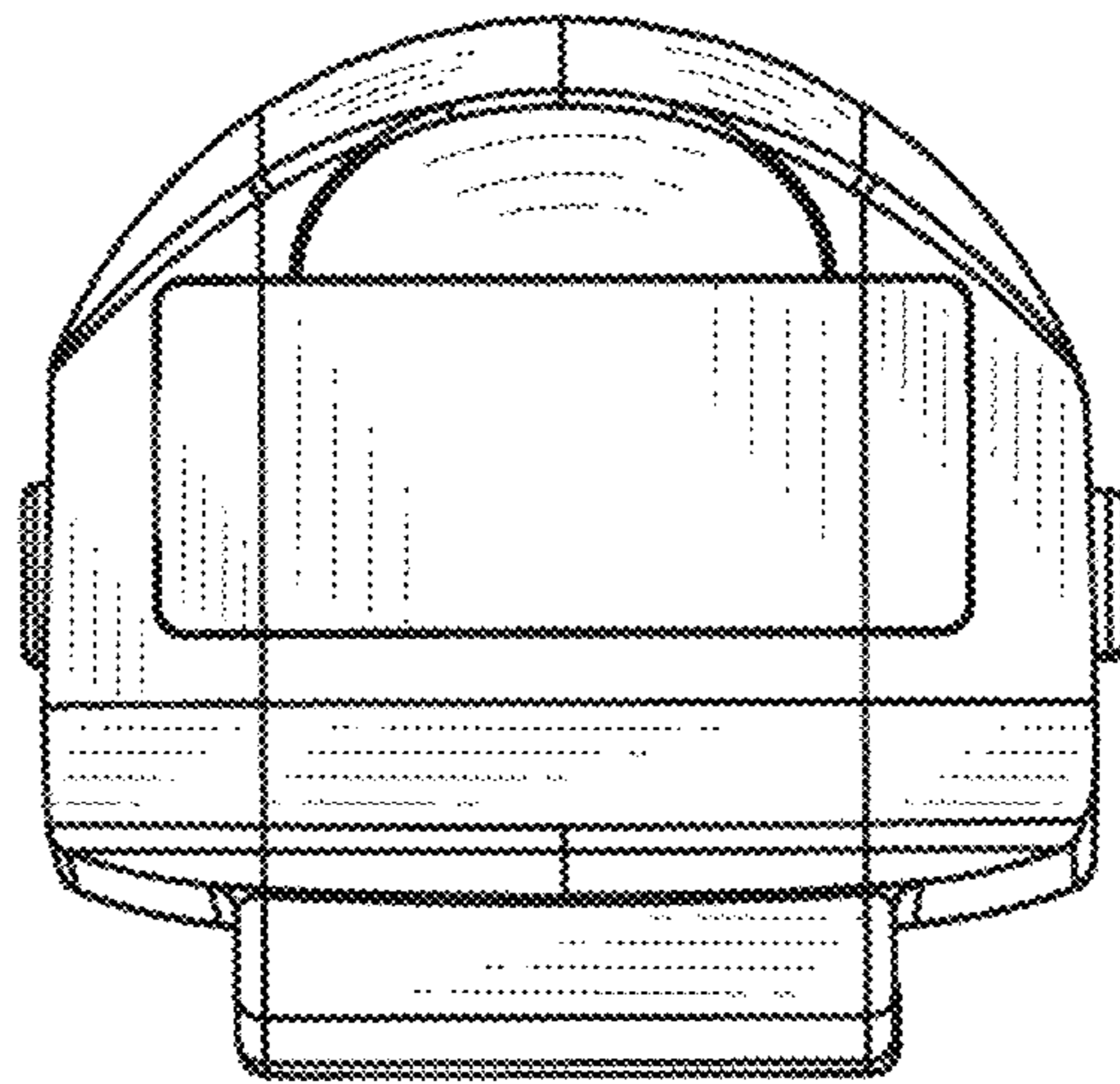


FIG.7



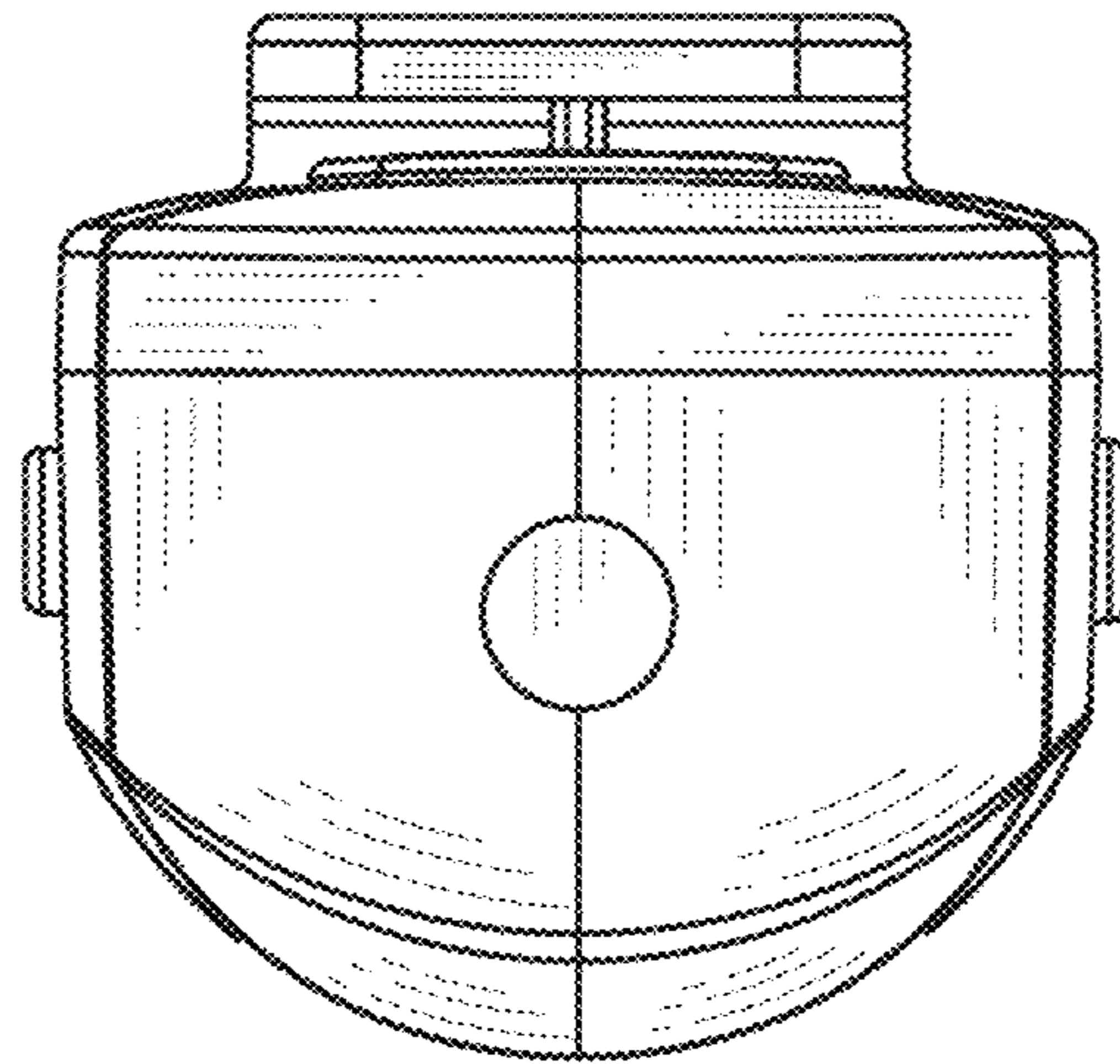


FIG. 8