

US00D891655S

(12) **United States Design Patent**  
**Woodhouse et al.**

(10) **Patent No.:** **US D891,655 S**

(45) **Date of Patent:** **\*\* Jul. 28, 2020**

(54) **VEHICLE TAIL LAMP**

D570,015 S \* 5/2008 Hsu ..... D26/28  
D711,025 S 8/2014 Gueler et al.  
D738,550 S 9/2015 Diephuis et al.

(71) Applicant: **Ford Global Technologies, LLC**,  
Dearborn, MI (US)

\* cited by examiner

(72) Inventors: **David Woodhouse**, Troy, MI (US);  
**Kemal Curic**, Irvine, CA (US); **Shawn Wehrly**, Northville, MI (US); **Michal Illukiewicz**, Bloomfield Hills, MI (US)

*Primary Examiner* — Marcus A Jackson

(74) *Attorney, Agent, or Firm* — Vichit Chea

(73) Assignee: **Ford Global Technologies, LLC**,  
Dearborn, MI (US)

(57) **CLAIM**

(\*\*) Term: **15 Years**

The ornamental design for a vehicle tail lamp, as shown and described.

(21) Appl. No.: **29/685,623**

(22) Filed: **Mar. 29, 2019**

(51) **LOC (12) Cl.** ..... **26-06**

(52) **U.S. Cl.**

USPC ..... **D26/28**

(58) **Field of Classification Search**

USPC ..... D26/28–36, 139

CPC ..... F21S 48/00; F21S 48/10; F21S 48/115;

F21S 48/225; F21S 48/1233; F21S

48/1266; F21S 48/1388; F21S 48/2268;

F21V 21/04; F21V 29/004; B60Q 9/13;

B60Q 9/135; B60Q 9/1375

See application file for complete search history.

**DESCRIPTION**

FIG. 1 is a front elevational view of a vehicle tail lamp, showing our new design;

FIG. 2 is a left side elevational view thereof;

FIG. 3 is a right side elevational view thereof;

FIG. 4 is a top plan view thereof;

FIG. 5 is a bottom plan view thereof;

FIG. 6 is a top, front, and left side perspective view thereof; and,

FIG. 7 is a bottom, front, and left side perspective view thereof.

(56) **References Cited**

U.S. PATENT DOCUMENTS

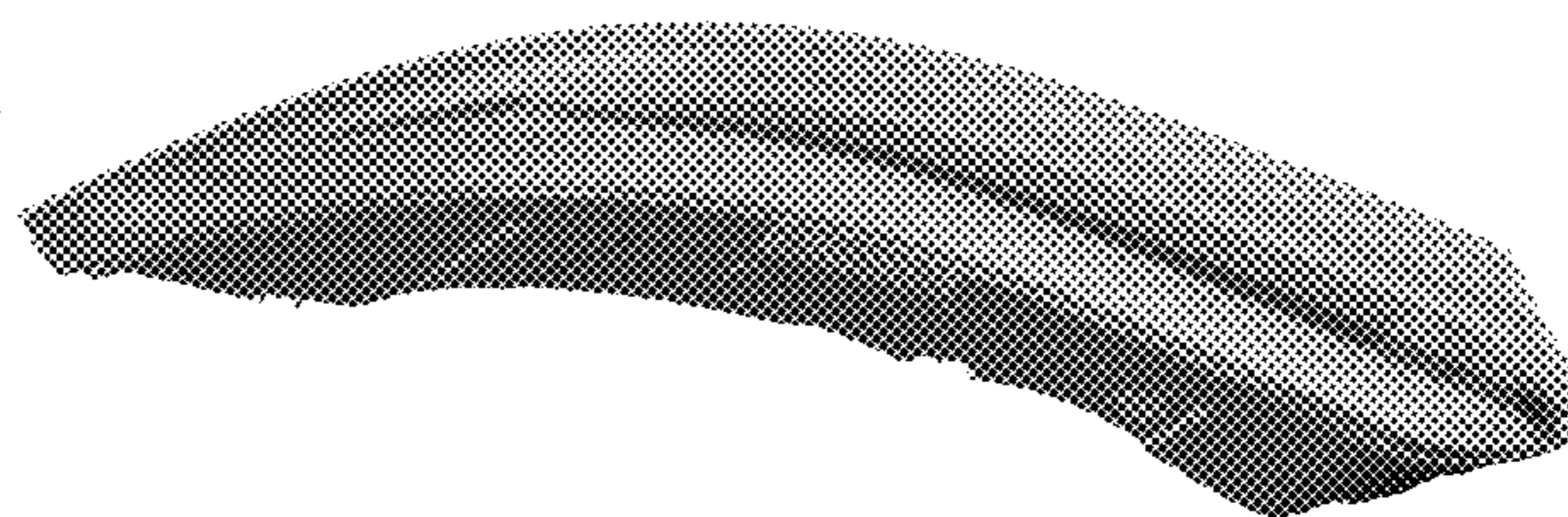
D526,427 S \* 8/2006 Morioka ..... D26/28

D550,380 S \* 9/2007 Lin ..... D26/28

D561,358 S \* 2/2008 Tachibana ..... D26/28

D565,211 S \* 3/2008 Haller ..... D26/28

**1 Claim, 7 Drawing Sheets**



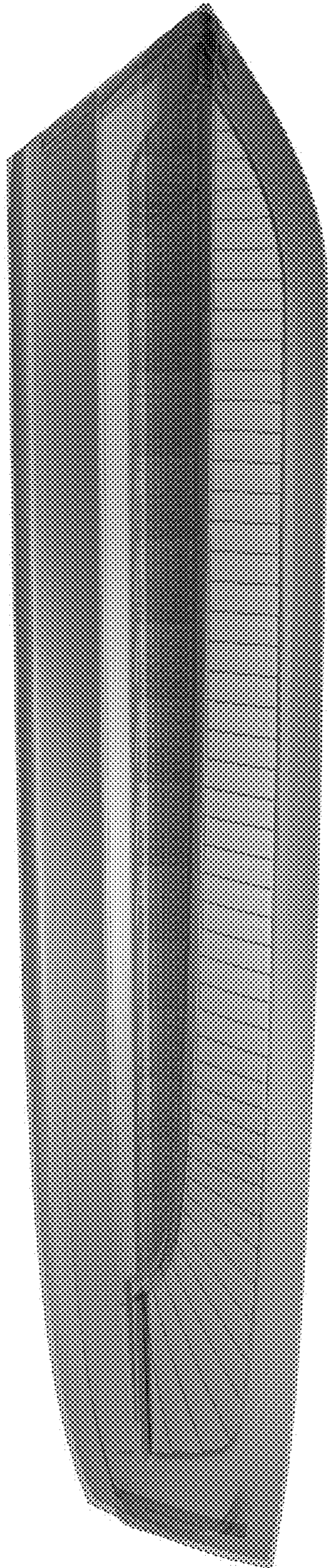


Fig.1

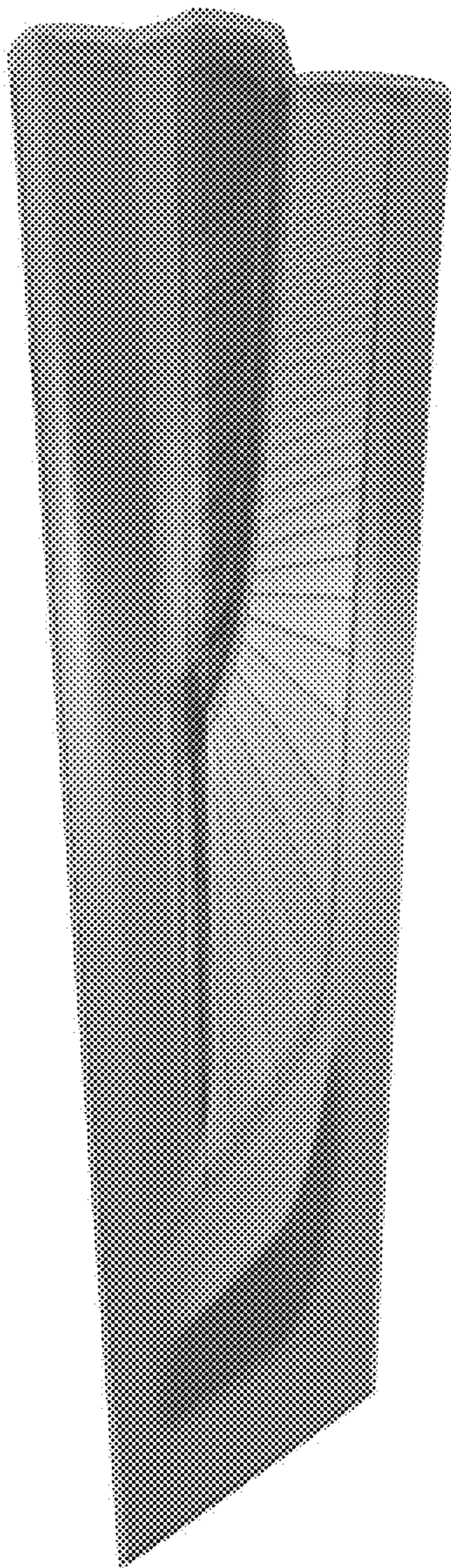


Fig. 2

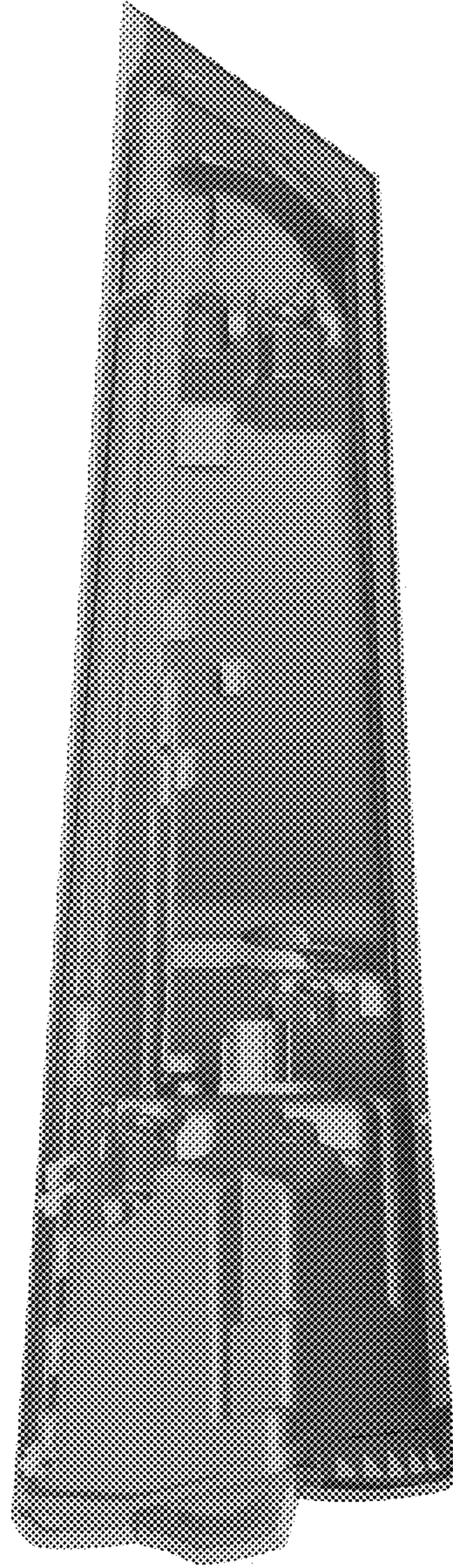


Fig. 3

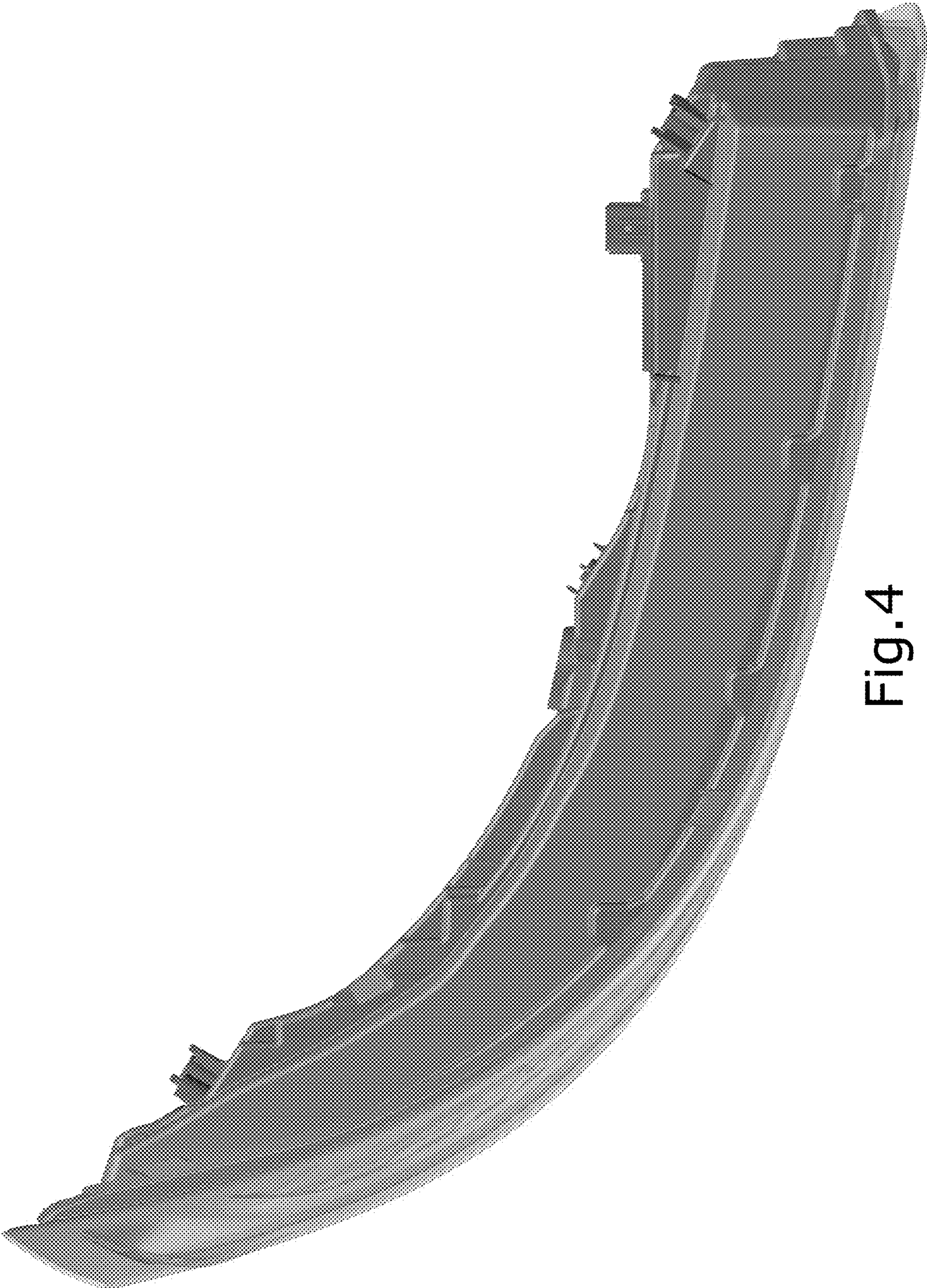


Fig.4

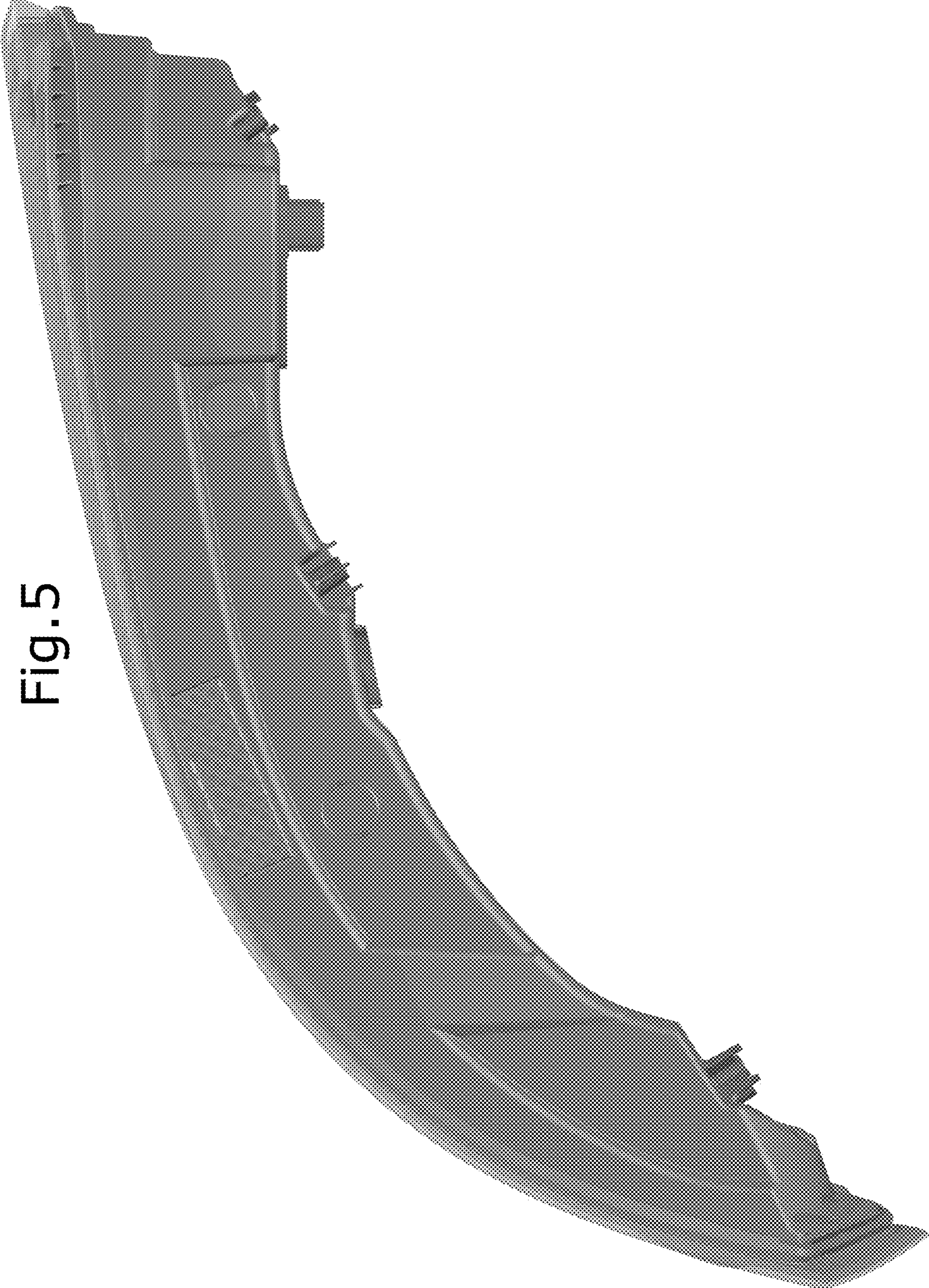


Fig. 5

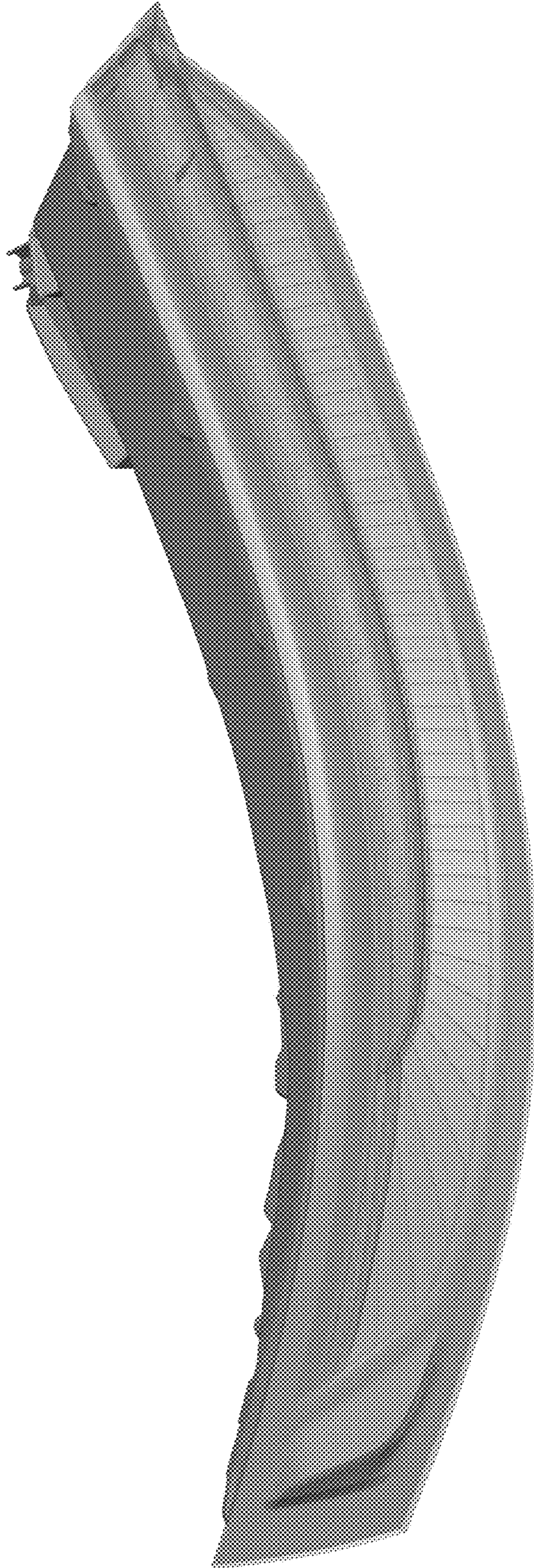


Fig. 6

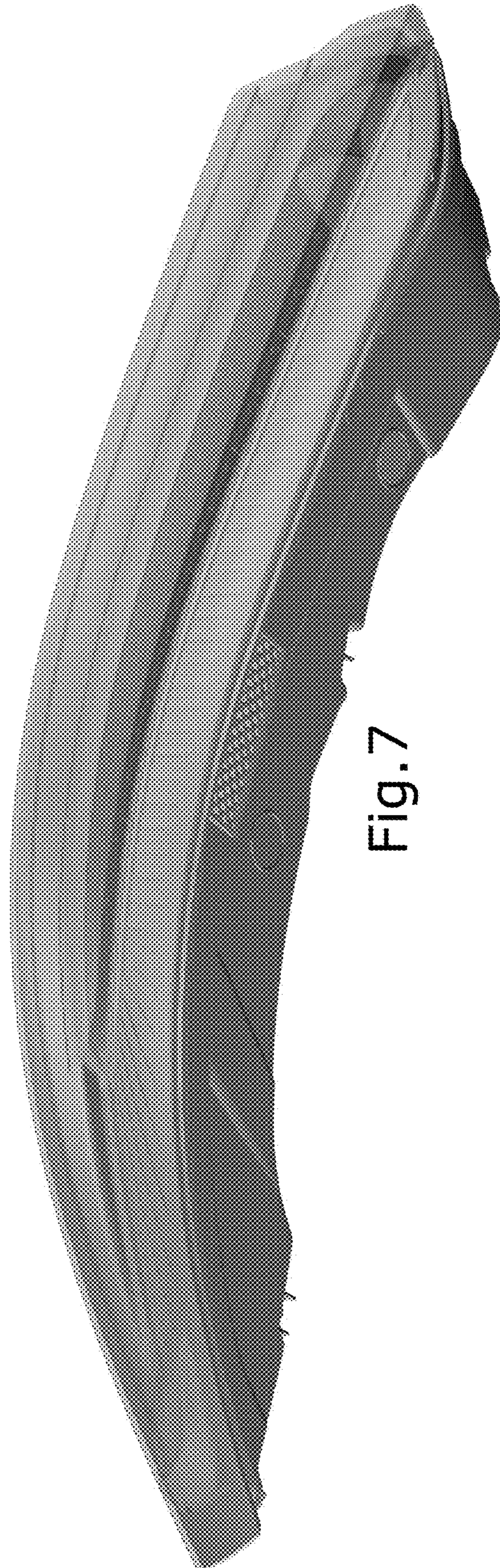


Fig. 7