



US00D891654S

(12) **United States Design Patent**
Woodhouse et al.

(10) **Patent No.:** **US D891,654 S**

(45) **Date of Patent:** **** Jul. 28, 2020**

(54) **VEHICLE HEADLIGHT**

(71) Applicant: **Ford Global Technologies, LLC**,
Dearborn, MI (US)

(72) Inventors: **David Woodhouse**, Troy, MI (US);
Kemal Curic, Irvine, CA (US); **Shawn Wehrly**, Northville, MI (US); **Anthony Colard**, Dearborn, MI (US)

(73) Assignee: **Ford Global Technologies, LLC**,
Dearborn, MI (US)

(**) Term: **15 Years**

(21) Appl. No.: **29/685,594**

(22) Filed: **Mar. 29, 2019**

(51) **LOC (12) Cl.** **26-06**

(52) **U.S. Cl.**

USPC **D26/28**

(58) **Field of Classification Search**

USPC D26/28-36, 139

CPC F21S 48/00; F21S 48/10; F21S 48/115;

F21S 48/225; F21S 48/1233; F21S

48/1266; F21S 48/1388; F21S 48/2268;

F21V 21/04; F21V 29/004; B60Q 9/13;

B60Q 9/135; B60Q 9/1375

See application file for complete search history.

(56) **References Cited**

U.S. PATENT DOCUMENTS

D717,976 S 11/2014 Gueler et al.
D753,325 S 4/2016 Diephuis et al.

D806,919 S * 1/2018 Hatton D26/28
D808,048 S * 1/2018 Hannemann D26/28
D809,167 S * 1/2018 Chi D26/28
D810,974 S * 2/2018 Sato D26/28
D812,270 S * 3/2018 Minamiyama D26/28
D812,271 S * 3/2018 Katagiri D26/28
D812,273 S * 3/2018 Wu D26/28

* cited by examiner

Primary Examiner — Marcus A Jackson

(74) *Attorney, Agent, or Firm* — Vichit Chea

(57) **CLAIM**

The ornamental design for a vehicle headlight, as shown and described.

DESCRIPTION

FIG. 1 is a front elevational view of a vehicle headlight, showing our new design;

FIG. 2 is a left side elevational view thereof;

FIG. 3 is a right side elevational view thereof;

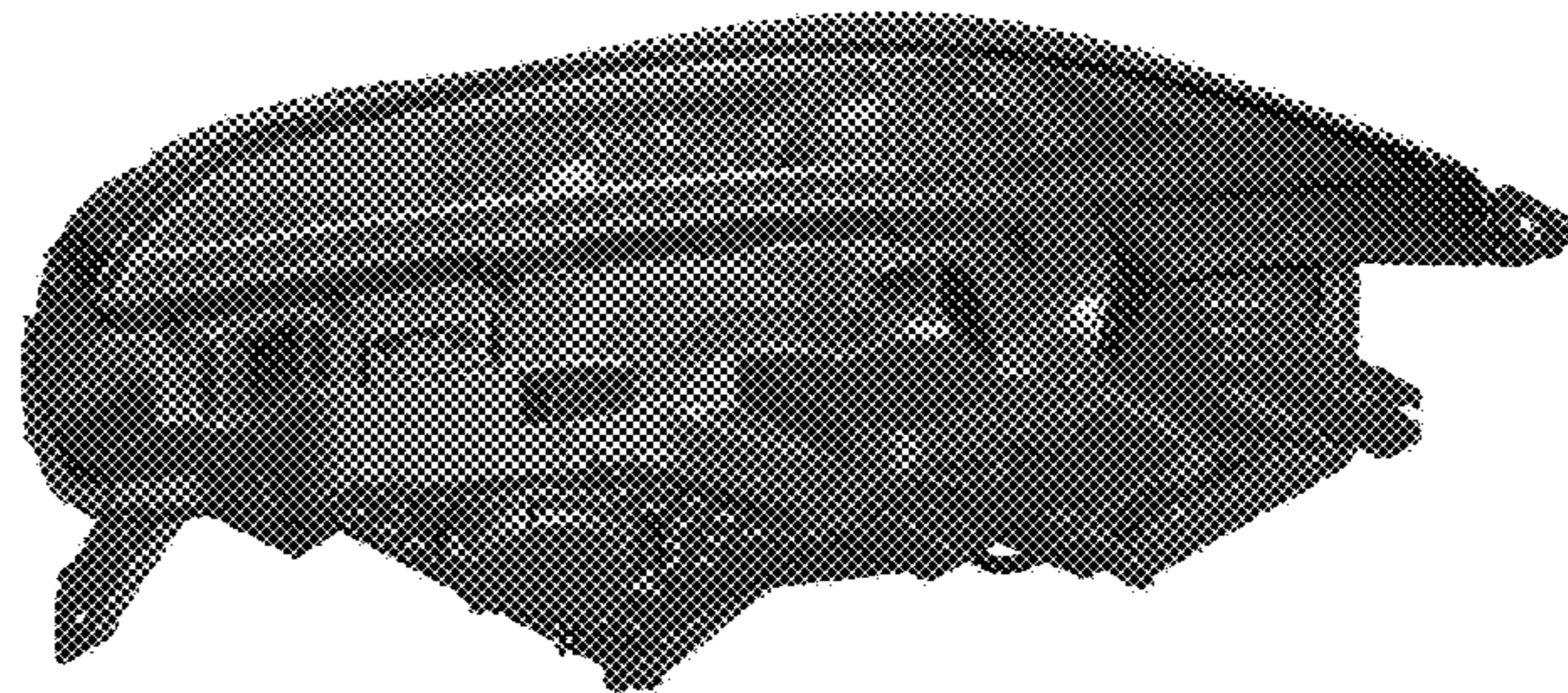
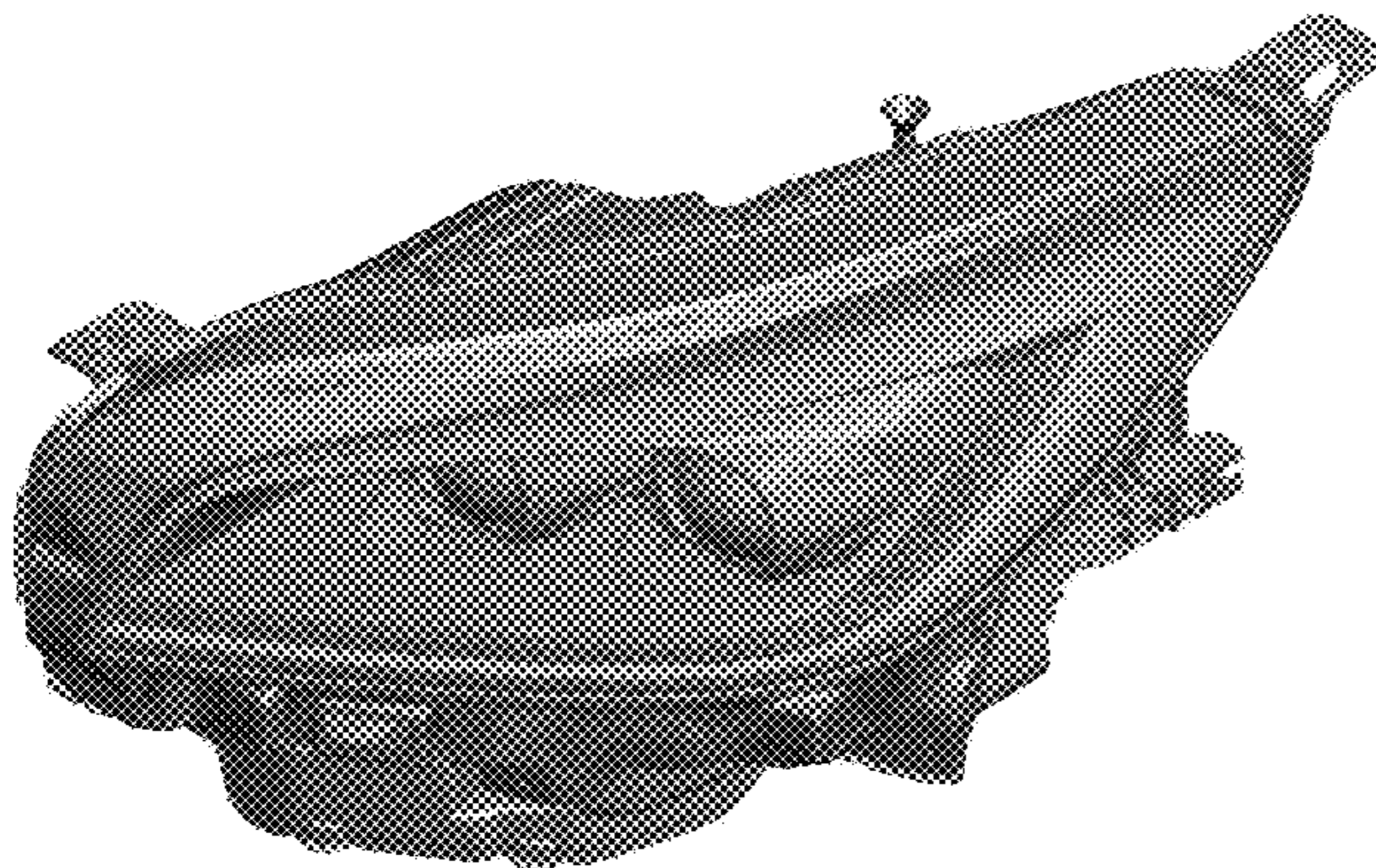
FIG. 4 is a top plan view thereof;

FIG. 5 is a bottom plan view thereof;

FIG. 6 is a top, front, and left side perspective view thereof; and,

FIG. 7 is a bottom, front, and left side perspective view thereof.

1 Claim, 7 Drawing Sheets



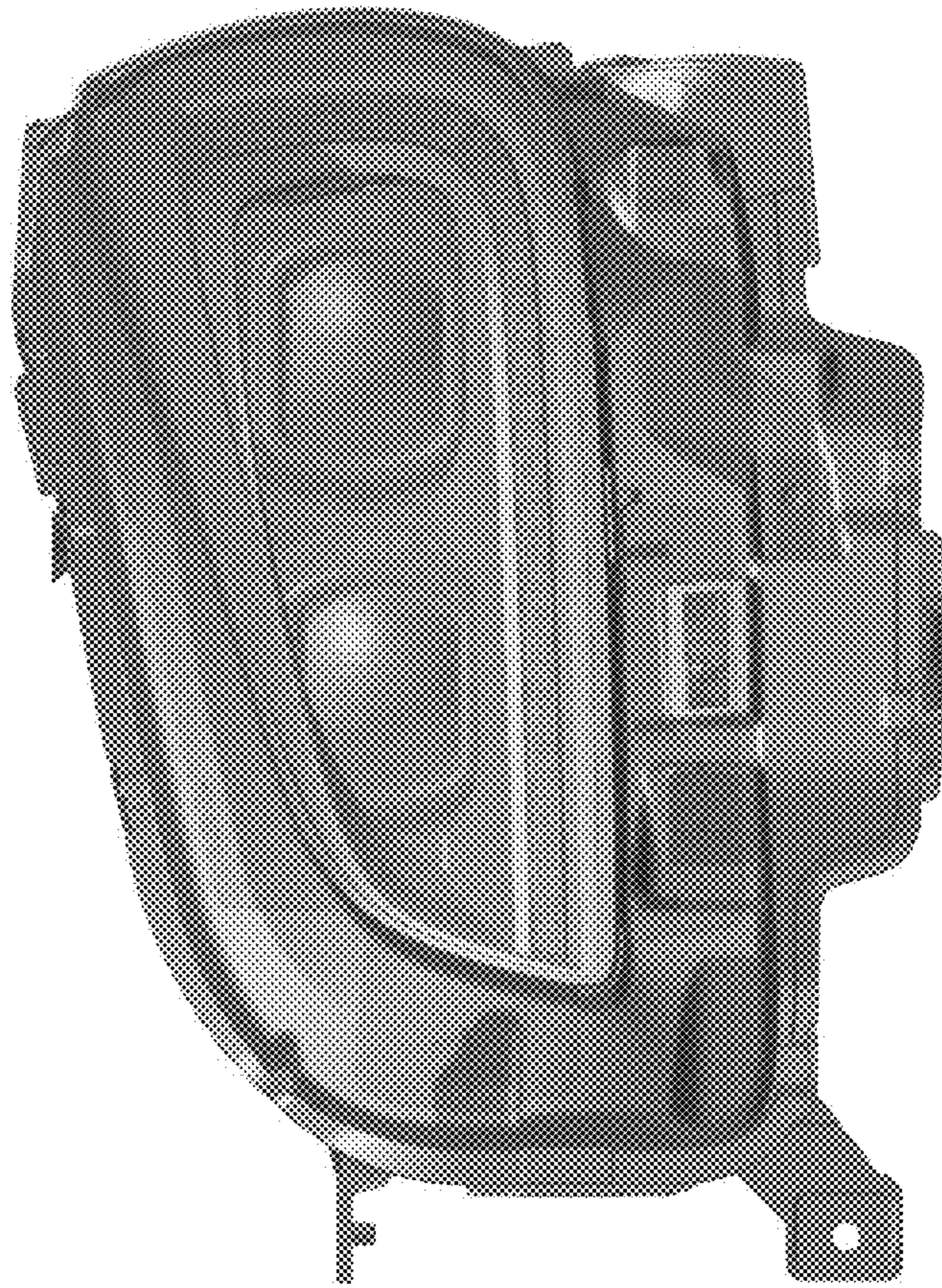


Fig. 1

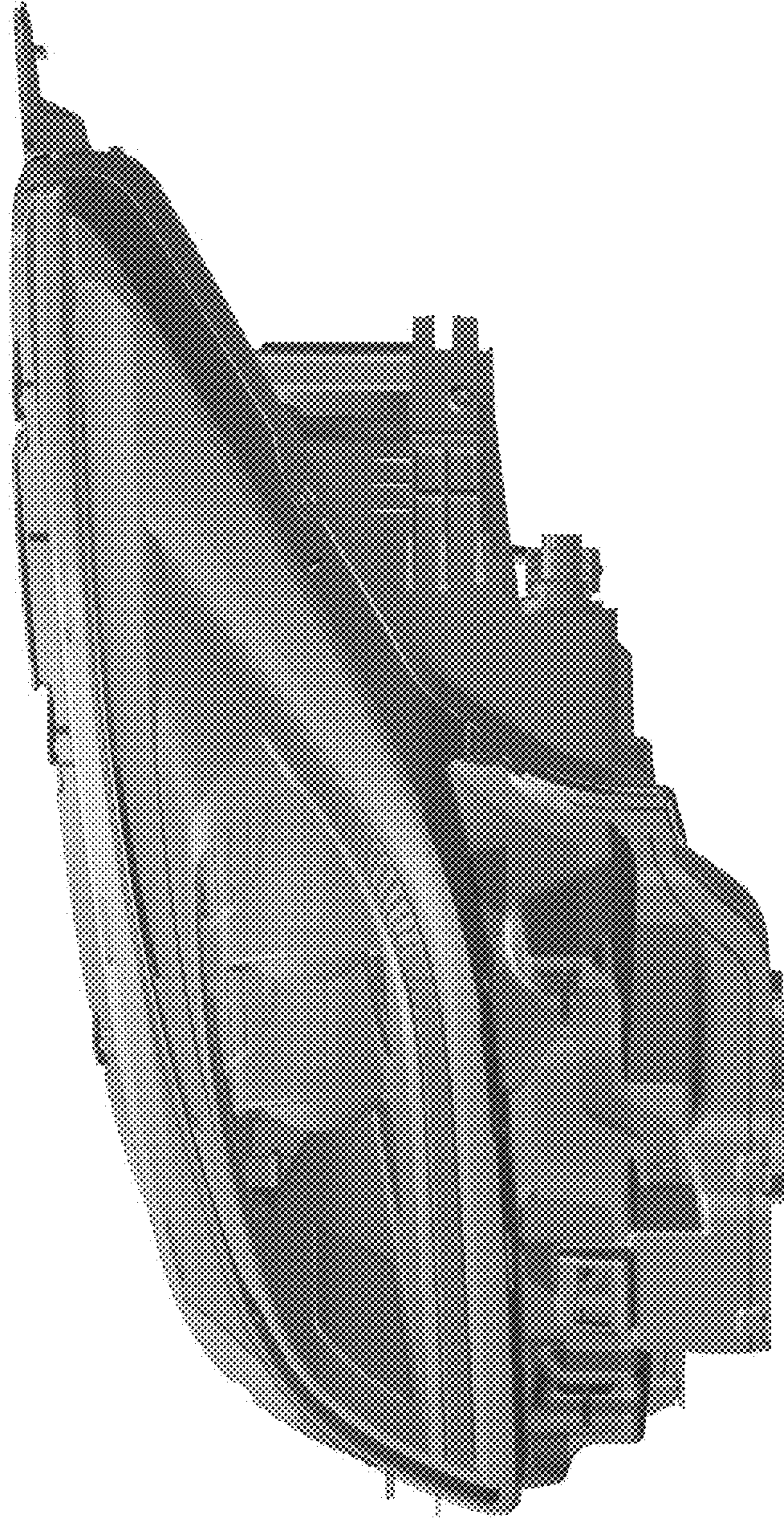


Fig. 2

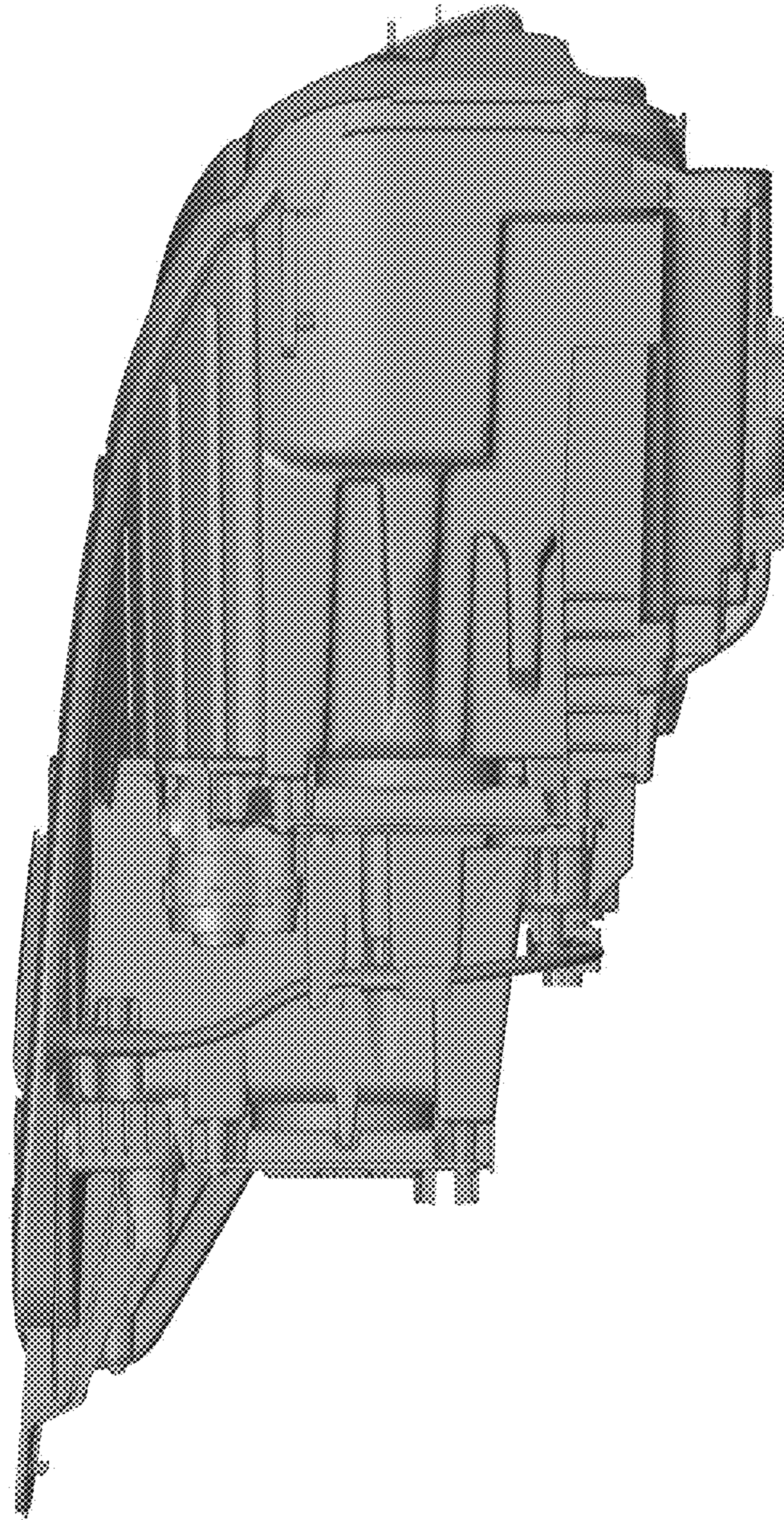


Fig. 3

Fig. 4

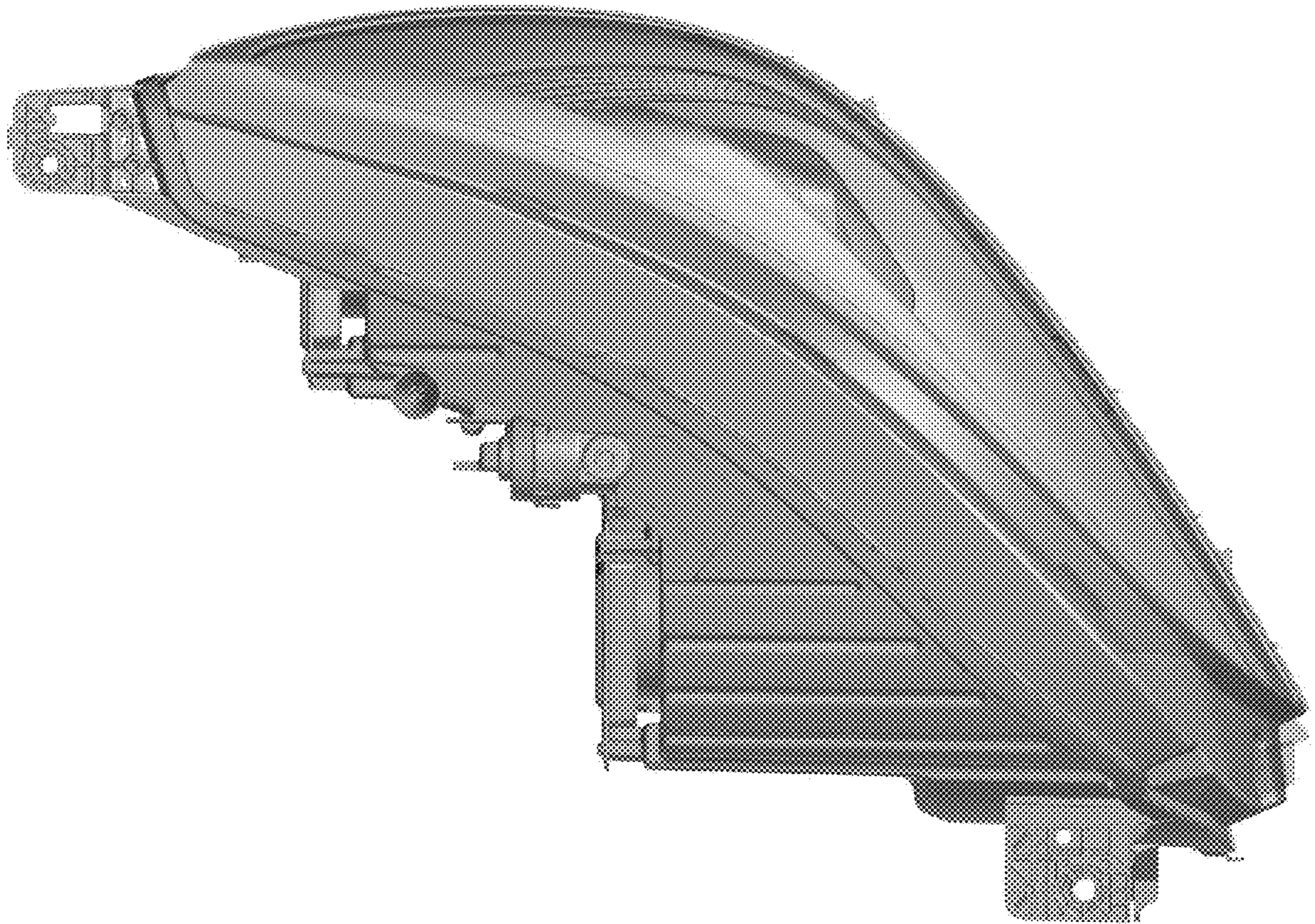
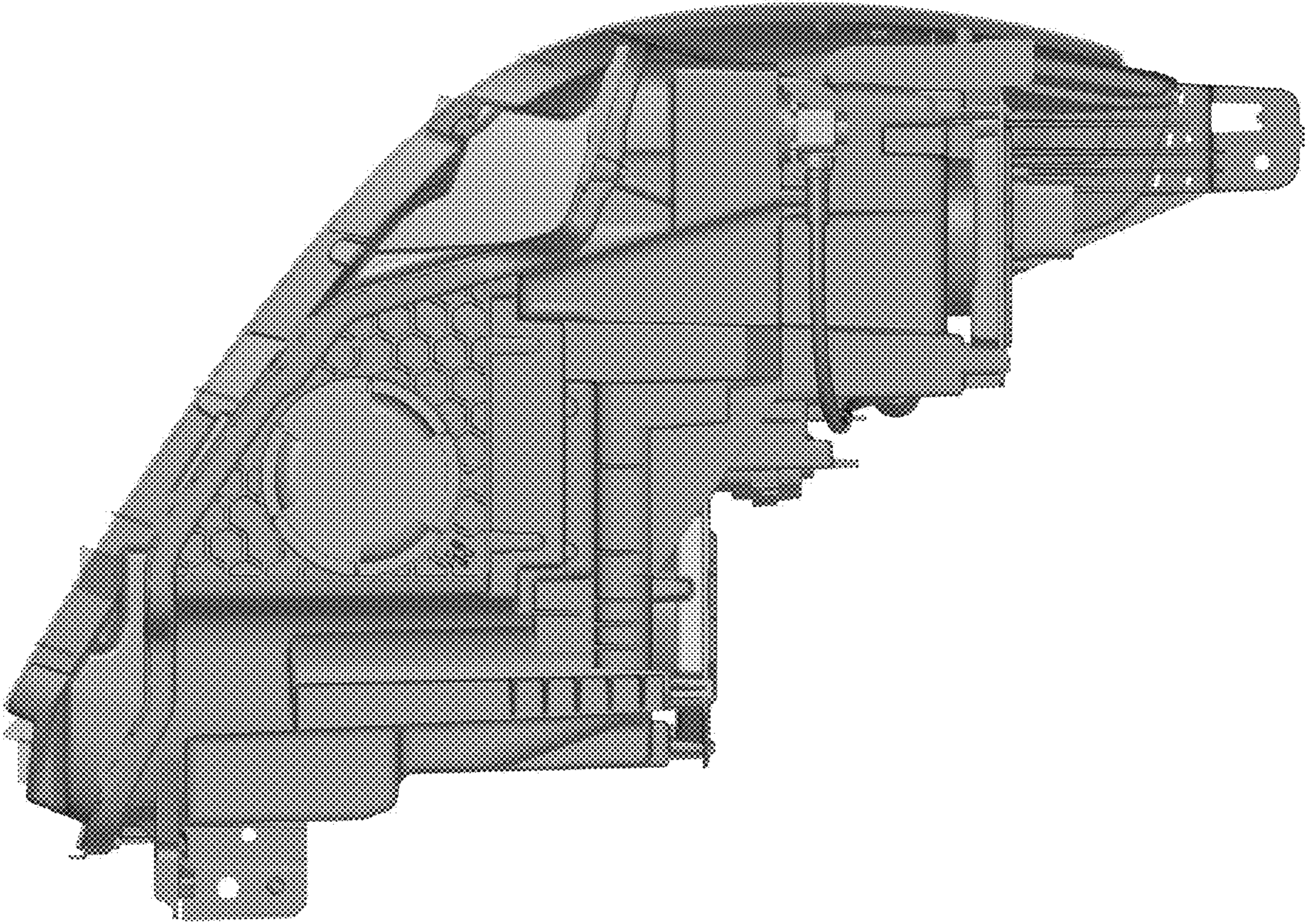


Fig. 5



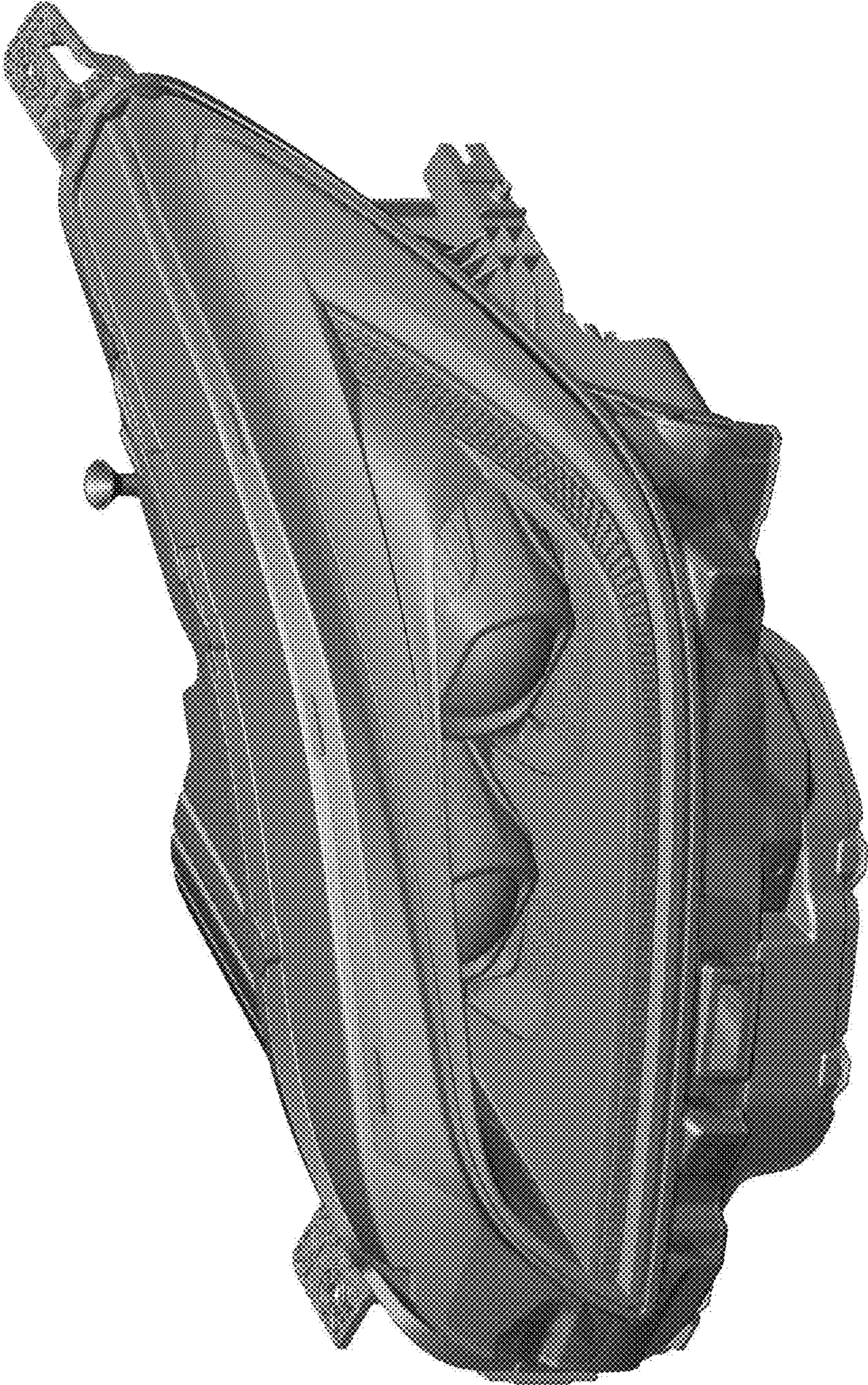


Fig.6

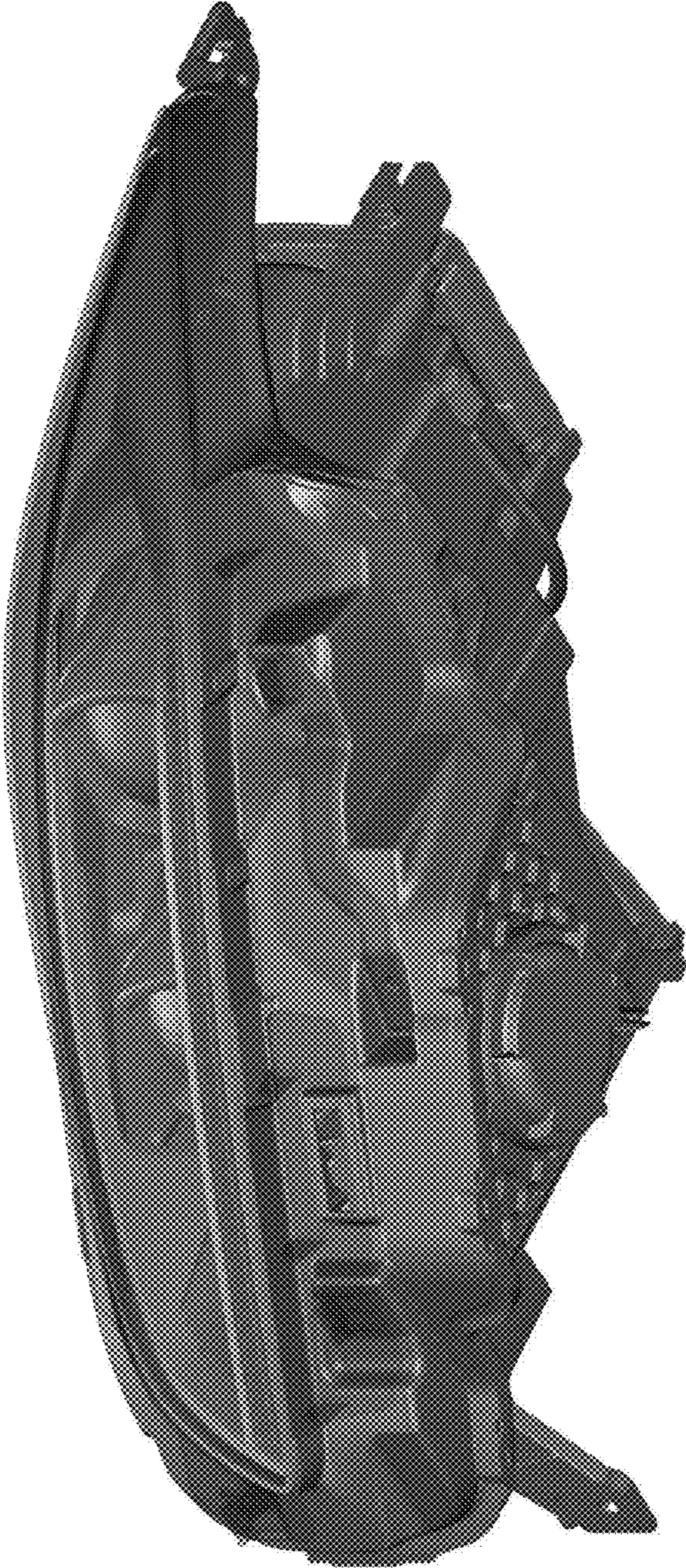


Fig. 7