



US00D891651S

(12) **United States Design Patent**  
**Metros et al.**

(10) **Patent No.:** **US D891,651 S**

(45) **Date of Patent:** **\*\* Jul. 28, 2020**

(54) **VEHICLE HEADLIGHT**

(71) Applicant: **Ford Global Technologies, LLC,**  
Dearborn, MI (US)

(72) Inventors: **Craig Metros,** Bloomfield, MI (US);  
**George Bucher,** Dearborn, MI (US);  
**James Grake,** Beverly Hills, MI (US);  
**Andrew Bazinski,** Amherstburg (CA)

(73) Assignee: **Ford Global Technologies, LLC,**  
Dearborn, MI (US)

(\*\*) Term: **15 Years**

(21) Appl. No.: **29/685,387**

(22) Filed: **Mar. 28, 2019**

(51) **LOC (12) Cl.** ..... **26-06**

(52) **U.S. Cl.**

USPC ..... **D26/28**

(58) **Field of Classification Search**

USPC ..... D26/28-36, 139

CPC ..... F21S 48/00; F21S 48/10; F21S 48/115;  
F21S 48/225; F21S 48/1233; F21S  
48/1266; F21S 48/1388; F21S 48/2268;  
F21V 21/04; F21V 29/004; B60Q 9/13;  
B60Q 9/135; B60Q 9/1375

See application file for complete search history.

(56) **References Cited**

**U.S. PATENT DOCUMENTS**

D528,231 S \* 9/2006 Ikeda ..... D26/28  
D529,208 S \* 9/2006 Ikeda ..... D26/28

D544,614 S \* 6/2007 Markefka ..... D26/28  
D559,416 S 1/2008 Schiavone et al.  
D569,017 S 5/2008 Ellis et al.  
D614,326 S 4/2010 Gueler et al.  
D658,321 S \* 4/2012 Takeda ..... D26/28  
D660,481 S 5/2012 Gotschke et al.  
D660,482 S 5/2012 Gotschke et al.  
D676,166 S \* 2/2013 Lai ..... D26/28  
D801,564 S \* 10/2017 Nakamura ..... D26/28

\* cited by examiner

*Primary Examiner* — Marcus A Jackson

(74) *Attorney, Agent, or Firm* — Vichit Chea

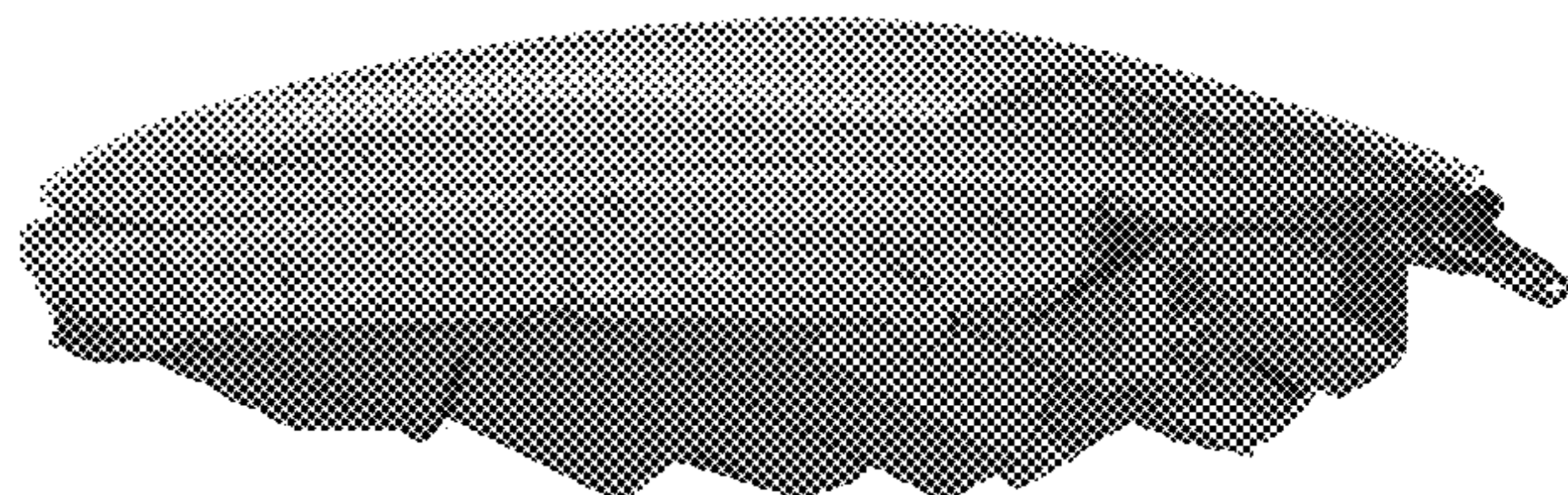
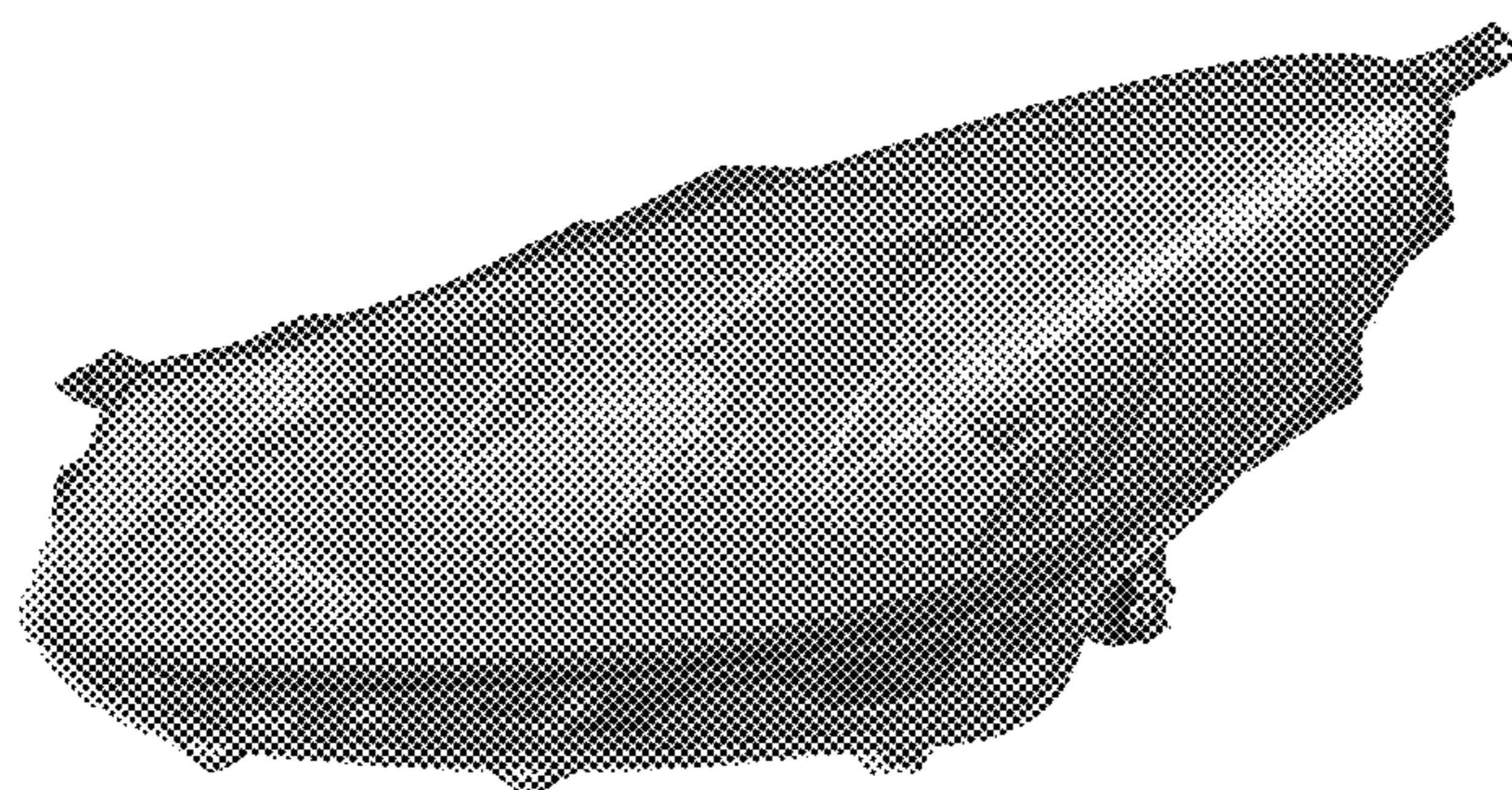
(57) **CLAIM**

The ornamental design for a vehicle headlight, as shown and described.

**DESCRIPTION**

FIG. 1 is a front elevational view of a vehicle headlight, showing our new design;  
FIG. 2 is a left side elevational view thereof;  
FIG. 3 is a right side elevational view thereof;  
FIG. 4 is a top plan view thereof;  
FIG. 5 is a bottom plan view thereof;  
FIG. 6 is a top, front, and left side perspective view thereof; and,  
FIG. 7 is a bottom, front, and left side perspective view thereof.

**1 Claim, 7 Drawing Sheets**



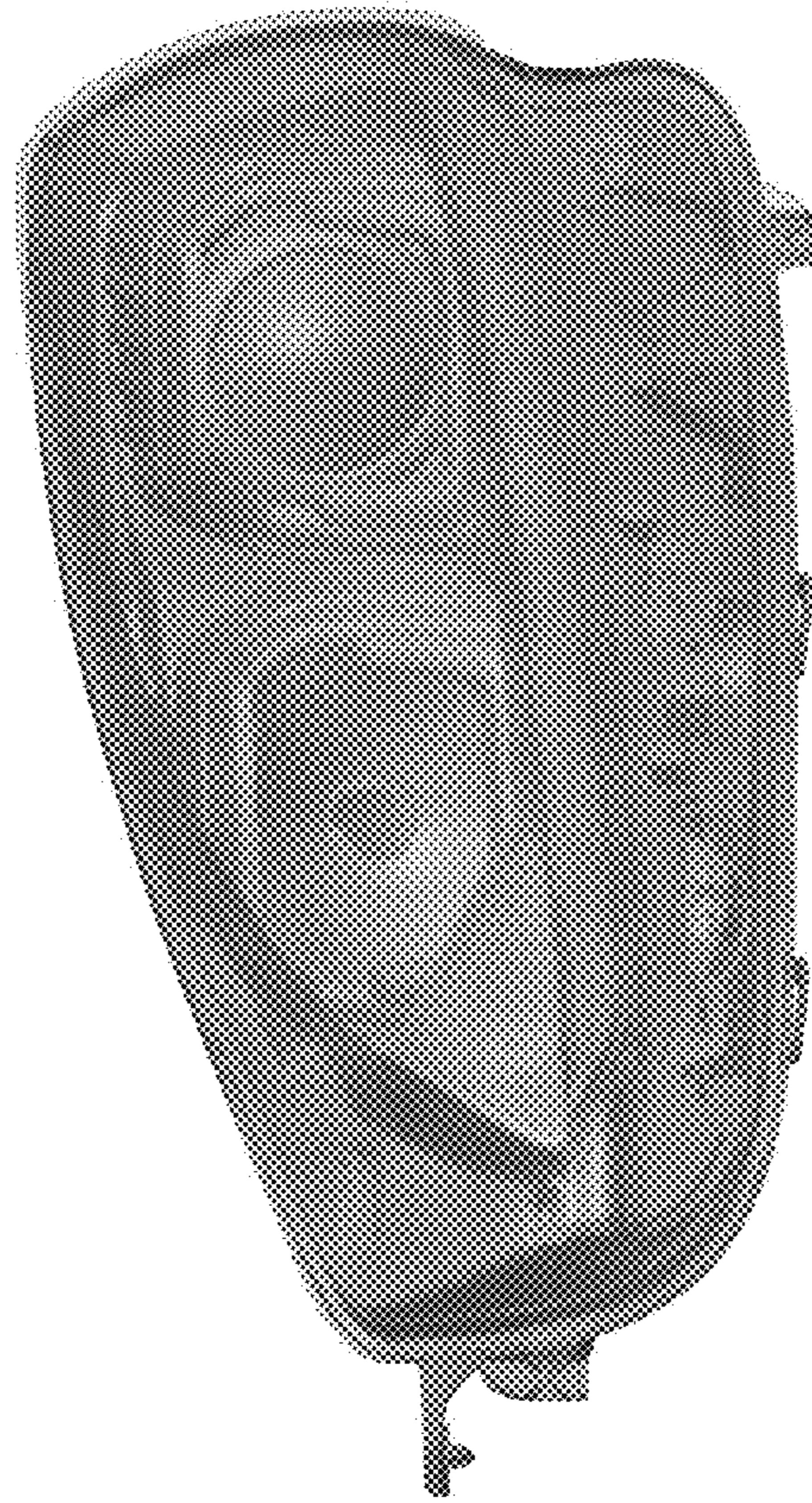


Fig. 1



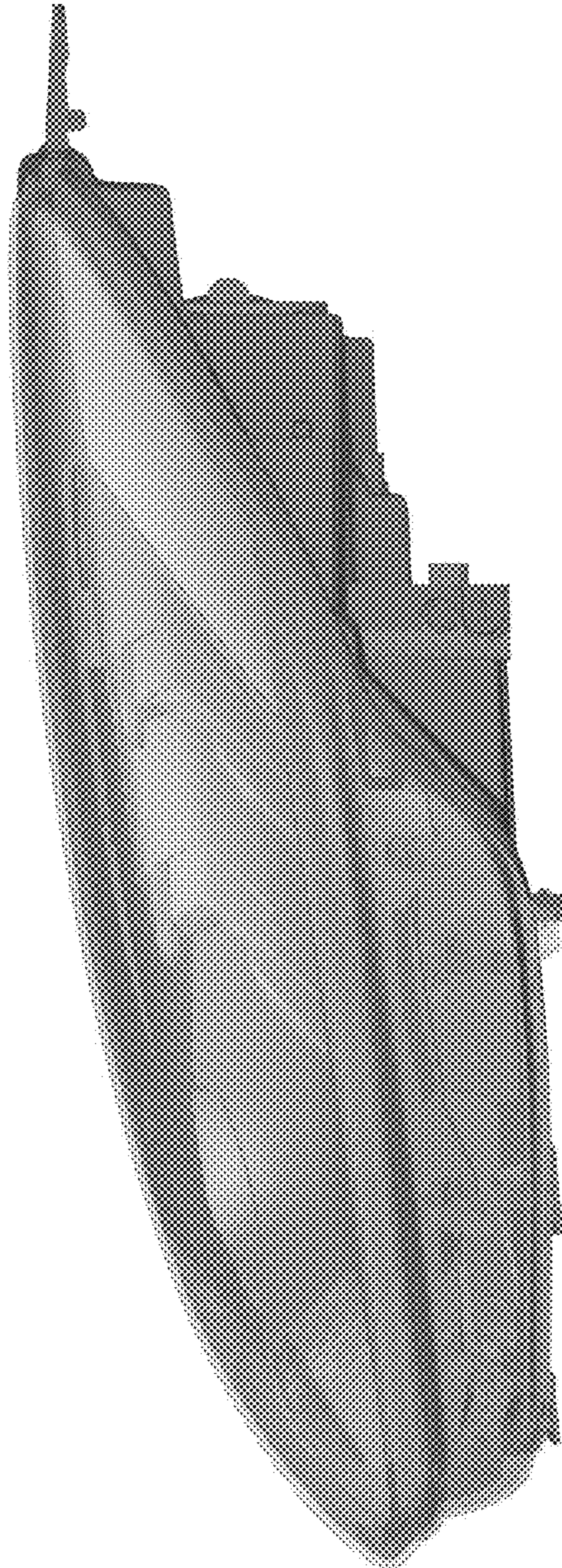


Fig.2

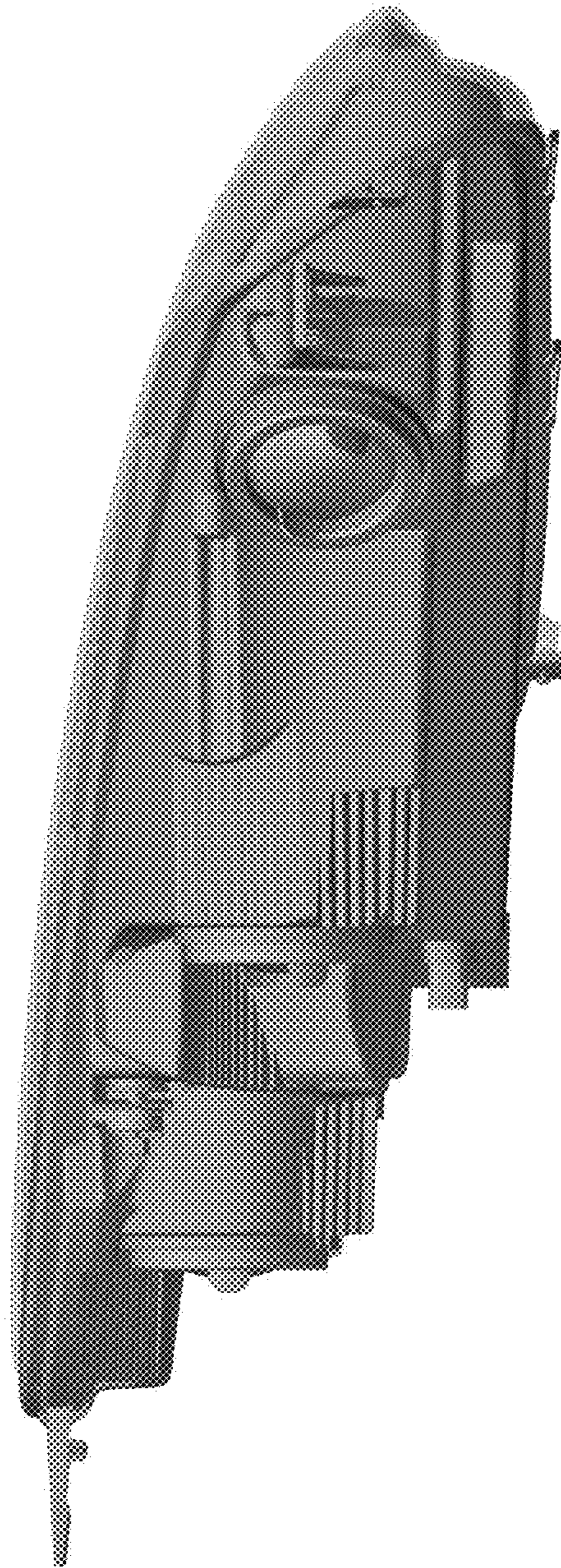


Fig. 3



Fig. 4

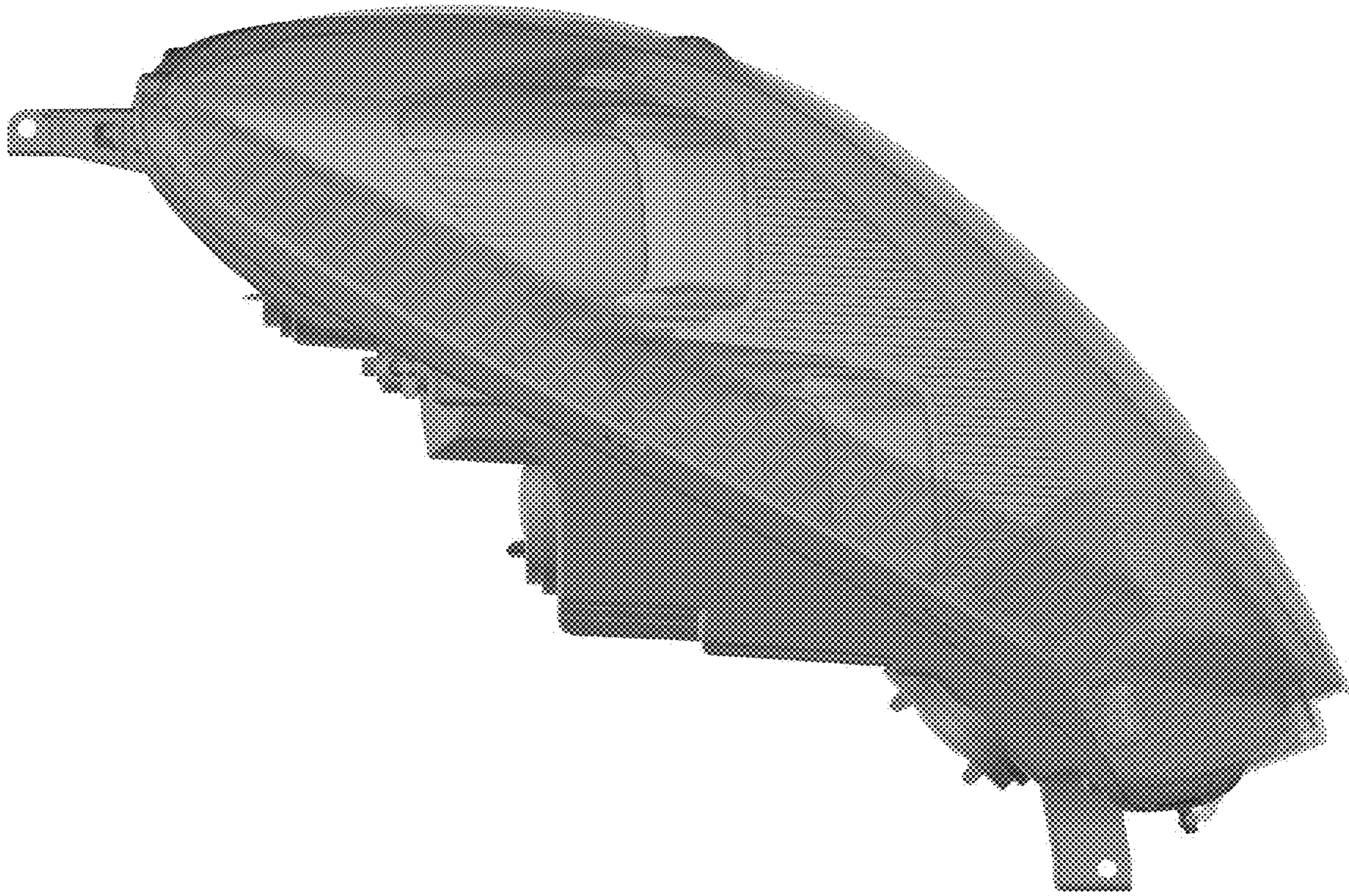


Fig. 5

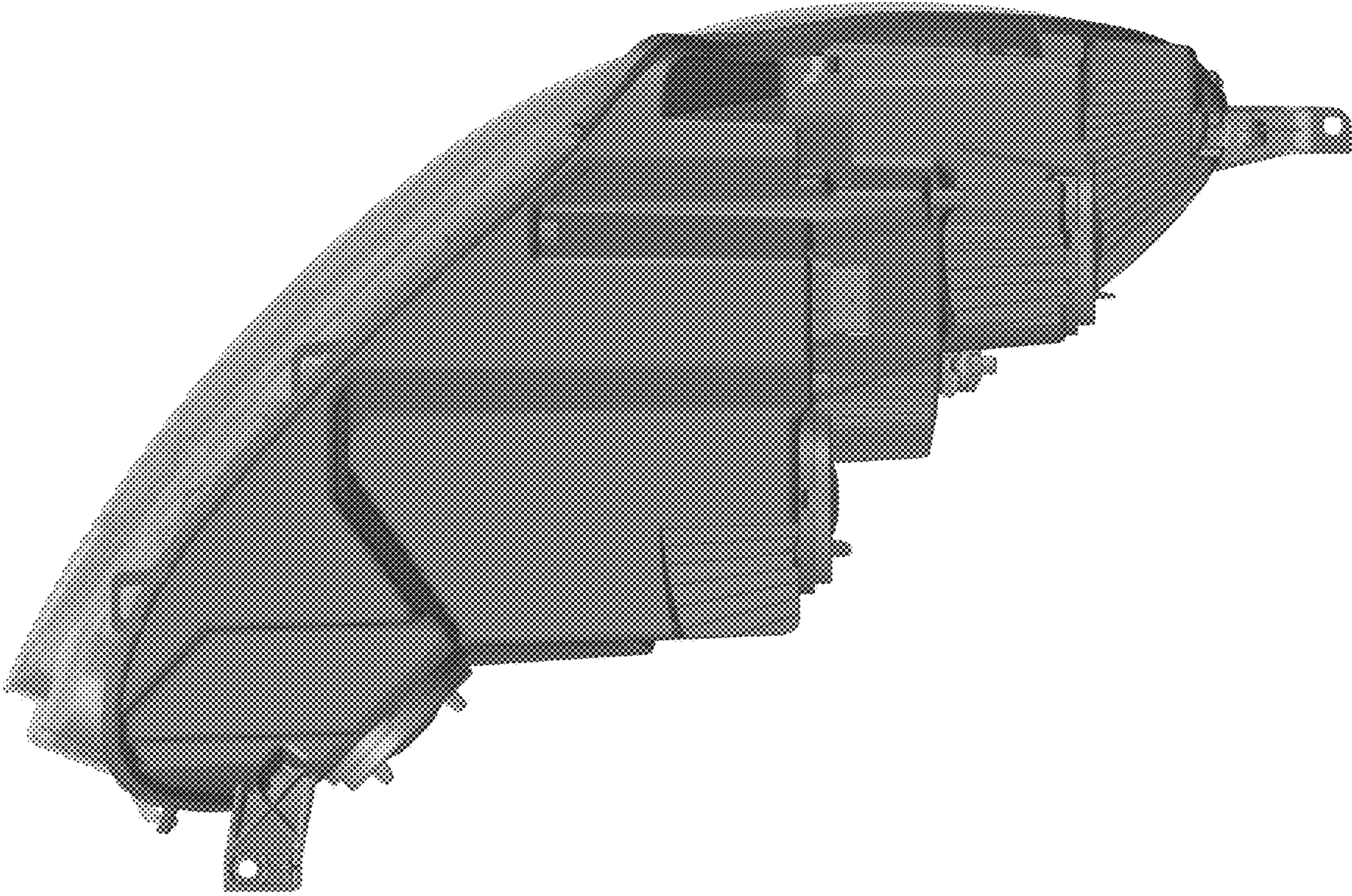






Fig.6



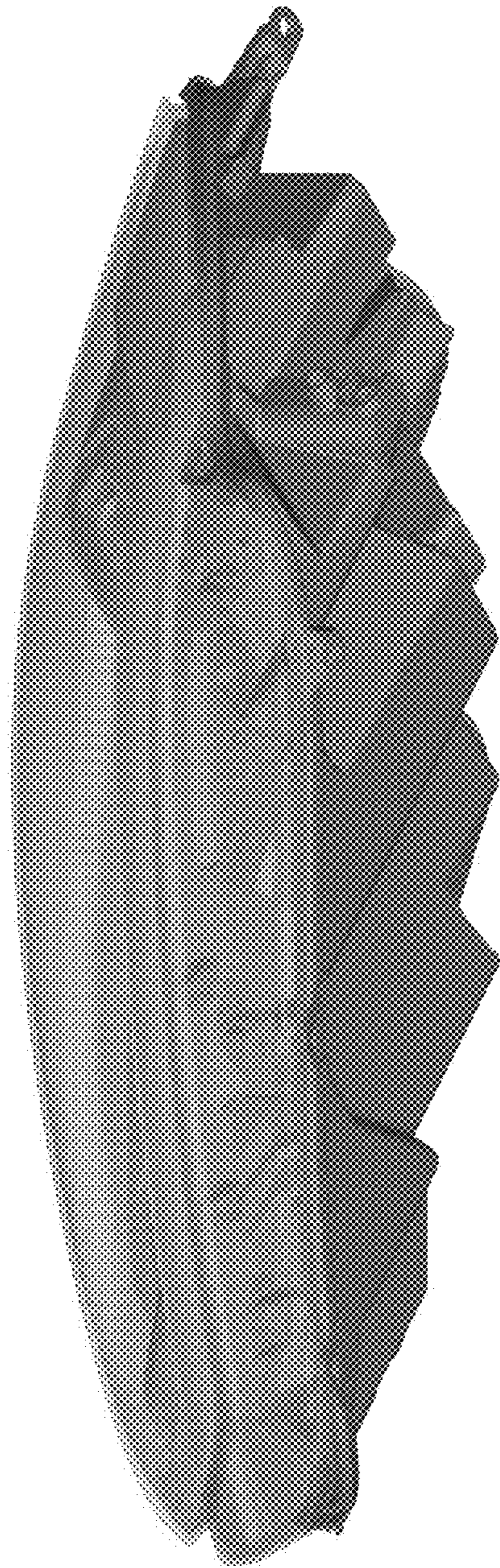


Fig. 7