



US00D891647S

(12) **United States Design Patent**
Lane et al.

(10) **Patent No.:** **US D891,647 S**
(45) **Date of Patent:** **** Jul. 28, 2020**

(54) **WARMER**

(71) Applicant: **The Procter & Gamble Company,**
Cincinnati, OH (US)

(72) Inventors: **Richard Lee Lane,** Cincinnati, OH
(US); **Cindy Anne Garner,** Springfield
Township, OH (US); **Kathleen Anne**
Perry, Walton, KY (US)

(73) Assignee: **The Procter & Gamble Company,**
Cincinnati, OH (US)

(**) Term: **15 Years**

(21) Appl. No.: **29/634,387**

(22) Filed: **Jan. 22, 2018**

(51) **LOC (12) Cl.** **26-01**

(52) **U.S. Cl.**
USPC **D26/22**

(58) **Field of Classification Search**

USPC D7/323, 339, 352, 354-366, 396.1, 402,
D7/409; D26/9, 20, 21, 22, 23
CPC .. A21B 3/00; A21B 3/13; A21B 3/131; A21B
3/132; A21B 3/135; A21B 3/136; A21B
3/137; A21B 3/15; A21B 5/00; A21B
5/02; A21B 5/04; A47J 27/00; A47J
37/00; A47J 37/01; A47J 37/04; A47J
37/06; A47J 37/10; A47J 37/0611; A47J
37/08; A47J 37/0807; A47J 37/0814;
A47J 37/0835; A47J 37/0842; A47J
37/085; A47J 37/0864; A47J 37/0878;
A47J 37/0885; A47J 37/0892; A47J
36/00; A47J 36/02; A47J 36/06; A47J
36/16; A47J 36/24; A47J 36/022; A47J
36/027; A47J 43/20

See application file for complete search history.

(56) **References Cited**

U.S. PATENT DOCUMENTS

D270,323 S * 8/1983 Powers D7/360
D415,933 S * 11/1999 Cornelissen D7/354

D533,951 S * 12/2006 Adams D26/9
D534,666 S * 1/2007 Adams D26/9
D545,628 S * 7/2007 Serra D7/360
D551,023 S * 9/2007 Natalino D7/361
D568,688 S * 5/2008 Wasserman D7/586
D590,204 S * 4/2009 Tetreault D7/354
D608,584 S * 1/2010 Picozza D7/354
D633,229 S * 2/2011 McWillis D26/9

(Continued)

FOREIGN PATENT DOCUMENTS

EP 2071985 A1 * 6/2009 A47J 27/05
JP 2003310424 A * 11/2003

OTHER PUBLICATIONS

Febreze Wax Melts Warmer, Air Freshener, reviewed Dec. 10, 2009
[online], retrieved Jul. 3, 2019, retrieved from internet, <https://www.pgeveryday.com/brands/febreze/febreze-wax-melts-warmer-air-freshener?page=8>.*

(Continued)

Primary Examiner — Barbara Fox

Assistant Examiner — Messina L Smith

(74) *Attorney, Agent, or Firm* — Abbey A. Lopez

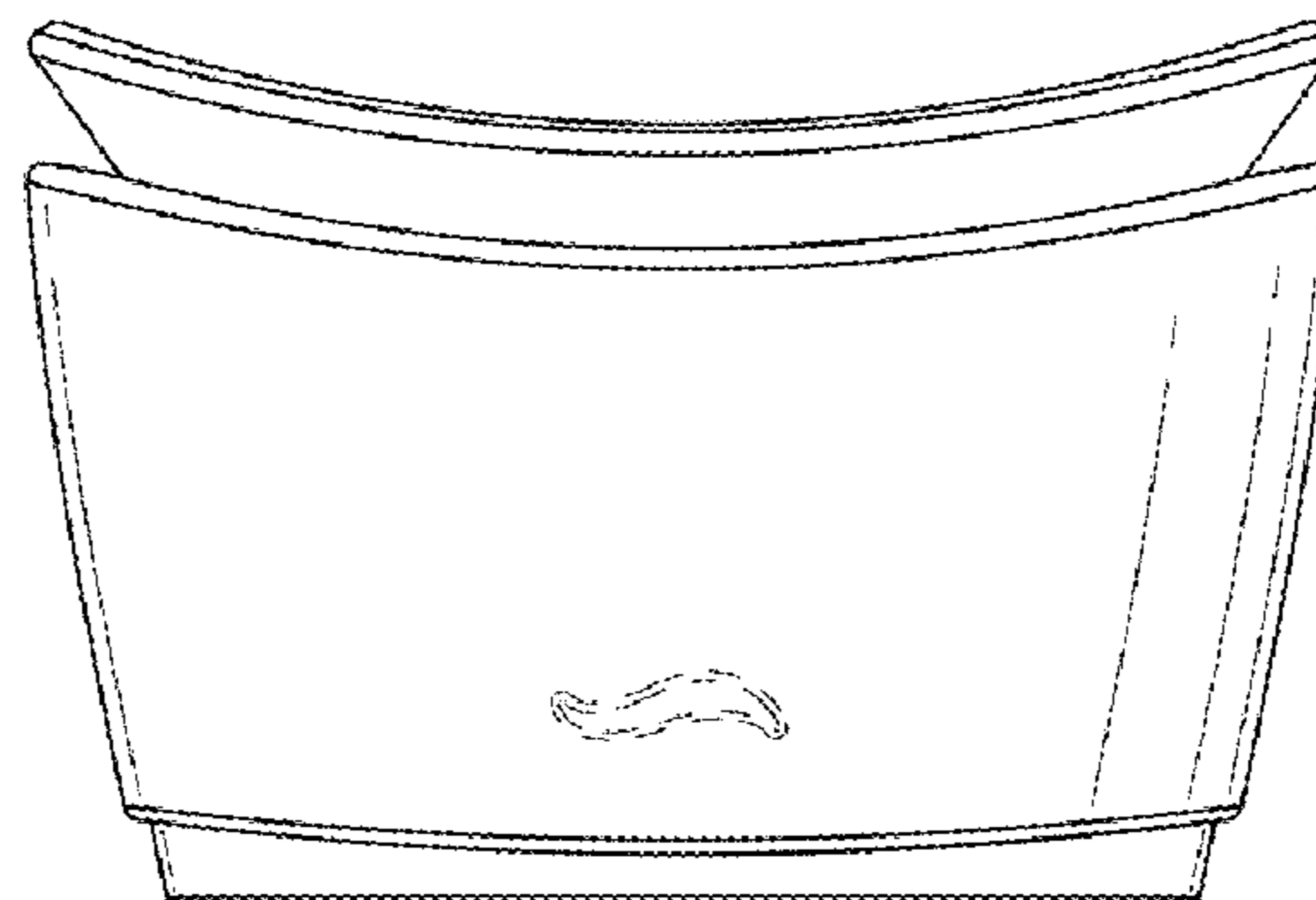
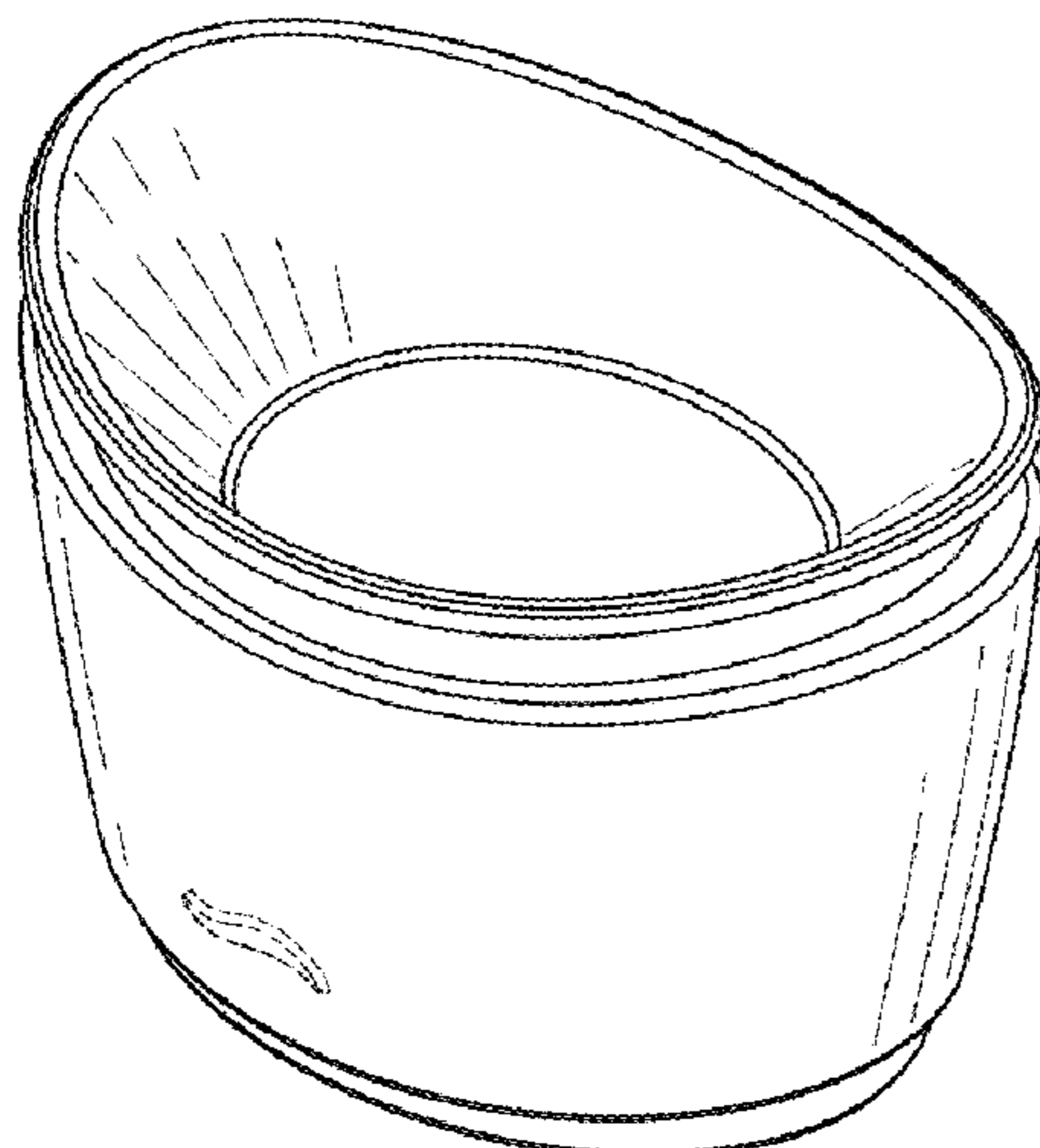
(57) **CLAIM**

The ornamental design for a warmer, as shown and described.

DESCRIPTION

FIG. 1 is a front perspective view of a warmer, showing the new design;
FIG. 2 is a front view thereof;
FIG. 3 is a left view thereof;
FIG. 4 is a back view thereof;
FIG. 5 is a right view thereof;
FIG. 6 is a top view thereof; and,
FIG. 7 is a bottom view thereof.
The broken lines shown in the drawings depict portions of the warmer that form no part of the claimed design.

1 Claim, 1 Drawing Sheet



(56)

References Cited

U.S. PATENT DOCUMENTS

D707,373 S * 6/2014 Nugent D26/22
D729,962 S * 5/2015 Warner D26/22
D817,079 S * 5/2018 Partin D7/360
2006/0163241 A1* 7/2006 Xiao A61L 9/03
219/438
2008/0169280 A1* 7/2008 Barnes A47J 27/004
219/412
2012/0037618 A1* 2/2012 Perez A47J 37/01
219/725
2013/0098921 A1* 4/2013 Yang A47J 36/10
220/573.1
2016/0015203 A1* 1/2016 Terrell A47J 36/20
426/523
2018/0049577 A1* 2/2018 Shi A47J 27/002
2018/0296719 A1* 10/2018 Lane A61L 9/122

OTHER PUBLICATIONS

Febreze Candle Hawaiian Aloha, <https://www.febreze.com/en-us/products/scented-candle-hawaiian-aloha#ratings-reviews-wrapper>, accessed Oct. 4, 2019.

* cited by examiner

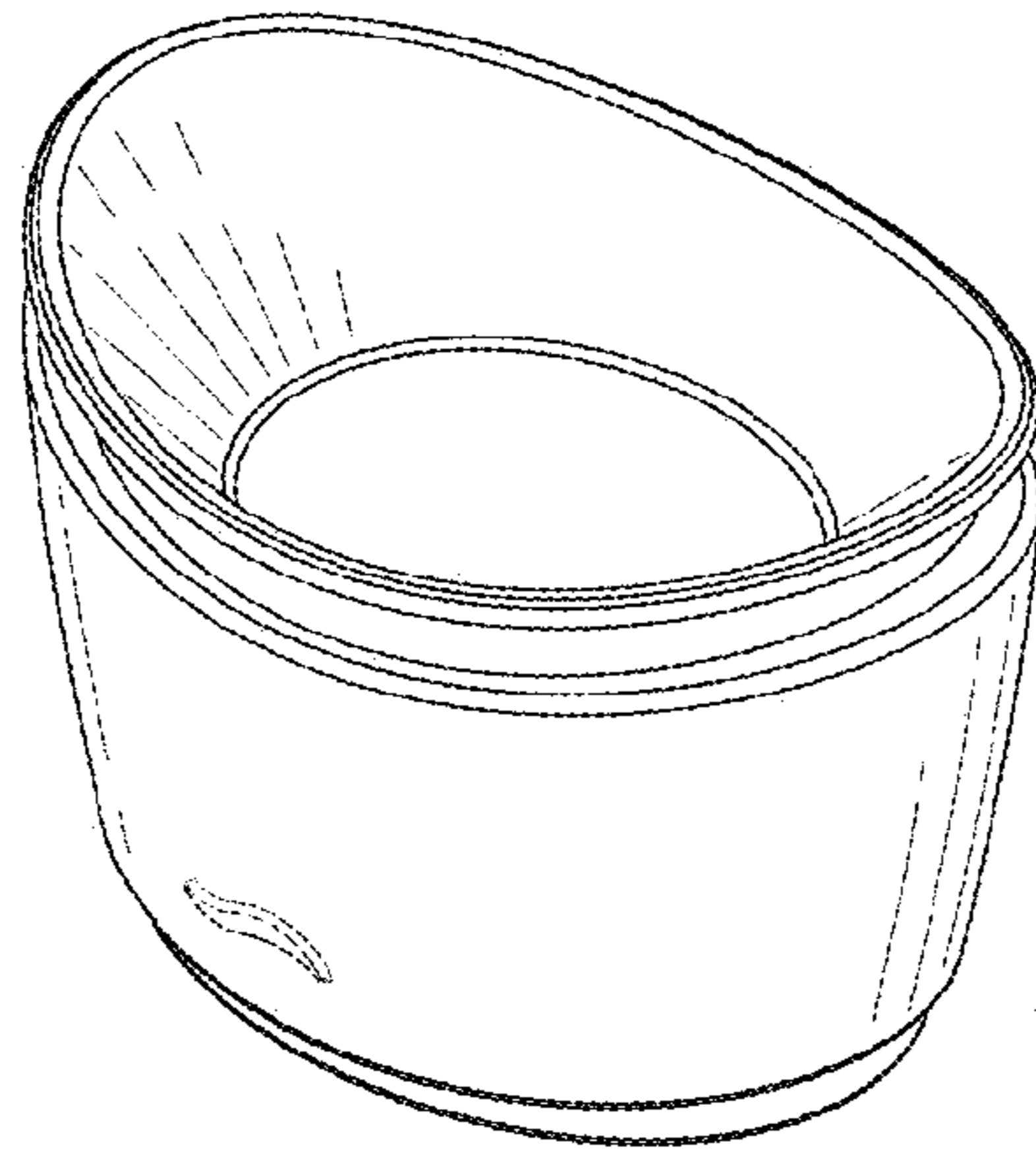


FIG. 1

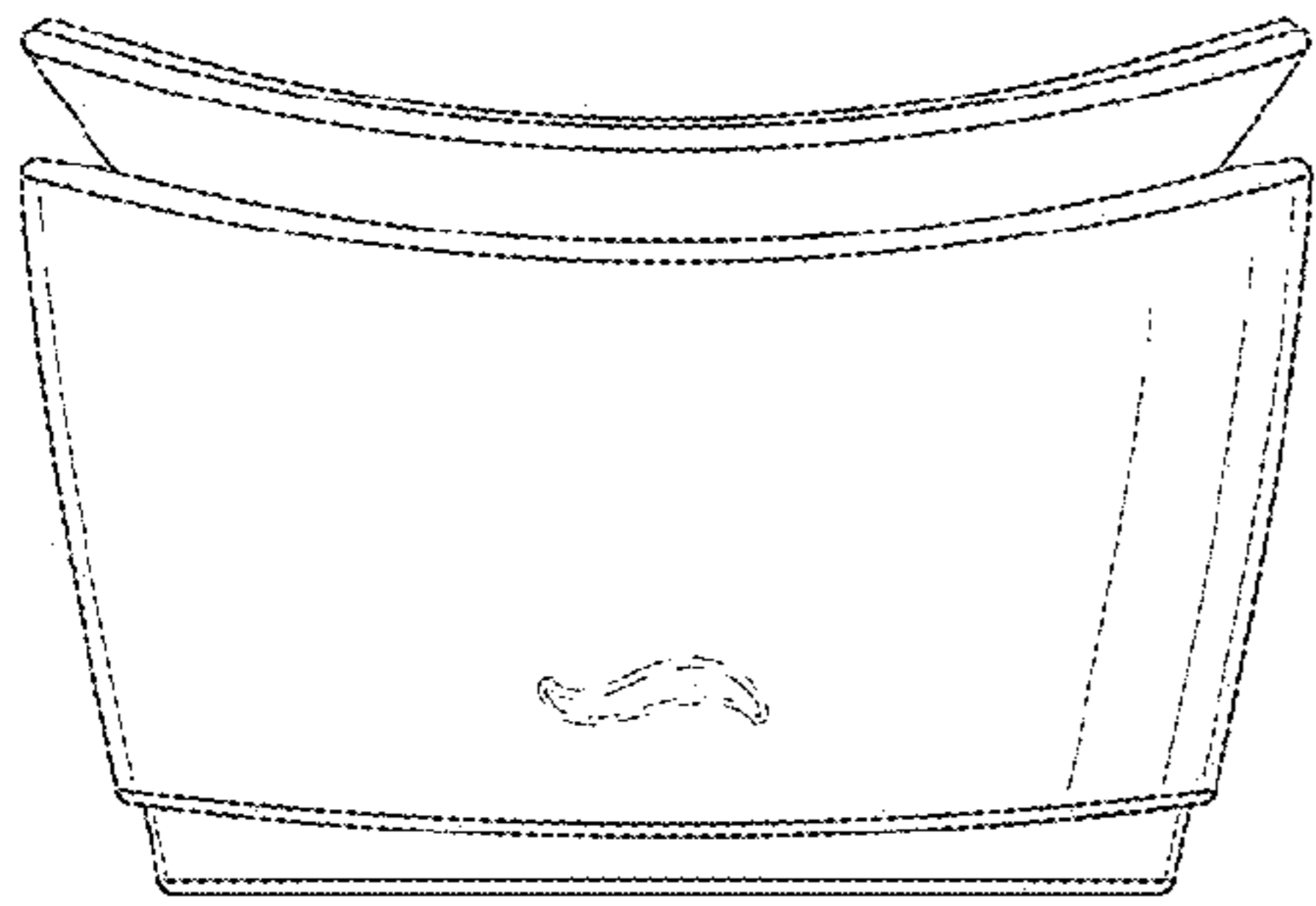


FIG. 2

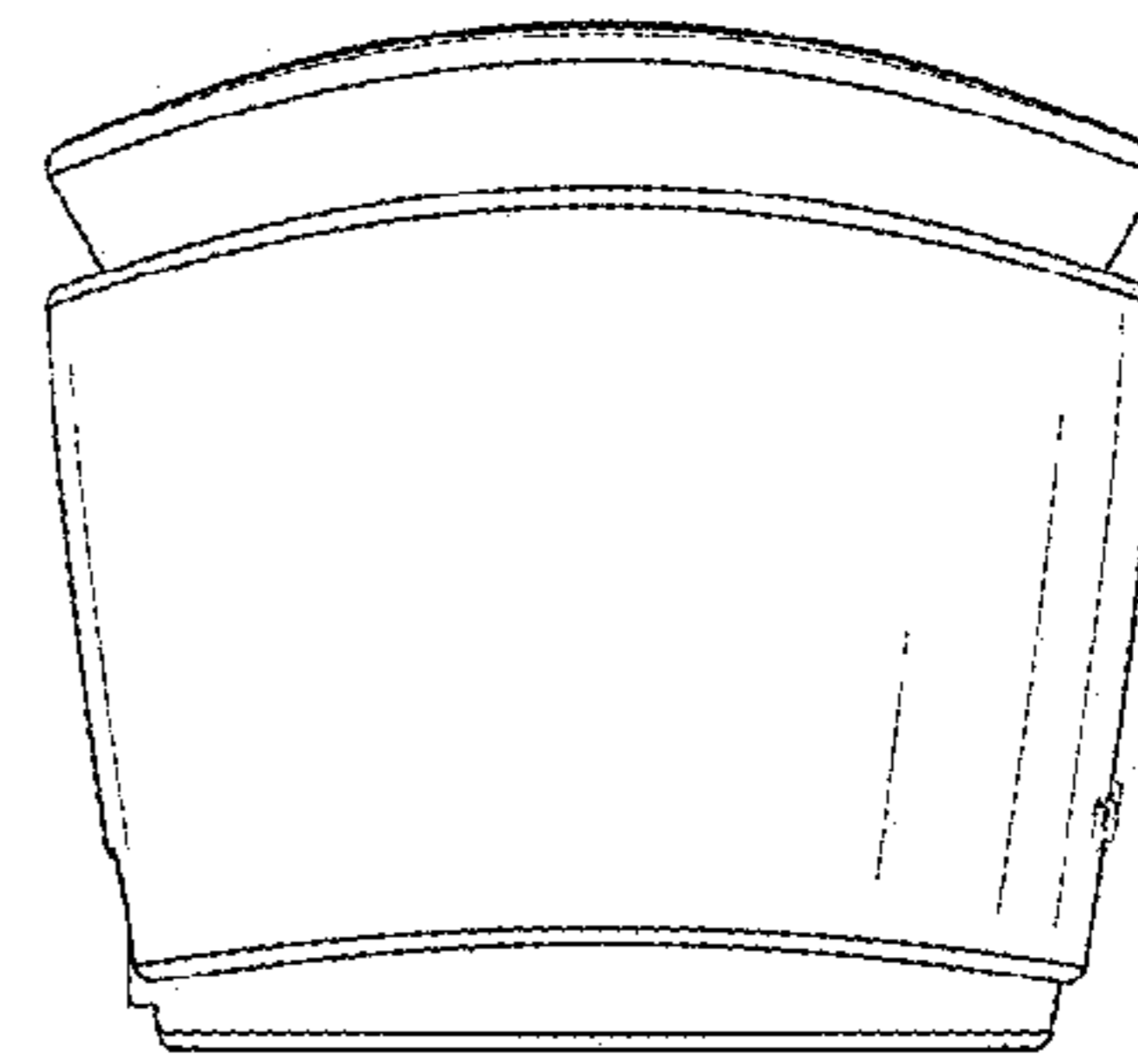


FIG. 3

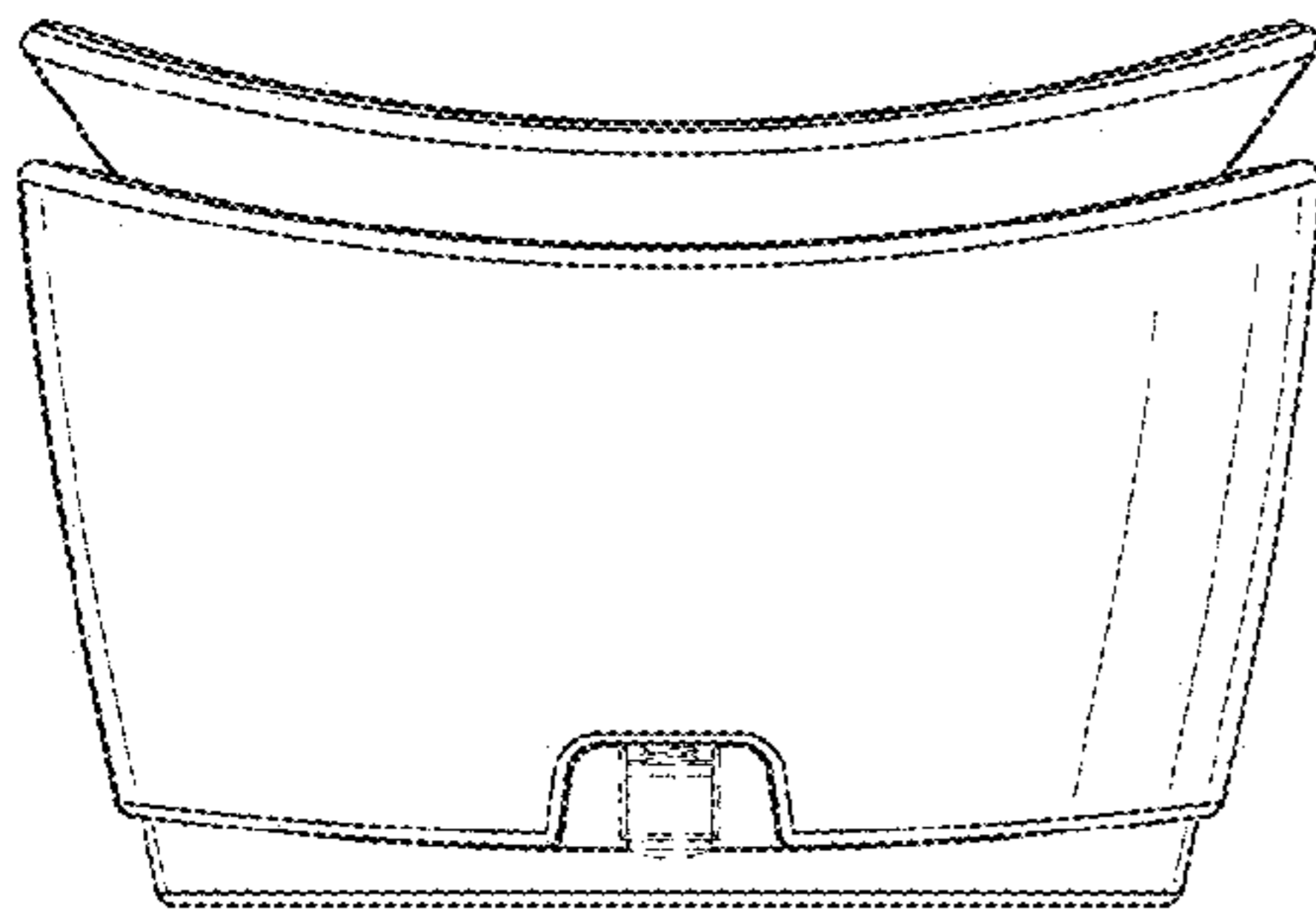


FIG. 4

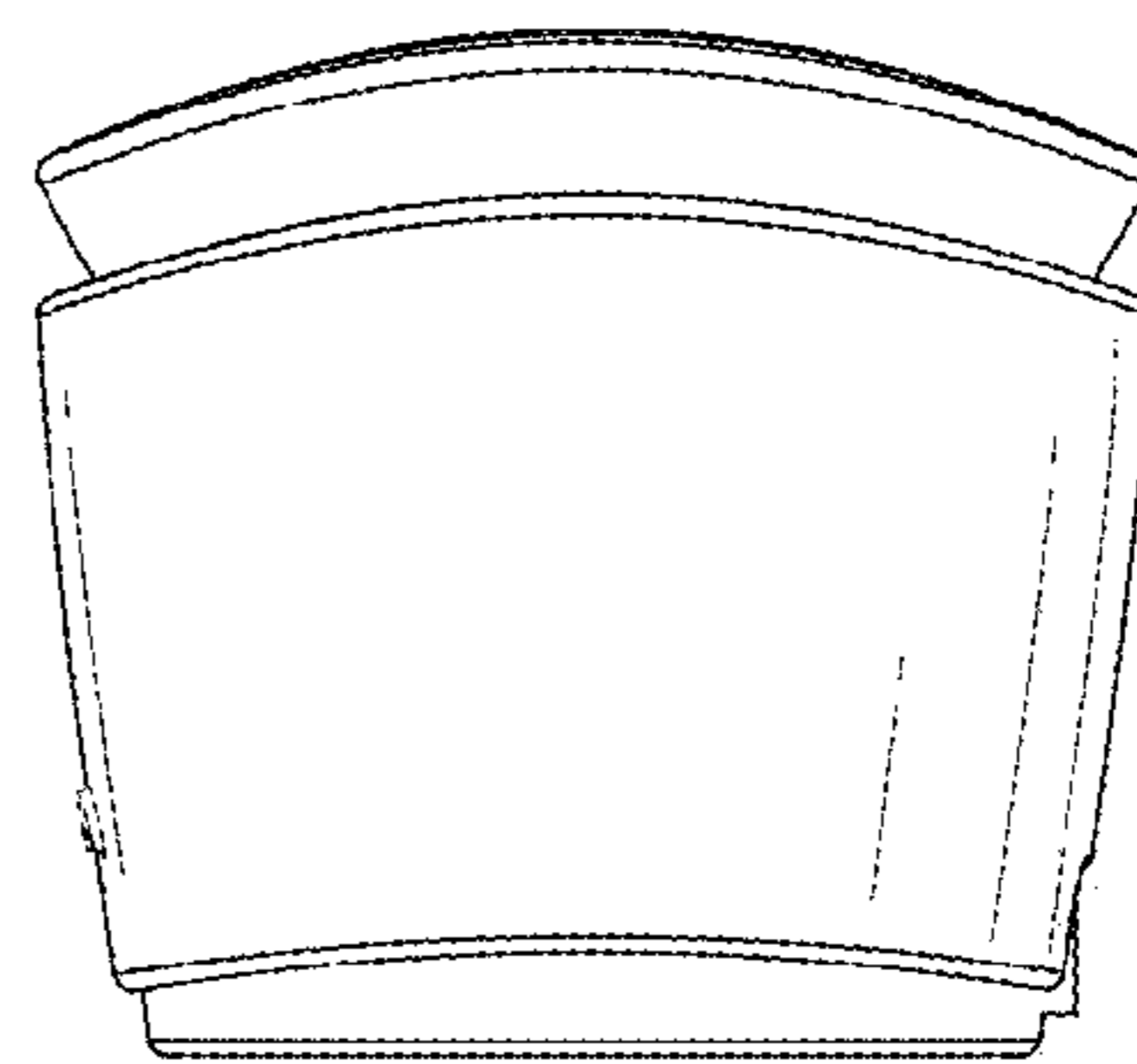


FIG. 5

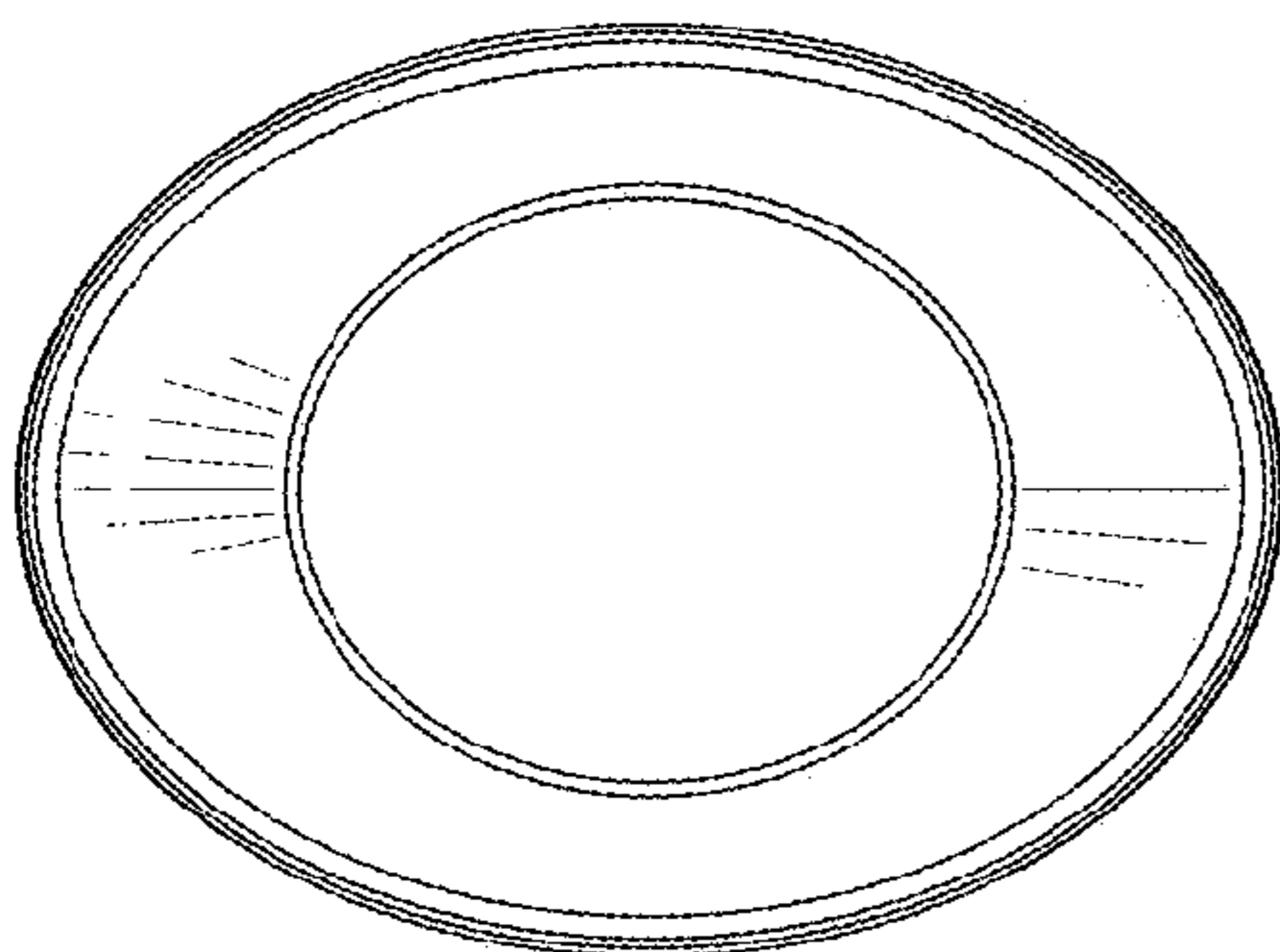


FIG. 6

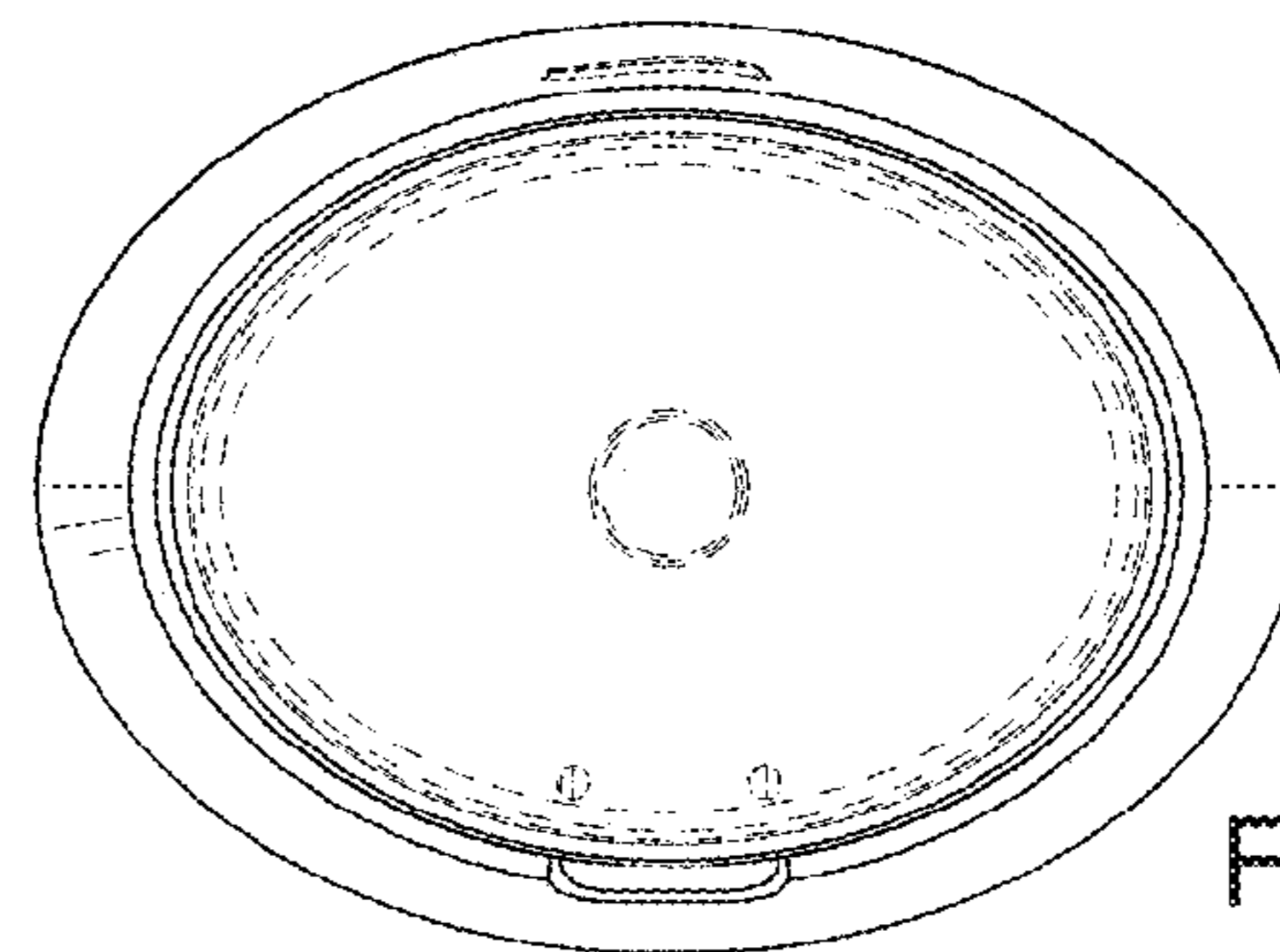


FIG. 7