



US00D891645S

(12) **United States Design Patent**  
**Chi**

(10) **Patent No.:** **US D891,645 S**

(45) **Date of Patent:** **\*\* Jul. 28, 2020**

(54) **ADJUSTABLE JOINT ASSEMBLY USED FOR FENCES**

D783,390 S \* 4/2017 Nelson ..... D8/349  
D815,300 S \* 4/2018 Lin ..... F16B 7/042

(71) Applicant: **Yolon Industrial Inc.**, Taoyuan (TW)

2010/0083437 A1\* 4/2010 Hui ..... E04H 4/14  
4/506

(72) Inventor: **Chien Wen Chi**, Taoyuan (TW)

(73) Assignee: **Yolon Industrial Inc.**, Taoyuan (TW)

(\*\*) Term: **15 Years**

FOREIGN PATENT DOCUMENTS

(21) Appl. No.: **29/668,318**

EM 001377154-0001 \* 5/2014

(22) Filed: **Oct. 29, 2018**

\* cited by examiner

(51) **LOC (12) Cl.** ..... **08-08**

*Primary Examiner* — Leanne Was-Englehart

(52) **U.S. Cl.**

USPC ..... **D25/133**; D8/382

(58) **Field of Classification Search**

USPC ..... D8/323, 349, 353, 366, 374, 382;  
D25/38.1, 61, 133, 134, 199  
CPC . F21V 21/088; F16B 7/00; F16B 7/14; A47B  
47/0008

See application file for complete search history.

(56) **References Cited**

U.S. PATENT DOCUMENTS

D375,451 S \* 11/1996 Ohkubo ..... D8/323  
D413,058 S \* 8/1999 Murakami ..... D8/382  
D564,868 S \* 3/2008 Terada ..... D8/382  
D602,771 S \* 10/2009 VanElverdinghe ..... D8/382  
D633,374 S \* 3/2011 Diener ..... D8/382  
D654,353 S \* 2/2012 Tabler ..... D8/382  
D658,045 S \* 4/2012 Tabler ..... D8/382  
D731,880 S \* 6/2015 Thrush ..... D8/382

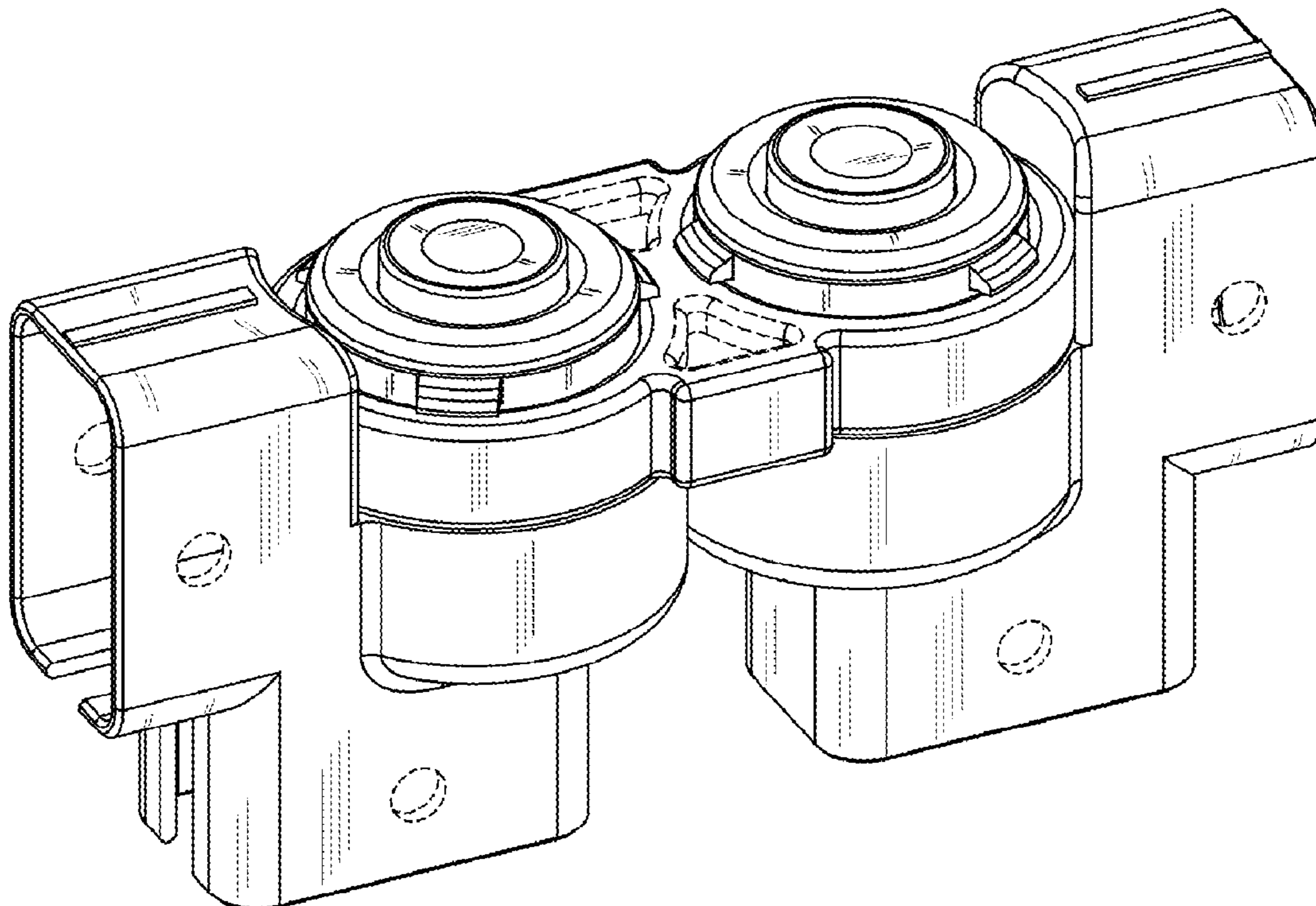
(57) **CLAIM**

The ornamental design for an adjustable joint assembly used for fences, as shown and described.

**DESCRIPTION**

FIG. 1 is a top perspective view of an adjustable joint assembly used for fences showing my new design;  
FIG. 2 is a bottom perspective view thereof;  
FIG. 3 is a front elevational view thereof;  
FIG. 4 is a rear elevational view thereof;  
FIG. 5 is a left side view thereof;  
FIG. 6 is a right side view thereof;  
FIG. 7 is a top plan view thereof;  
FIG. 8 is a bottom plan view thereof;  
FIG. 9 is a first exploded view thereof; and,  
FIG. 10 is a second exploded view thereof.  
The broken lines in the drawings illustrate portions of the adjustable joint assembly used for fences which form no part of the claimed design.

**1 Claim, 10 Drawing Sheets**



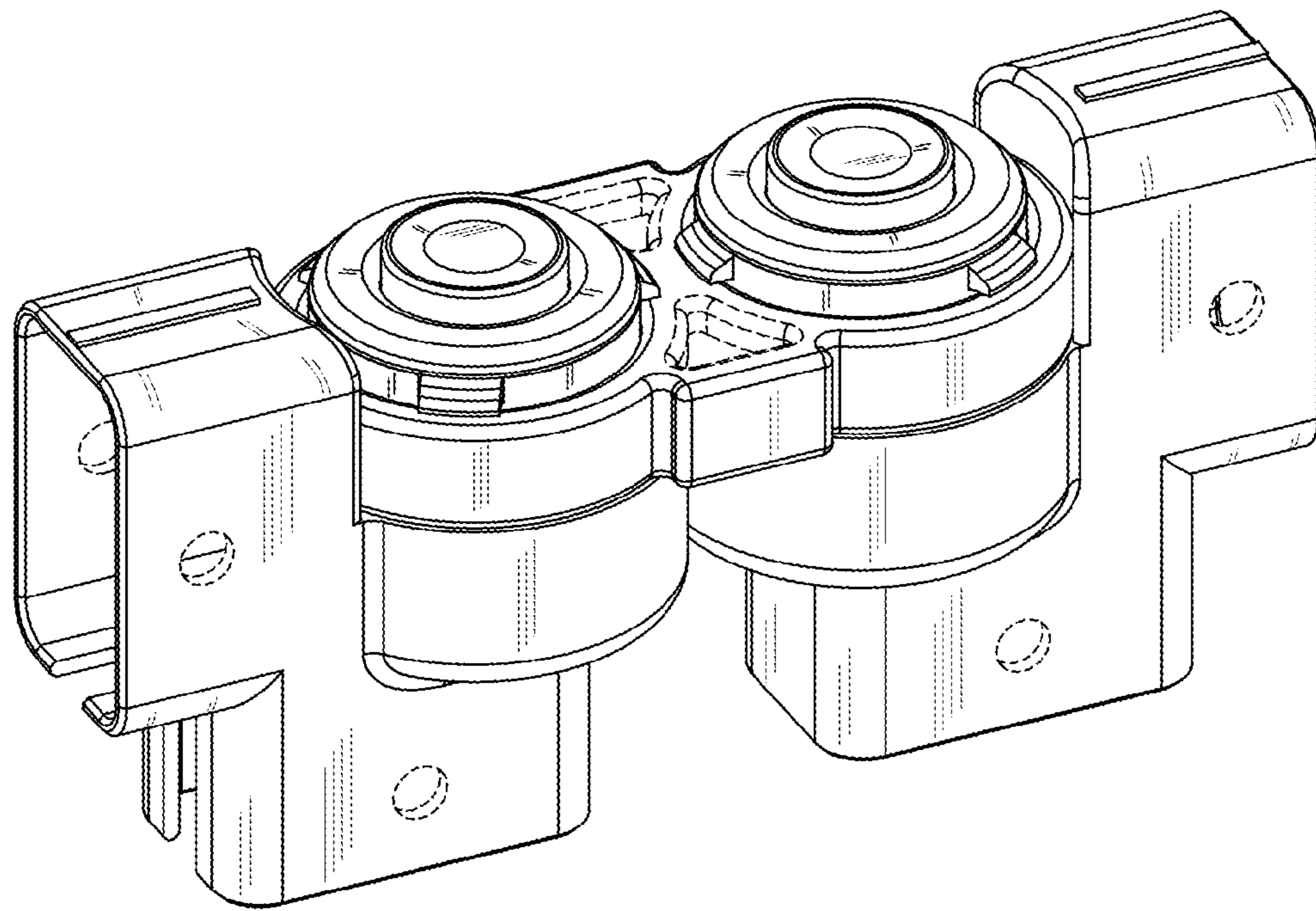


FIG. 1

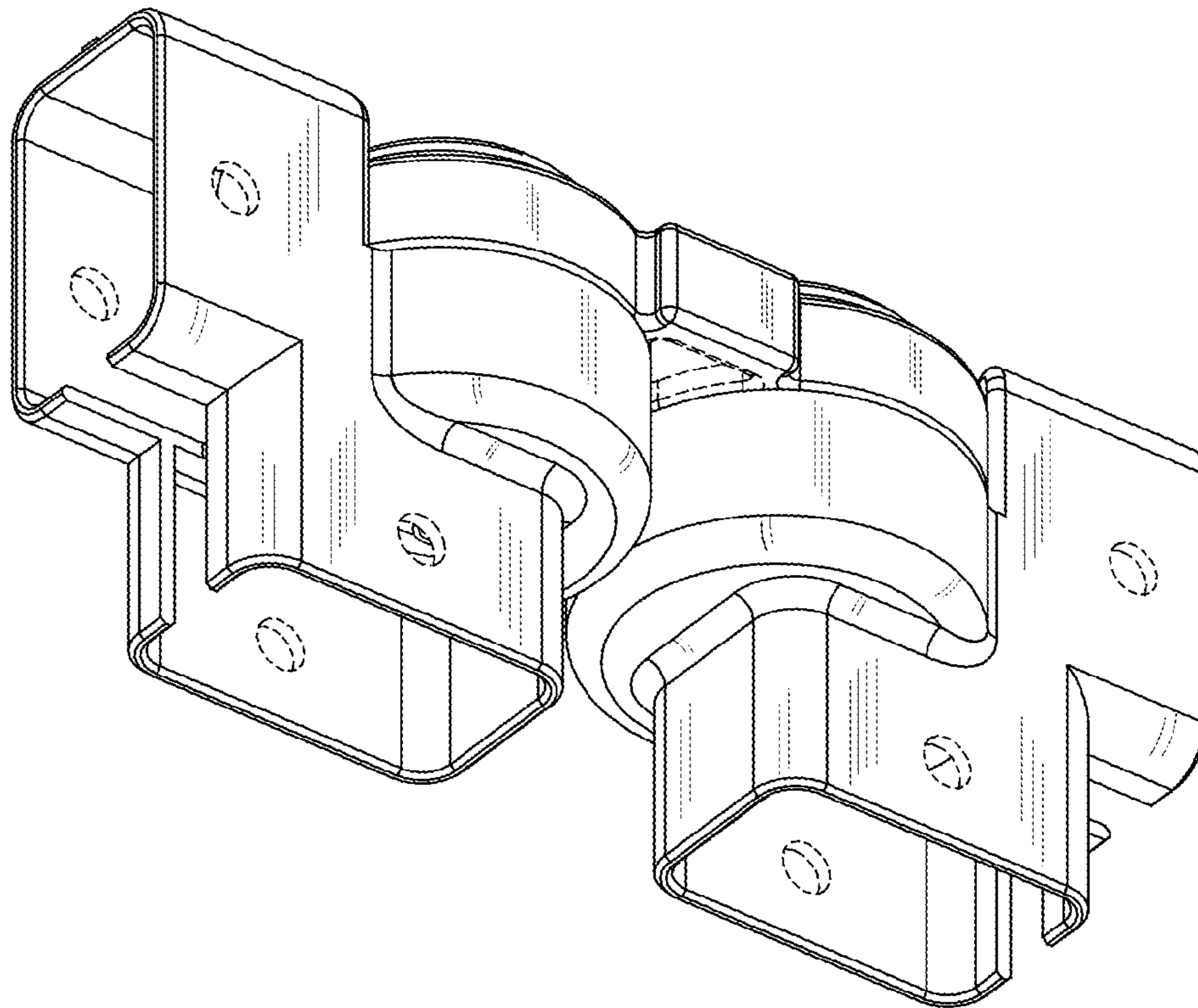


FIG. 2

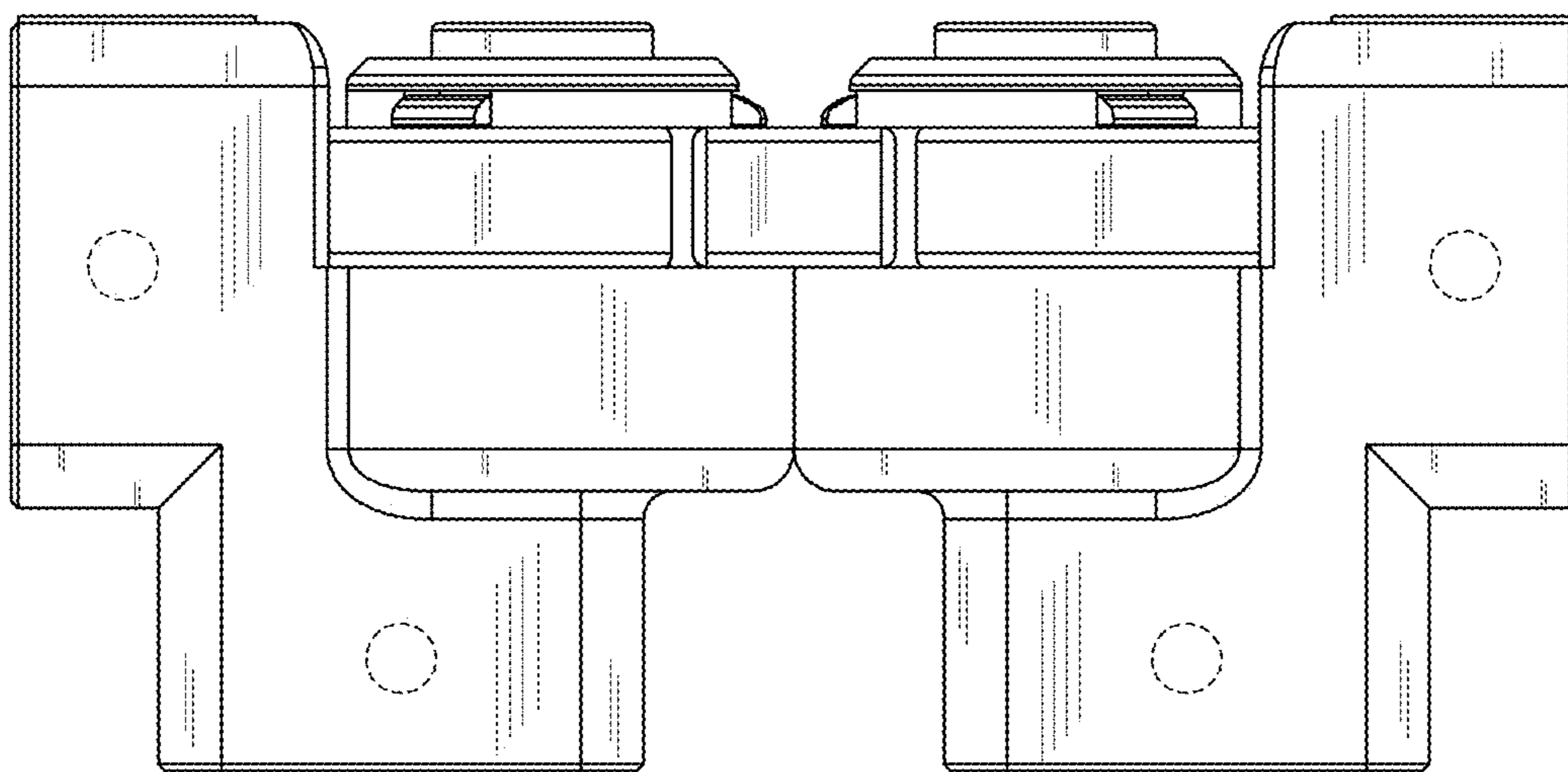


FIG. 3

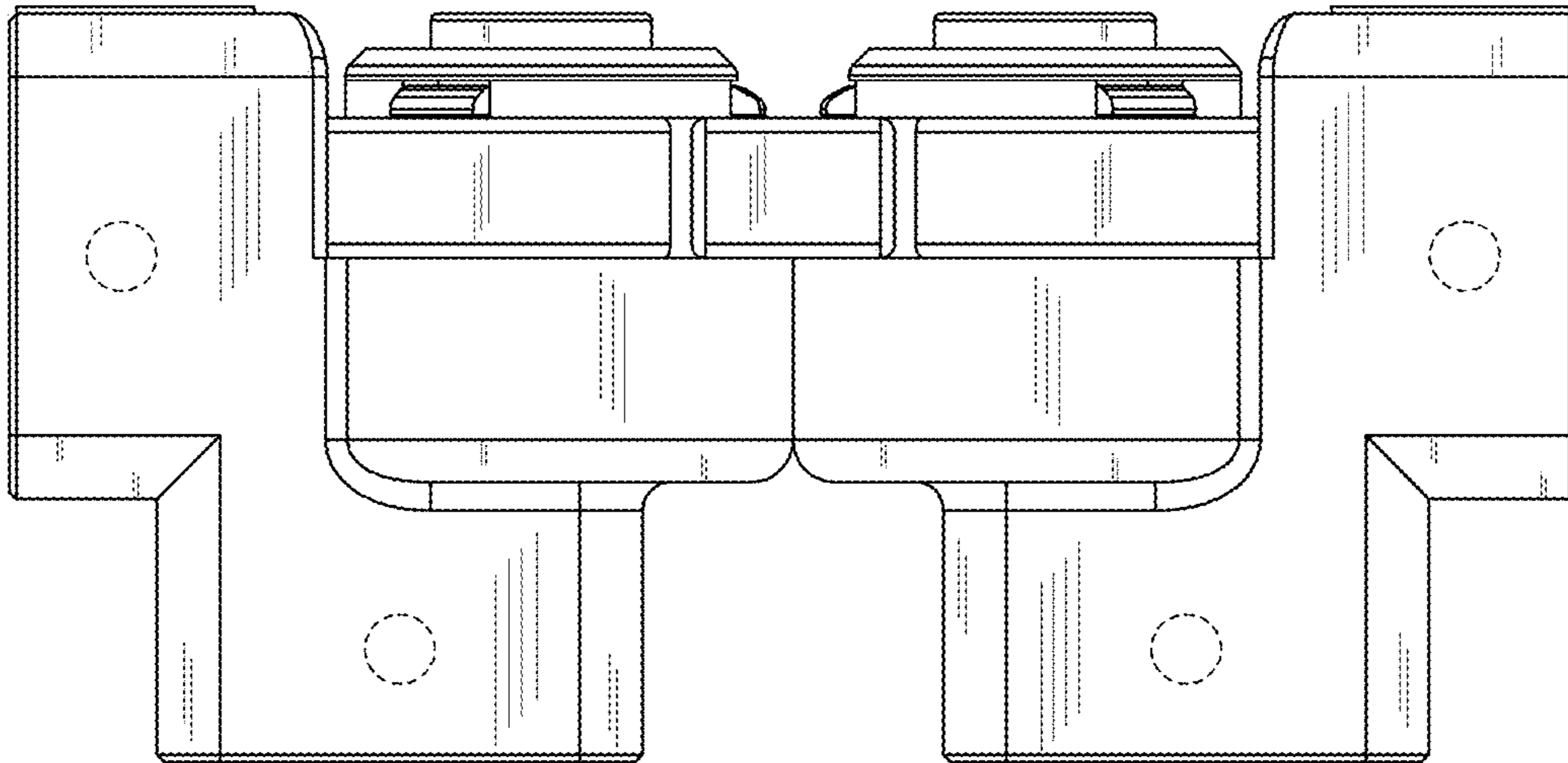


FIG. 4

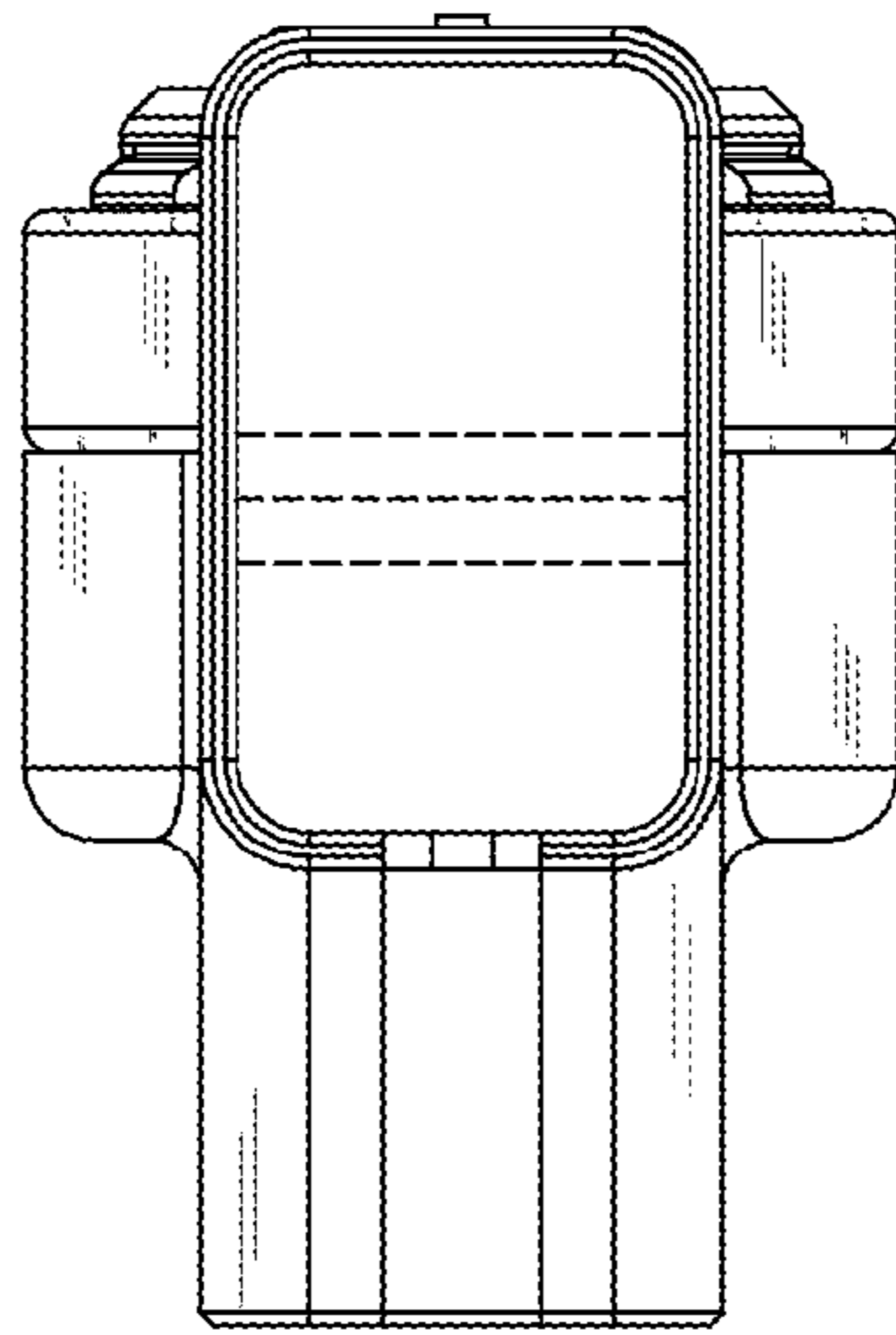


FIG. 5

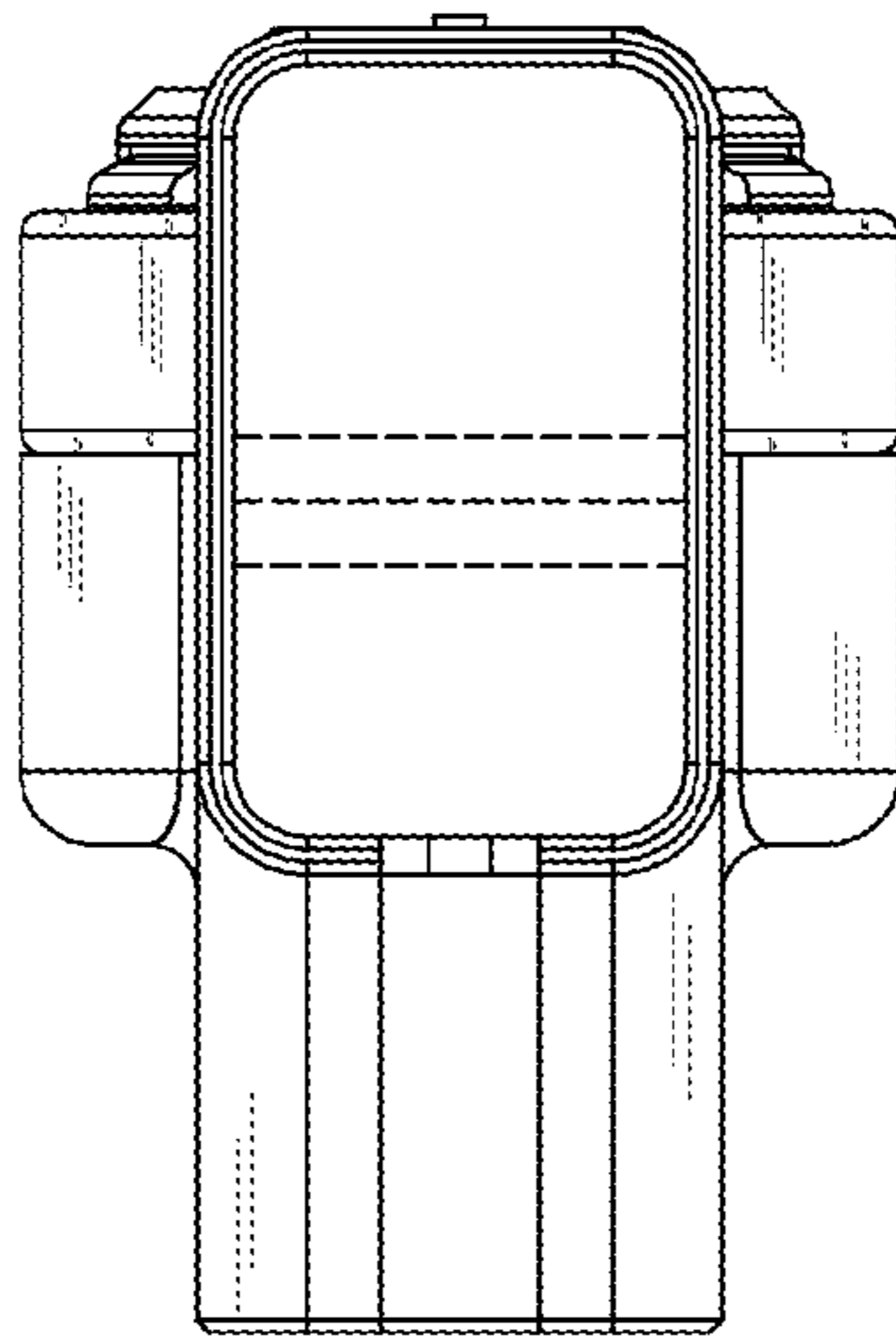


FIG. 6

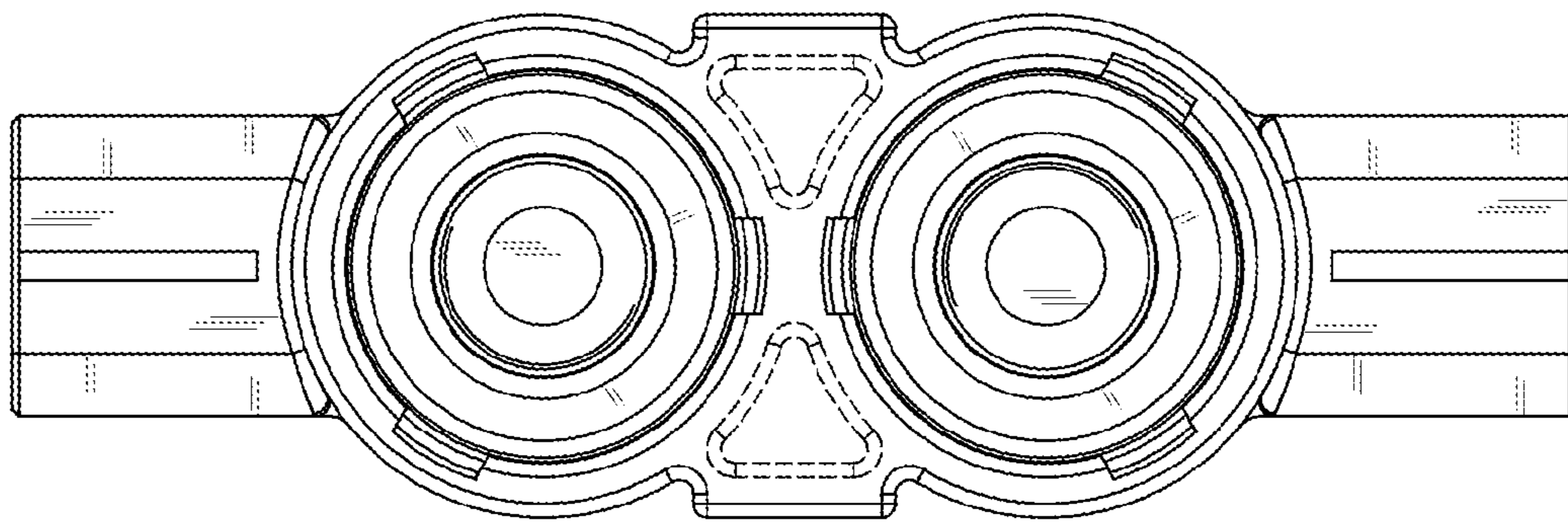


FIG. 7



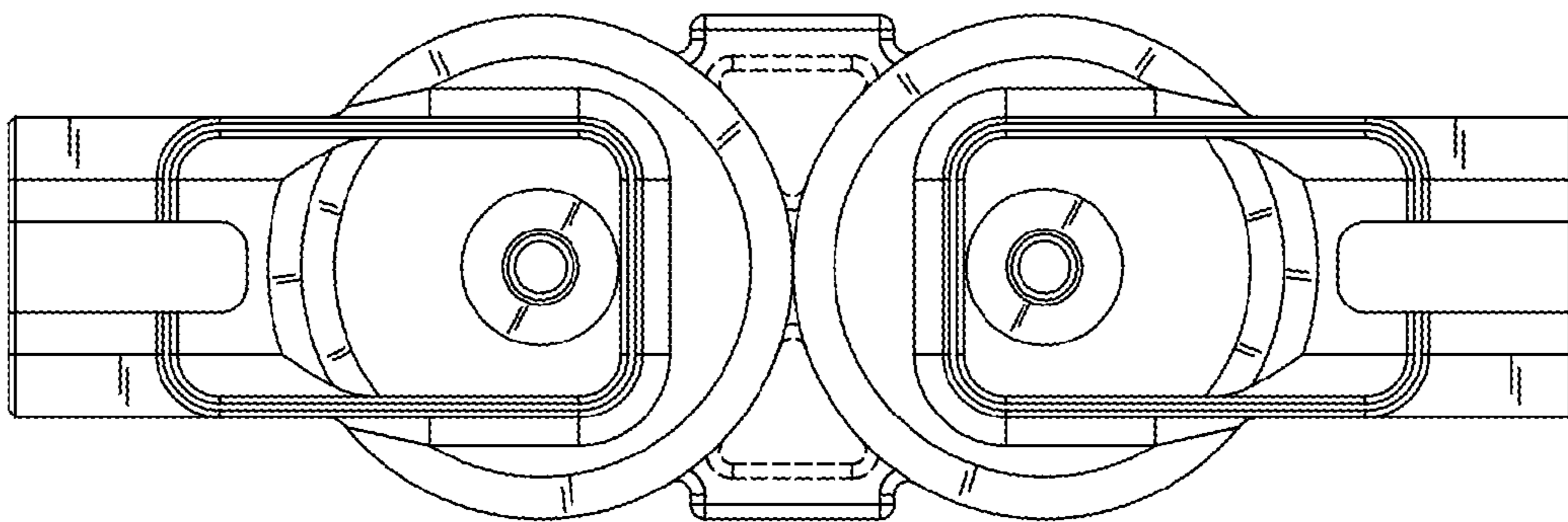


FIG. 8

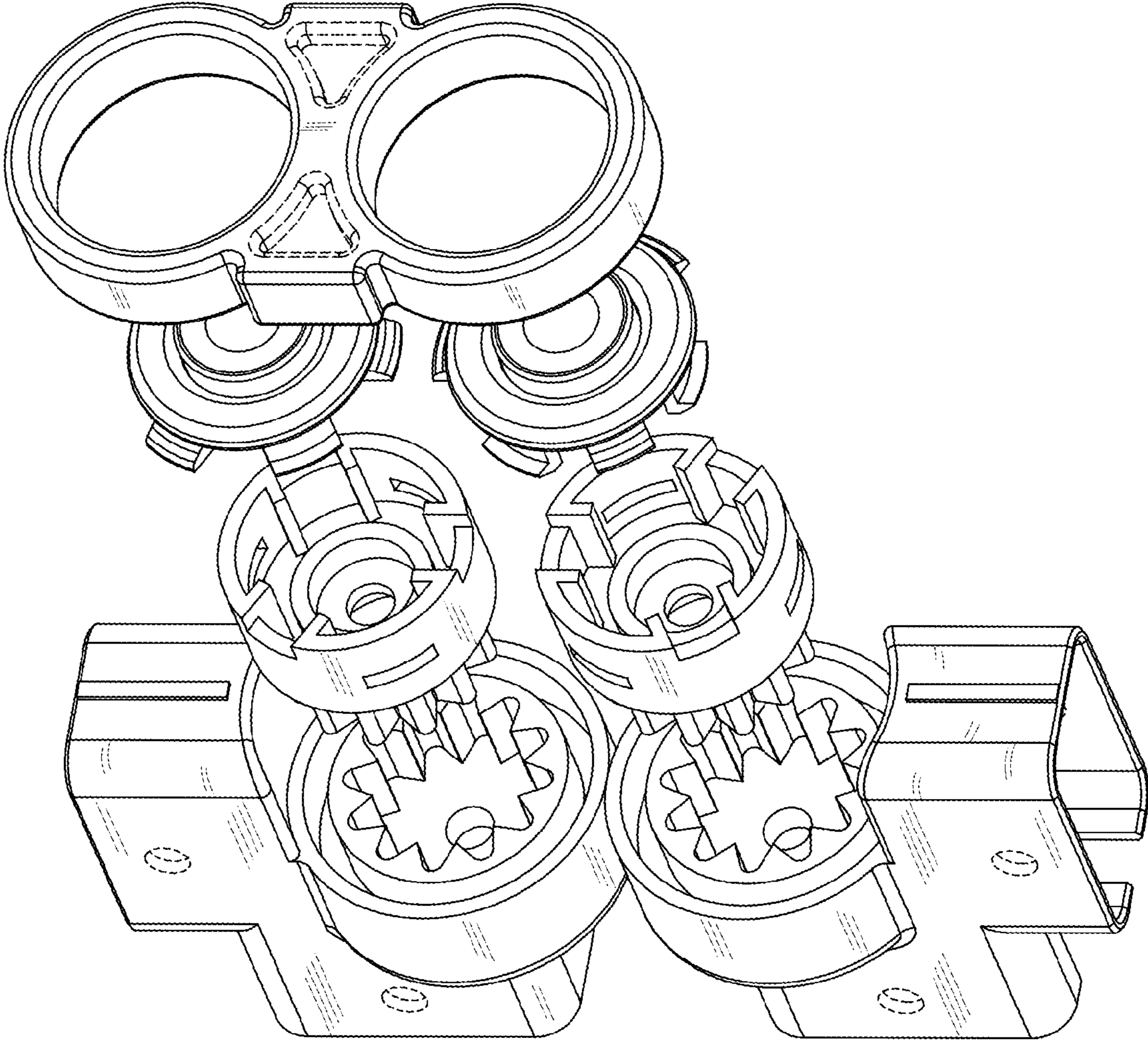


FIG. 9

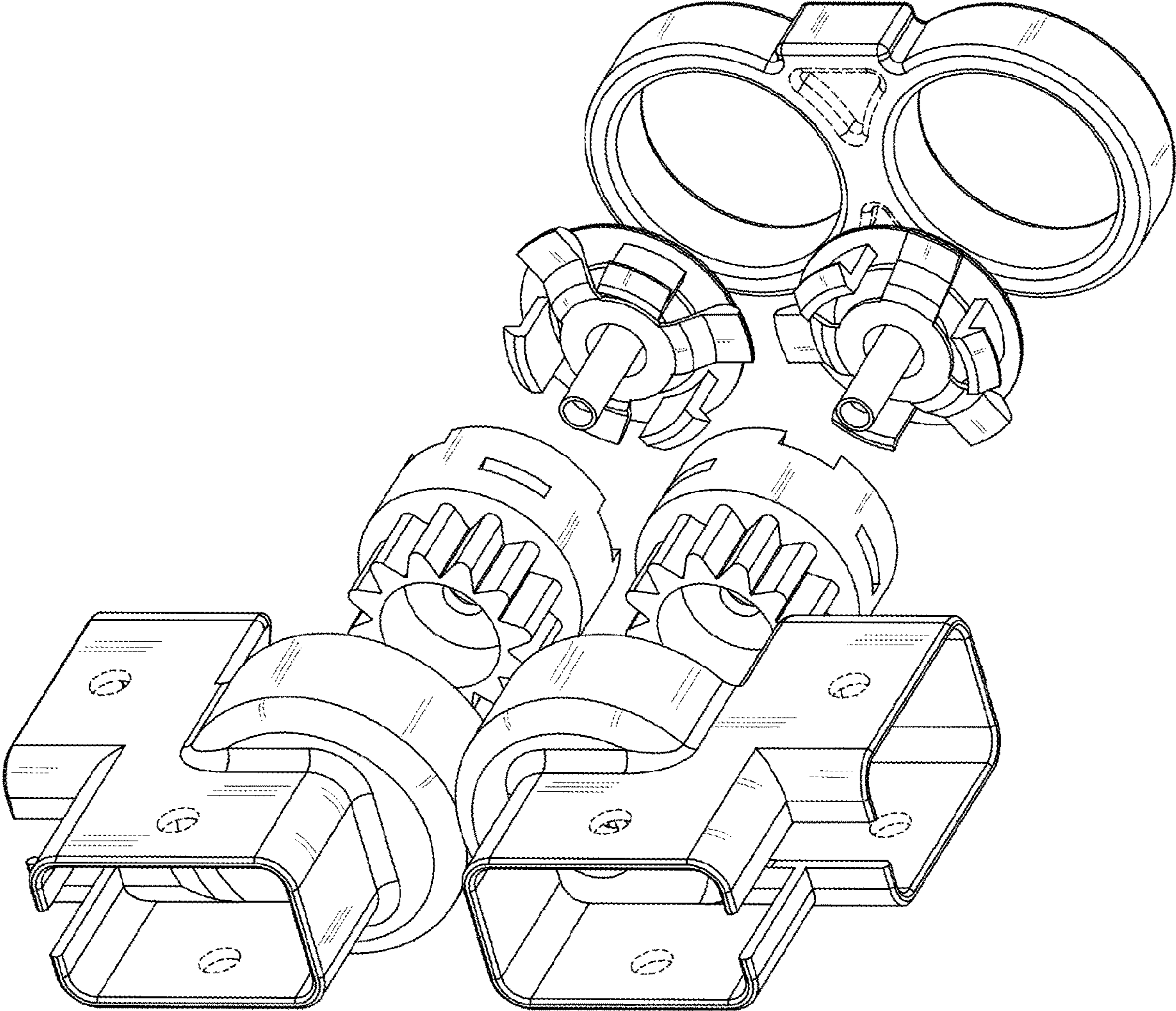


FIG. 10