



US00D891644S

(12) **United States Design Patent**  
**Chi**

(10) **Patent No.:** **US D891,644 S**

(45) **Date of Patent:** **\*\* Jul. 28, 2020**

(54) **ADJUSTABLE JOINT ASSEMBLY USED FOR FENCES**

(71) Applicant: **Yolon Industrial Inc.**, Taoyuan (TW)

(72) Inventor: **Chien Wen Chi**, Taoyuan (TW)

(73) Assignee: **Yolon Industrial Inc.**, Taoyuan (TW)

(\*\*) Term: **15 Years**

(21) Appl. No.: **29/668,316**

(22) Filed: **Oct. 29, 2018**

(51) **LOC (12) Cl.** ..... **08-08**

(52) **U.S. Cl.**  
USPC ..... **D25/133; D8/382**

(58) **Field of Classification Search**  
USPC ..... D8/323, 349, 353, 366, 374, 382;  
D25/38.1, 61, 133, 134, 199  
CPC . F21V 21/088; F16B 7/00; F16B 7/14; A47B  
47/0008  
See application file for complete search history.

(56) **References Cited**

**U.S. PATENT DOCUMENTS**

D375,451 S	*	11/1996	Ohkubo	.....	D8/323
D413,058 S	*	8/1999	Murakami	.....	D8/382
D564,868 S	*	3/2008	Terada	.....	D8/382
D602,771 S	*	10/2009	VanElverdinghe	.....	D8/382
D633,374 S	*	3/2011	Diener	.....	D8/382
D654,353 S	*	2/2012	Tabler	.....	D8/382
D658,045 S	*	4/2012	Tabler	.....	D8/382
D731,880 S	*	6/2015	Thrush	.....	D8/382

D783,390 S	*	4/2017	Nelson	.....	D8/349
D815,300 S	*	4/2018	Lin	.....	F16B 7/042
					D25/38.1
2010/0083437	A1*	4/2010	Hui	.....	E04H 4/14
					4/506

**FOREIGN PATENT DOCUMENTS**

EM 001377154-0001 \* 5/2014

\* cited by examiner

*Primary Examiner* — Leanne Was-Englehart

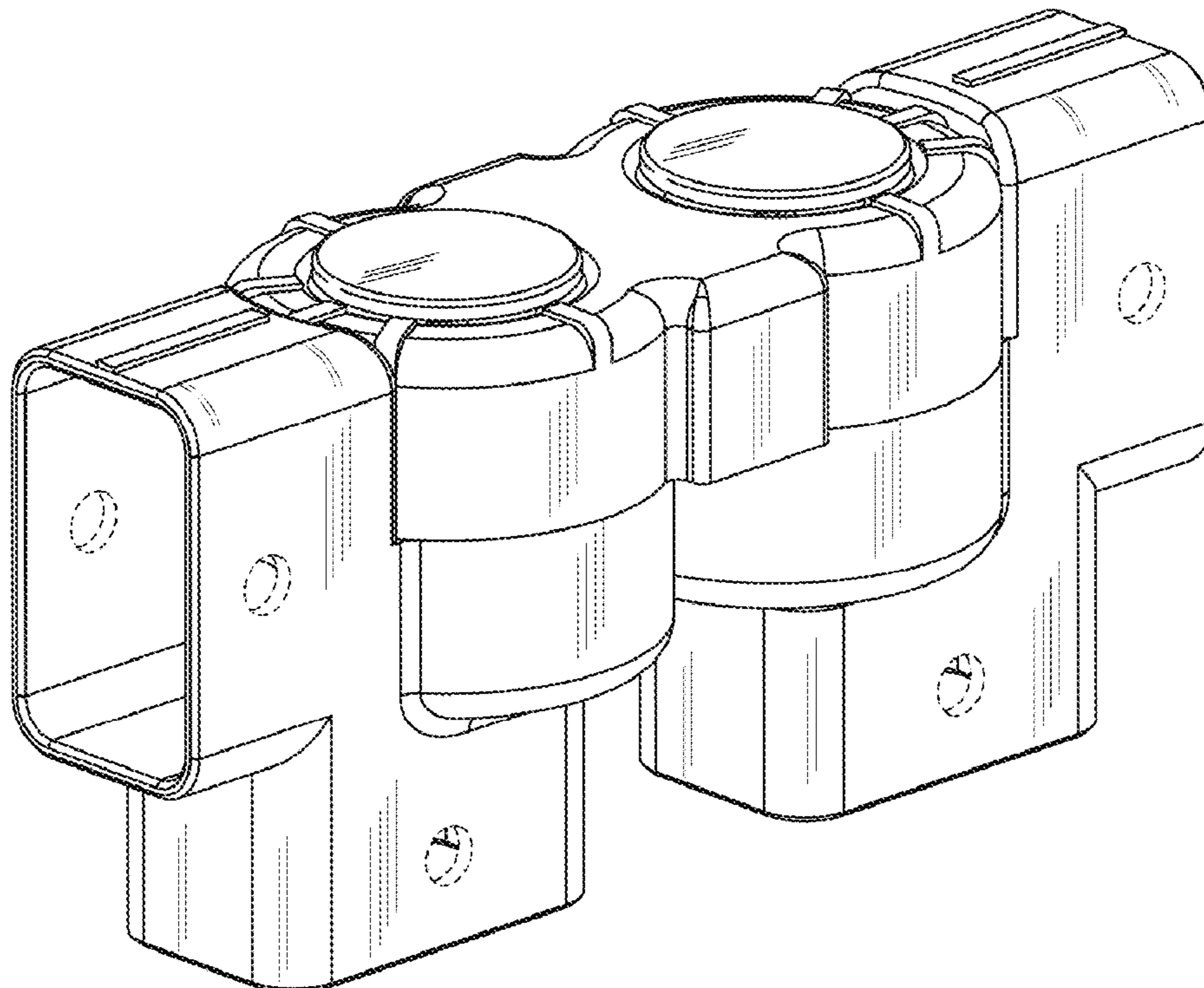
(57) **CLAIM**

The ornamental design for an adjustable joint assembly used for fences, as shown and described.

**DESCRIPTION**

FIG. 1 is a top perspective view of an adjustable joint assembly used for fences showing my new design; FIG. 2 is a bottom perspective view thereof; FIG. 3 is a front elevational view thereof; FIG. 4 is a rear elevational view thereof; FIG. 5 is a left side view thereof; FIG. 6 is a right side view thereof; FIG. 7 is a top plan view thereof; FIG. 8 is a bottom plan view thereof; FIG. 9 is a first exploded view thereof; and, FIG. 10 is a second exploded view thereof. The broken lines in the drawings illustrate portions of the adjustable joint assembly used for fences which form no part of the claimed design.

**1 Claim, 10 Drawing Sheets**



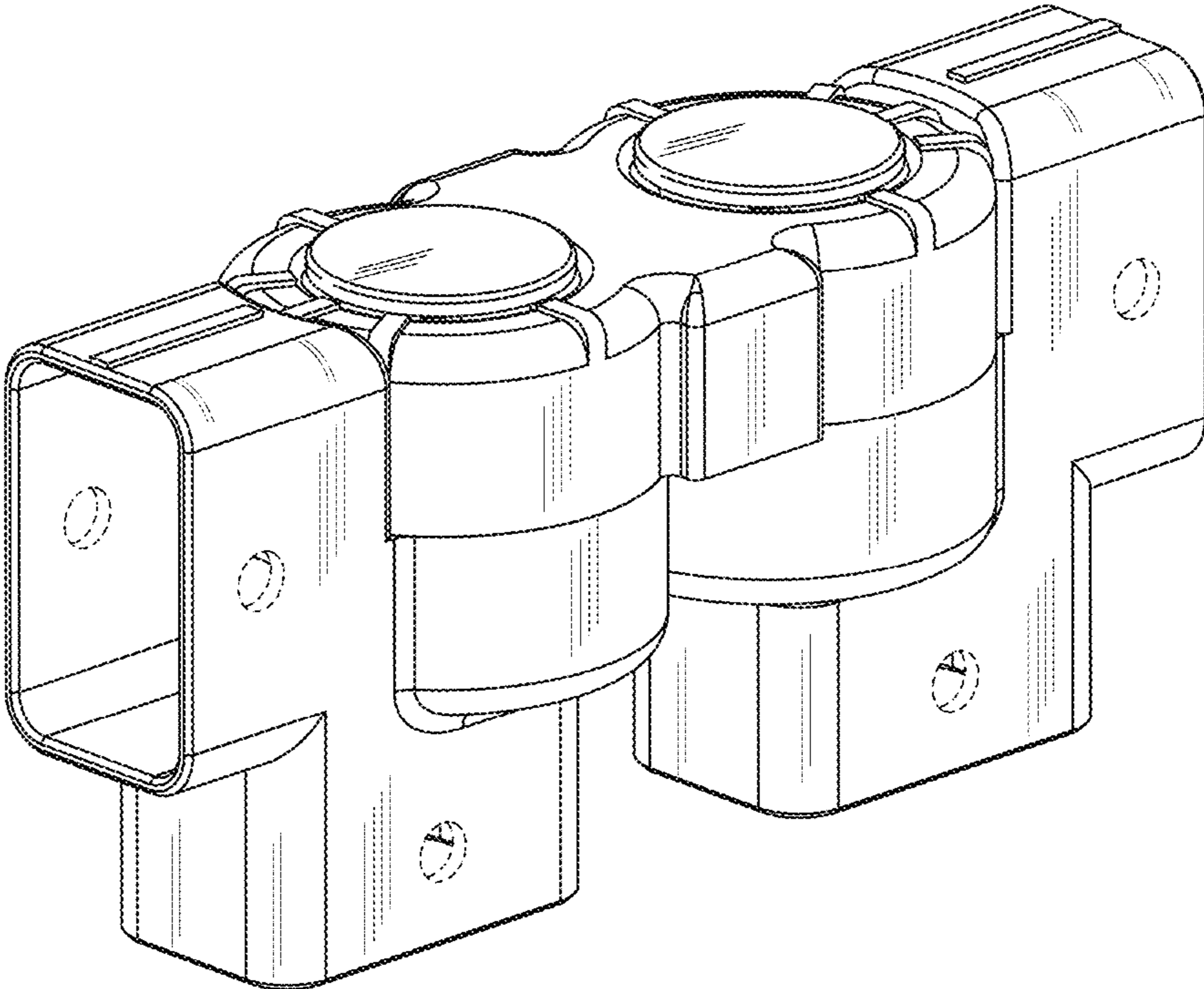


FIG. 1

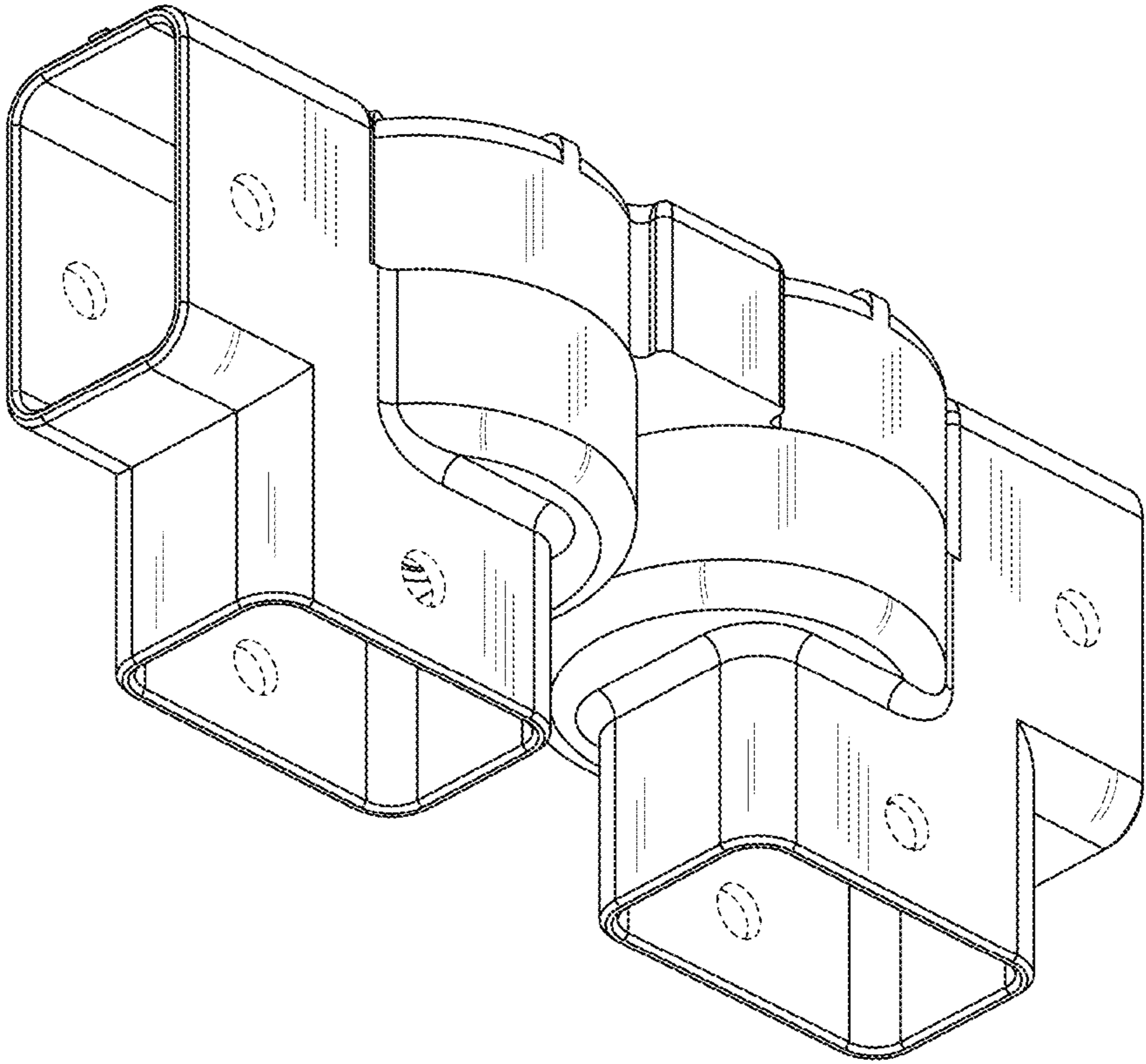


FIG. 2

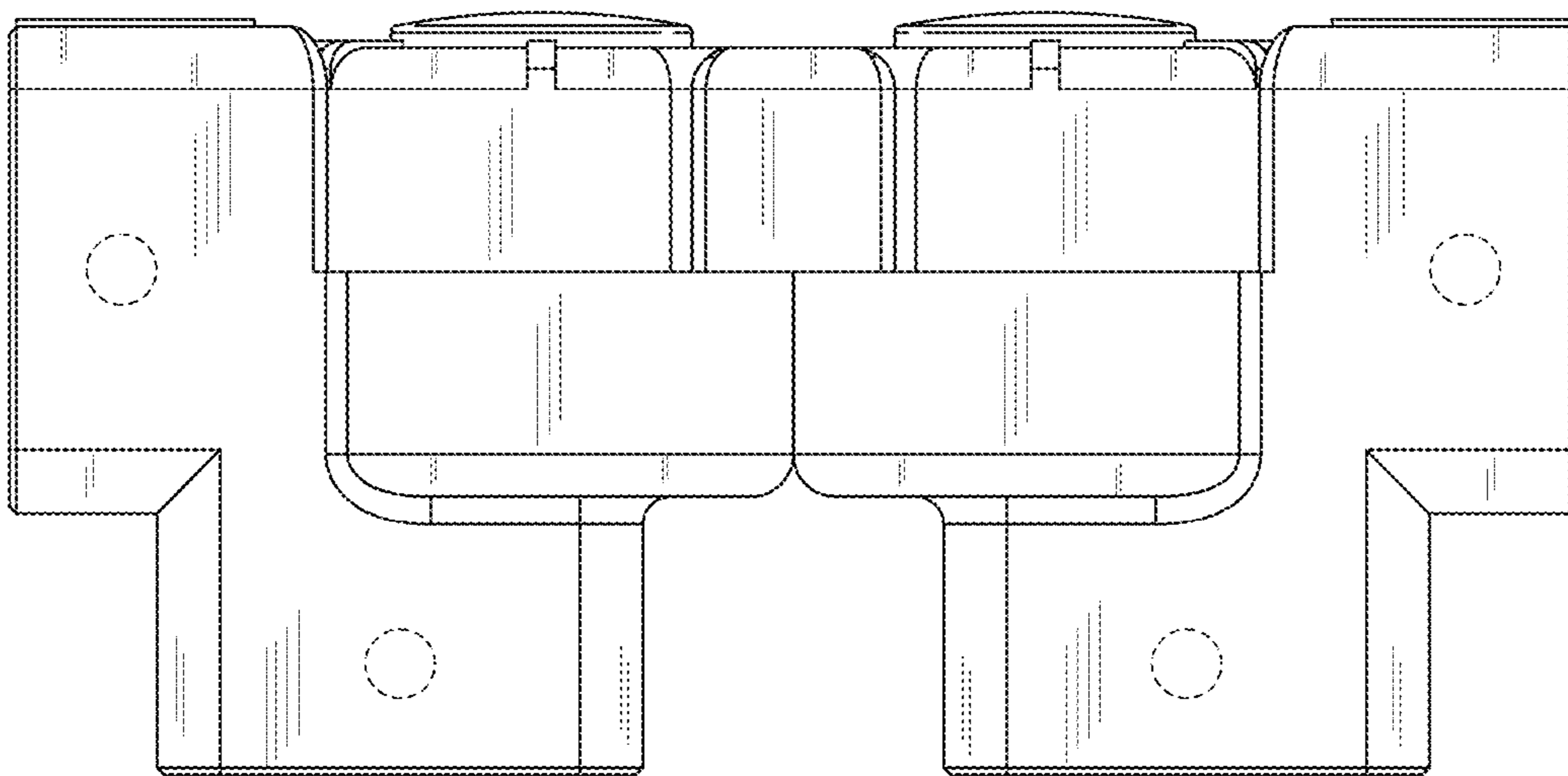


FIG. 3

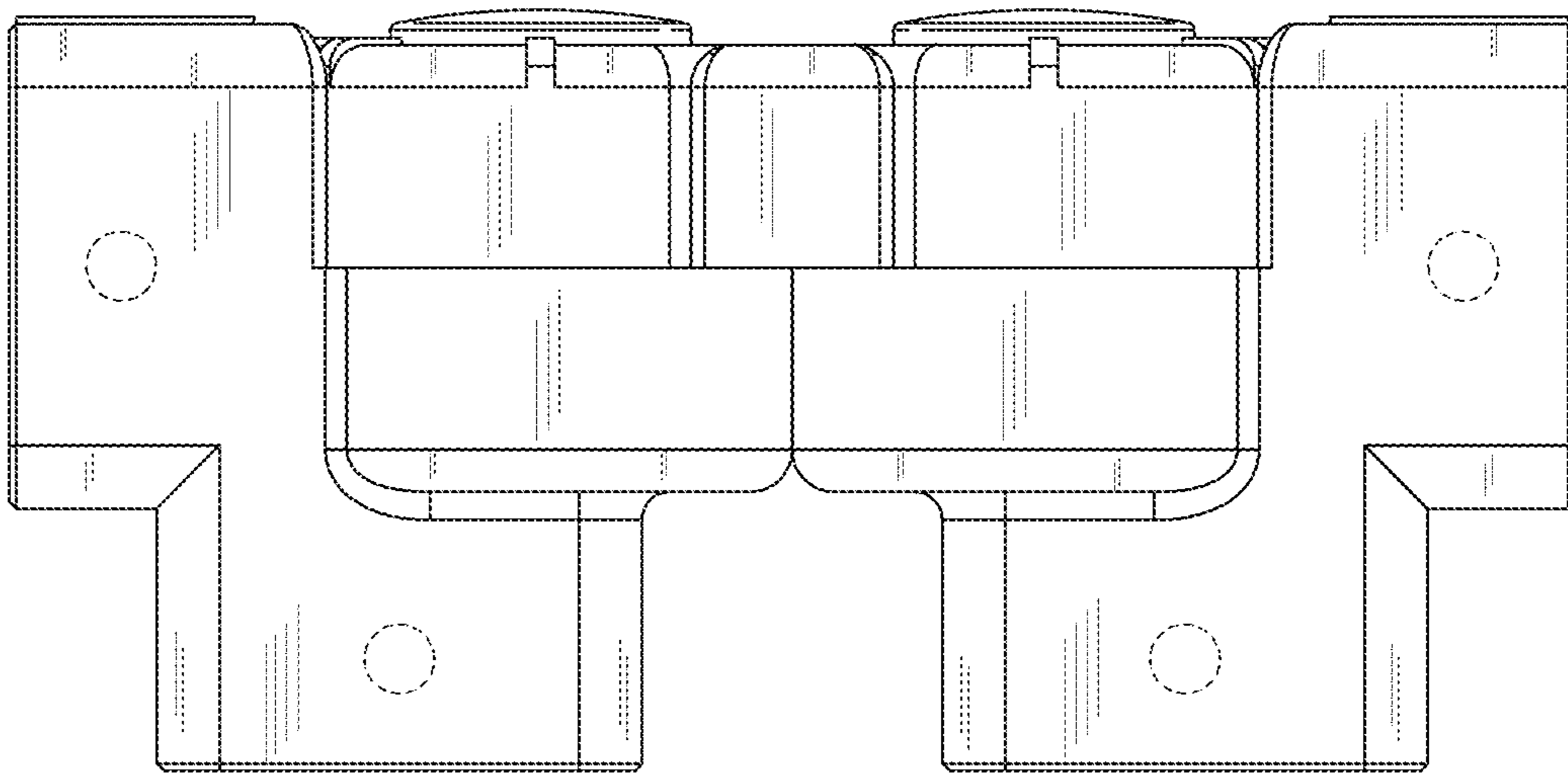


FIG. 4



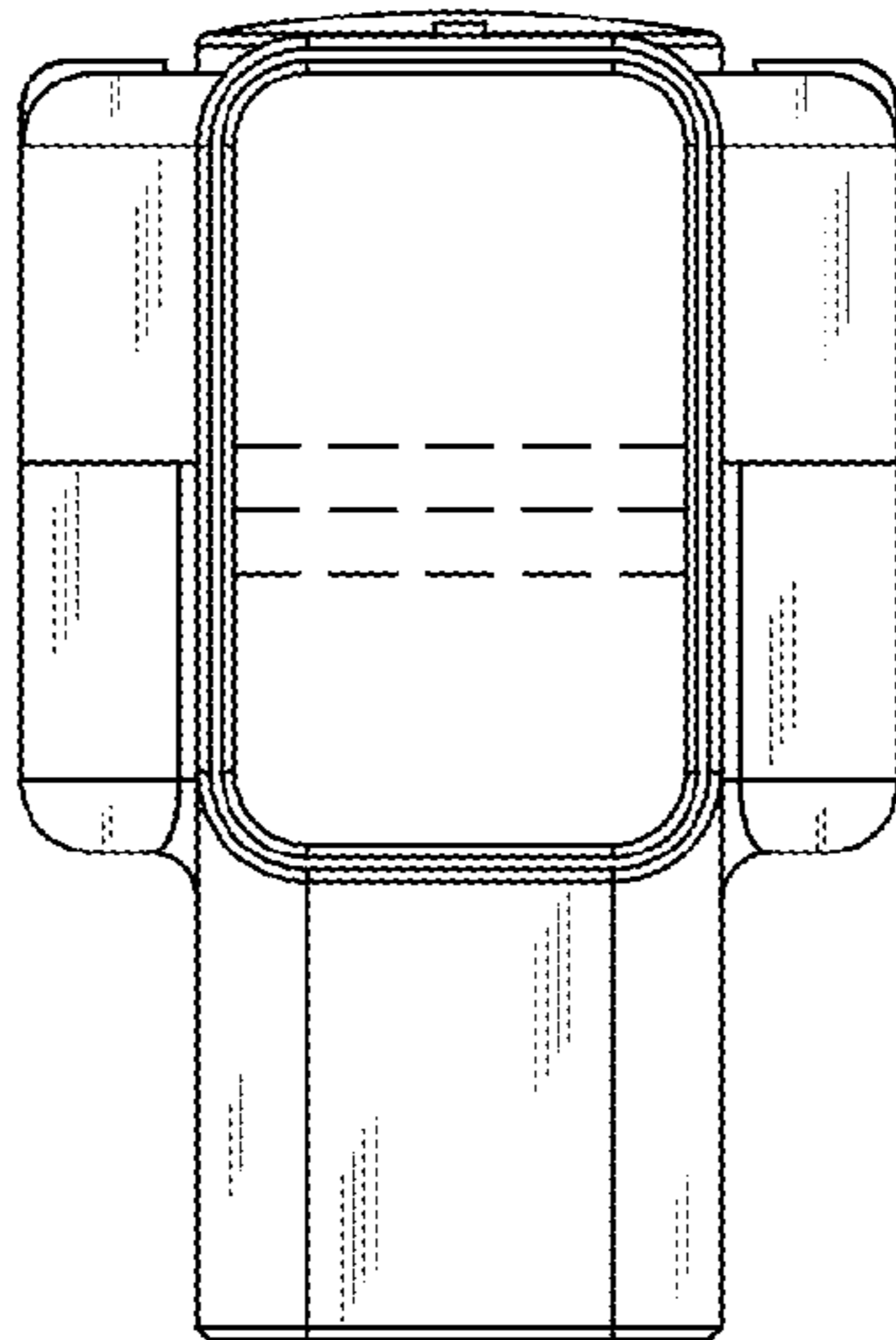


FIG. 5

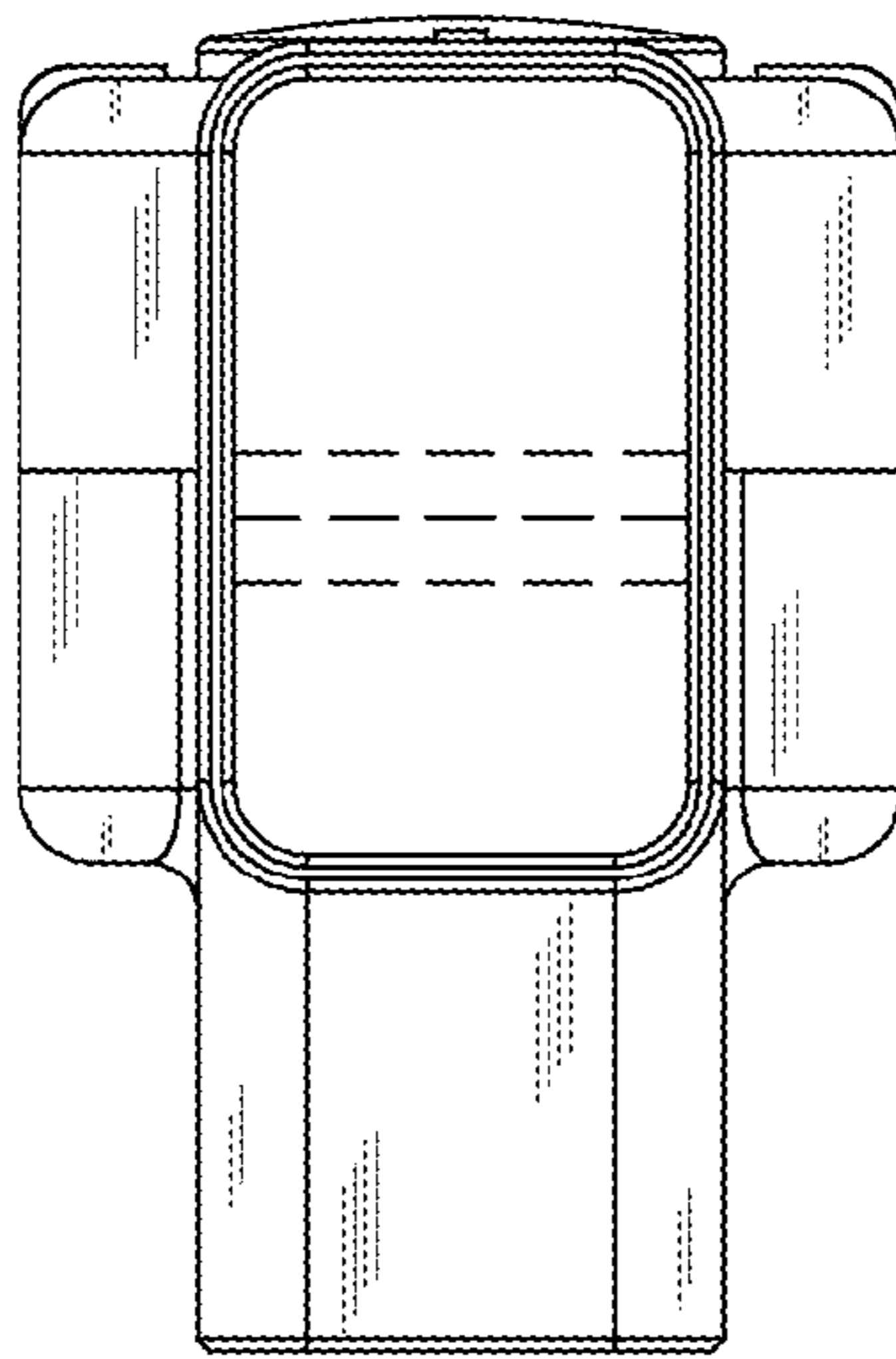


FIG. 6

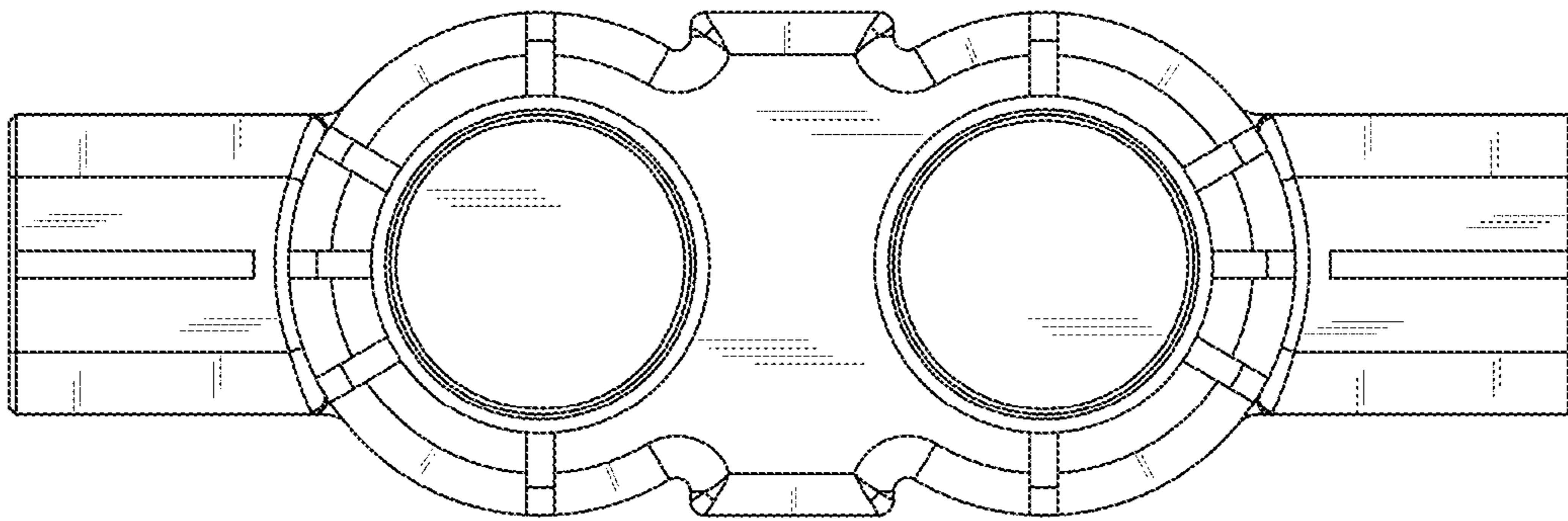


FIG. 7



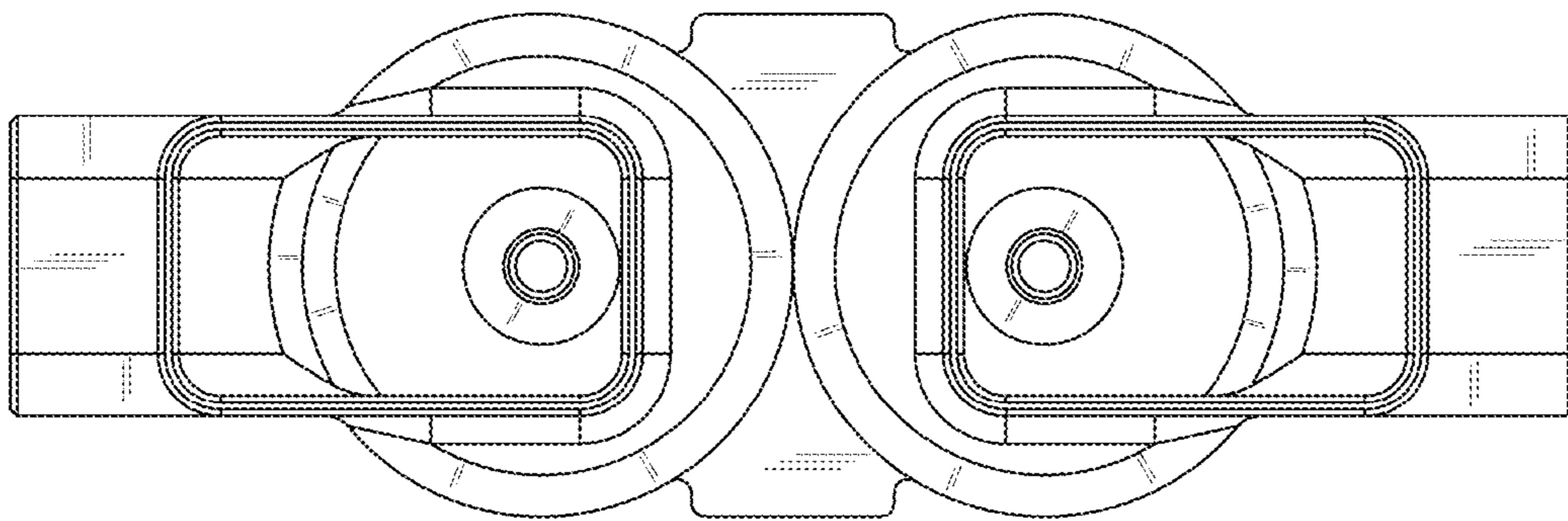


FIG. 8

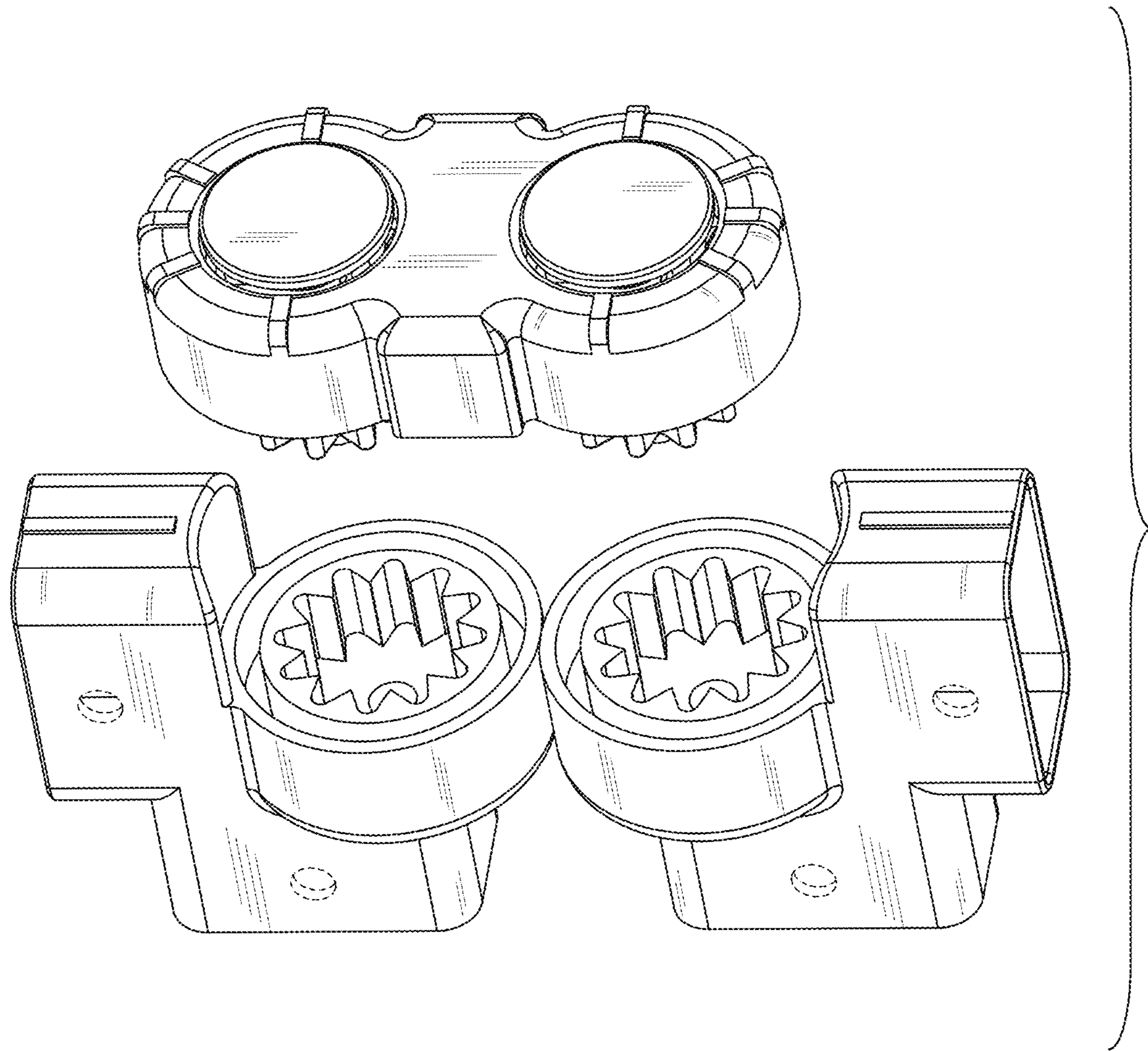


FIG. 9

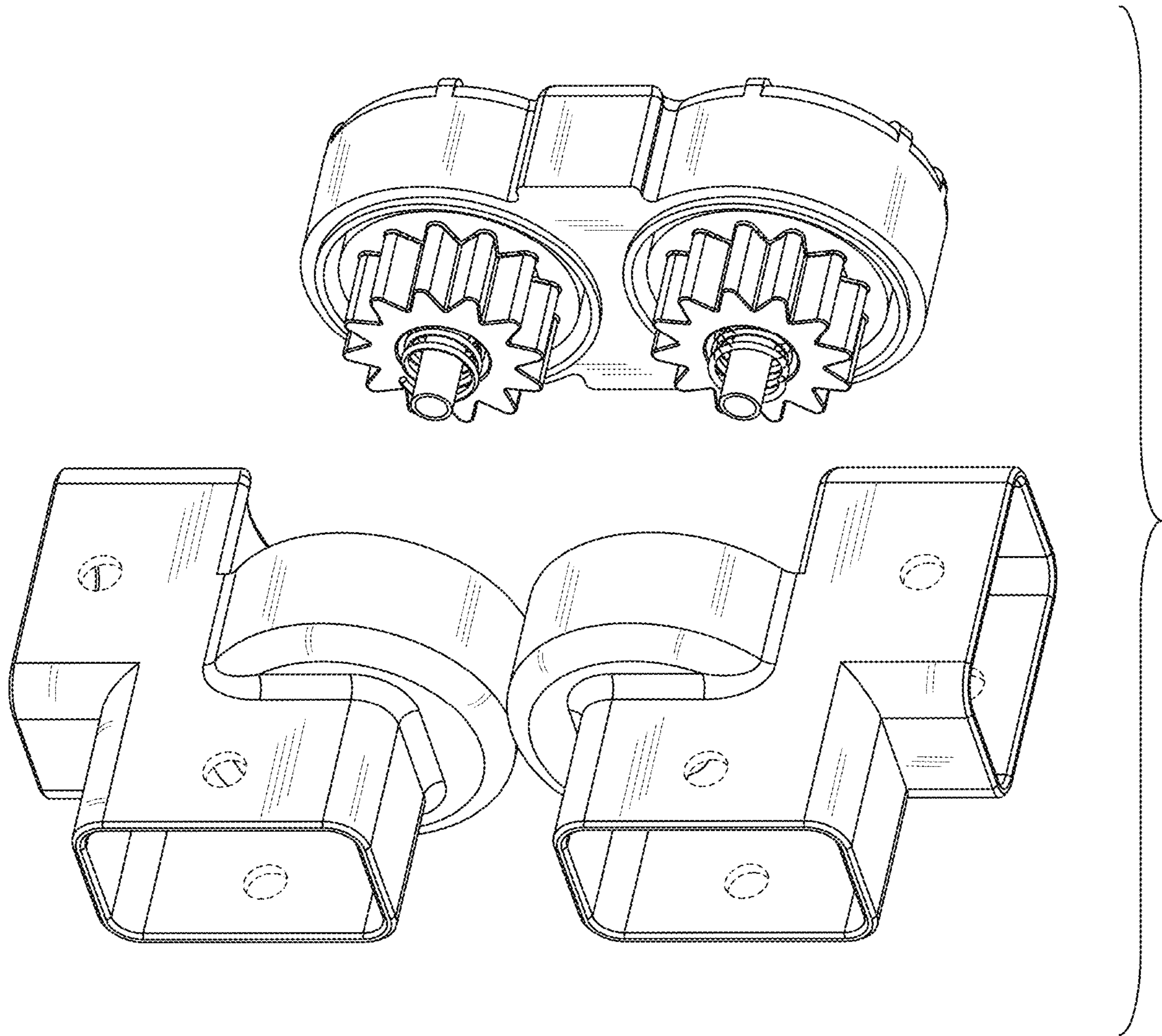


FIG. 10