



US00D891642S

(12) **United States Design Patent**
Jackson

(10) **Patent No.:** **US D891,642 S**
(45) **Date of Patent:** **** Jul. 28, 2020**

(54) **GARAGE DOOR OPENING SCREEN**
(71) Applicant: **Clovis Jackson**, Fayetteville, GA (US)
(72) Inventor: **Clovis Jackson**, Fayetteville, GA (US)
(**) Term: **15 Years**

2,884,056 A * 4/1959 Kubatzky E06B 9/52
49/261
3,004,592 A * 10/1961 Norton E06B 9/52
160/114
3,220,469 A * 11/1965 Oehmig E06B 9/52
160/380
3,455,366 A * 7/1969 Bogumil A47H 21/00
160/368.1

(21) Appl. No.: **29/669,110**

(Continued)

(22) Filed: **Nov. 6, 2018**

FOREIGN PATENT DOCUMENTS

(51) **LOC (12) Cl.** **25-02**

CA 2480699 1/2011
JP D1072615 * 6/2000

(52) **U.S. Cl.**

USPC **D25/48.8**

OTHER PUBLICATIONS

(58) **Field of Classification Search**

USPC D25/38.1, 48.1, 48.8, 58
CPC .. A47H 5/00; E06B 9/08; E06B 9/264; E06B
9/40; E06B 9/44; E06B 9/52; E06B 9/54;
E06B 7/03; E06B 3/485; E06B 3/6715;
E06B 2009/524; E06B 2009/527; E06B
2009/528; B60J 1/2011; Y10S 160/02
See application file for complete search history.

Amazon.com Elite Screens DIY PRO, Projection Screen with Grommets <https://www.amazon.com/Elite-Screens-Portable-Projector-160-inch/dp/B00WU2LT2E> Apr. 21, 2015 (Year: 2015).*

Primary Examiner — Leanne Was-Englehart

(56) **References Cited**

U.S. PATENT DOCUMENTS

1,023,094 A * 4/1912 Palmer E06B 9/262
160/84.01
1,344,093 A * 6/1920 Shogren E06B 9/52
160/381
1,398,869 A * 11/1921 Le Roy E06B 9/52
49/389
1,691,977 A * 11/1928 Levi E06B 9/52
160/353
1,743,099 A * 1/1930 Blackburn E06B 9/52
160/380
1,797,511 A * 3/1931 Mensik E06B 9/52
49/397
1,814,162 A * 7/1931 Ingram E06B 9/52
292/40
1,837,135 A * 12/1931 Pousha B60J 1/2011
160/369

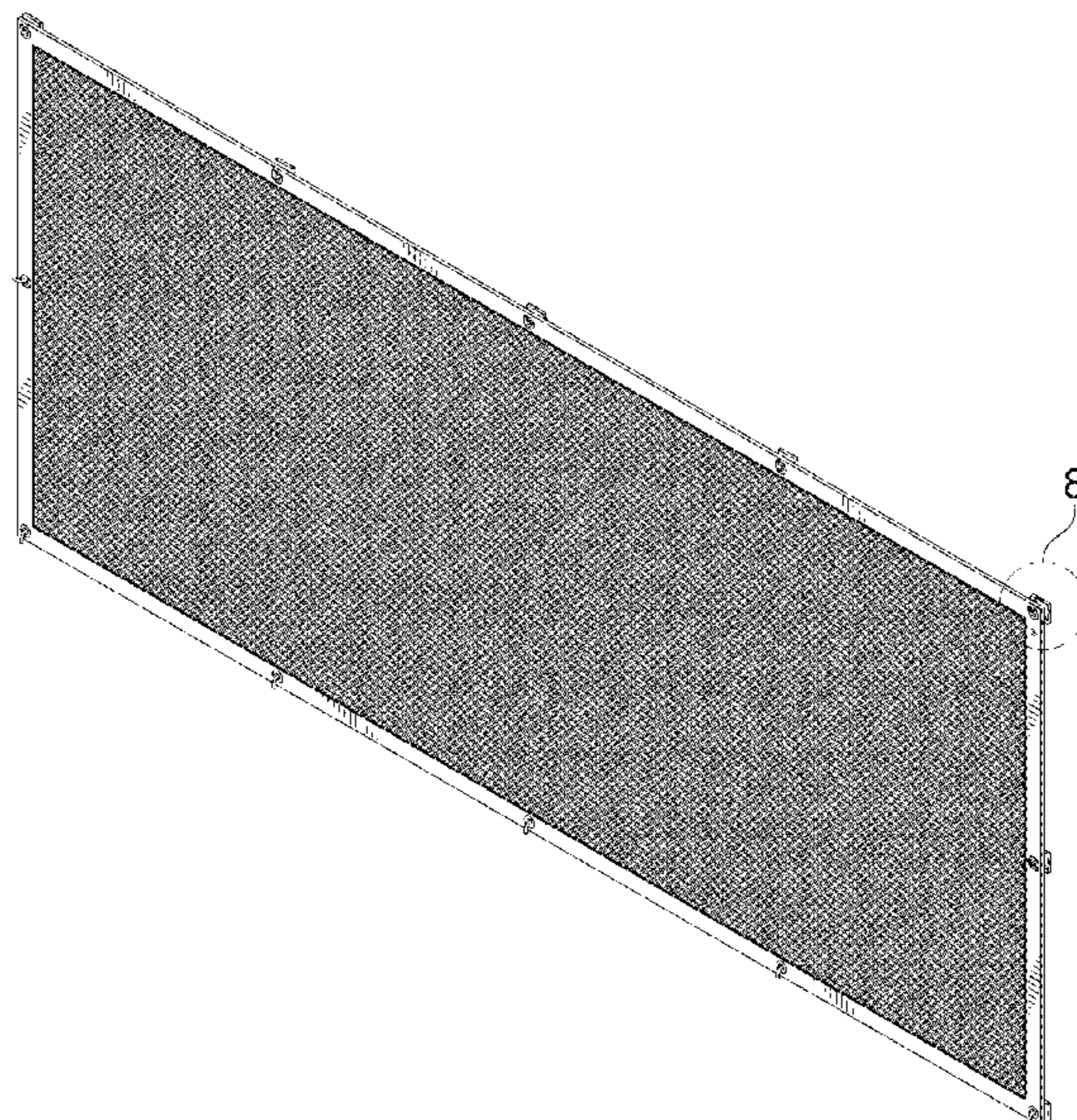
(57) **CLAIM**

I claim the ornamental design for a garage door opening screen, as shown and described.

DESCRIPTION

FIG. 1 is a front view of the garage door opening screen. FIG. 2 is a rear view of the claimed design. FIG. 3 is a left side view of the claimed design. FIG. 4 is a right side view of the claimed design. FIG. 5 is a top view of the claimed design. FIG. 6 is a bottom view of the claimed design. FIG. 7 is a perspective view of the claimed design; and, FIG. 8 is an enlarged perspective view taken from FIG. 7. The broken line circles in FIGS. 7 & 8 depict the limits of the enlarged view and form no part of the claimed design. The broken lines appearing on FIG. 1 are environmental matter forming no part of the claimed design.

1 Claim, 5 Drawing Sheets



(56)

References Cited

U.S. PATENT DOCUMENTS

4,231,412 A * 11/1980 Nowak E06B 9/52
 160/113
 4,378,043 A * 3/1983 Sorenson E06B 7/03
 160/201
 D375,365 S * 11/1996 Kinkade D25/48.8
 D403,870 S * 1/1999 Gongora D6/332
 5,860,465 A * 1/1999 Eastridge E06B 3/485
 160/113
 6,053,235 A 4/2000 Ruffner, Sr.
 6,092,580 A * 7/2000 Lucas E06B 3/485
 160/113
 6,240,996 B1 * 6/2001 Runions B60J 1/2011
 160/105
 6,415,844 B1 * 7/2002 Smith E06B 9/52
 160/216
 D463,865 S * 10/2002 Badua D25/48.8
 D466,616 S * 12/2002 Warner D25/48.8
 6,705,378 B1 3/2004 Smidt
 D535,406 S * 1/2007 Martin D25/48.8
 D562,465 S * 2/2008 Foreman D25/48.8

D611,615 S * 3/2010 Therrien D25/48.8
 7,699,088 B2 4/2010 Coenraets
 D634,413 S * 3/2011 Wallace D23/354
 D666,308 S * 8/2012 Sanchez D25/48.8
 D748,818 S * 2/2016 Shen D25/48.8
 D764,072 S * 8/2016 Deaderick D25/48.8
 D788,323 S * 5/2017 Cox D25/48.8
 9,850,703 B1 * 12/2017 Alirezaei E05D 15/18
 D862,735 S * 10/2019 Jin D25/48.8
 D862,736 S * 10/2019 Jin D25/48.8
 2004/0020157 A1 * 2/2004 Bass E06B 9/52
 52/656.7
 2004/0020607 A1 2/2004 Aguirre
 2004/0144499 A1 7/2004 Pannell
 2006/0037716 A1 2/2006 Hatten
 2009/0084507 A1 * 4/2009 Tescher E06B 3/485
 160/44
 2009/0199983 A1 * 8/2009 Edlin E06B 9/52
 160/378
 2010/0032108 A1 * 2/2010 Ward E06B 9/52
 160/368.1
 2014/0069593 A1 3/2014 Gravel
 2016/0290037 A1 * 10/2016 Amsellem E06B 3/485

* cited by examiner

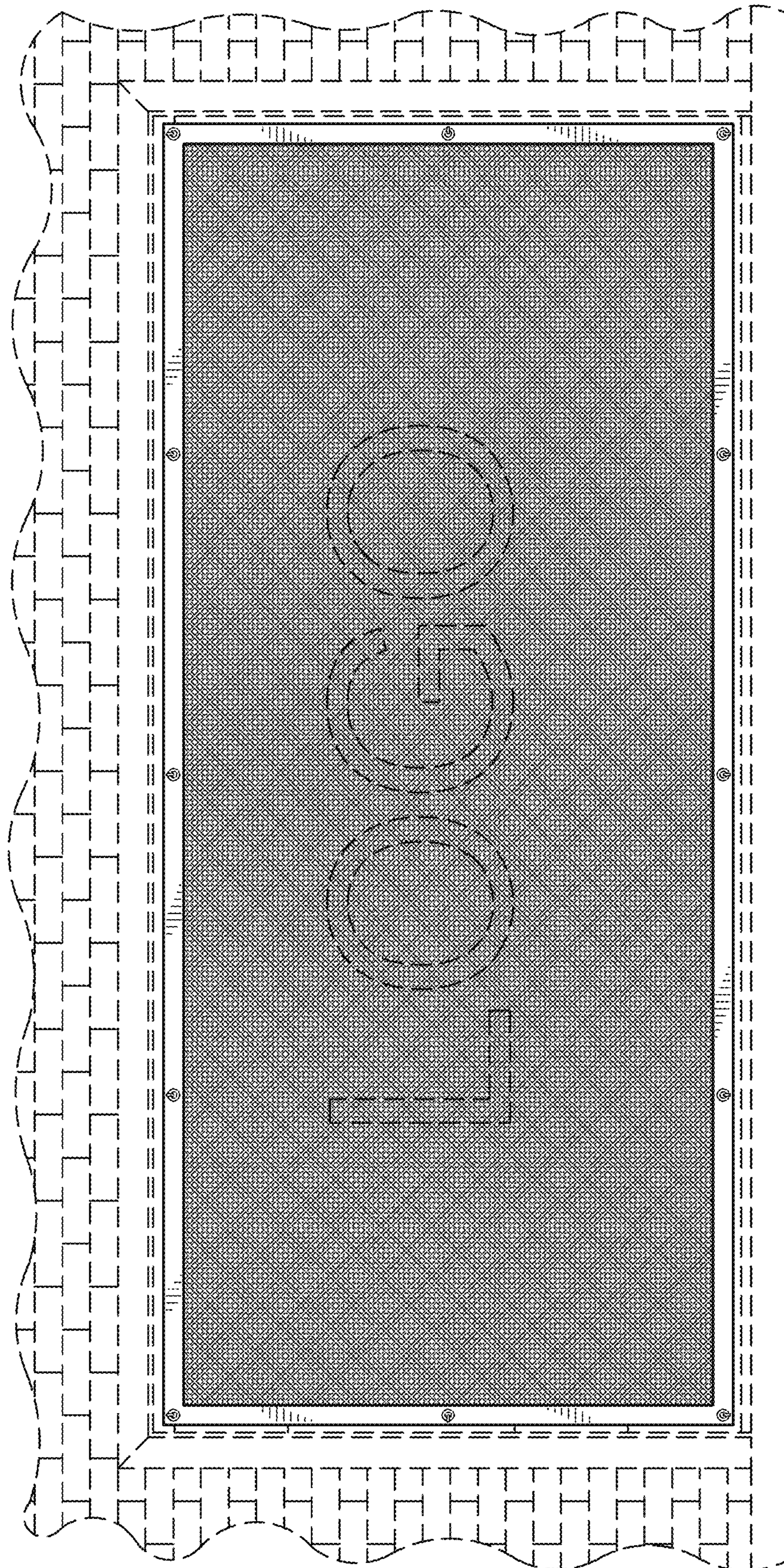


FIG. 1

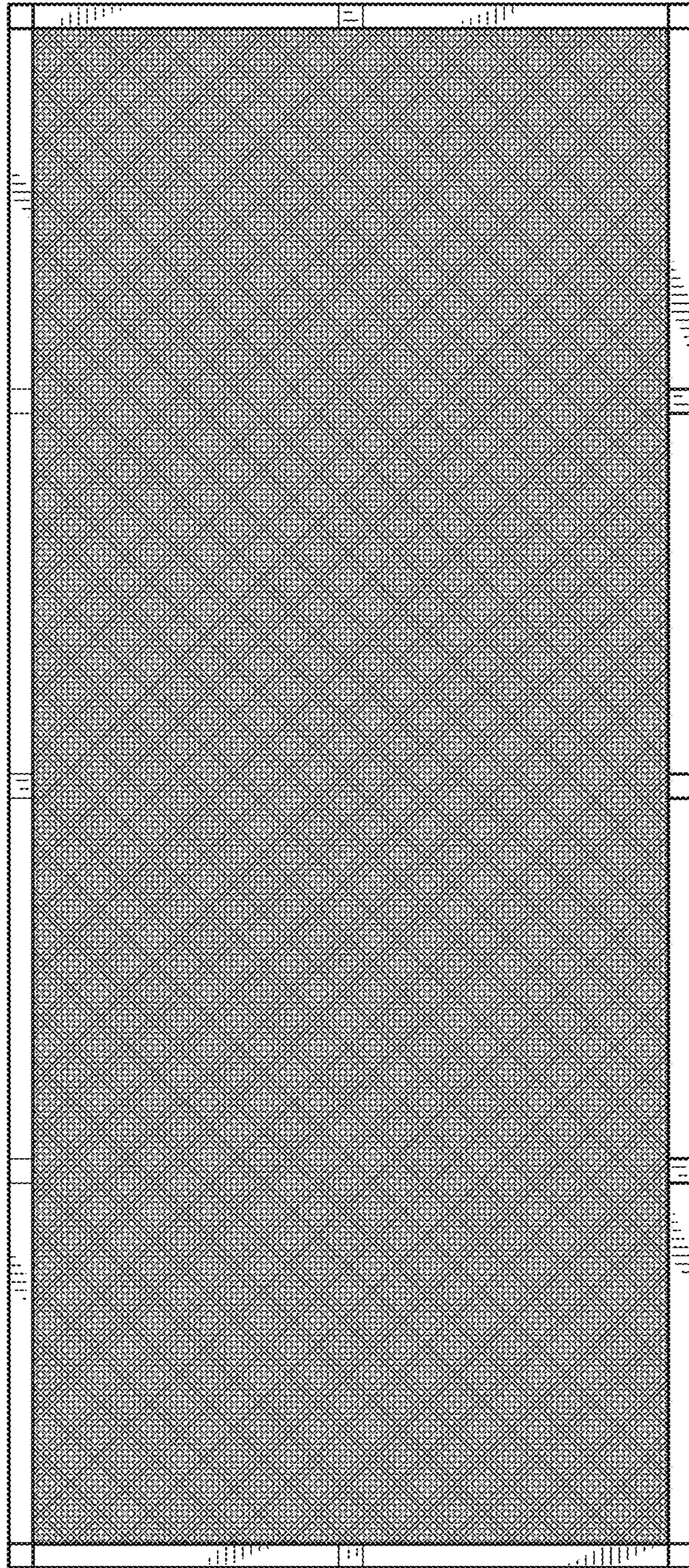


FIG. 2

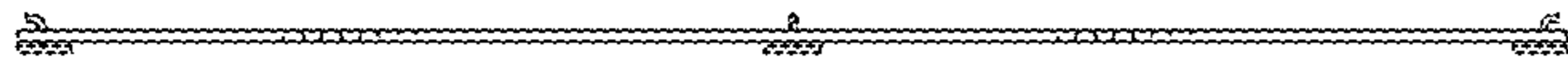


FIG. 3

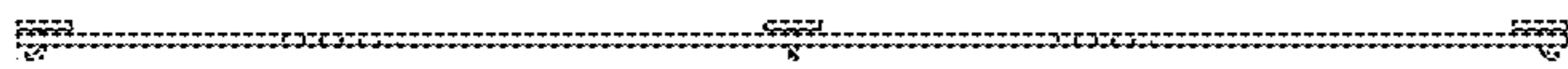


FIG. 4

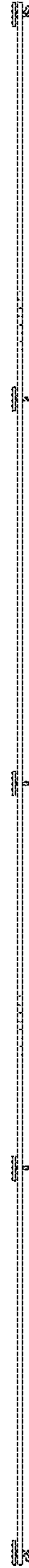


FIG. 5



FIG. 6

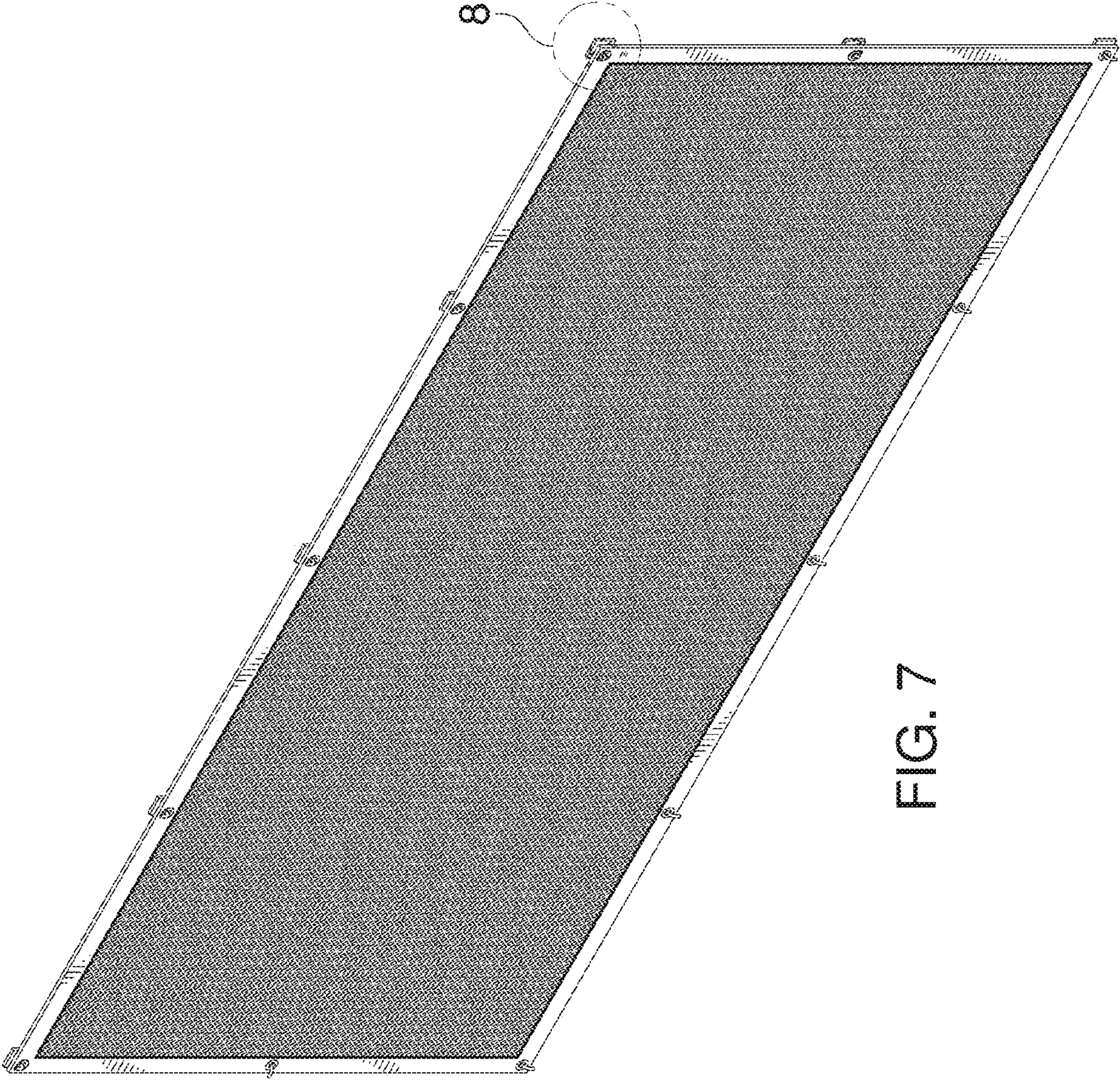


FIG. 7

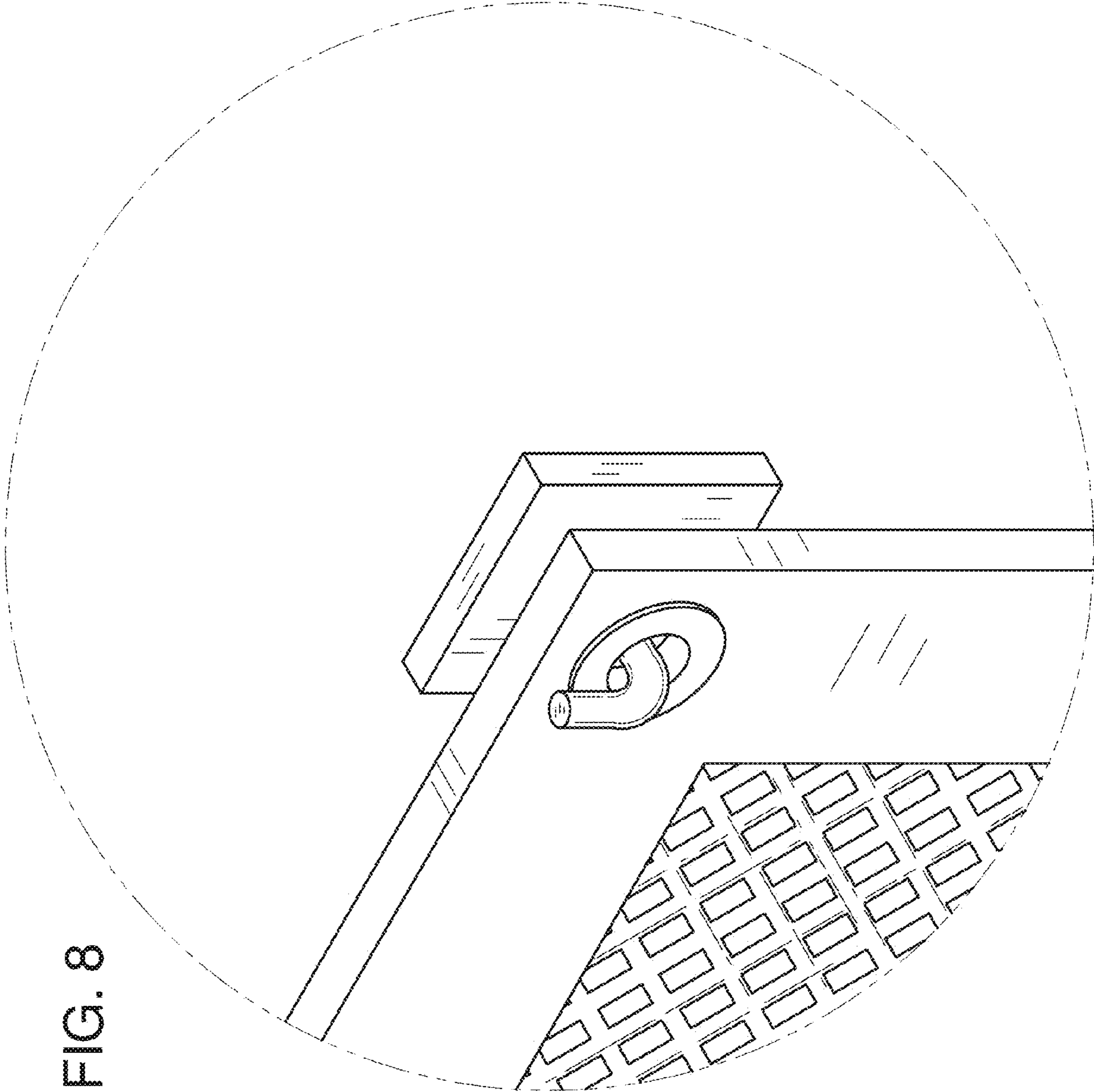


FIG. 8