



US00D891640S

(12) **United States Design Patent** (10) **Patent No.:** **US D891,640 S**
Sasada (45) **Date of Patent:** **** Jul. 28, 2020**

(54) **FENCE WITH SOLAR POWER CELLS**

9,985,581 B2 * 5/2018 Maruyama H02S 30/10
10,074,759 B2 * 9/2018 Imada H01L 31/0547
2017/0179318 A1 * 6/2017 Stoddard H02S 40/36

(71) Applicant: **Panasonic Intellectual Property Management Co., Ltd.**, Osaka-shi, Osaka (JP)

FOREIGN PATENT DOCUMENTS

(72) Inventor: **Motohiro Sasada**, Osaka (JP)

CN 304900087 * 11/2018
KR 300502328.0000 * 8/2008

(73) Assignee: **Panasonic Intellectual Property Management Co., Ltd.**, Osaka (JP)

OTHER PUBLICATIONS

(**) Term: **15 Years**

N330K Photovoltaic Module HIT® 330W Solar Panel Panasonic
<https://na.panasonic.com/us/energy-solutions/solar/hit-panels/n330-photovoltaic-module-hitr> Dec. 2017 (Year: 2017).*

(21) Appl. No.: **29/664,608**

(Continued)

(22) Filed: **Sep. 26, 2018**

Primary Examiner — Leanne Was-Englehart

(30) **Foreign Application Priority Data**

(74) *Attorney, Agent, or Firm* — Brinks Gilson & Lione

Mar. 28, 2018 (JP) 2018-006589

(51) **LOC (12) Cl.** **25-02**

(52) **U.S. Cl.**
USPC **D25/38.1**

(58) **Field of Classification Search**
USPC D13/102; D25/38.1, 39, 40, 41.1, 42, 43, D25/44, 48.5, 138, 152
CPC . F24S 25/20; H02S 20/00; H02S 30/10; F24J 2/5211; E04H 17/00; E04H 2017/1452
See application file for complete search history.

(56) **References Cited**

U.S. PATENT DOCUMENTS

4,999,059 A * 3/1991 Bagno H02S 40/44
136/248
D708,569 S * 7/2014 Beckerman D13/102
D736,583 S * 8/2015 Rodriguez D25/48.5
D738,529 S * 9/2015 Johnson D25/38.1
D784,558 S * 4/2017 Wu D25/38.1
9,973,140 B2 * 5/2018 Kouyanagi H02S 30/10
9,978,891 B2 * 5/2018 Maekawa H01L 31/048

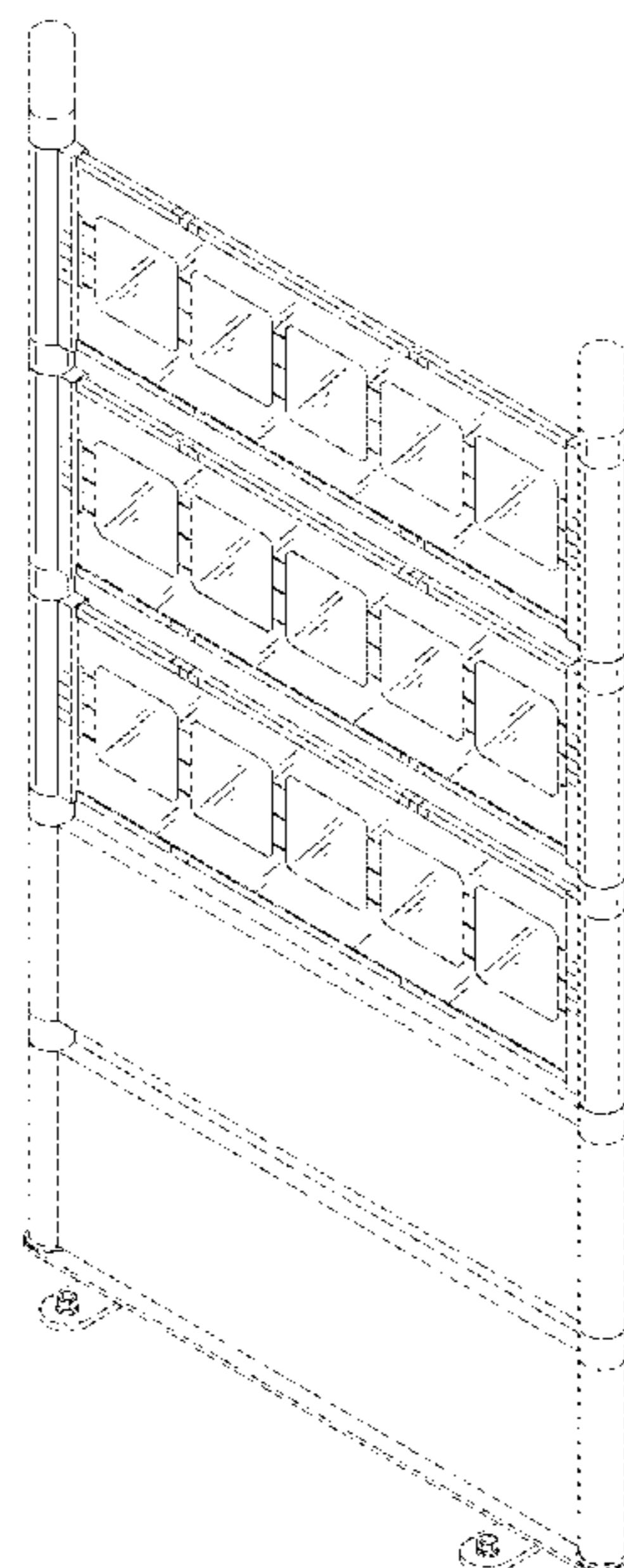
(57) **CLAIM**

I claim the ornamental design for a fence with solar power cells, as shown and described.

DESCRIPTION

FIG. 1 is a perspective view of a fence with solar power cells of the present invention;
FIG. 2 is a front view thereof;
FIG. 3 is a rear view thereof;
FIG. 4 is a left side view thereof;
FIG. 5 is a right side view thereof;
FIG. 6 is a top view thereof;
FIG. 7 is a bottom view thereof; and,
FIG. 8 is a cross-sectional view thereof taken along lines 8-8 of FIG. 6.
The broken lines show parts of the fence with solar power cells that represent unclaimed subject matter and form no part of the claimed design.

1 Claim, 6 Drawing Sheets



(56)

References Cited

OTHER PUBLICATIONS

Photovoltaic Construction Technology Green that Gives Back AGSstainless <https://agsstainless.com/photovoltaic-construction-technology-green-that-gives-back/> posted Mar. 12, 2019 (Year: 2019).*

Scheuten Optisol <https://www.scheuten.com/scheuten-projects/specials/optisol> May 13, 2019 (Year: 2019).*

Upgrading Your Solar System 7 Ways to Dispose of Old Solar Panels <https://www.solarquotes.com.au/blog/solar-panel-recycling-disposal/> posted Oct. 4, 2019 (Year: 2019).*

* cited by examiner

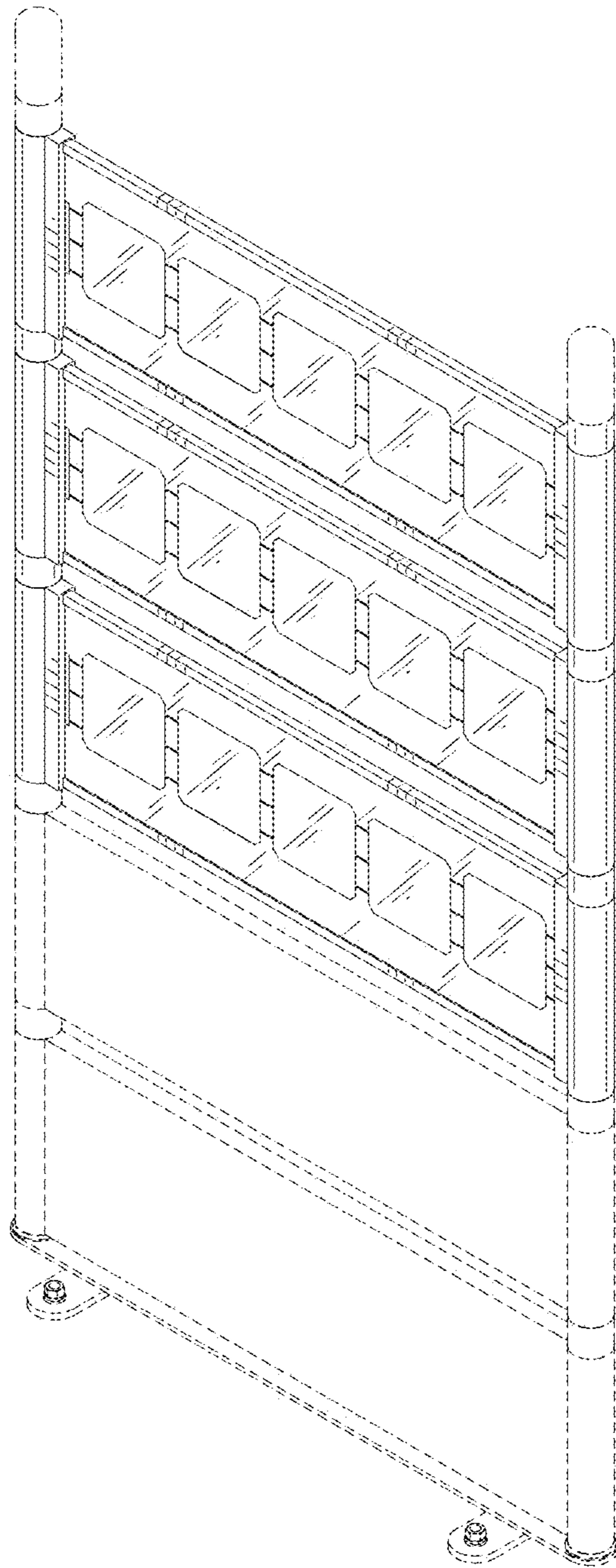


FIG. 1

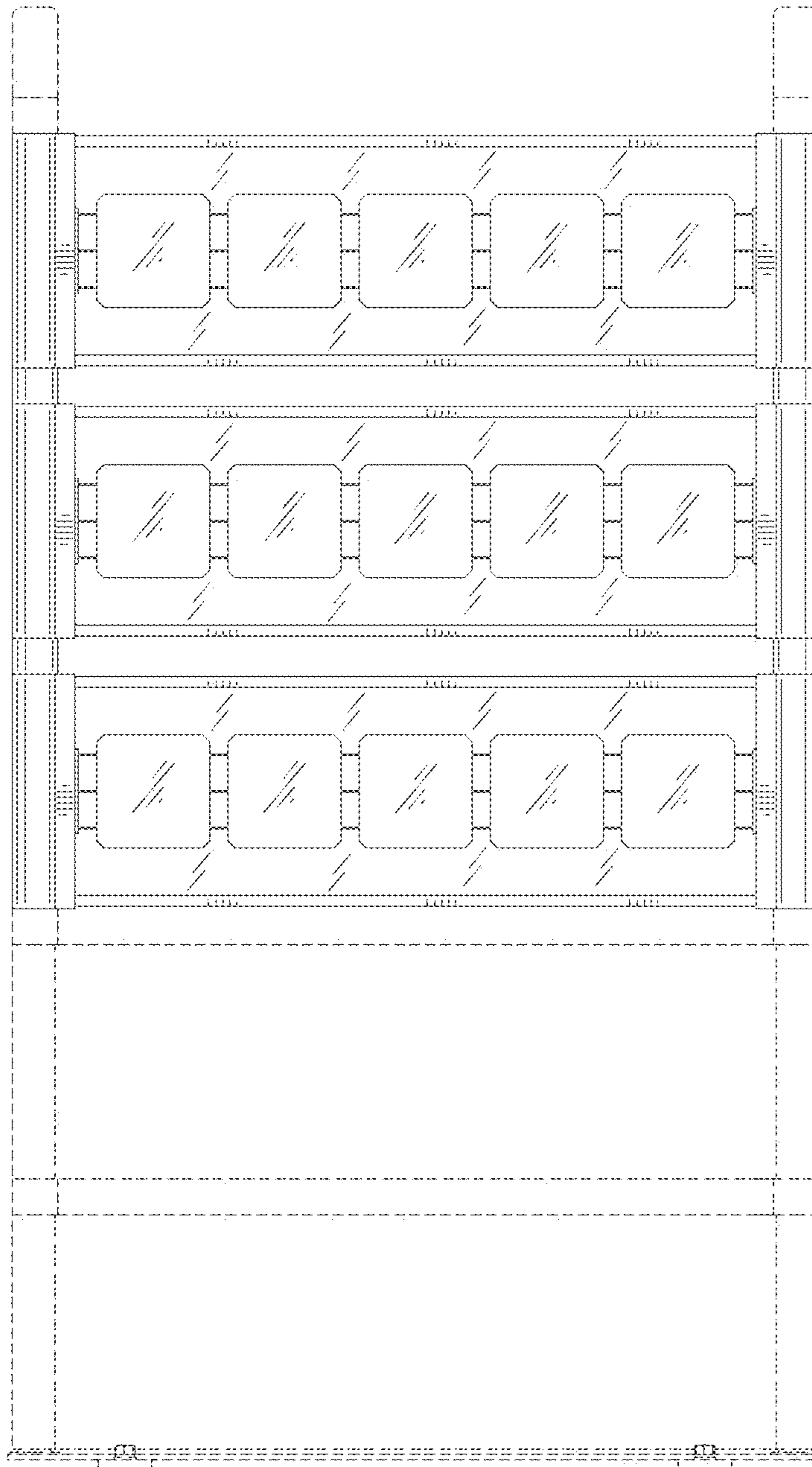


FIG. 2

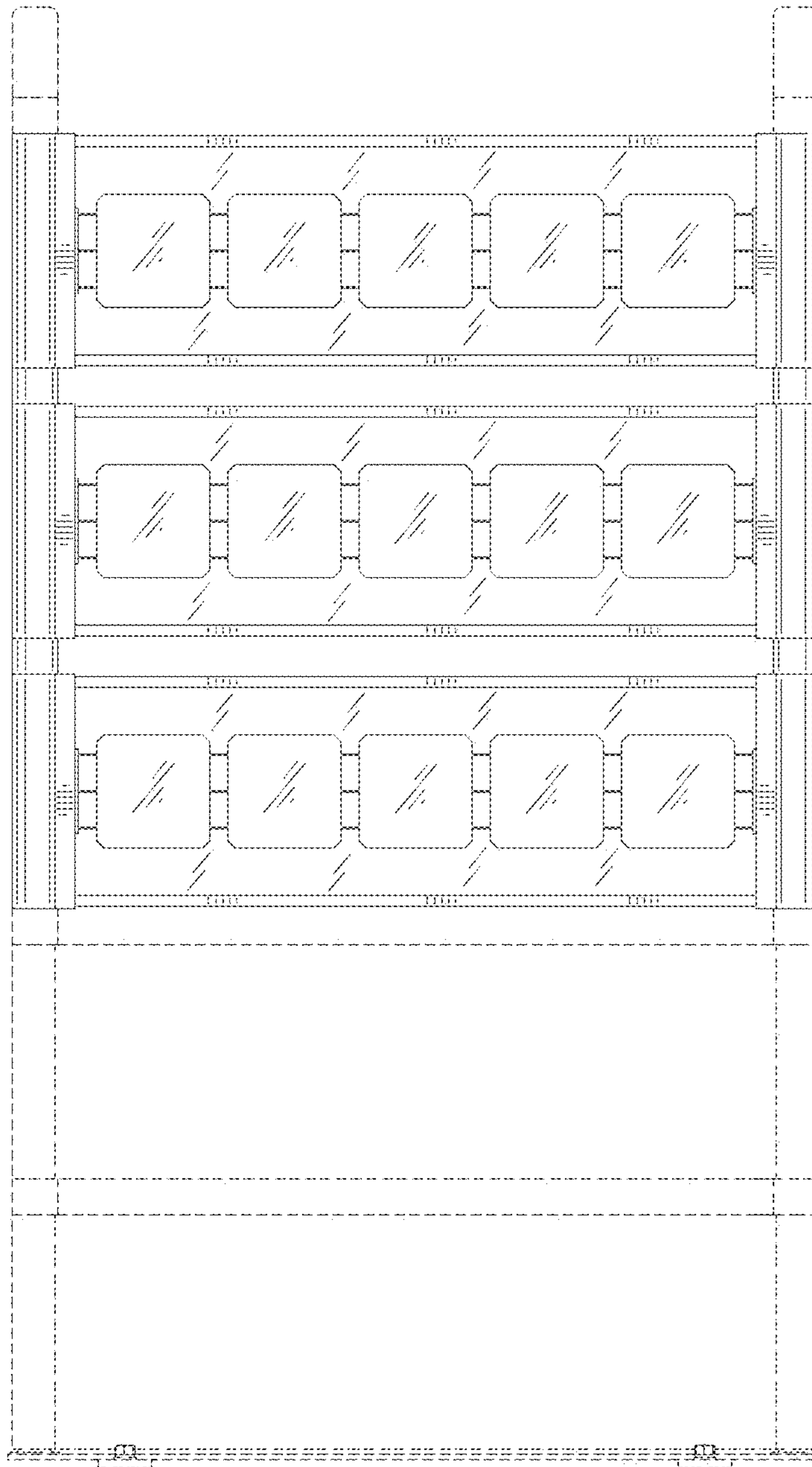


FIG. 3

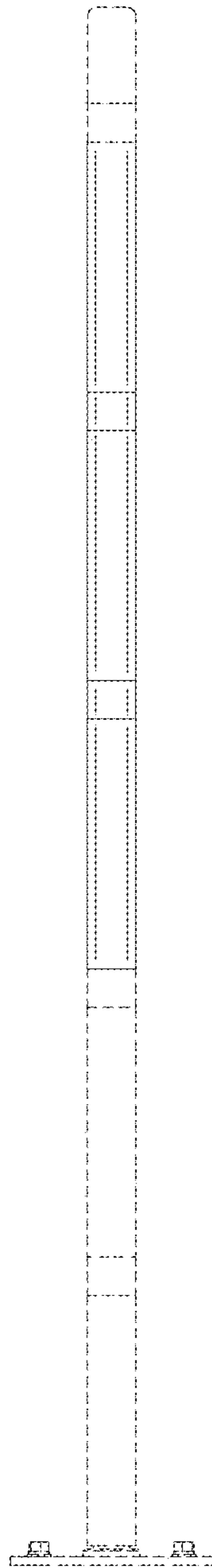


FIG. 4

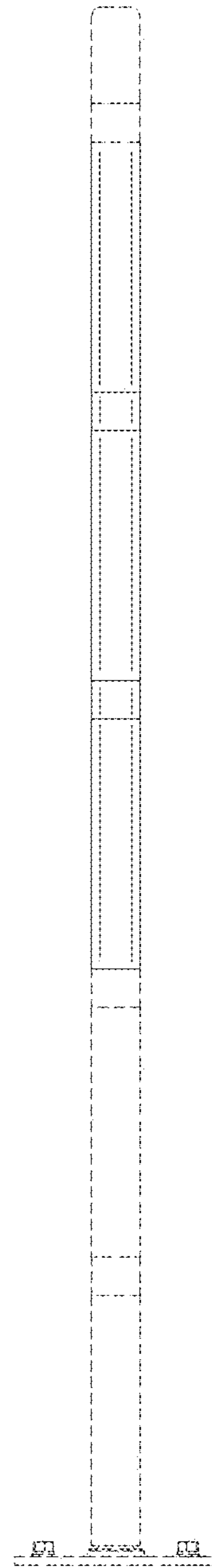


FIG. 5

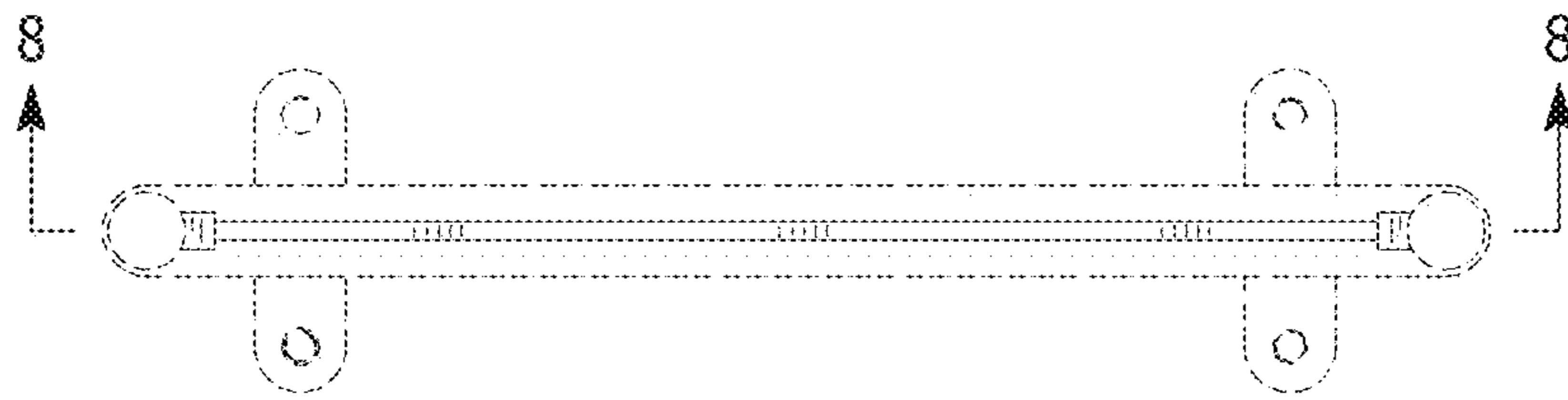


FIG. 6



FIG. 7

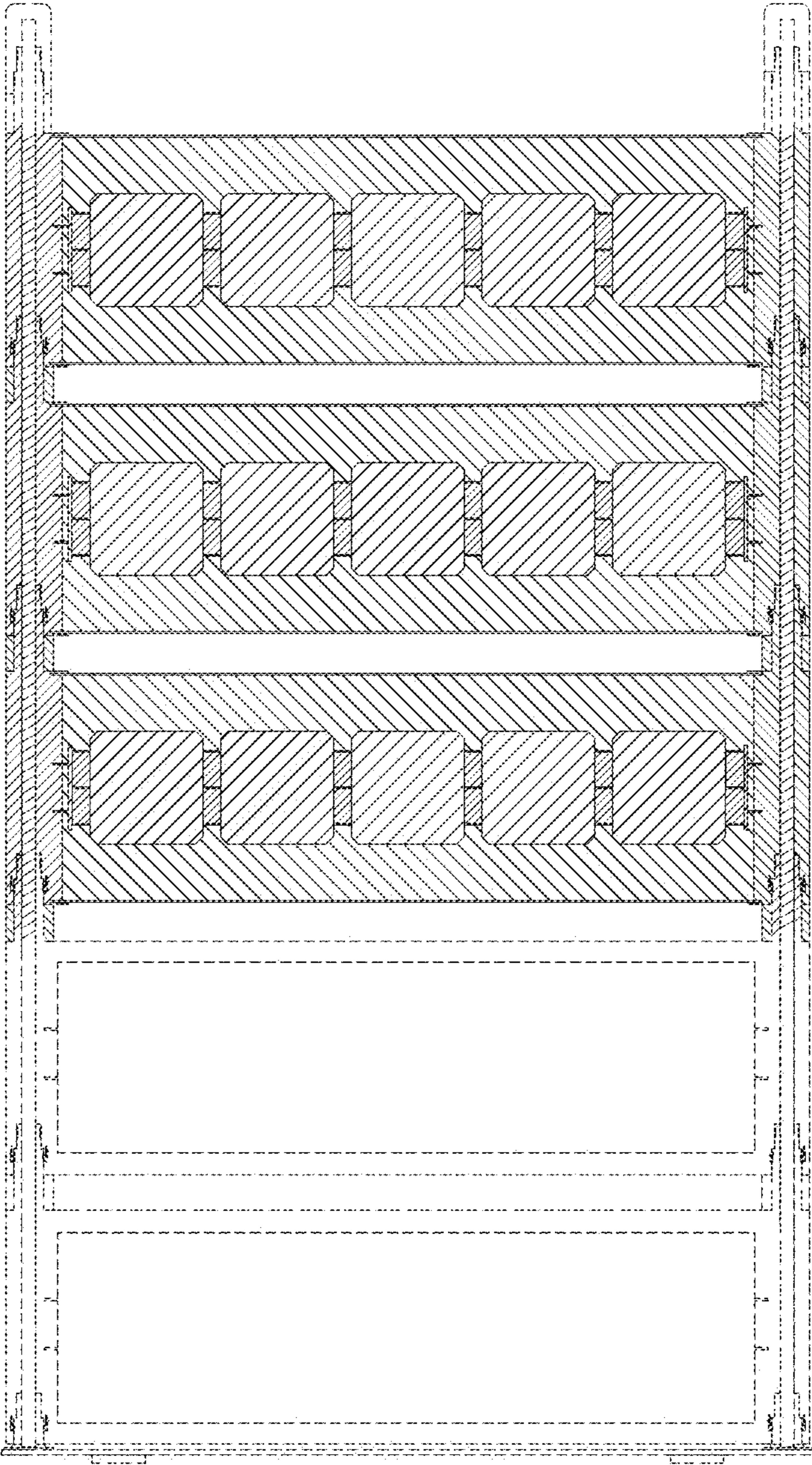


FIG. 8