



US00D891633S

(12) **United States Design Patent** (10) **Patent No.:** **US D891,633 S**
Hole (45) **Date of Patent:** **** Jul. 28, 2020**

(54) SAMPLING DEVICE	D639,446 S *	6/2011	Smith	D24/224
	8,470,268 B2 *	6/2013	Wong	A61B 10/0051
(71) Applicant: Cell Projects Limited , Harrietsham (GB)	D767,757 S *	9/2016	Hole	D24/121
	D790,726 S *	6/2017	Plante	D24/121
	D839,448 S *	1/2019	Langhoff	D24/224
(72) Inventor: Thomas Albert Hole , Harrietsham (GB)	D875,966 S *	2/2020	Smith	D24/224
	2012/0046574 A1 *	2/2012	Skakoon	A61B 10/0051
				600/579
(73) Assignee: Cell Projects Limited , Harrietsham (GB)	2017/0196542 A1 *	7/2017	Spiteri	A61B 10/0051
	2018/0235206 A1 *	8/2018	Laughlin	C12N 15/10
	2019/0200966 A1 *	7/2019	Zhan	A61B 10/0051

(**) Term: **15 Years**

(21) Appl. No.: **29/686,965**

(22) Filed: **Apr. 9, 2019**

(51) **LOC (12) Cl.** **24-01**

(52) **U.S. Cl.**
USPC **D24/216**; D24/121

(58) **Field of Classification Search**
USPC D24/107, 216, 219, 223–232, 121;
D10/81

CPC . A61B 10/04; A61B 10/0038; A61B 10/0051;
A61B 10/0096; A61B 2010/0061; B01L
3/5029; B01L 3/5082; C12Q 1/6883;
C12Q 1/6806; A61J 19/02

See application file for complete search history.

(56) **References Cited**

U.S. PATENT DOCUMENTS

D227,413 S *	6/1973	Sherin	D24/127
4,768,238 A *	9/1988	Kleinberg	A61B 10/0051
			4/144.1

* cited by examiner

Primary Examiner — Anhdao Doan

(74) *Attorney, Agent, or Firm* — Crose Law LLC;
Bradley D. Crose

(57) **CLAIM**

The ornamental design for a sampling device, as shown and described.

DESCRIPTION

FIG. 1 is a front perspective view of a sampling device, showing my design;

FIG. 2 is a second front perspective view thereof;

FIG. 3 is a front view thereof;

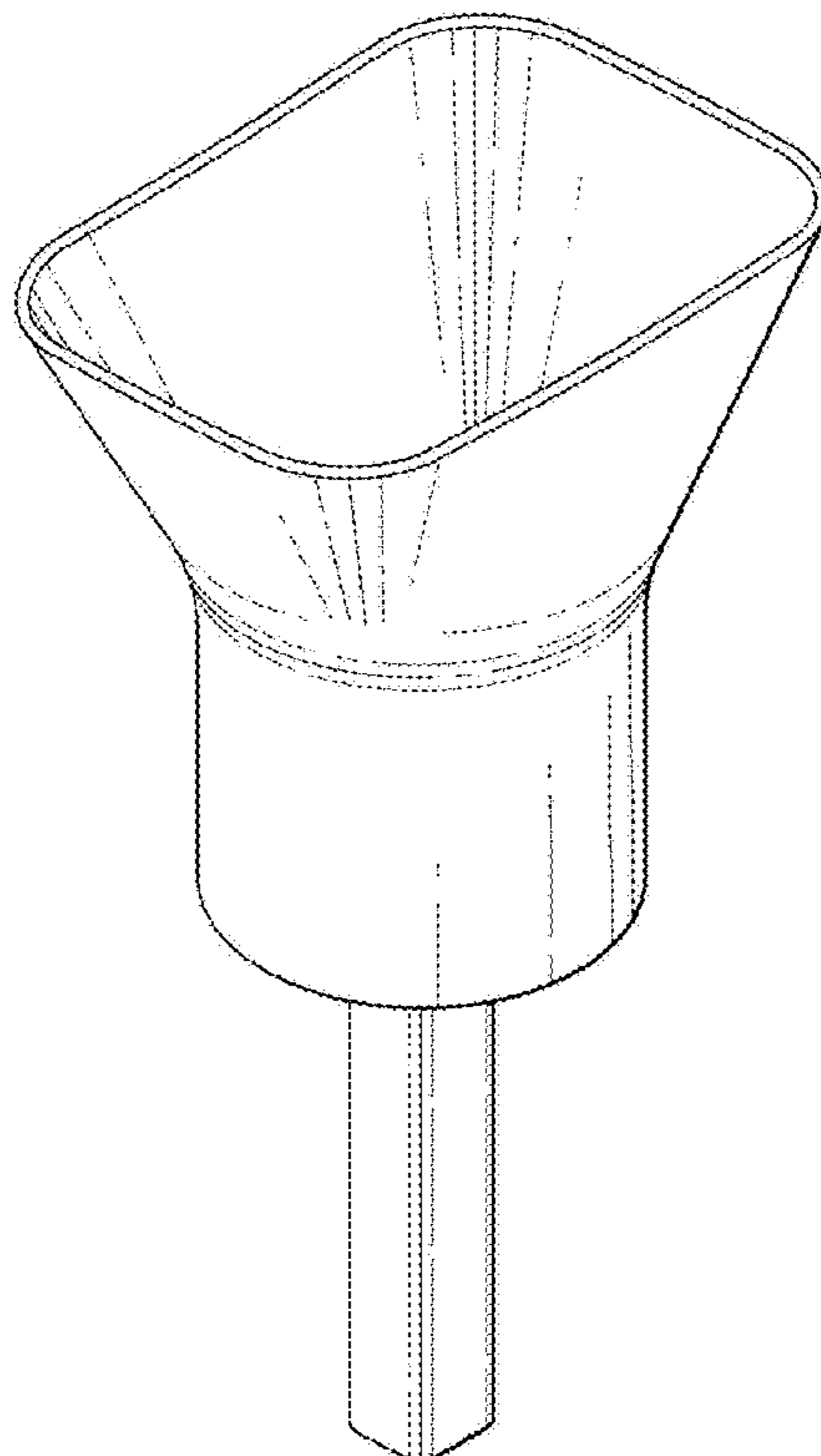
FIG. 4 is a side view thereof;

FIG. 5 is a top view thereof; and,

FIG. 6 is a bottom view thereof.

The broken lines depict portions of the sampling device that form no part of the claimed design; the broken lines form no part of the claimed design.

1 Claim, 6 Drawing Sheets



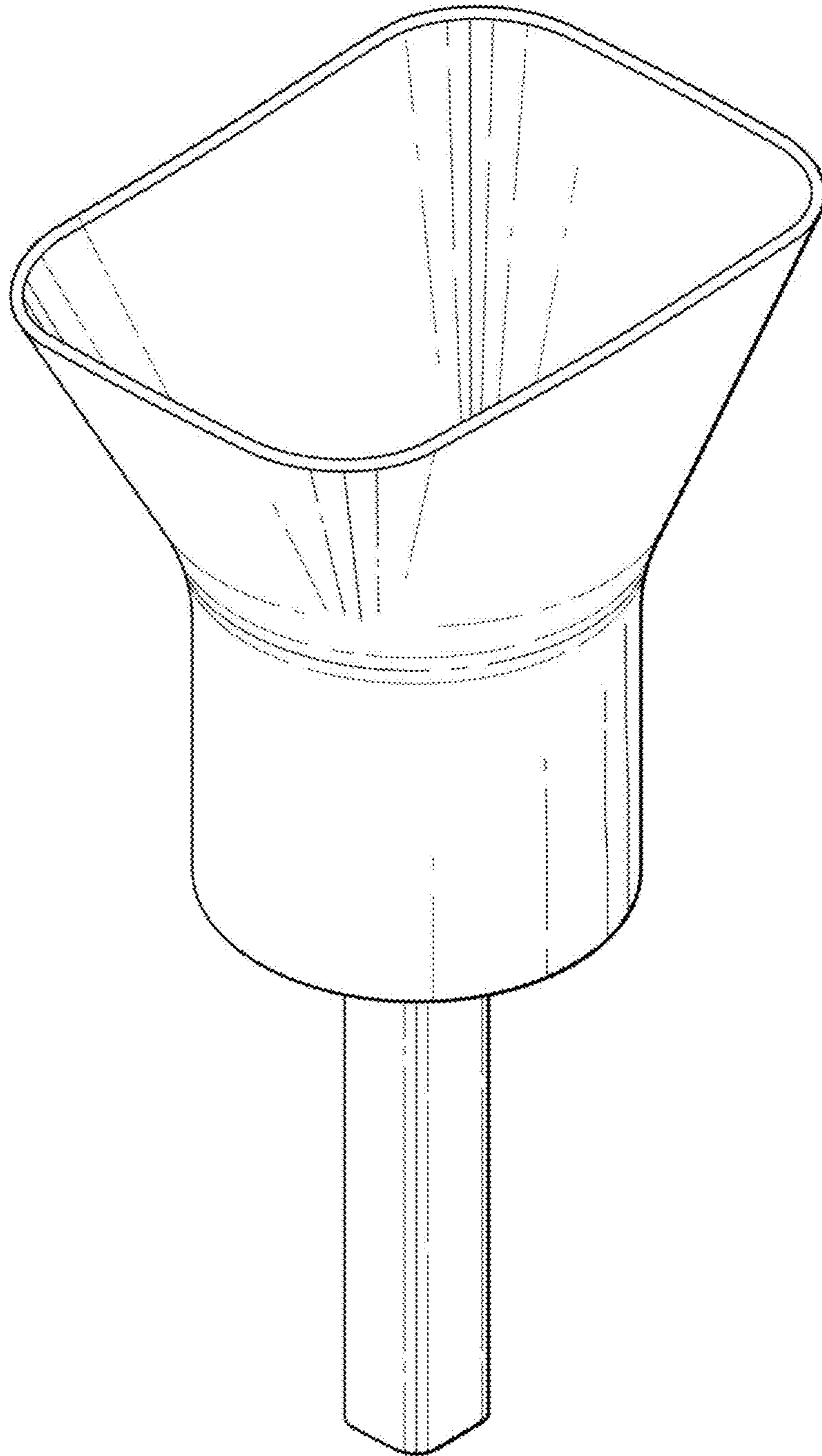


FIG. 1

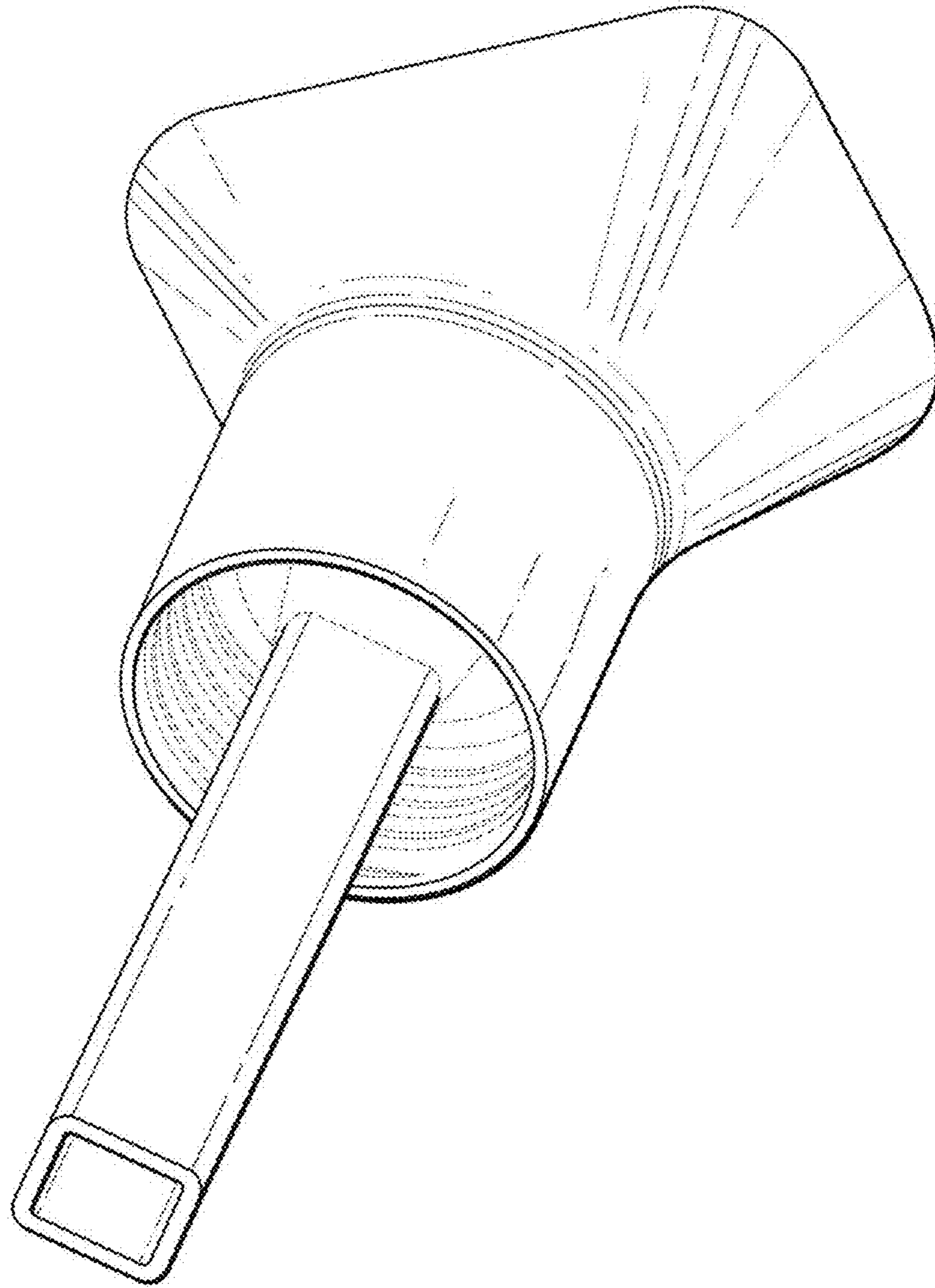


FIG. 2

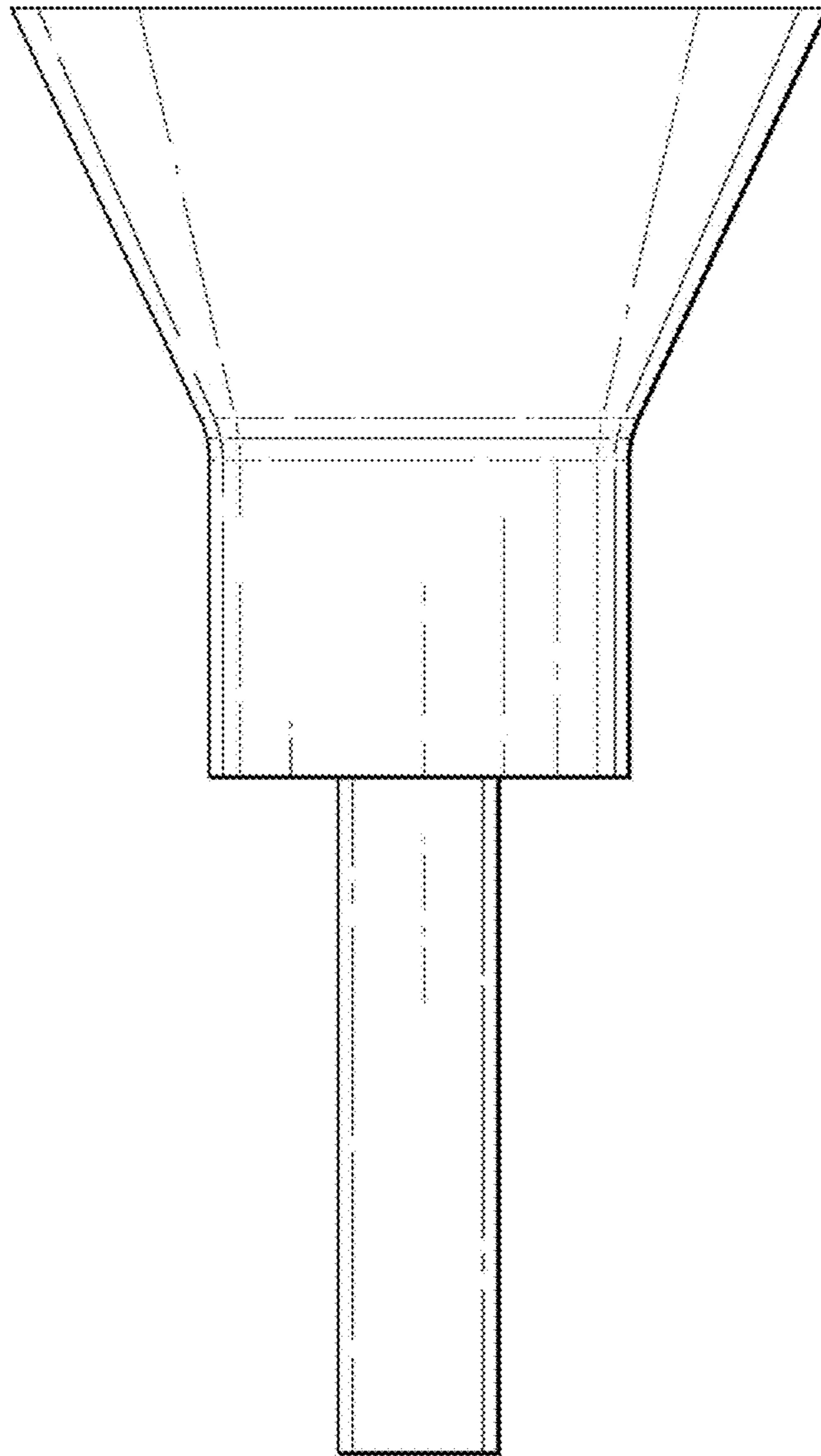


FIG. 3

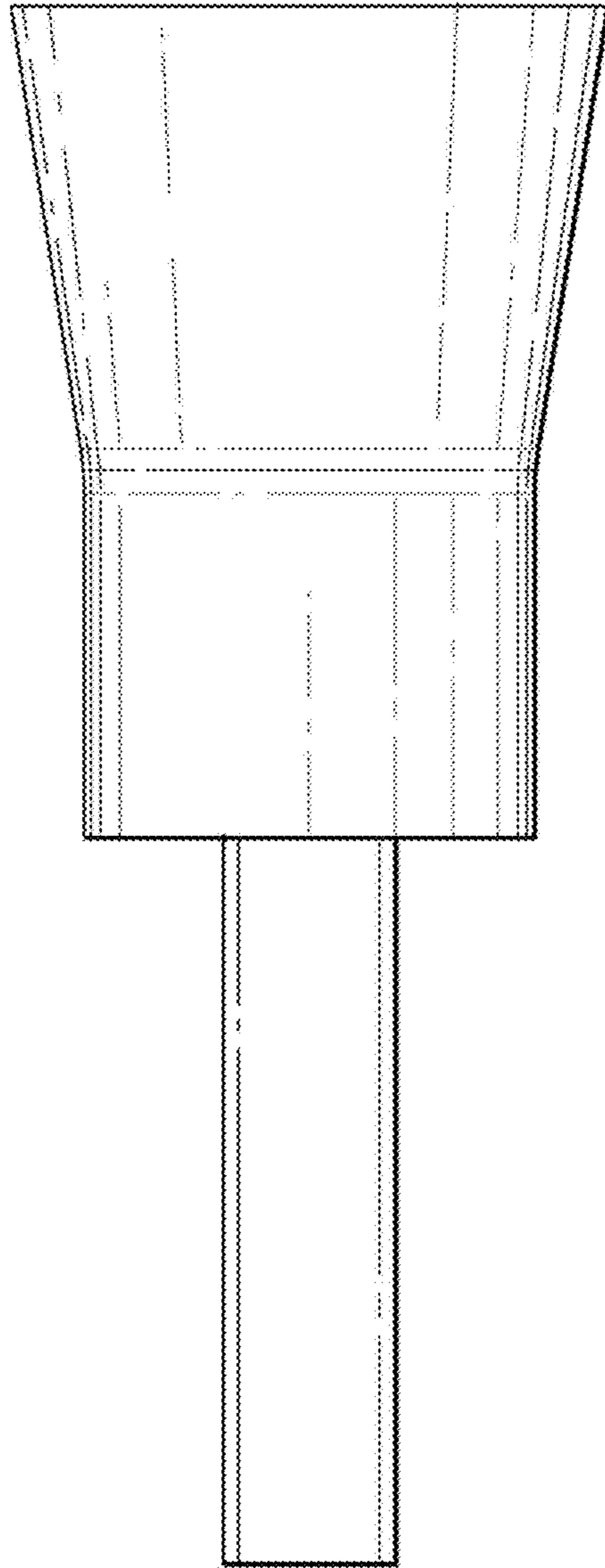


FIG. 4

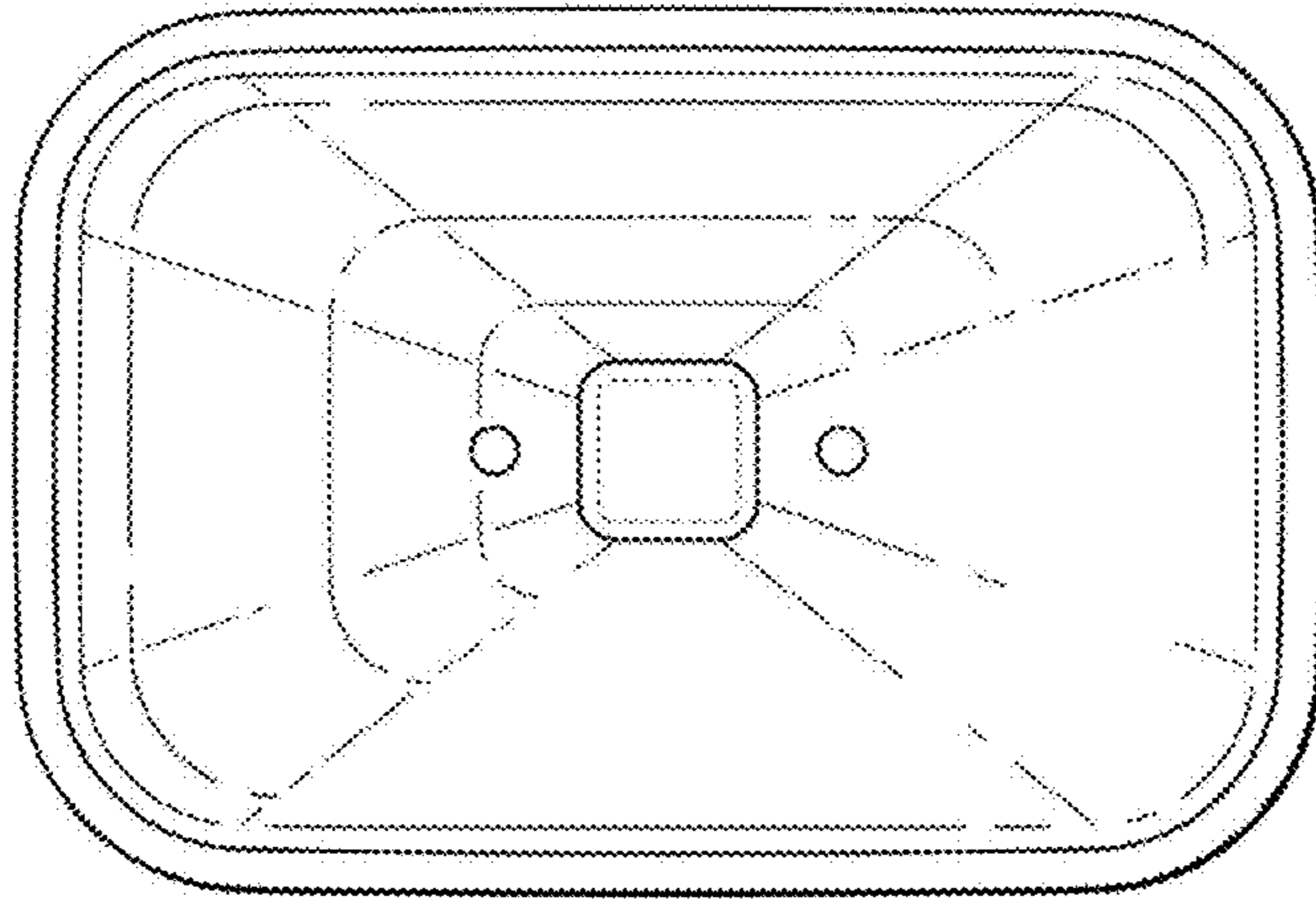


FIG. 5

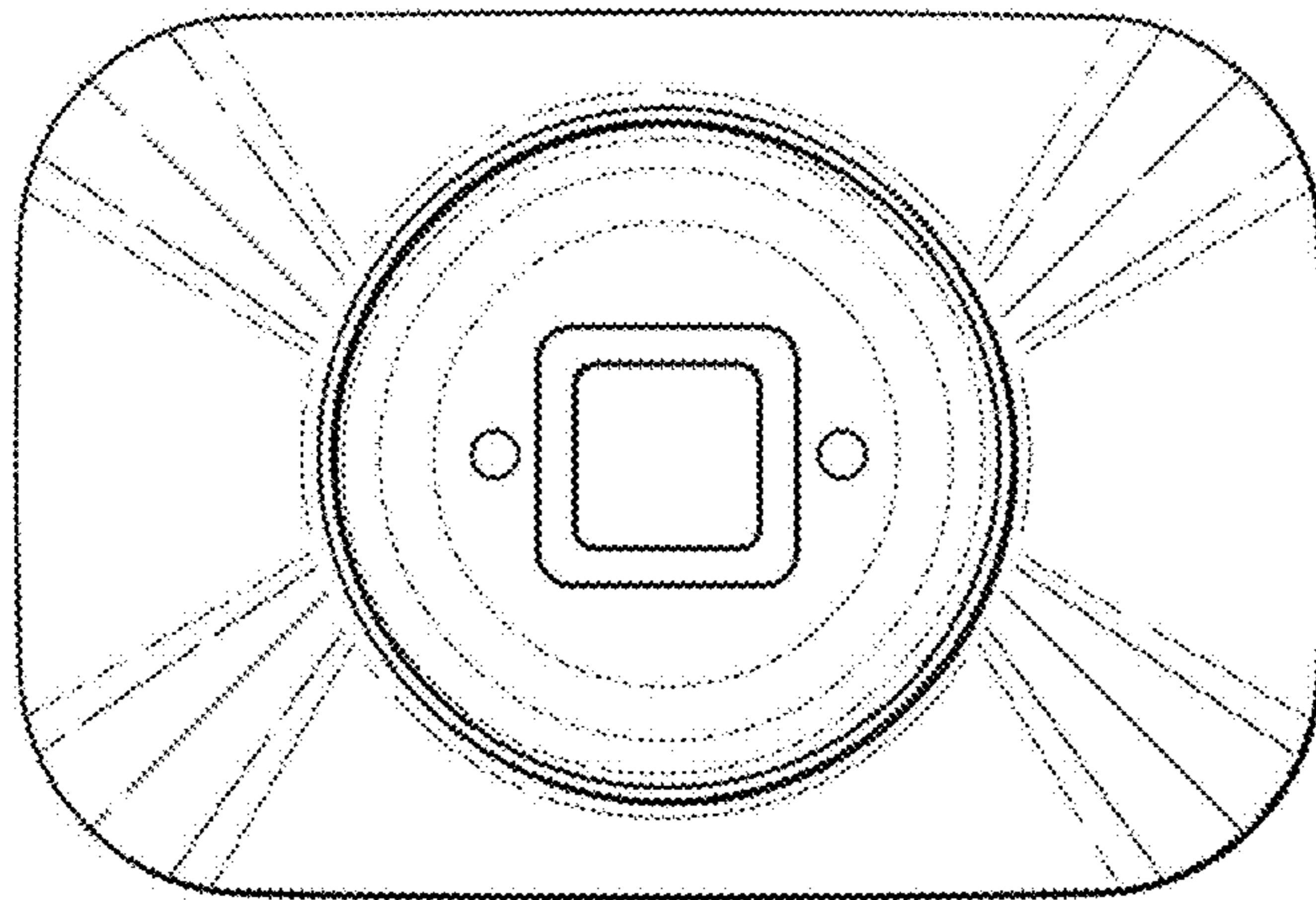


FIG. 6