



US00D891632S

(12) **United States Design Patent**  
**Shalon**

(10) **Patent No.:** **US D891,632 S**

(45) **Date of Patent:** **\*\* Jul. 28, 2020**

- (54) **GASTROINTESTINAL SAMPLING DEVICE**
- (71) Applicant: **Tidhar Dari Shalon**, Los Altos Hills, CA (US)
- (72) Inventor: **Tidhar Dari Shalon**, Los Altos Hills, CA (US)
- (\*\*) Term: **15 Years**
- (21) Appl. No.: **29/665,816**
- (22) Filed: **Oct. 8, 2018**
- (51) **LOC (12) Cl.** ..... **24-01**
- (52) **U.S. Cl.**  
USPC ..... **D24/216**
- (58) **Field of Classification Search**  
USPC ..... D24/107, 216, 219, 223–232, 121, 104, D24/138; D10/81  
CPC . A61B 10/04; A61B 10/0038; A61B 10/0051; A61B 10/0096; A61B 2010/0061; B01L 3/5029; B01L 3/5082  
See application file for complete search history.

- D543,272 S \* 5/2007 Gilad ..... D24/113
- 8,812,368 B1 \* 8/2014 Gazdzinski ..... A61B 1/00016
- 705/21
- D743,046 S \* 11/2015 Poll ..... D24/224
- D776,291 S \* 1/2017 Wan ..... D24/216
- 2001/0051766 A1 \* 12/2001 Gazdzinski ..... A61B 10/04
- 600/309
- 2005/0143623 A1 \* 6/2005 Kojima ..... A61B 1/041
- 600/109
- 2019/0282791 A1 \* 9/2019 Jones ..... A61B 10/04
- 2019/0343425 A1 \* 11/2019 Jones ..... A61B 5/073

\* cited by examiner

*Primary Examiner* — Anhdao Doan

(74) *Attorney, Agent, or Firm* — Ashok Tankha

(57) **CLAIM**

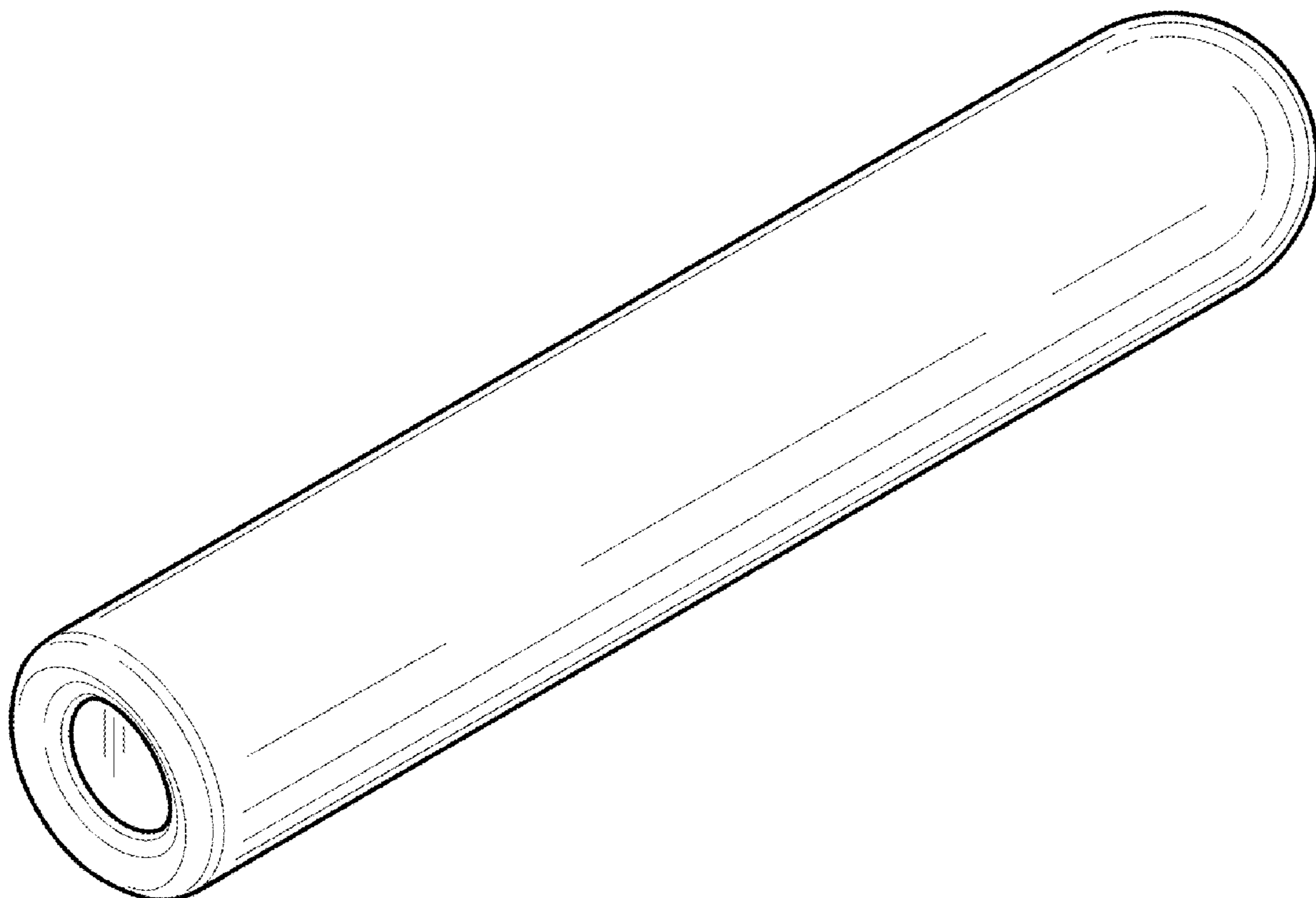
The ornamental design for a gastrointestinal sampling device, as shown and described.

**DESCRIPTION**

FIG. 1 is a front isometric view of an ornamental design for a gastrointestinal sampling device;  
FIG. 2 is a rear isometric view thereof;  
FIG. 3 is a front elevation view thereof;  
FIG. 4 is a rear elevation view thereof;  
FIG. 5 is a top plan view thereof;  
FIG. 6 is a bottom plan view thereof;  
FIG. 7 is a left side elevation view thereof; and,  
FIG. 8 is a right side elevation view thereof.

**1 Claim, 4 Drawing Sheets**

- (56) **References Cited**  
U.S. PATENT DOCUMENTS
- D285,837 S \* 9/1986 Wittwer ..... 206/807
- D325,444 S \* 4/1992 Murashita ..... D24/224
- D477,669 S \* 7/2003 Zhou ..... D24/216
- D510,139 S \* 9/2005 Gilad ..... D24/104
- D512,150 S \* 11/2005 Iddan ..... D24/104



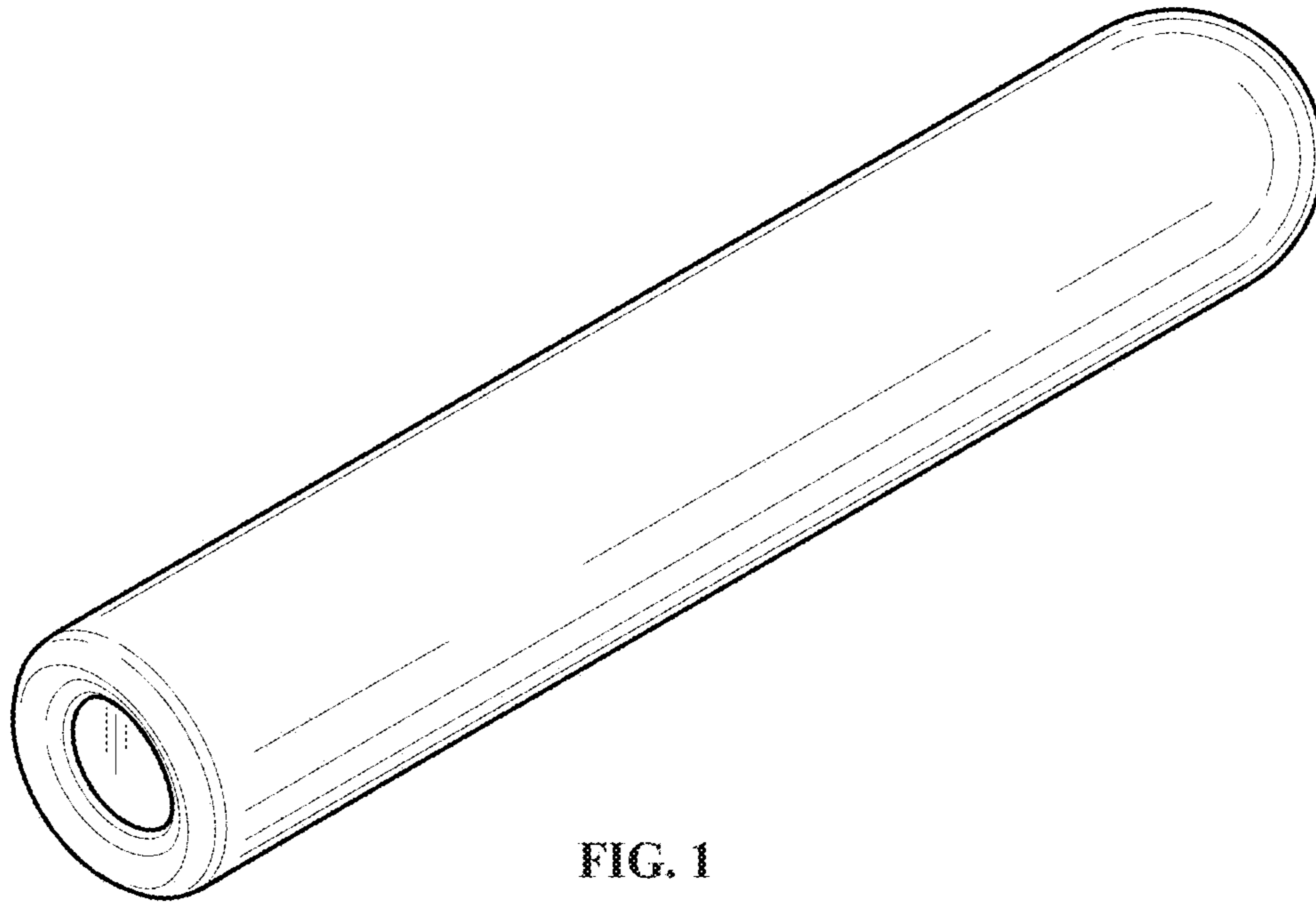


FIG. 1

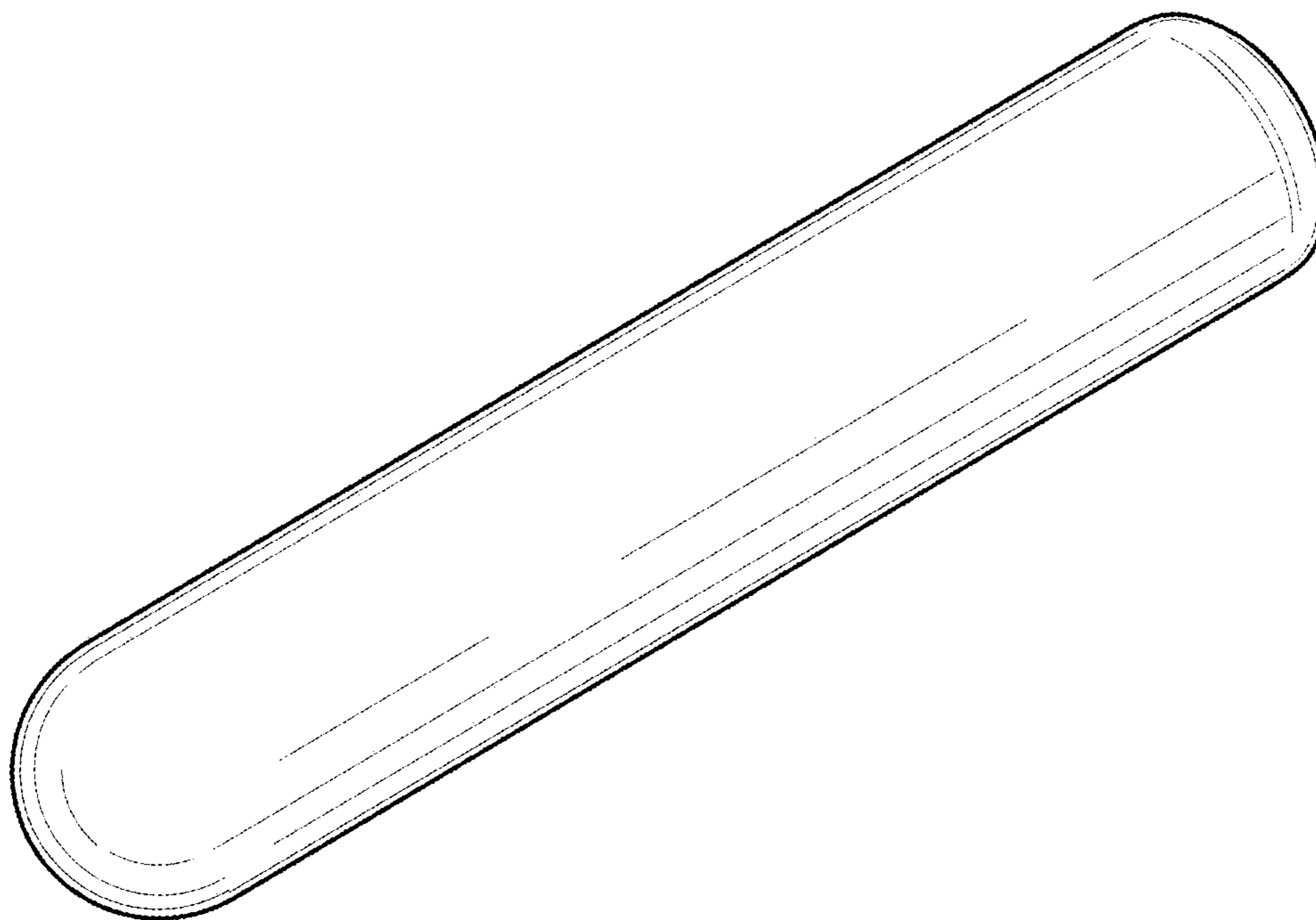


FIG. 2

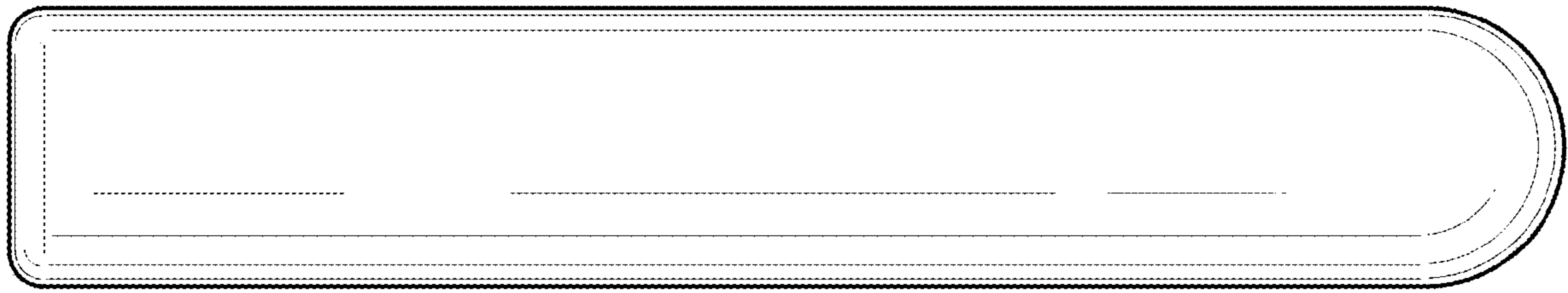


FIG. 3

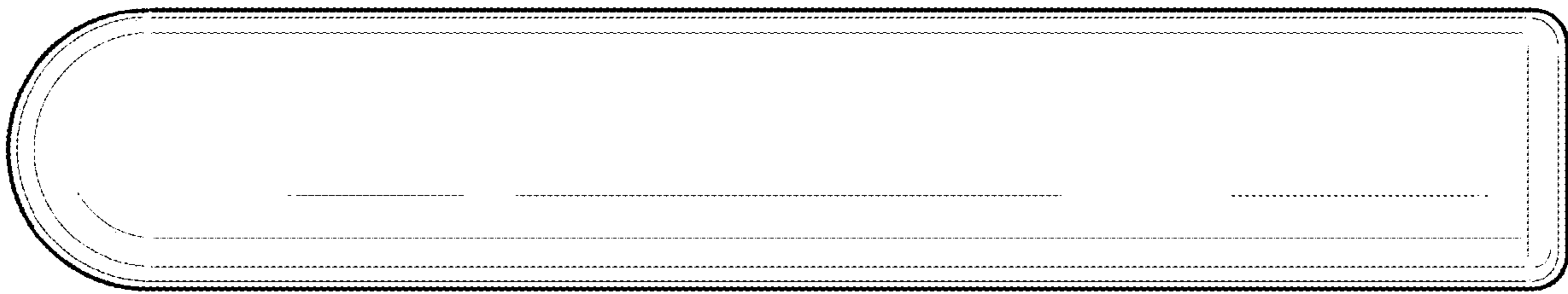


FIG. 4

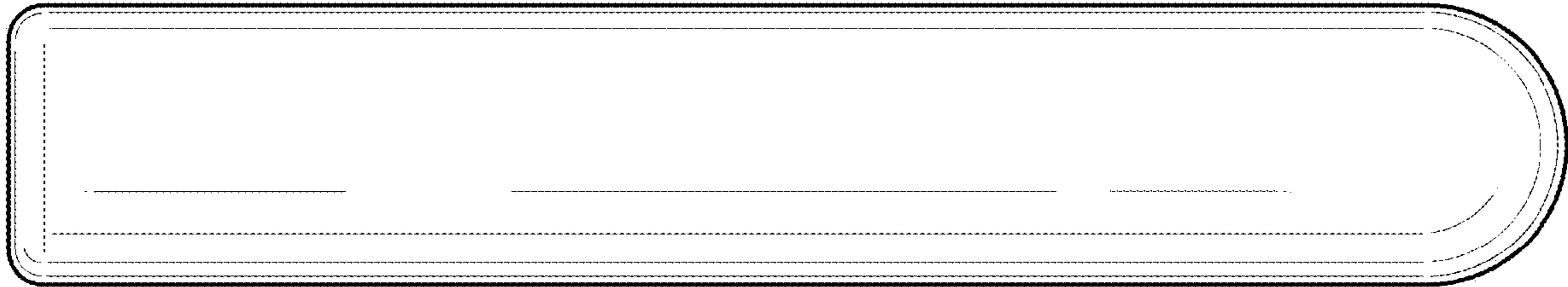


FIG. 5

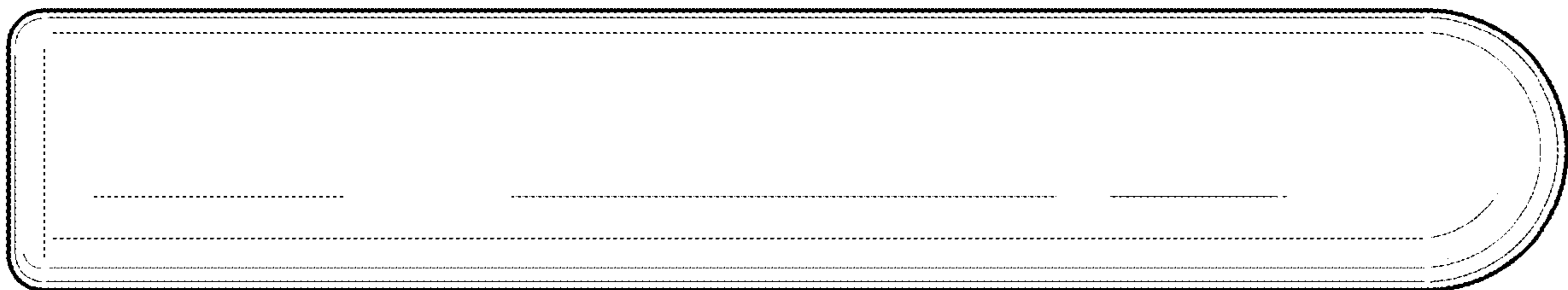


FIG. 6

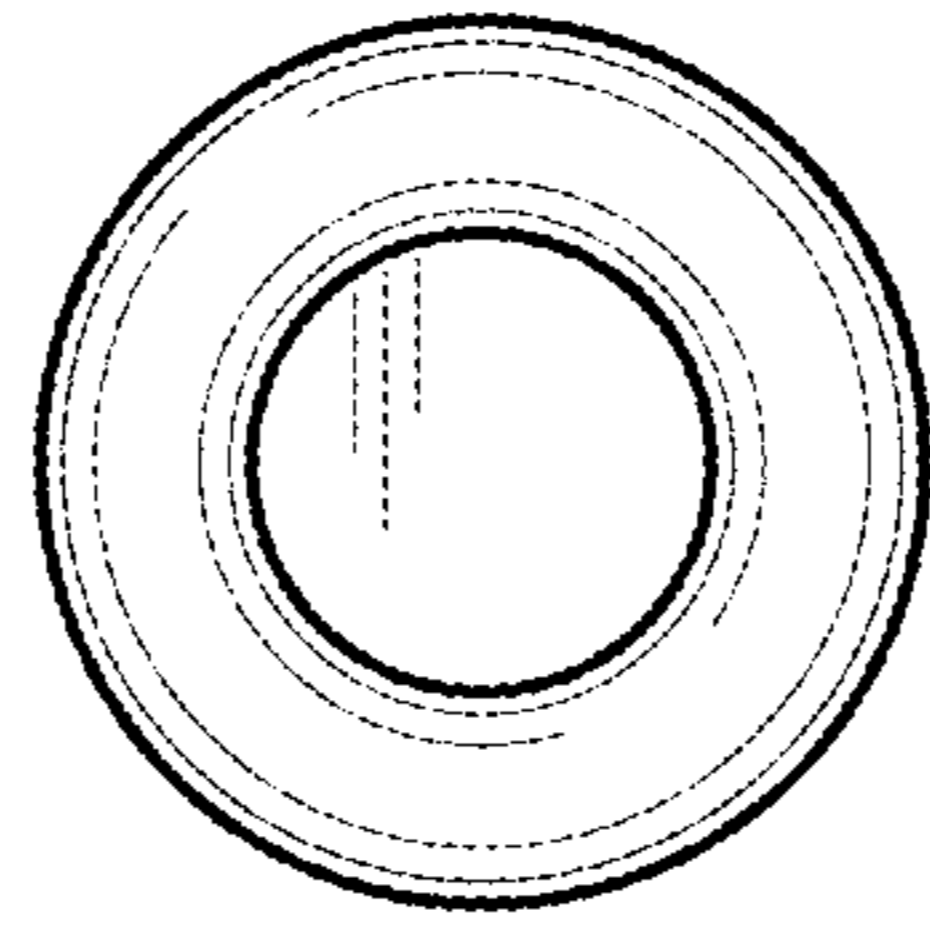


FIG. 7

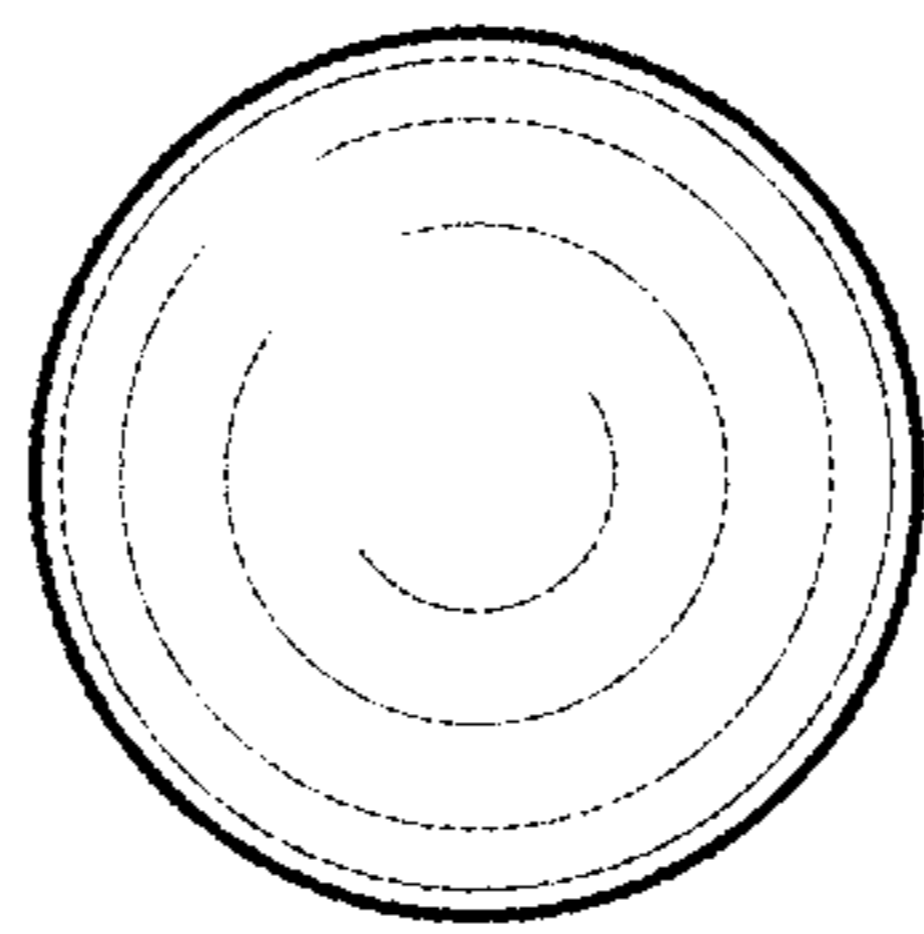


FIG. 8