



US00D891626S

(12) **United States Design Patent**  
**Xu**

(10) **Patent No.:** **US D891,626 S**  
(45) **Date of Patent:** **\*\* Jul. 28, 2020**

(54) **KNEE BANDAGE**

(71) Applicant: **Ting Xu**, Jinhua (CN)

(72) Inventor: **Ting Xu**, Jinhua (CN)

(\*\*) Term: **15 Years**

(21) Appl. No.: **29/721,276**

(22) Filed: **Jan. 20, 2020**

(51) **LOC (12) Cl.** ..... **24-01**

(52) **U.S. Cl.**  
USPC ..... **D24/190**

(58) **Field of Classification Search**  
USPC ..... D24/190, 192; D29/120.1, 121.2  
CPC ..... A61H 9/0078; A61H 2209/00; A61H  
2205/10; A61H 2201/165; A61H  
2201/1697; A61H 2205/106; A61H  
9/0092; A61H 2205/12; A61H 2201/5007;  
A61H 2201/5002; A61H 2201/5071  
See application file for complete search history.

(56) **References Cited**

**U.S. PATENT DOCUMENTS**

5,086,761 A \* 2/1992 Ingram ..... A61F 5/0106  
602/26  
5,451,201 A \* 9/1995 Prengler ..... A61F 5/012  
602/13

D403,775 S \* 1/1999 Davis ..... D24/190  
D403,779 S \* 1/1999 Davis ..... D24/190  
5,906,637 A \* 5/1999 Davis ..... A61F 7/034  
607/108  
D448,084 S \* 9/2001 Hopwood ..... D24/190  
8,114,117 B2 \* 2/2012 Avitable ..... A61H 9/0078  
606/201  
D716,956 S 11/2014 Ortega  
D733,894 S 7/2015 Ortega  
D750,790 S 3/2016 Ortega

\* cited by examiner

*Primary Examiner* — Jennifer L Watkins

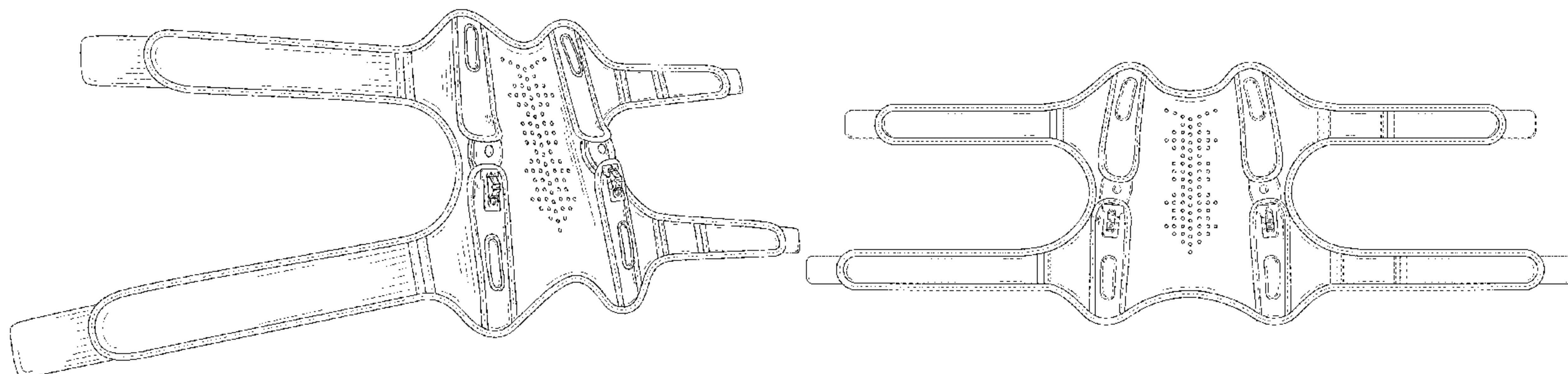
(57) **CLAIM**

The ornamental design for a knee bandage, as shown and described.

**DESCRIPTION**

FIG. 1 is a perspective view of a knee bandage showing my new design;  
FIG. 2 is a front elevational view thereof;  
FIG. 3 is a rear elevational view thereof;  
FIG. 4 is a left side elevational view thereof;  
FIG. 5 is a right side elevational view thereof;  
FIG. 6 is a top plan view thereof; and,  
FIG. 7 is a bottom plan view thereof.  
The broken lines depict stitching and form no part of the claimed design.

**1 Claim, 7 Drawing Sheets**



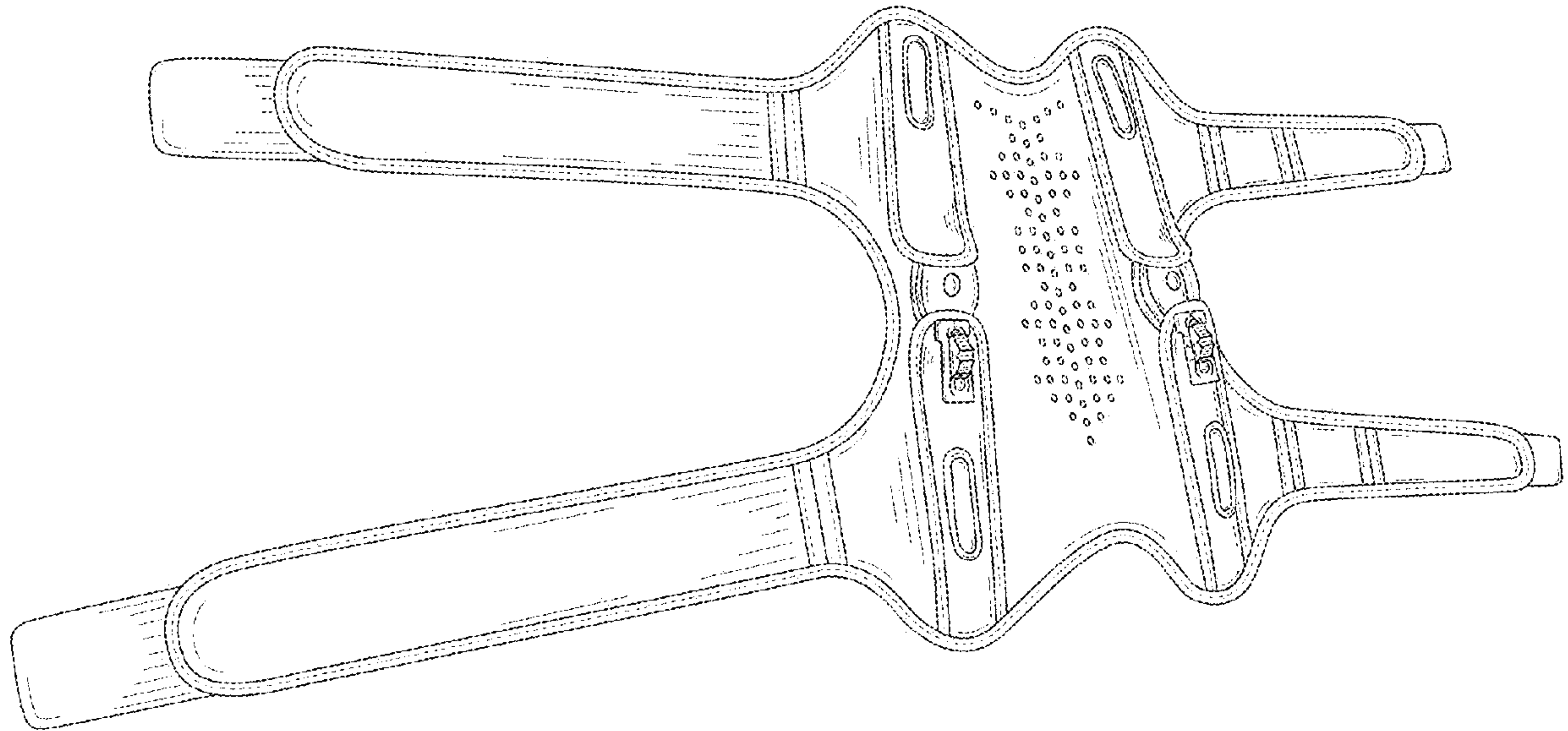


FIG.1

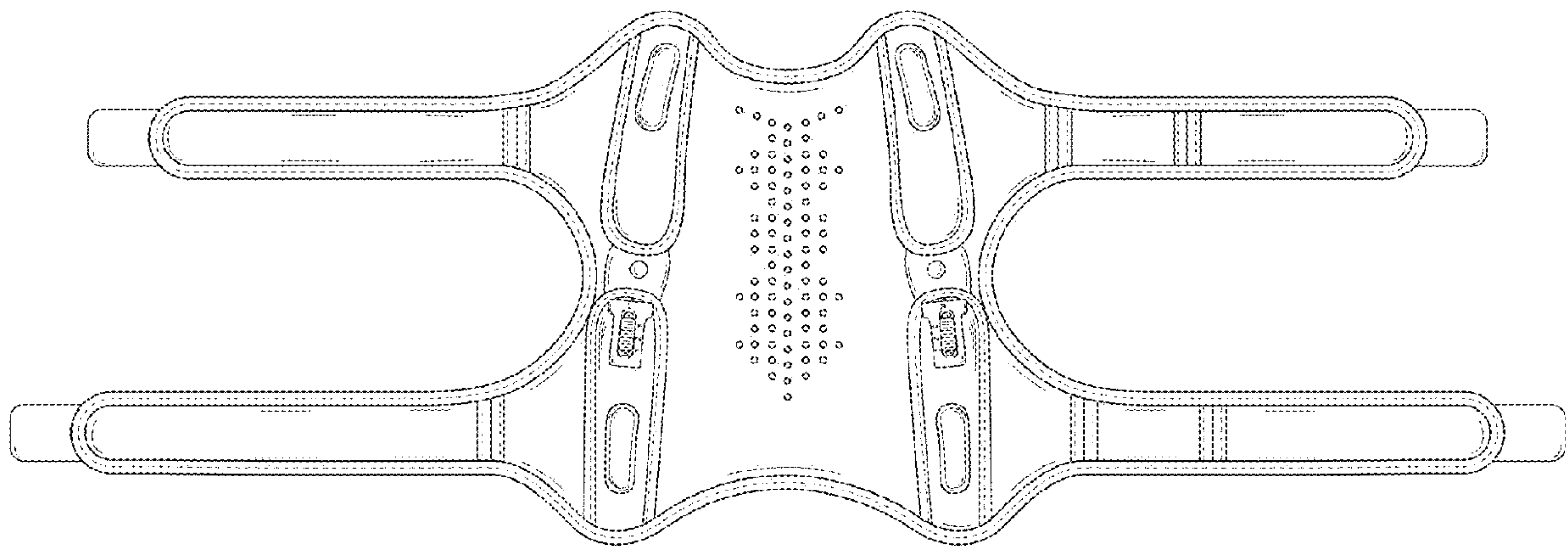


FIG.2

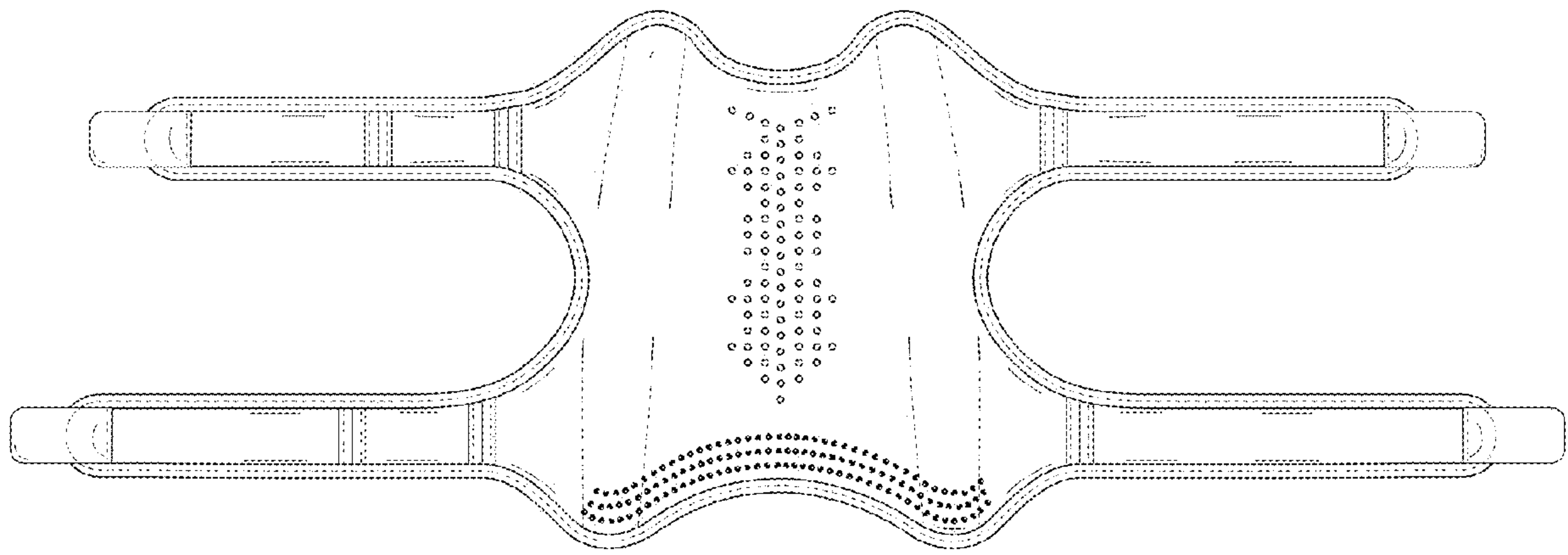


FIG.3



FIG.4



FIG.5

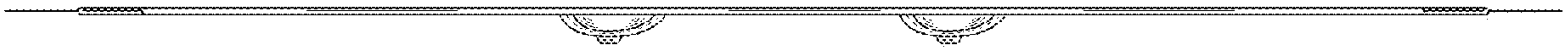


FIG.6

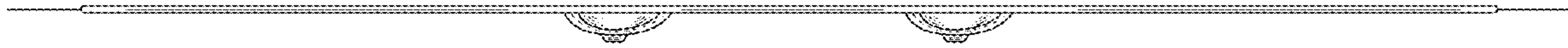


FIG.7