



US00D891625S

(12) **United States Design Patent** (10) **Patent No.:** **US D891,625 S**  
**Sharkus** (45) **Date of Patent:** **\*\* Jul. 28, 2020**

(54) **FOOTBALL SHAPED MEDICAL PATCH**

(71) Applicant: **ExpressionMed, LLC**, St. Paul, MN (US)

(72) Inventor: **Meghan Sharkus**, St. Paul, MN (US)

(73) Assignee: **ExpressionMed, LLC**, St. Paul, MN (US)

(\*\*) Term: **15 Years**

(21) Appl. No.: **29/605,382**

(22) Filed: **May 25, 2017**

(51) **LOC (12) Cl.** ..... **24-04**

(52) **U.S. Cl.**  
USPC ..... **D24/189**

(58) **Field of Classification Search**  
USPC ..... D24/127-130, 187, 188, 190  
CPC ..... A61F 13/023; A61F 13/0259; A61F 2013/00412; A61F 2013/00846; A61F 13/0203; A61B 5/0408; A61N 1/0456; Y10T 428/14; Y10T 428/15; Y10T 428/149; Y10T 428/1495; Y10T 428/1471; Y10T 428/24793; Y10T 428/24802; Y10T 428/1476; Y10T 428/24777; Y10T 428/2848

See application file for complete search history.

(56) **References Cited**

U.S. PATENT DOCUMENTS

4,917,112 A \* 4/1990 Kalt ..... A61F 13/023  
128/888  
D330,255 S \* 10/1992 Nelson, Jr. .... D24/189

D424,722 S \* 5/2000 Yuen ..... D26/26  
D448,513 S \* 9/2001 Sehl ..... D26/94  
D573,260 S \* 7/2008 Dunshee ..... D24/189  
D604,423 S \* 11/2009 Dunshee ..... D24/189  
D639,441 S \* 6/2011 Sferle ..... D24/189  
D746,996 S \* 1/2016 Karlsson ..... D24/189  
D778,451 S \* 2/2017 Takizawa ..... D24/187  
D808,024 S \* 1/2018 Moore ..... D24/189  
D838,374 S \* 1/2019 Bannwart ..... D24/189  
D841,172 S \* 2/2019 Bannwart ..... D24/189  
D851,261 S \* 6/2019 Ricks ..... D24/189  
D857,216 S \* 8/2019 Fan ..... D24/206  
2013/0310754 A1 \* 11/2013 Kutsch ..... A61M 25/02  
604/180  
2016/0067106 A1 \* 3/2016 Howell ..... A61F 13/0203  
602/52

\* cited by examiner

*Primary Examiner* — Karen E Kearney

*Assistant Examiner* — Carissa C Fitts

(74) *Attorney, Agent, or Firm* — Todd R. Fronck; Larkin Hoffman Daly & Lindgren Ltd.

(57) **CLAIM**

The ornamental design for a football shaped medical patch, as shown and described.

**DESCRIPTION**

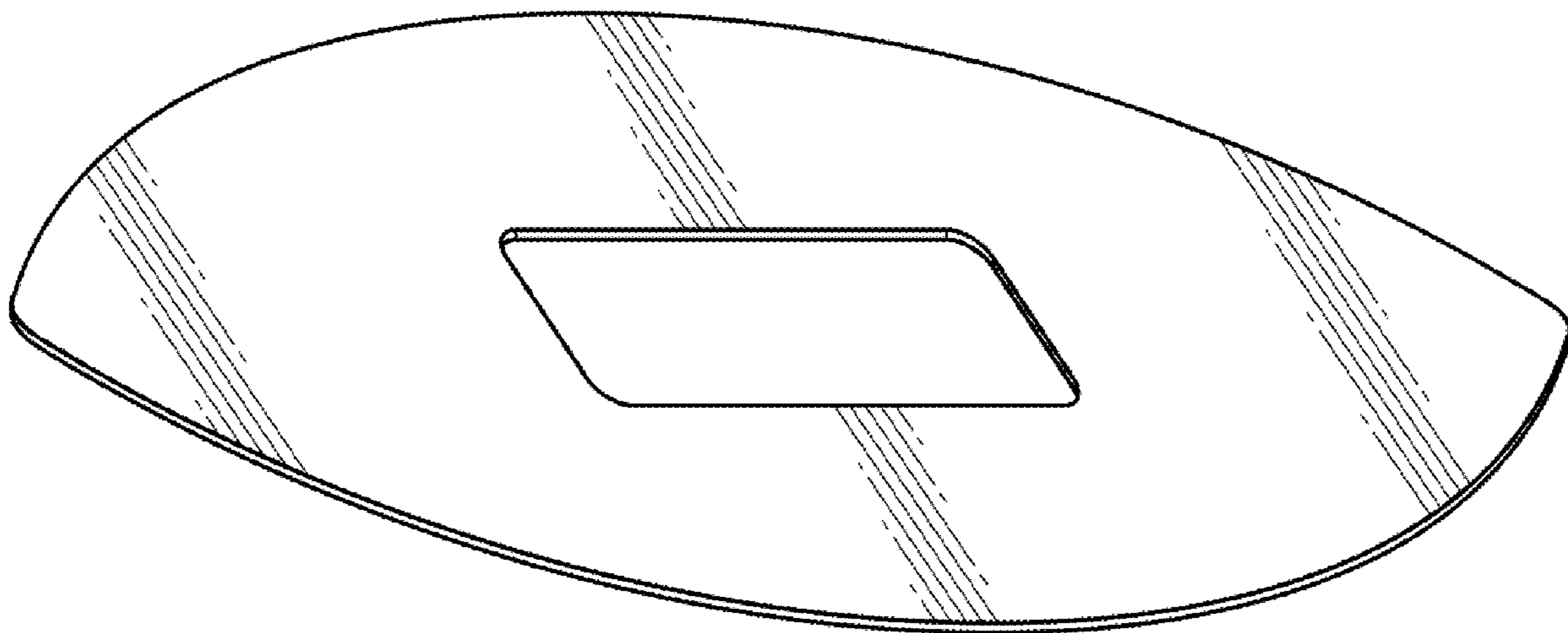
FIG. 1 is a front perspective view of the football shaped medical patch of the present design.

FIG. 2 is another front perspective view of the medical patch.

FIG. 3 is a top plan view of the medical patch; and,

FIG. 4 is a top side elevation view of the medical patch.

**1 Claim, 2 Drawing Sheets**



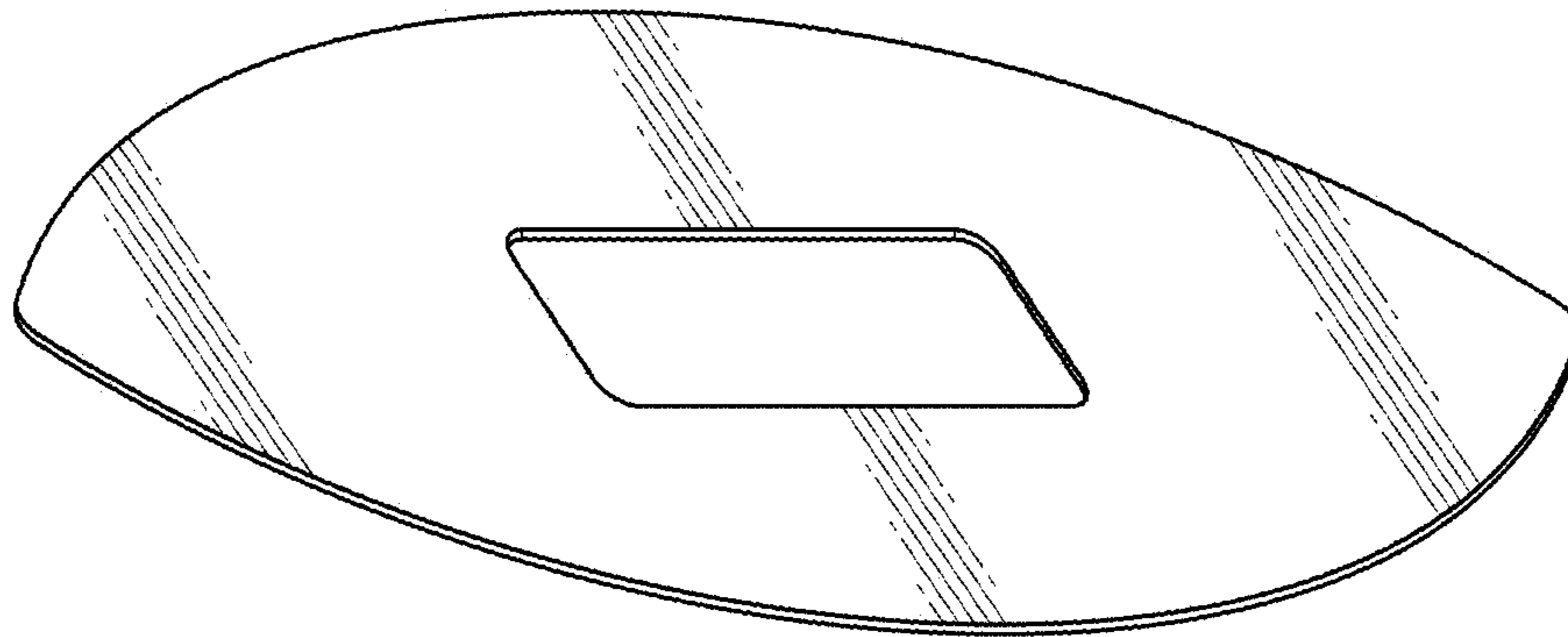


FIG. 1

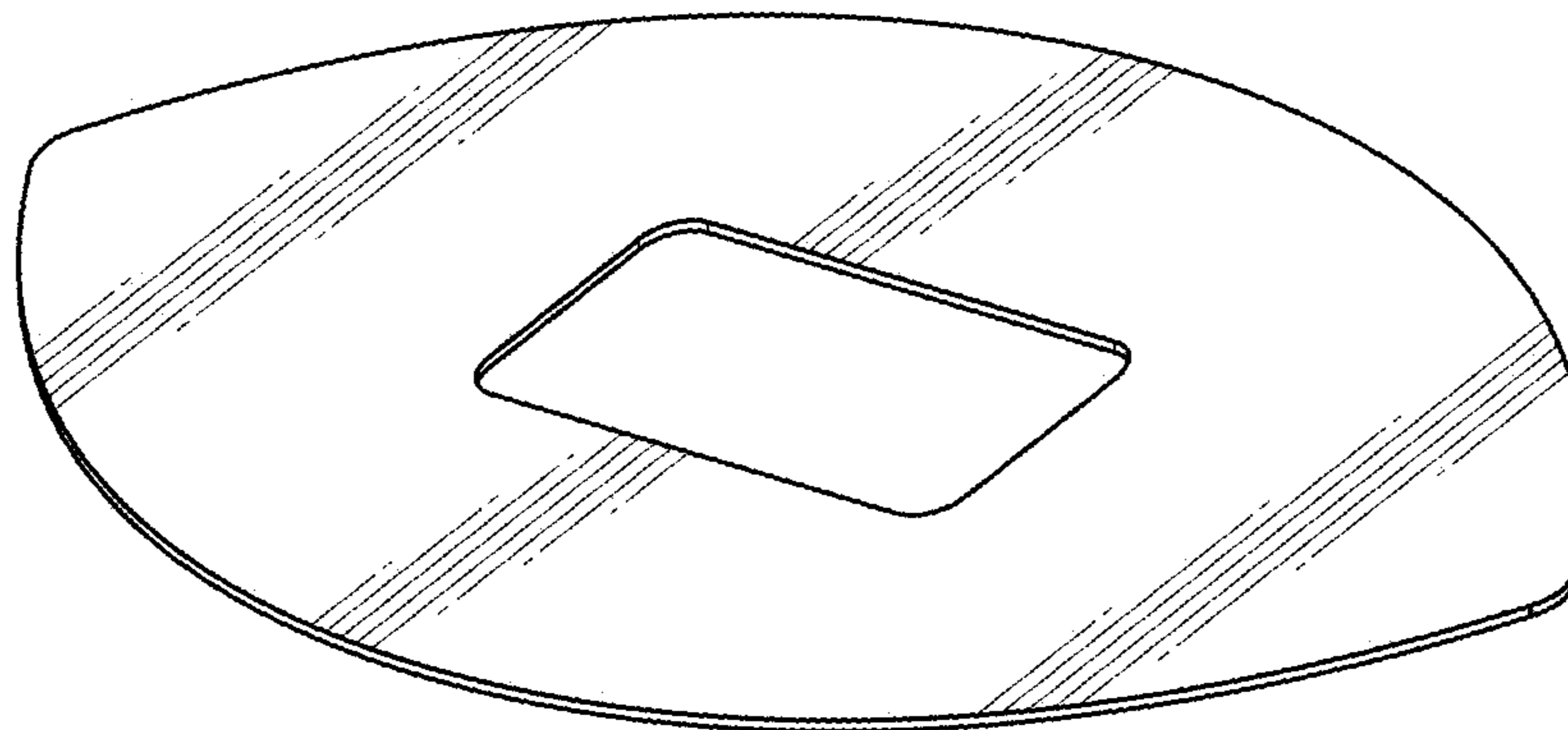


FIG. 2

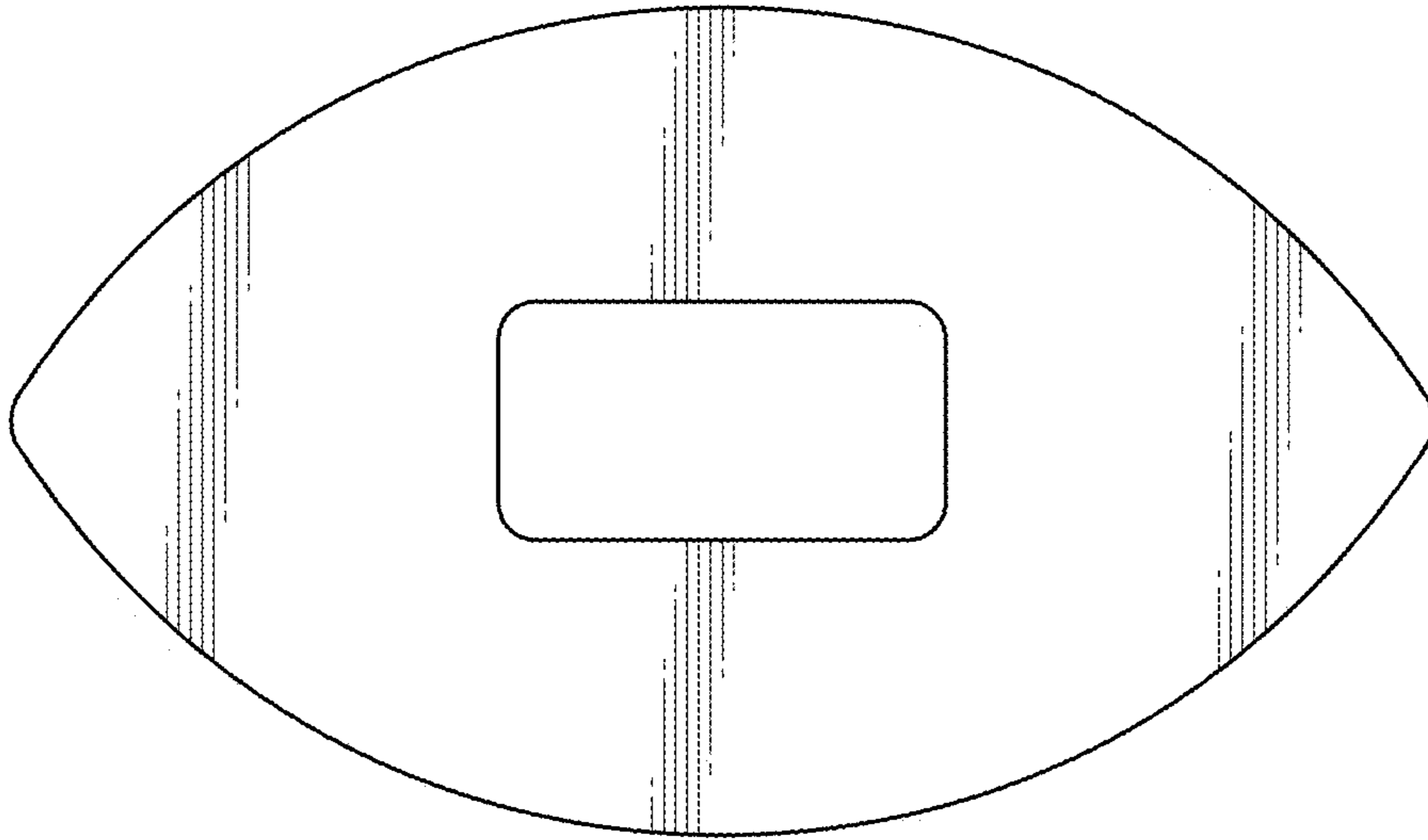


FIG. 3



FIG. 4