



US00D891622S

(12) **United States Design Patent**  
**Ye et al.**

(10) **Patent No.:** **US D891,622 S**  
(45) **Date of Patent:** **\*\* Jul. 28, 2020**

(54) **ELECTROCARDIOGRAPH RECORDER**  
(71) Applicant: **Shenzhen Carewell Electronics Co., Ltd.**, Nanshan District, Shenzhen (CN)  
(72) Inventors: **Guang Ye**, Shenzhen (CN); **Siyu Wang**, Shenzhen (CN)  
(73) Assignee: **Shenzhen Carewell Electronics Co., Ltd.**, Shenzhen (CN)

(\*\*) Term: **15 Years**

(21) Appl. No.: **29/685,312**

(22) Filed: **Mar. 27, 2019**

(30) **Foreign Application Priority Data**

Sep. 29, 2018 (CN) ..... 2018 3 0550530

(51) **LOC (12) Cl.** ..... **24-01**

(52) **U.S. Cl.**  
USPC ..... **D24/167**

(58) **Field of Classification Search**  
USPC ..... D24/107, 164-167, 186, 187; D10/75; D14/344  
CPC . A61B 5/0402; A61B 5/0404; A61B 5/04085; A61B 5/0416; A61B 5/0432; A61B 5/044; A61B 5/6805; A61B 5/6823; A61B 2560/0412; A61B 2560/0462  
See application file for complete search history.

(56) **References Cited**

U.S. PATENT DOCUMENTS

D714,942 S *	10/2014	Hwang	.....	D24/167
D717,680 S *	11/2014	Park	.....	D10/70
D718,866 S *	12/2014	Law	.....	D24/167
D718,868 S *	12/2014	Schroderus	.....	D24/167
D773,056 S *	11/2016	Vlach	.....	D24/186
D794,805 S *	8/2017	Kranz	.....	D24/186
D803,410 S *	11/2017	Im	.....	D24/187
D830,555 S *	10/2018	Lin	.....	D24/167
2013/0109946 A1 *	5/2013	Shim	.....	A61B 5/0006 600/386

\* cited by examiner

*Primary Examiner* — Anhdao Doan

(74) *Attorney, Agent, or Firm* — TraskBritt

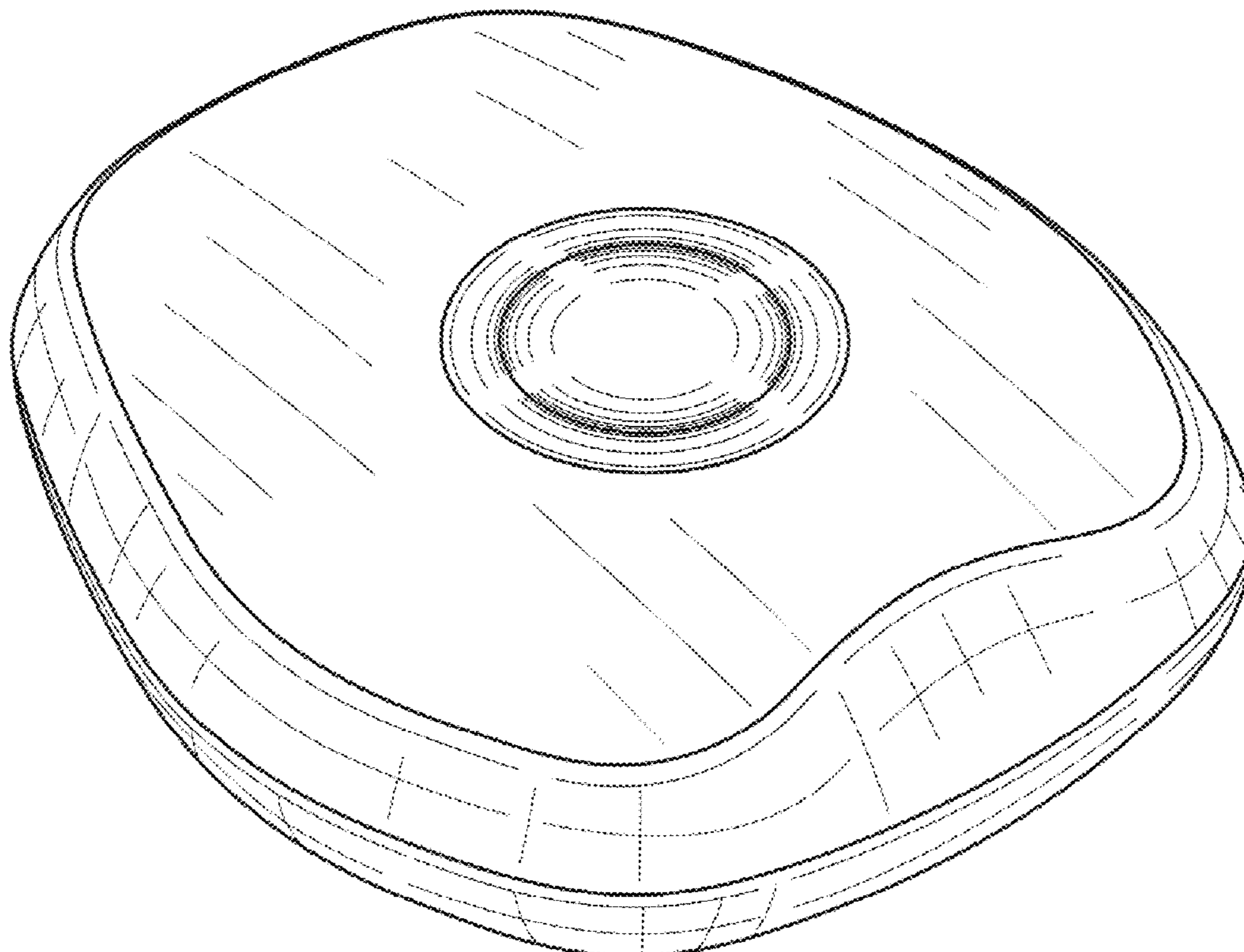
(57) **CLAIM**

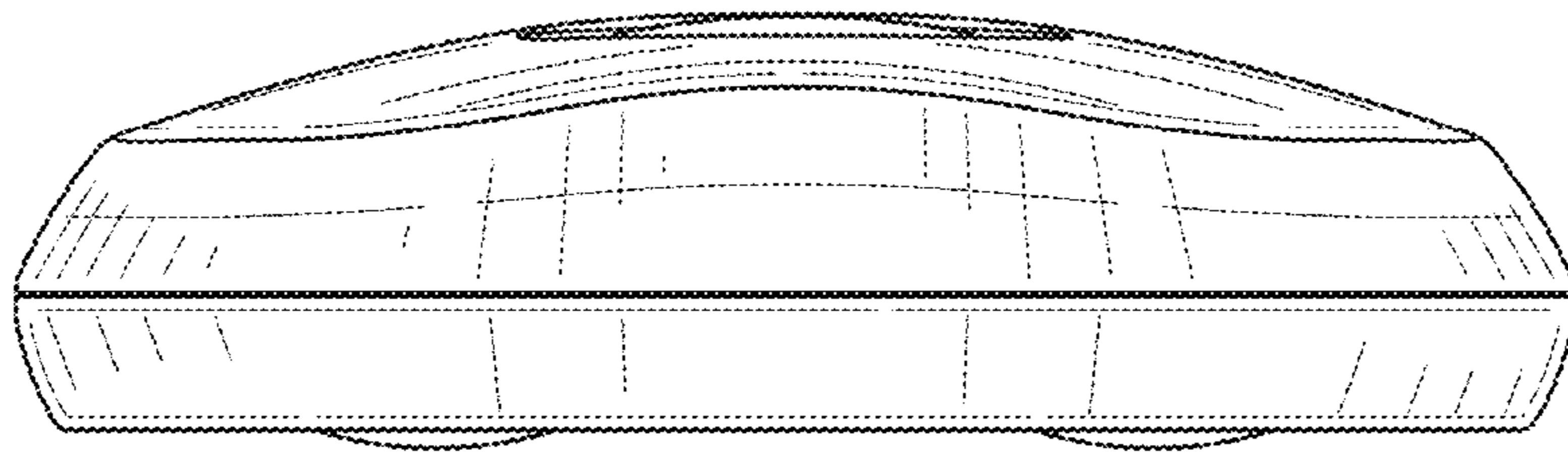
The ornamental design for an electrocardiograph recorder, as shown and described.

**DESCRIPTION**

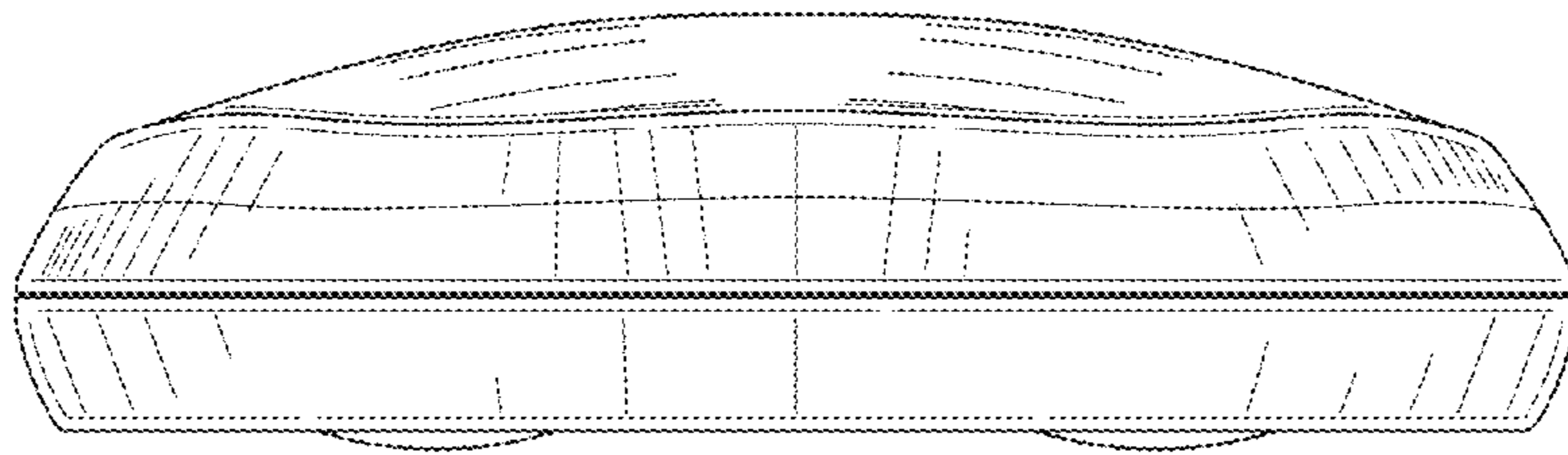
FIG. 1 is a front view of an electrocardiograph recorder showing our new design;  
FIG. 2 is a back view thereof;  
FIG. 3 is a left side view thereof;  
FIG. 4 is a right side view thereof;  
FIG. 5 is a top view thereof;  
FIG. 6 is a bottom view thereof;  
FIG. 7 is a top perspective view thereof; and,  
FIG. 8 is a bottom perspective view thereof.

**1 Claim, 8 Drawing Sheets**

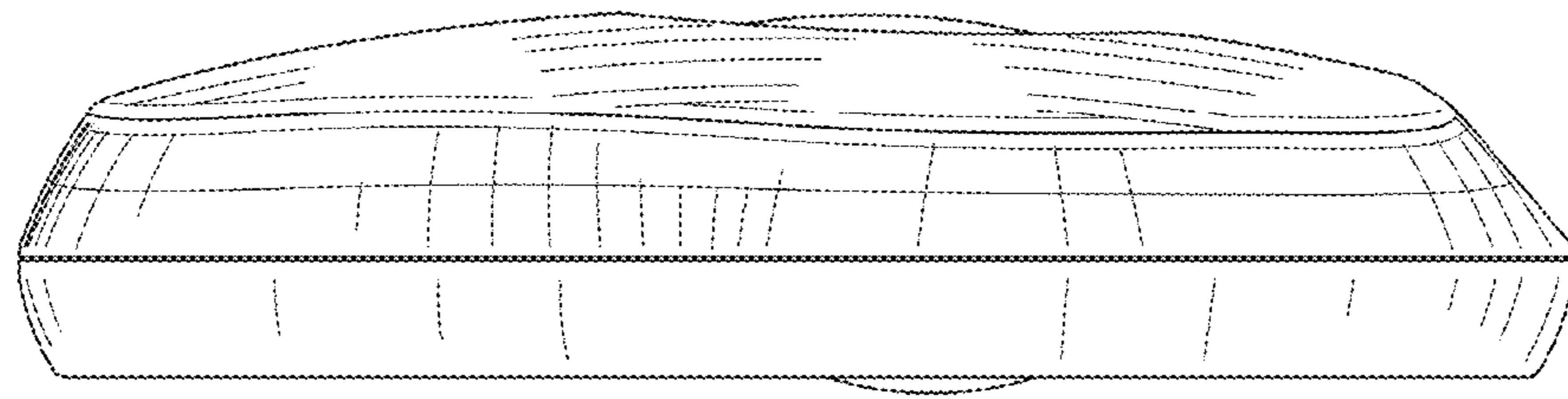




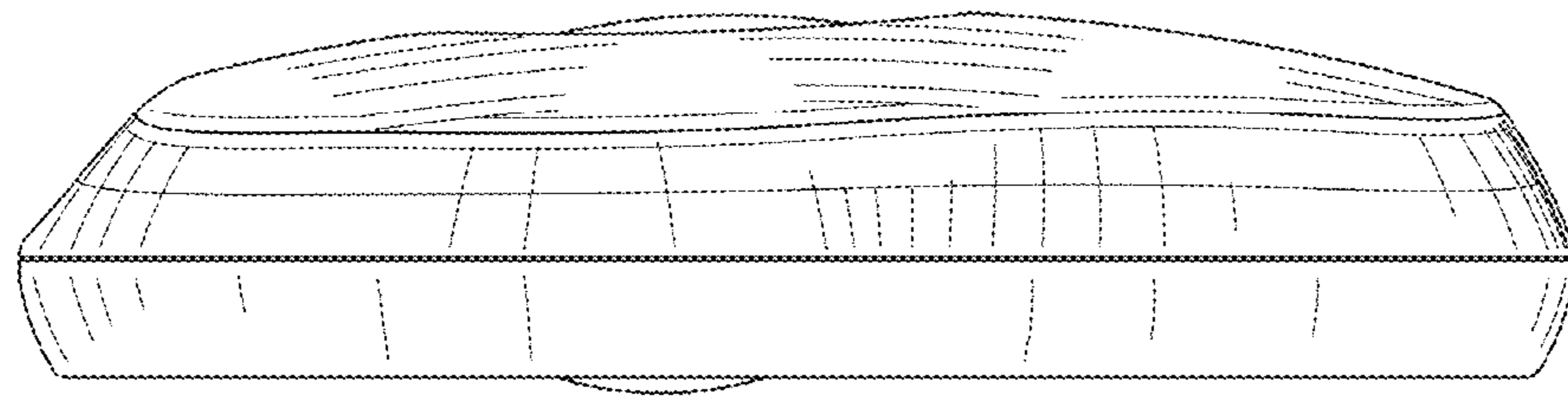
**FIG. 1**



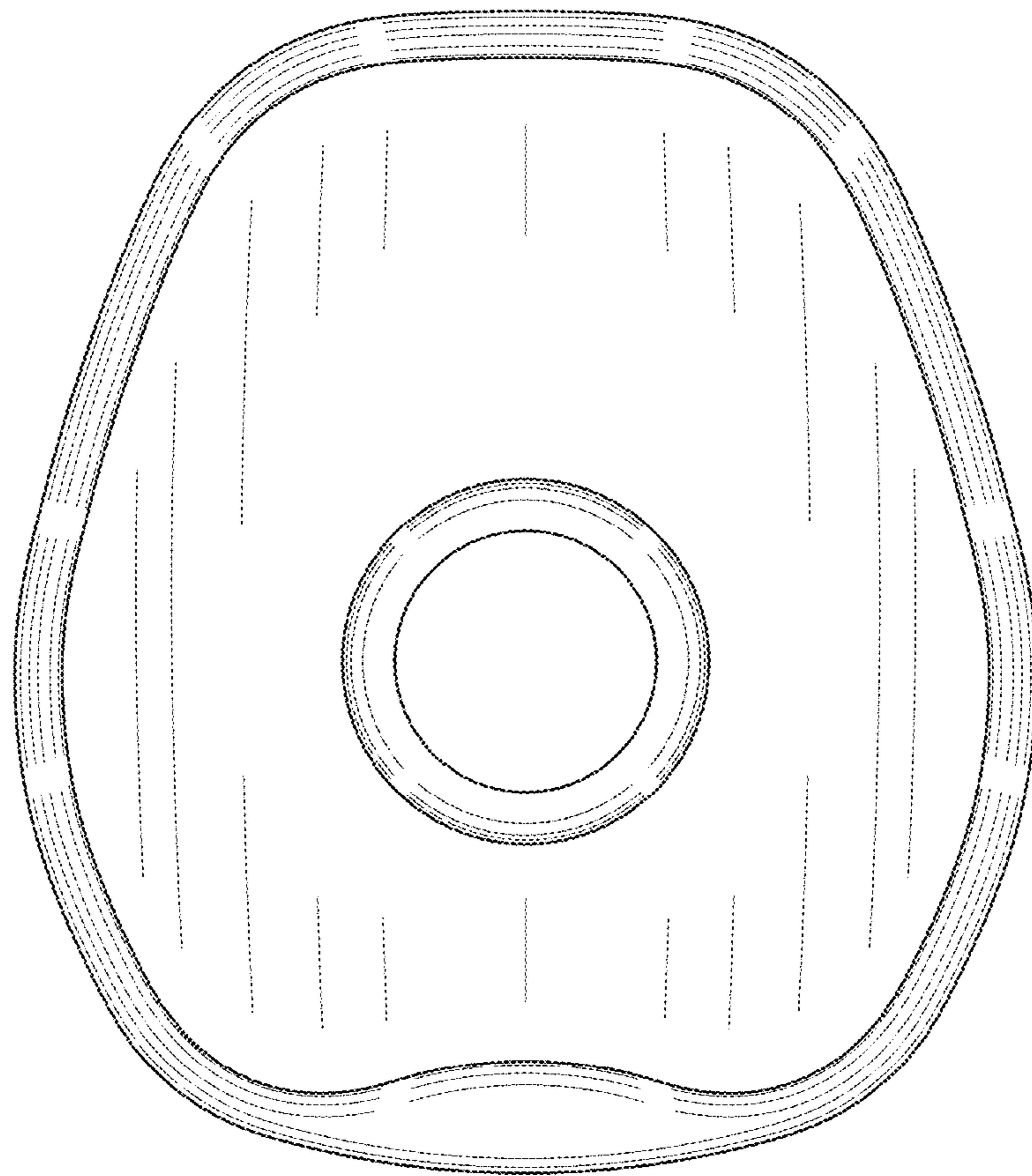
**FIG. 2**



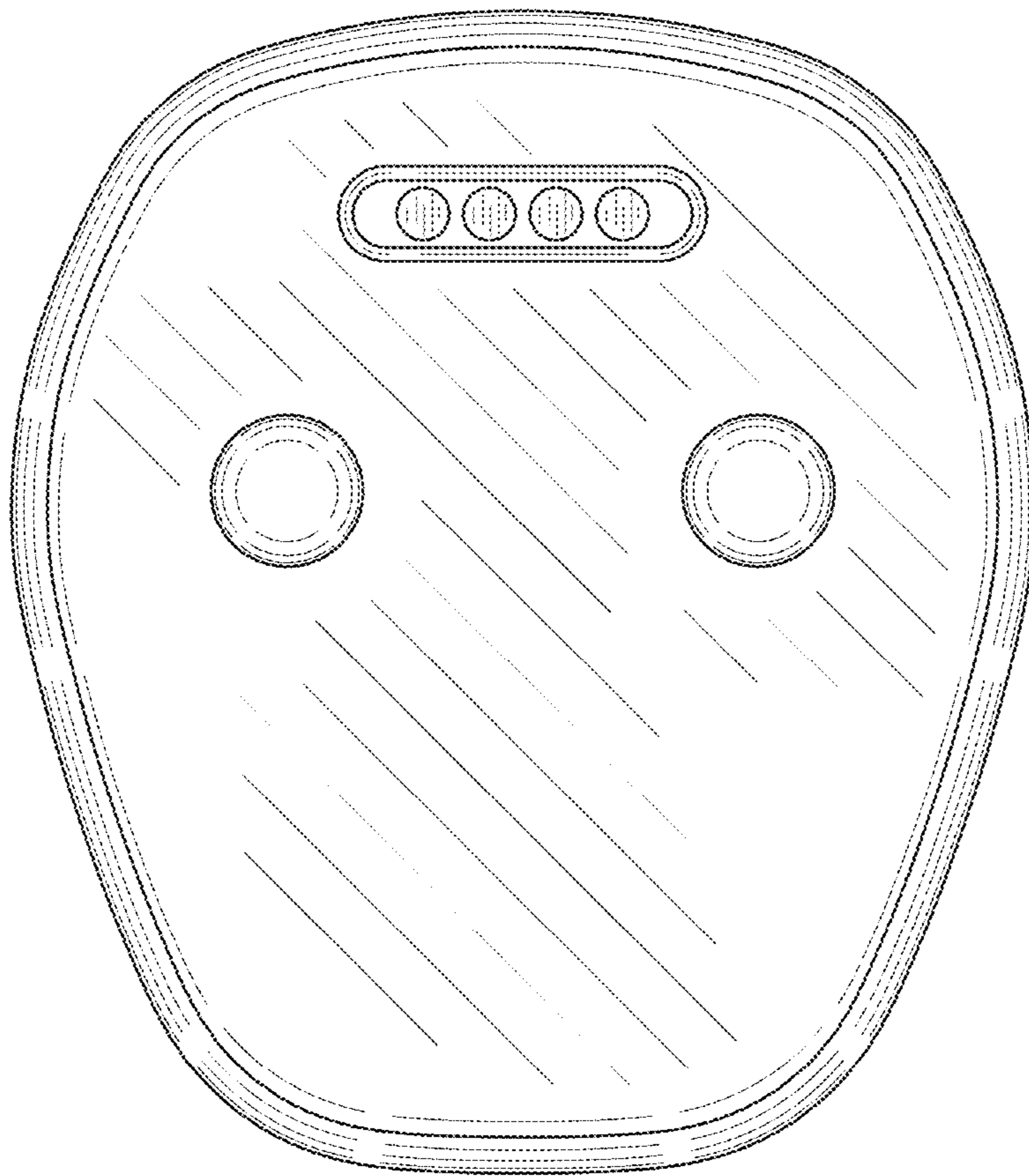
**FIG. 3**



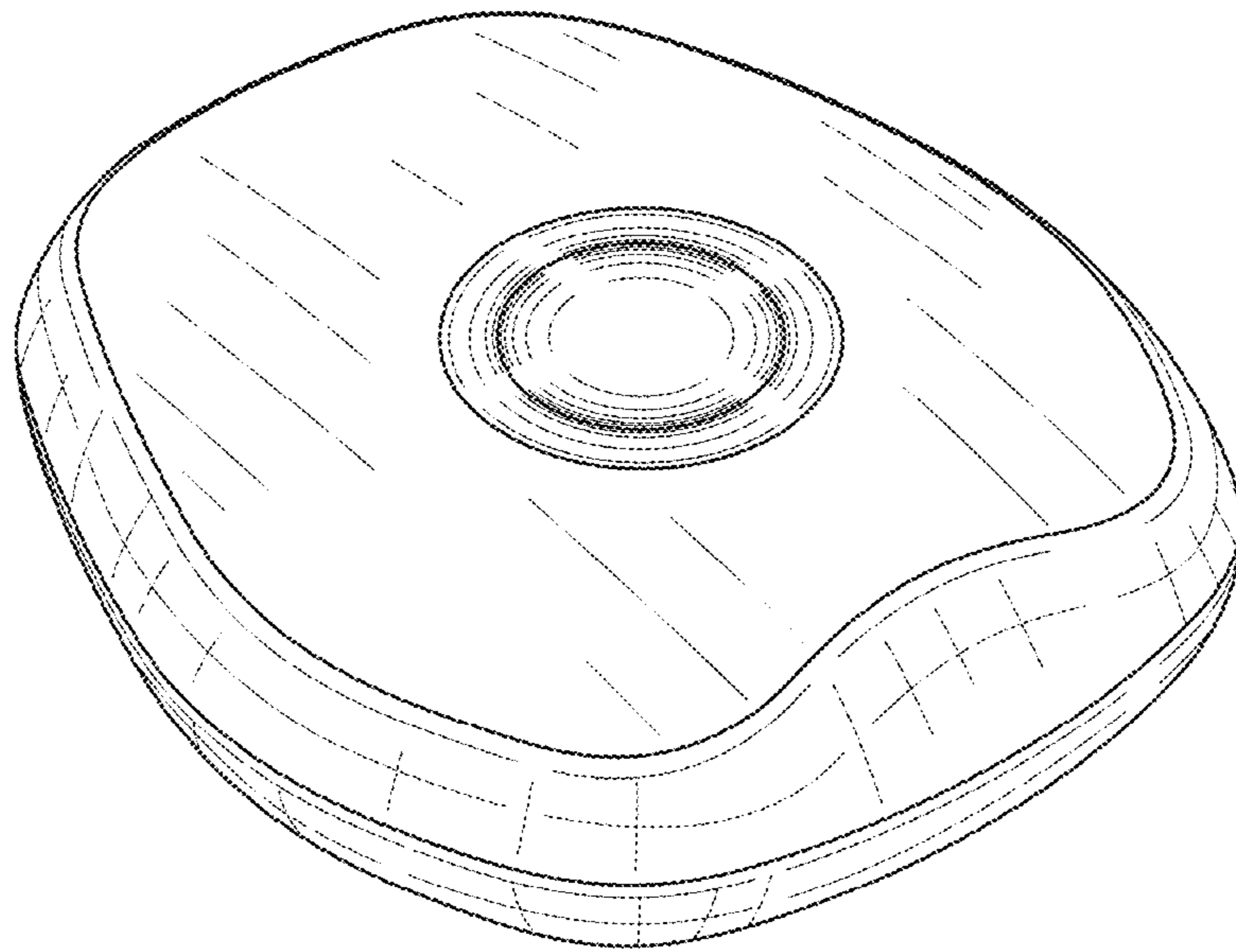
**FIG. 4**



**FIG. 5**

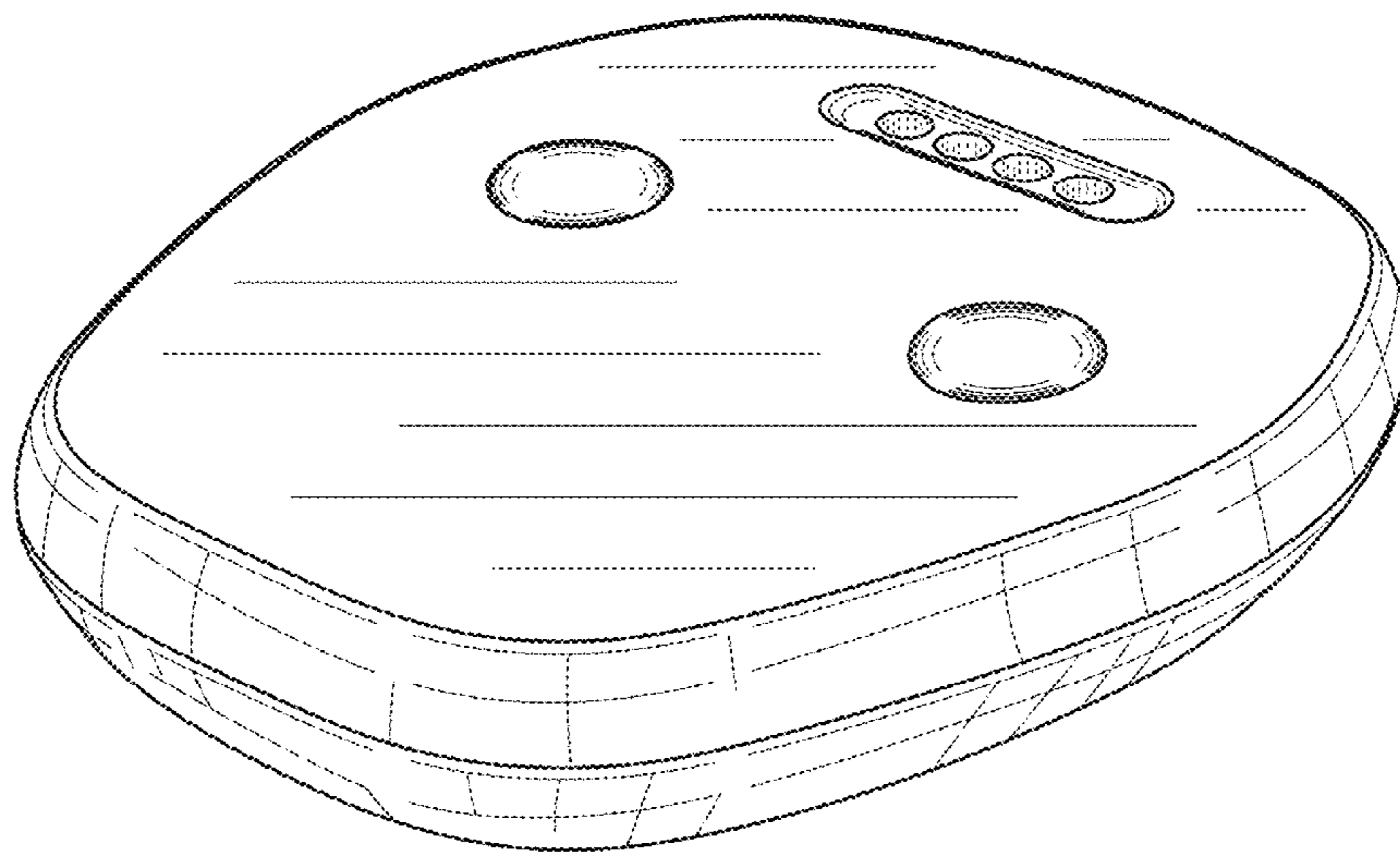


**FIG. 6**



**FIG. 7**





**FIG. 8**