



US00D891621S

(12) **United States Design Patent** (10) **Patent No.:** **US D891,621 S**
Ballsieper (45) **Date of Patent:** **** Jul. 28, 2020**

(54) **DEVICE FOR PROTECTION AGAINST X-RAYS**

(71) Applicant: **MAVIG GmbH**, Munich (DE)

(72) Inventor: **Barbara Ballsieper**, Munich (DE)

(73) Assignee: **MAVIG GMBH**, Munich (DE)

(**) Term: **15 Years**

(21) Appl. No.: **29/658,921**

(22) Filed: **Aug. 3, 2018**

D629,109 S *	12/2010	Phillips	D24/158
D751,710 S	3/2016	Ballsieper		
D771,258 S	11/2016	Ballsieper		
D772,414 S	11/2016	Ballsieper		
D772,415 S	11/2016	Ballsieper		
D775,340 S	12/2016	Ballsieper		
D810,943 S	2/2018	Ballsieper		
D818,125 S	5/2018	Ballsieper et al.		
D830,554 S	10/2018	Ballsieper		
D842,995 S *	3/2019	Ballsieper	D24/158
2013/0299723 A1 *	11/2013	Murase	A61B 6/107 250/515.1
2014/0048730 A1 *	2/2014	Niedzielski	A61B 6/107 250/519.1

(Continued)

Related U.S. Application Data

(62) Division of application No. 29/618,803, filed on Sep. 25, 2017, now Pat. No. Des. 842,995.

Foreign Application Priority Data

Mar. 24, 2017	(EM)	003822238-0001
Mar. 24, 2017	(EM)	003822238-0002
Mar. 24, 2017	(EM)	003822238-0003
Mar. 24, 2017	(EM)	003822238-0004

(51) **LOC (12) Cl.** **24-01**

(52) **U.S. Cl.**
USPC **D24/158**

(58) **Field of Classification Search**
USPC D24/107, 158-161, 185, 186, 187, 231;
D29/100, 104-107
CPC .. A61B 6/107; G21F 3/00; G21F 3/02; G21Y
2002/501; A61N 2005/1094
See application file for complete search history.

(56) **References Cited**

U.S. PATENT DOCUMENTS

D300,945 S *	5/1989	Fleming	D24/158
5,419,342 A *	5/1995	Scott	G21F 3/02 128/846

OTHER PUBLICATIONS

Radiation Protection, AADCO Medical, Inc, <<http://aadcomed.com/protection.html>>, 2018.

(Continued)

Primary Examiner — Anhdao Doan

(74) *Attorney, Agent, or Firm* — Hodgson Russ LLP

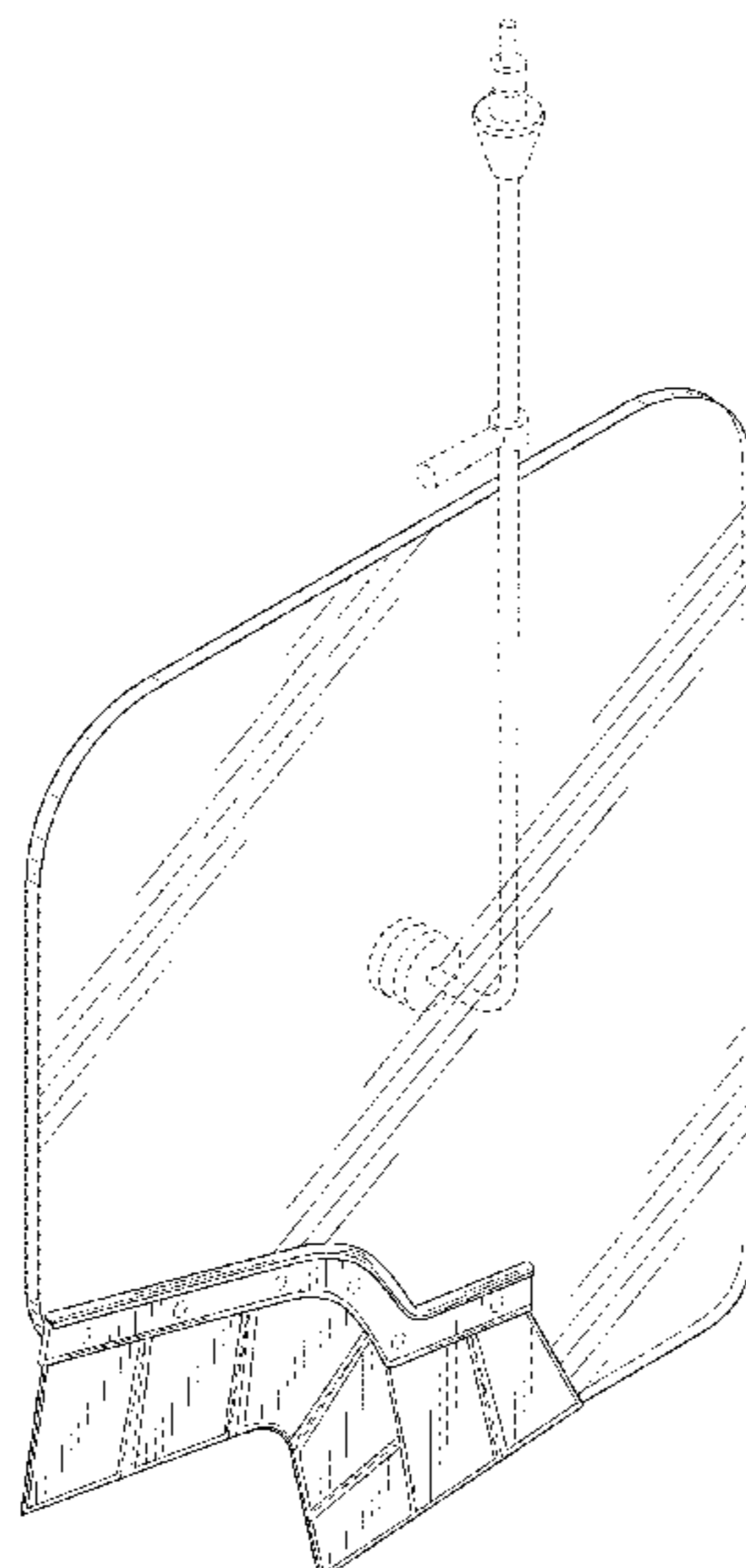
(57) **CLAIM**

The ornamental design for a device for protection against X-rays, as shown and described.

DESCRIPTION

FIG. 1 is a perspective view of a device for protection against X-rays, showing my new design; FIG. 2 is a front elevation view thereof; FIG. 3 is a rear elevation view thereof; FIG. 4 is a left side elevation view thereof; FIG. 5 is a right side elevation view thereof; FIG. 6 is a top plan view thereof; and, FIG. 7 is a bottom plan view thereof. The broken lines illustrate portions of the device for protection against X-rays that form no part of the claimed design.

1 Claim, 5 Drawing Sheets



(56)

References Cited

U.S. PATENT DOCUMENTS

2016/0317110 A1* 11/2016 Rees A61B 6/107

OTHER PUBLICATIONS

X-Ray Protective Shields, BJ Huaren, <<http://bjhuaren.com/html/Support/Shields.html>>, 2008.

XpRay Overhead Shields, Kenex (Electro-Medical) Limited, <<http://www.kenex.co.uk/products/x-ray-shielding/x-ray-overhead-shields>>, 2017.

X-Ray Protective Shields, MAVIG GmbH, <<https://mavig.com/system-solutions/x-ray-protective-shields/>>, 2018.

* cited by examiner

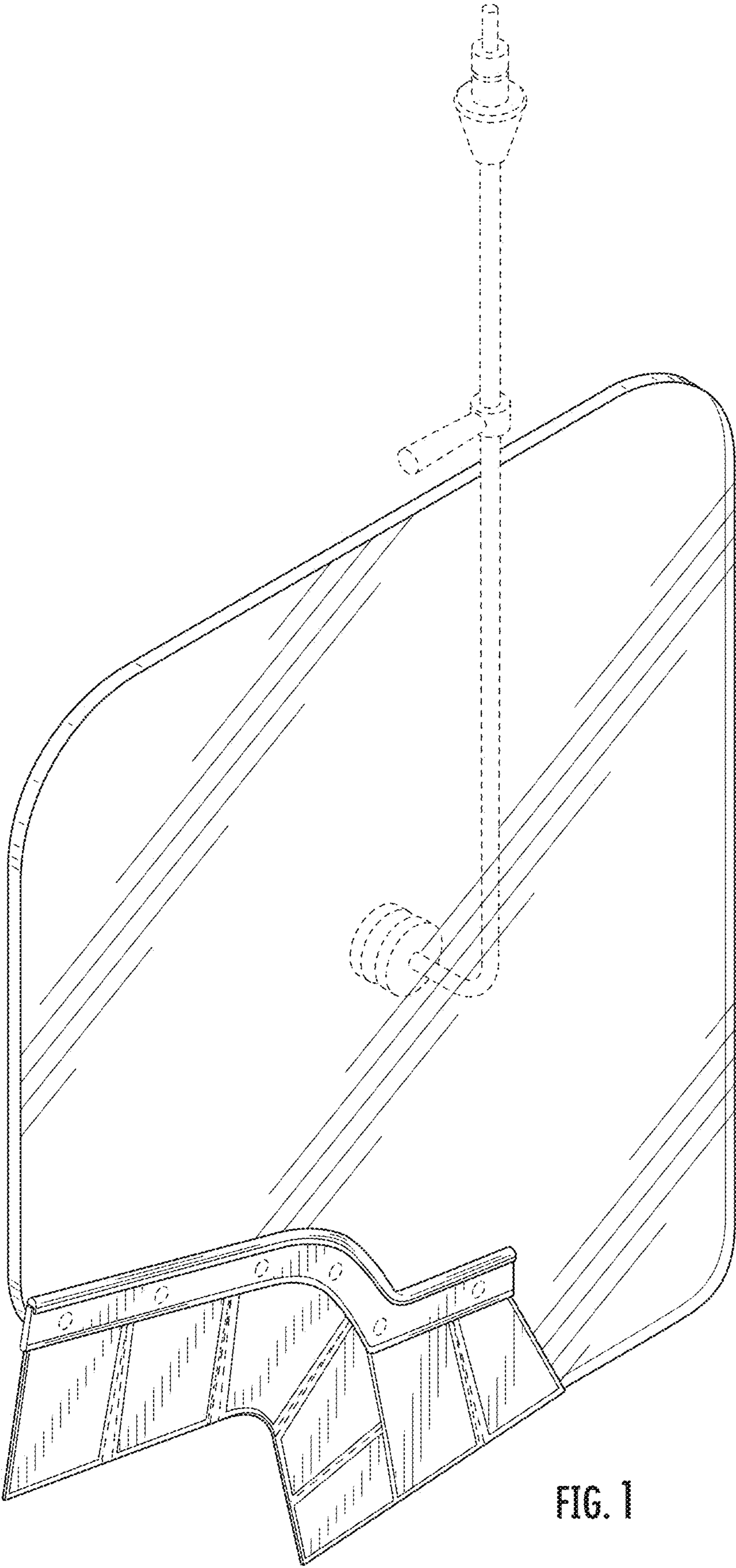


FIG. 1

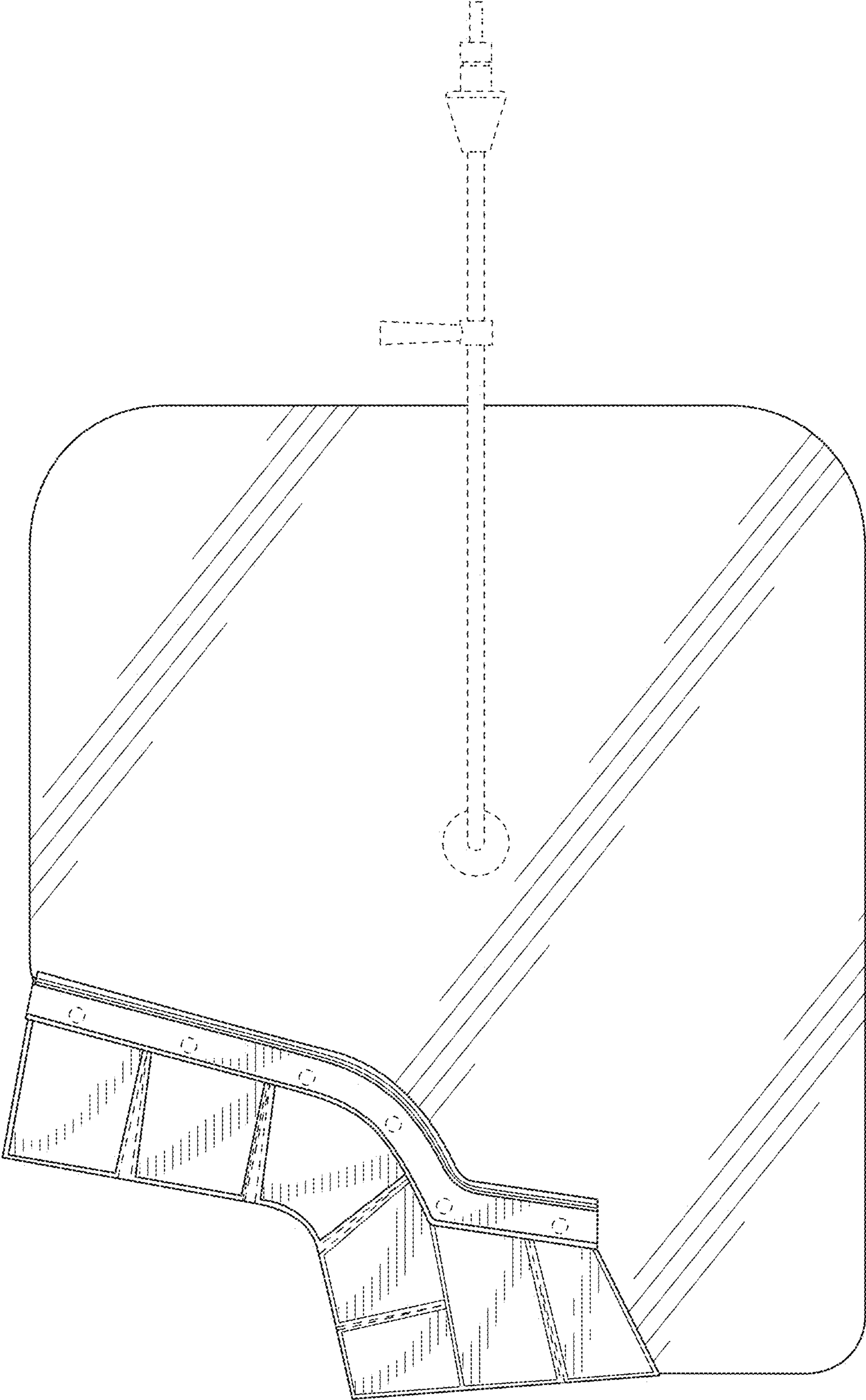


FIG. 2

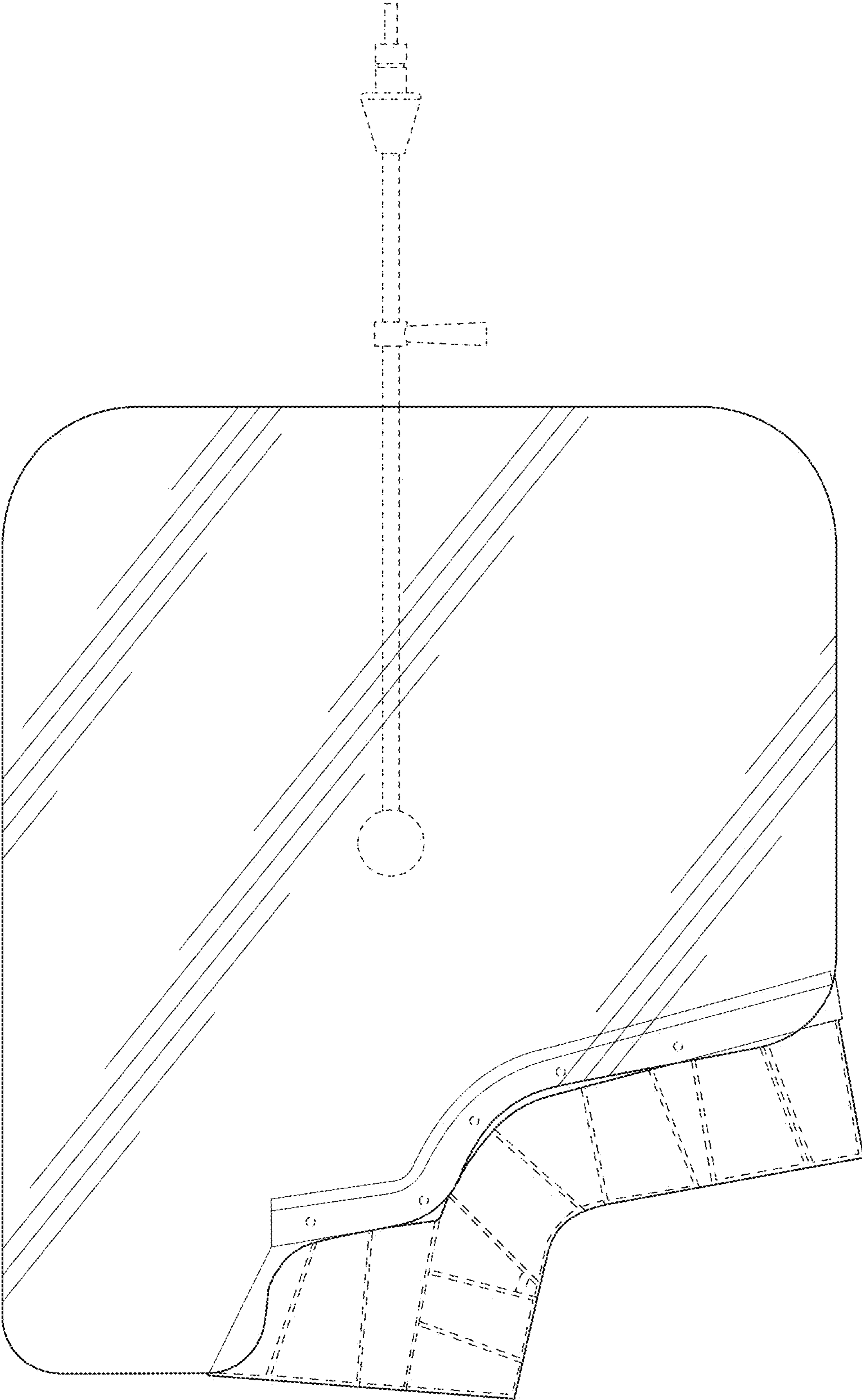


FIG. 3

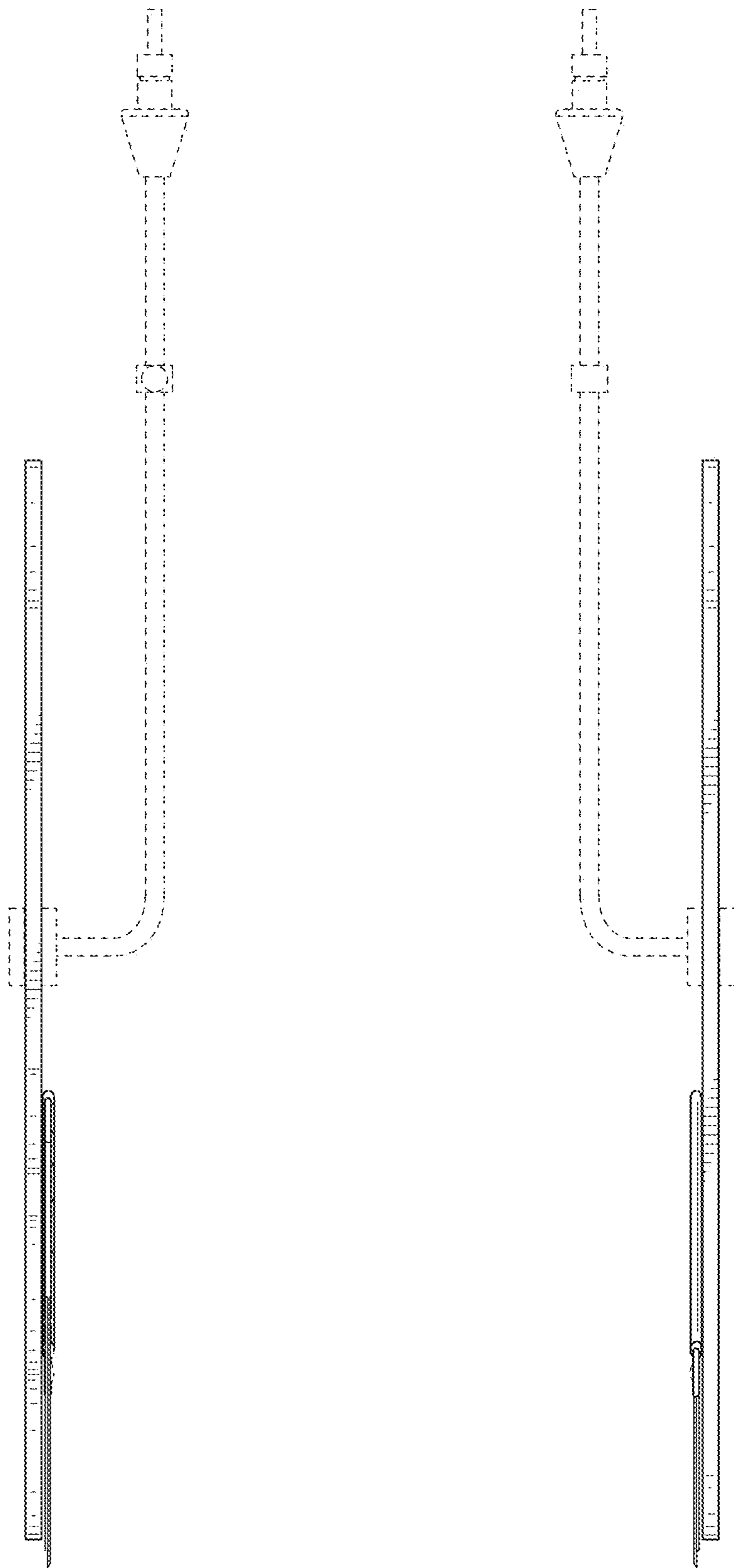


FIG. 4

FIG. 5

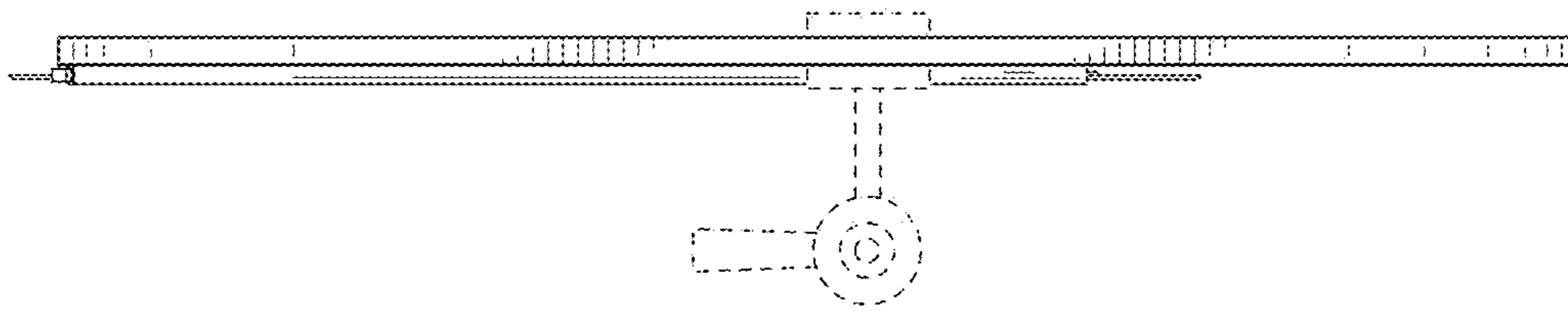


FIG. 6

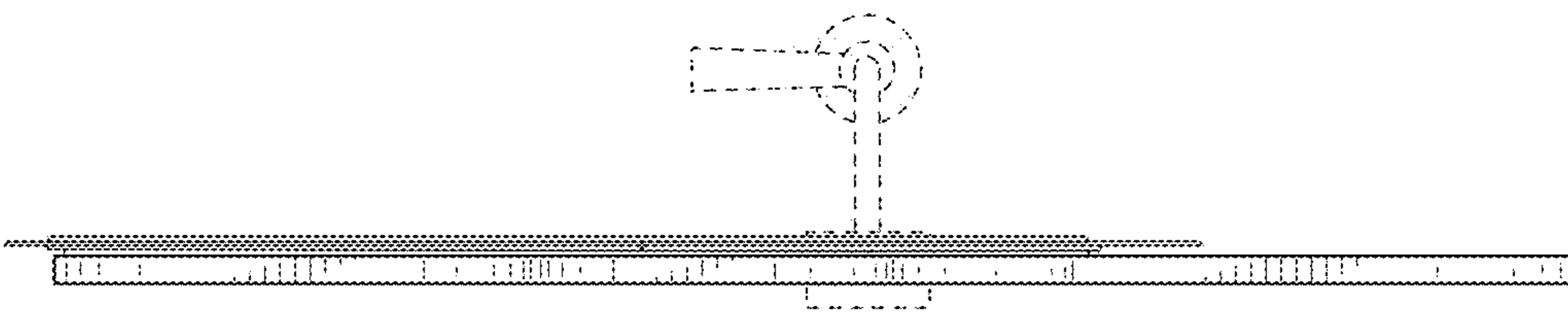


FIG. 7