



US00D891620S

(12) **United States Design Patent**
Ben Shabat et al.

(10) **Patent No.:** **US D891,620 S**
(45) **Date of Patent:** **** Jul. 28, 2020**

- (54) **DENTAL IMPLANT**
- (71) Applicant: **TAV MEDICAL LTD., Shlomi (IL)**
- (72) Inventors: **Meir Ben Shabat, Shlomi (IL); Oded Ben Shabat, Shlomi (IL); Dan Ben Shabat, Shlomi (IL)**
- (73) Assignee: **TAV MEDICAL LTD., Shlomi**
- (**) Term: **15 Years**
- (21) Appl. No.: **29/637,821**
- (22) Filed: **Feb. 22, 2018**
- (51) **LOC (12) Cl.** **24-03**
- (52) **U.S. Cl.**
USPC **D24/156**
- (58) **Field of Classification Search**
USPC D24/155-156
CPC A61C 8/00; A61C 8/0089; A61C 8/0069;
A61C 8/0054; A61C 8/0096; A61C
8/0039; A61C 8/0063; A61C 8/006; A61C
8/0001; A61C 8/0012; A61C 8/0075;
A61C 8/0083; A61C 13/225
See application file for complete search history.

D588,700 S *	3/2009	Anitua Aldecoa	D24/156
D604,851 S *	11/2009	Ishikawa	D24/156
D616,097 S *	5/2010	Johnson	D24/156
D808,016 S *	1/2018	Kim	D24/156
D808,526 S *	1/2018	Kim	D24/156
9,861,455 B2 *	1/2018	Tatum, Jr.	A61C 8/0022
2008/0233537 A1 *	9/2008	Amber	A61C 8/0001 433/173

- (56) **References Cited**
U.S. PATENT DOCUMENTS
D443,361 S * 6/2001 Hurson D24/156
D446,859 S 8/2001 Hurson
D556,907 S * 12/2007 Rassoli D24/156
D562,454 S * 2/2008 Rassoli D24/156
D582,042 S * 12/2008 Purga D24/156

OTHER PUBLICATIONS

<https://www.nobelbiocare.com/se/en/home/company/media—news/articles/news/new-metal-free-two-piece-ceramic-implant-solution.html>, Jun. 25, 2018.

* cited by examiner

Primary Examiner — Charles D Hanson
(74) *Attorney, Agent, or Firm* — The Roy Gross Law Firm, LLC; Roy Gross

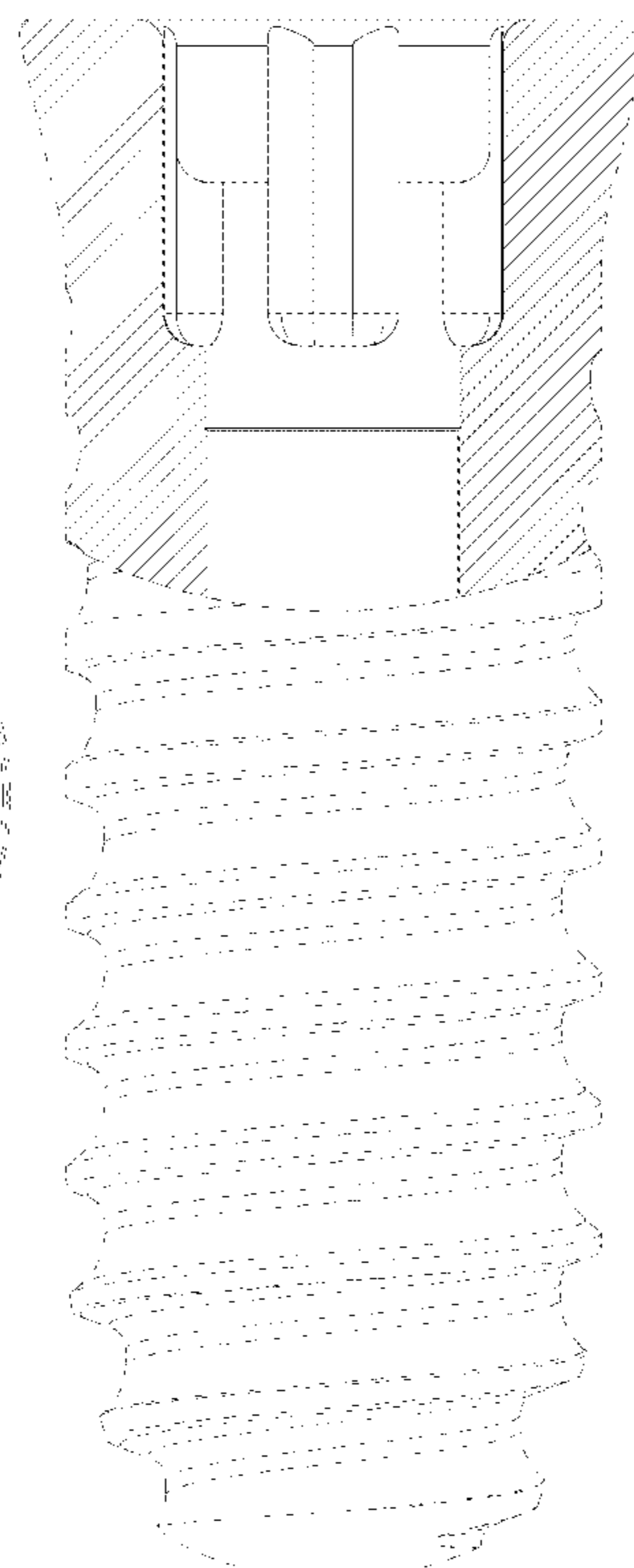
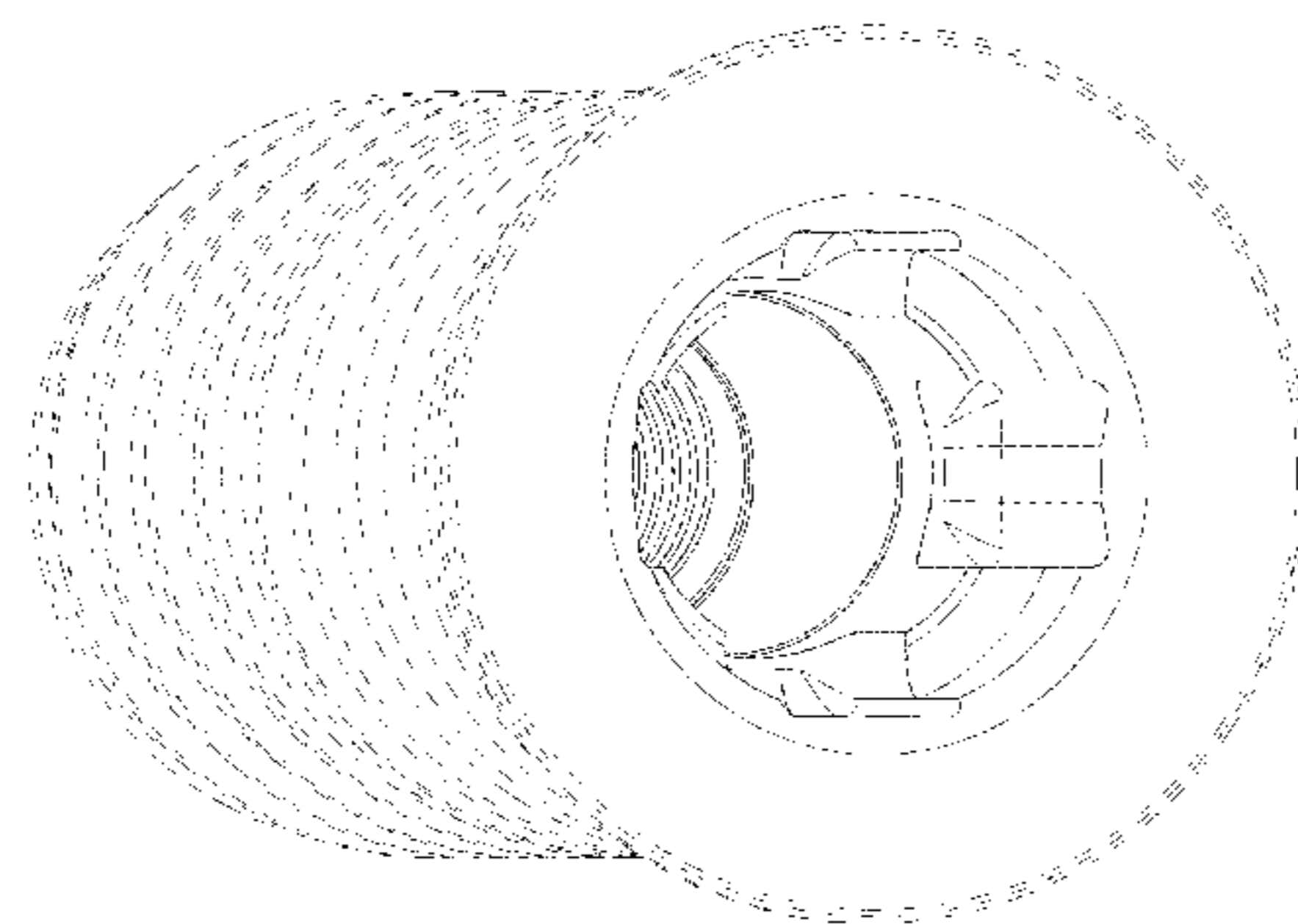
(57) **CLAIM**

The ornamental design for dental implant, as shown and described.

DESCRIPTION

FIG. 1 is a left side isometric view of a dental implant in accordance with the new design;
FIG. 2 is a top view thereof;
FIG. 3 is a right side isometric view thereof;
FIG. 4 is a front view thereof;
FIG. 5 is a bottom view thereof;
FIG. 6 is a left side view thereof; and,
FIG. 7 is a right side view thereof.

1 Claim, 7 Drawing Sheets



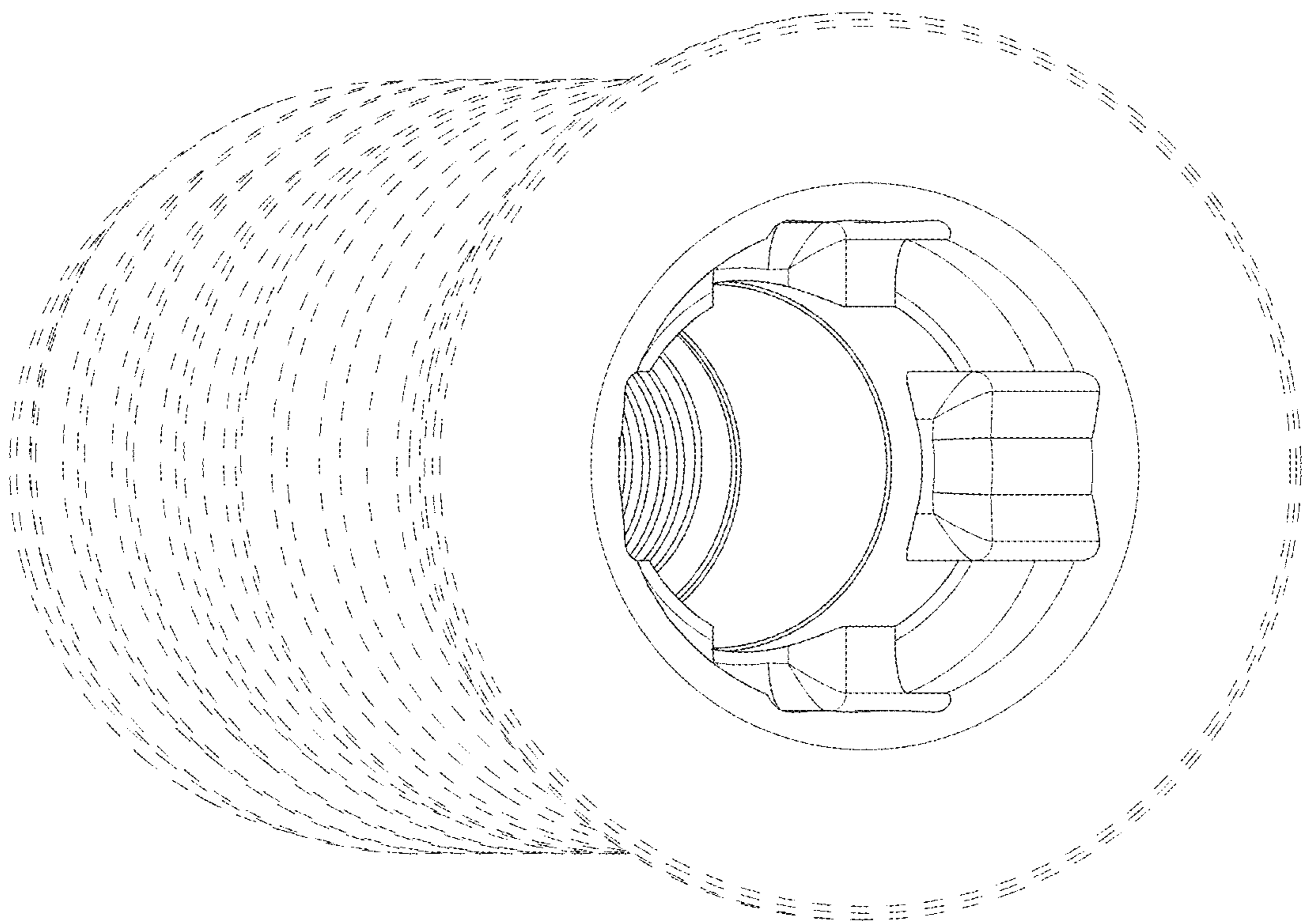


FIG. 1

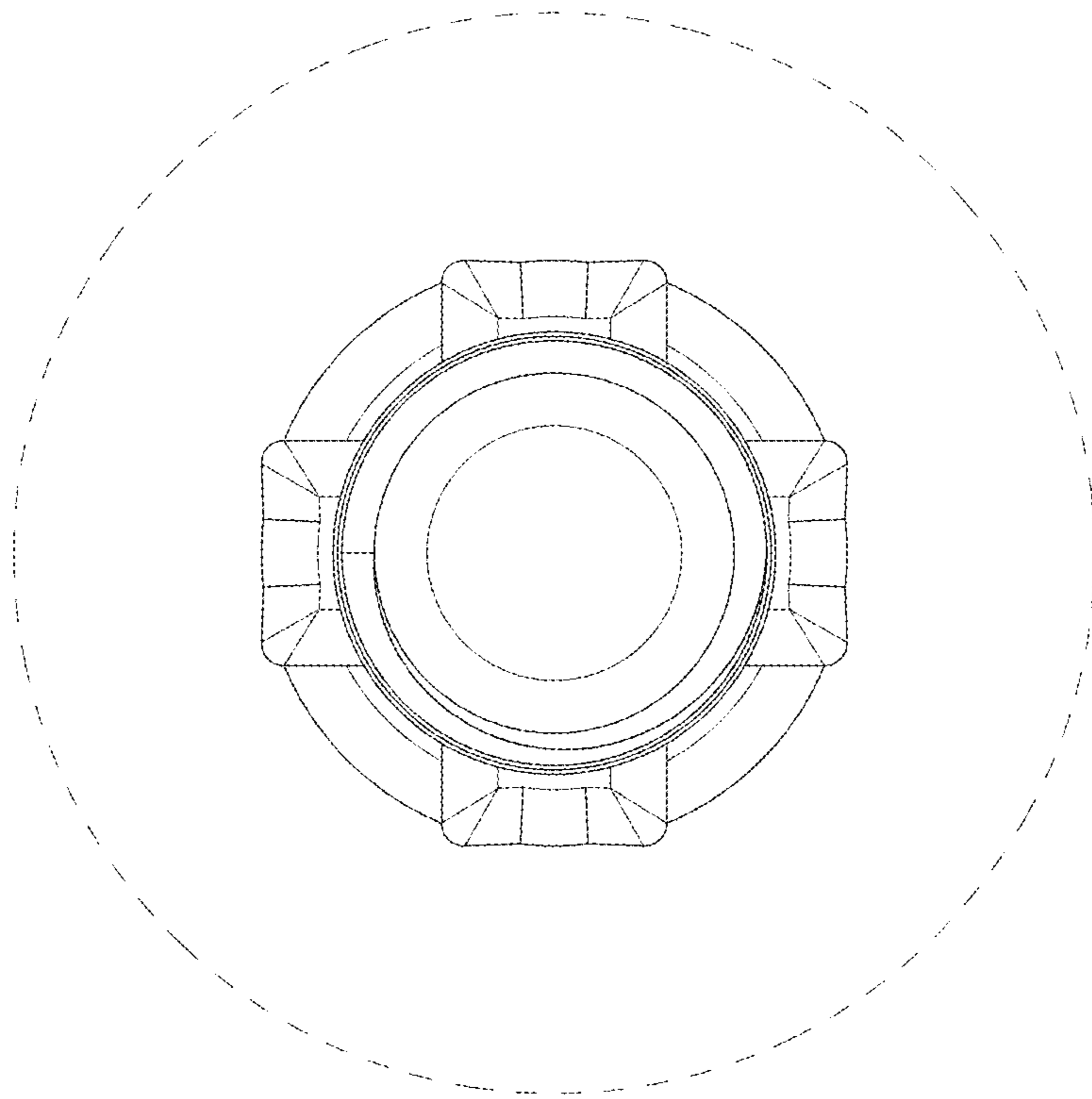


FIG. 2

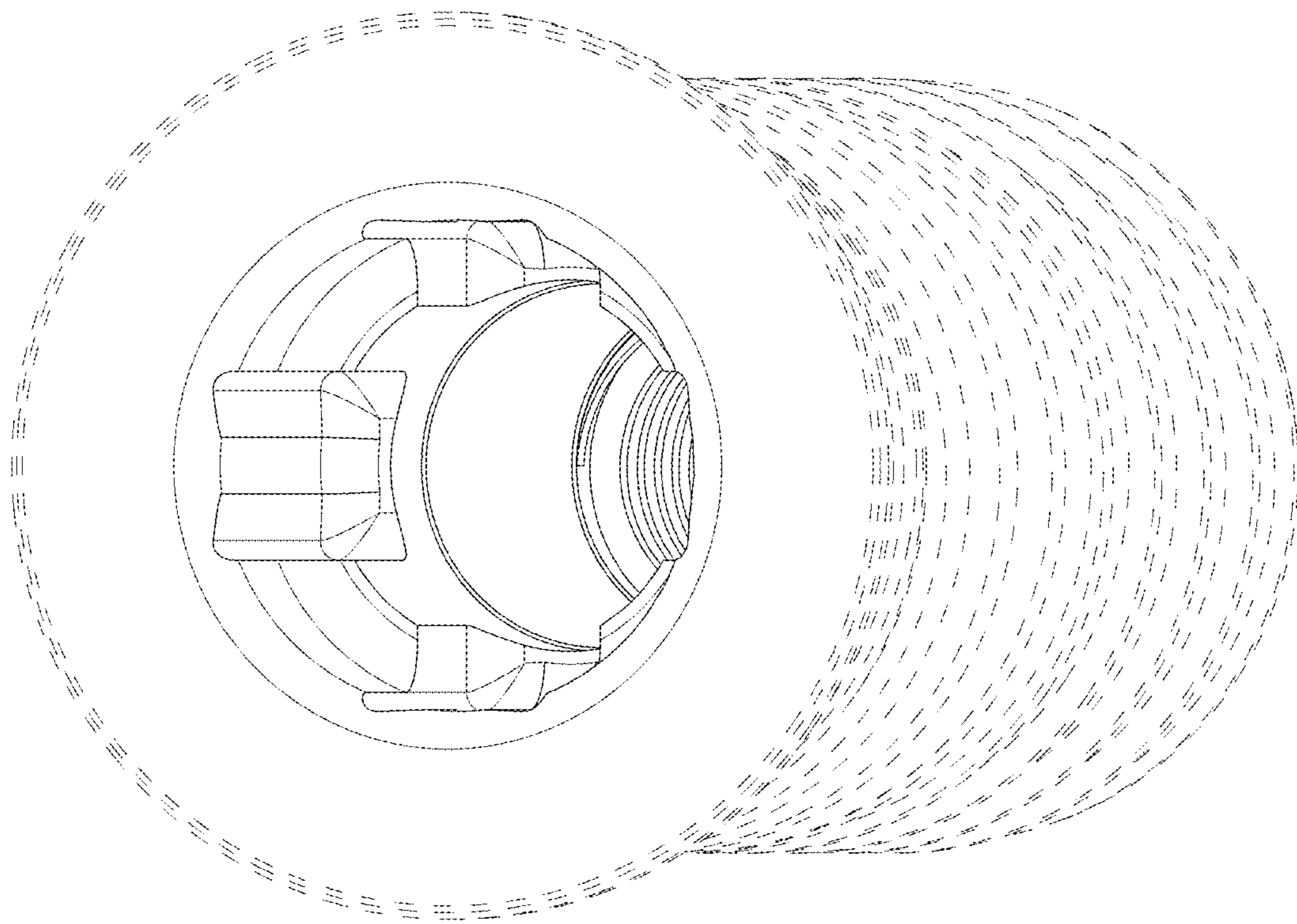


FIG. 3

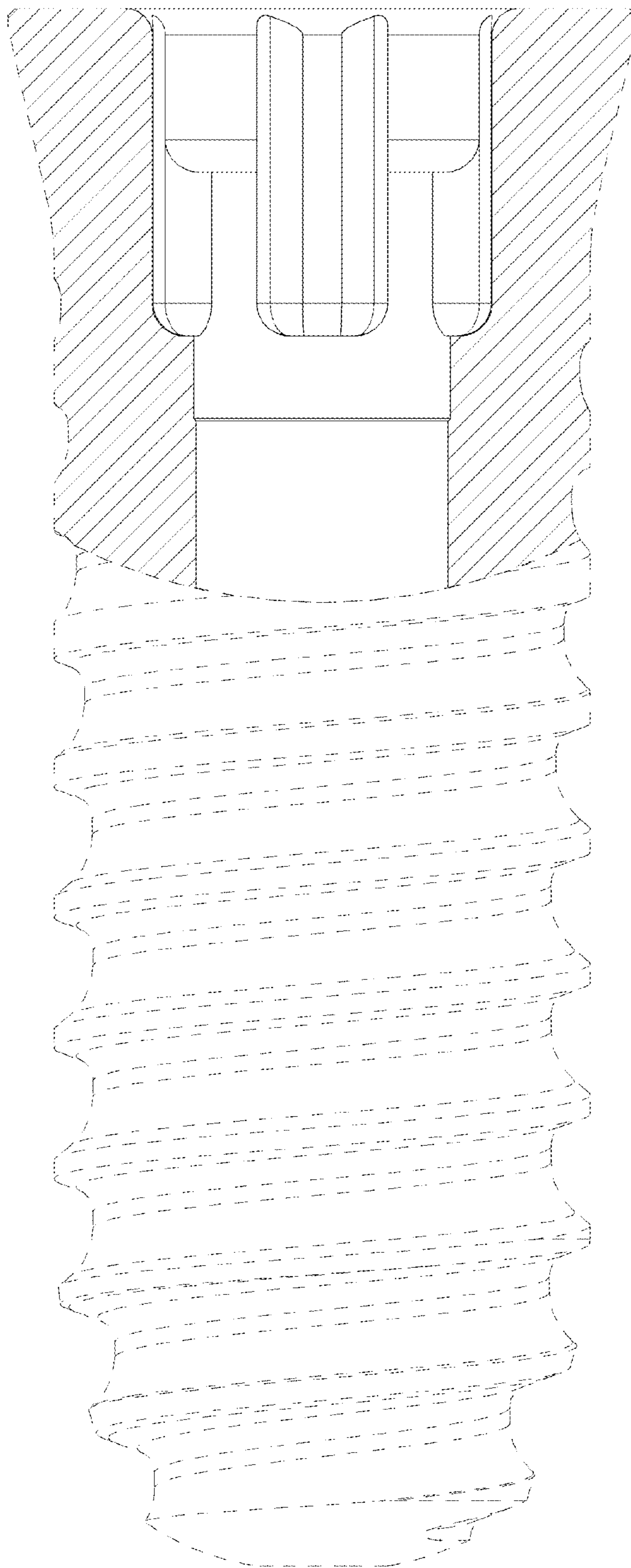


FIG. 4

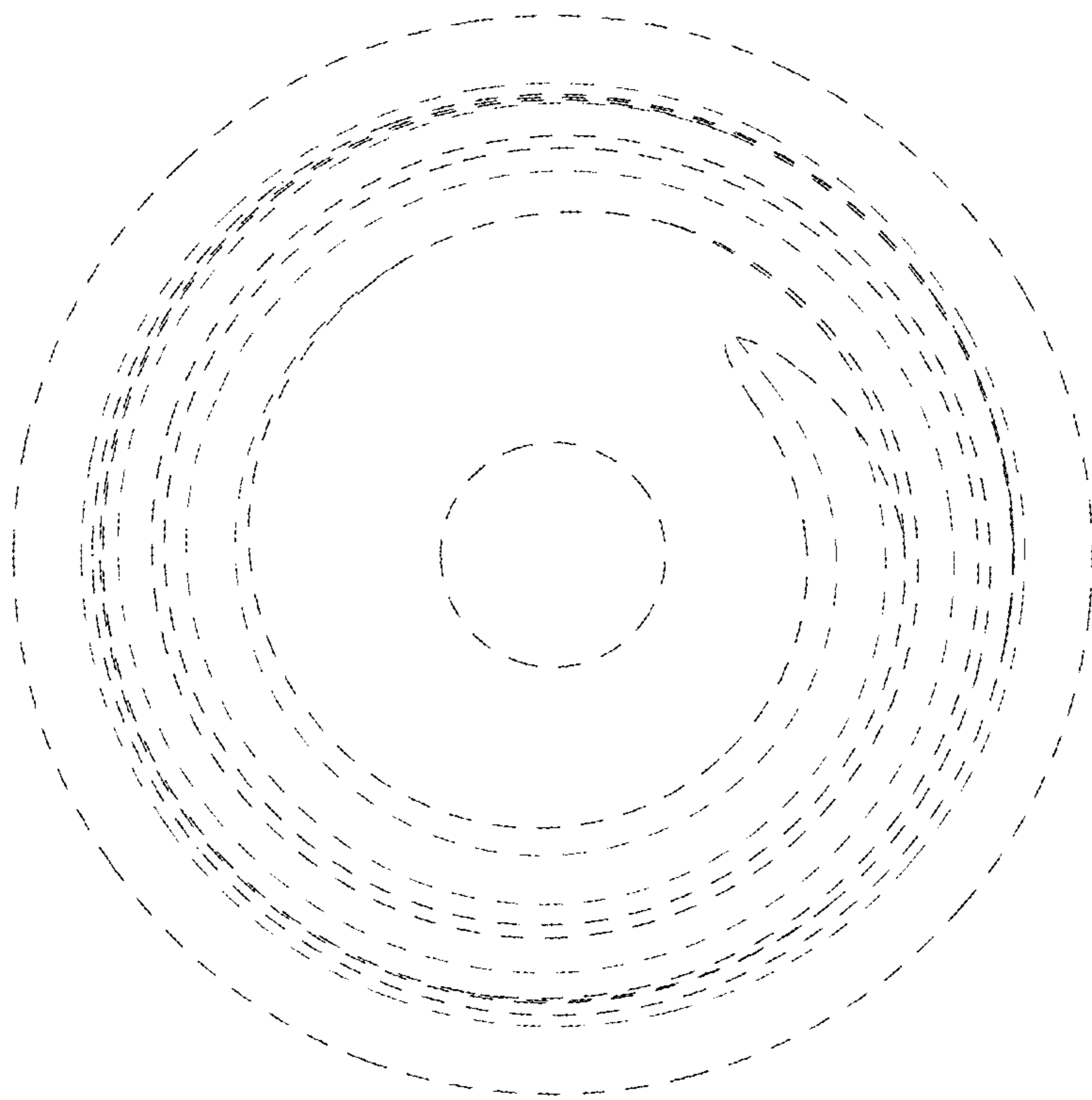


FIG. 5

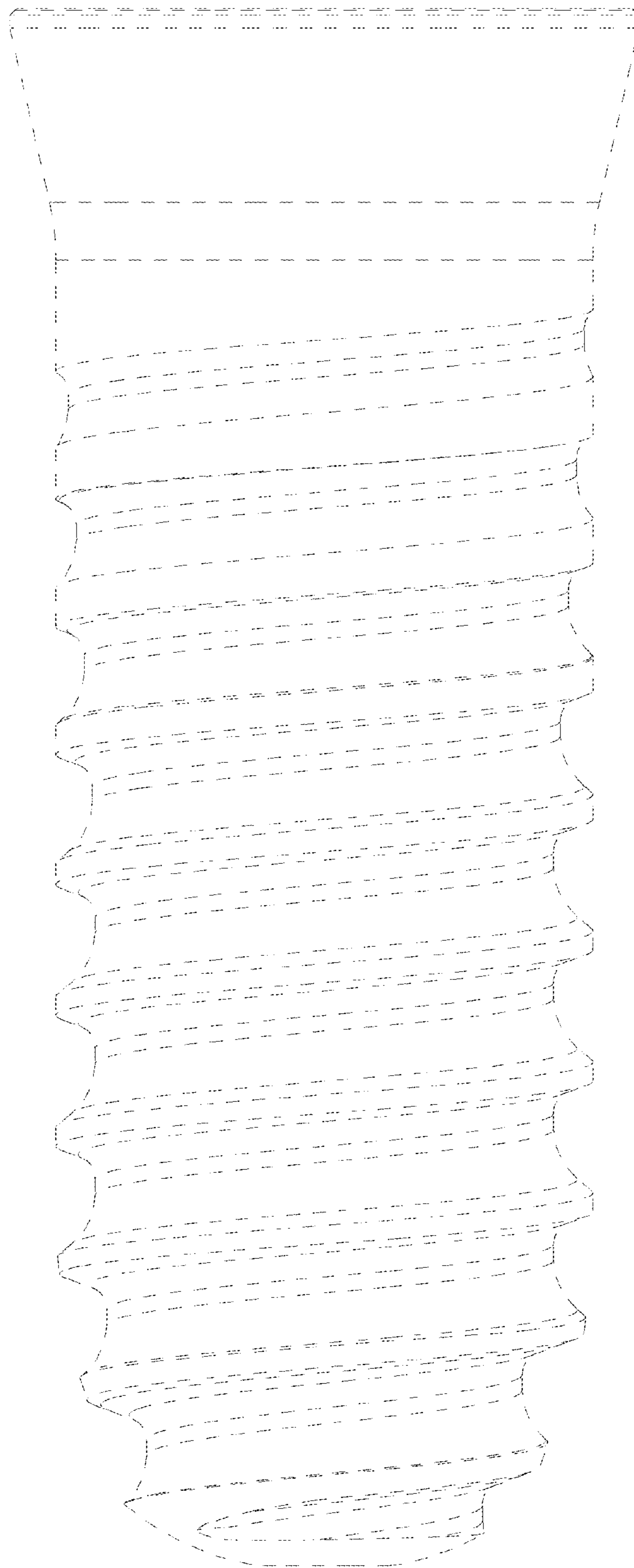


FIG. 6

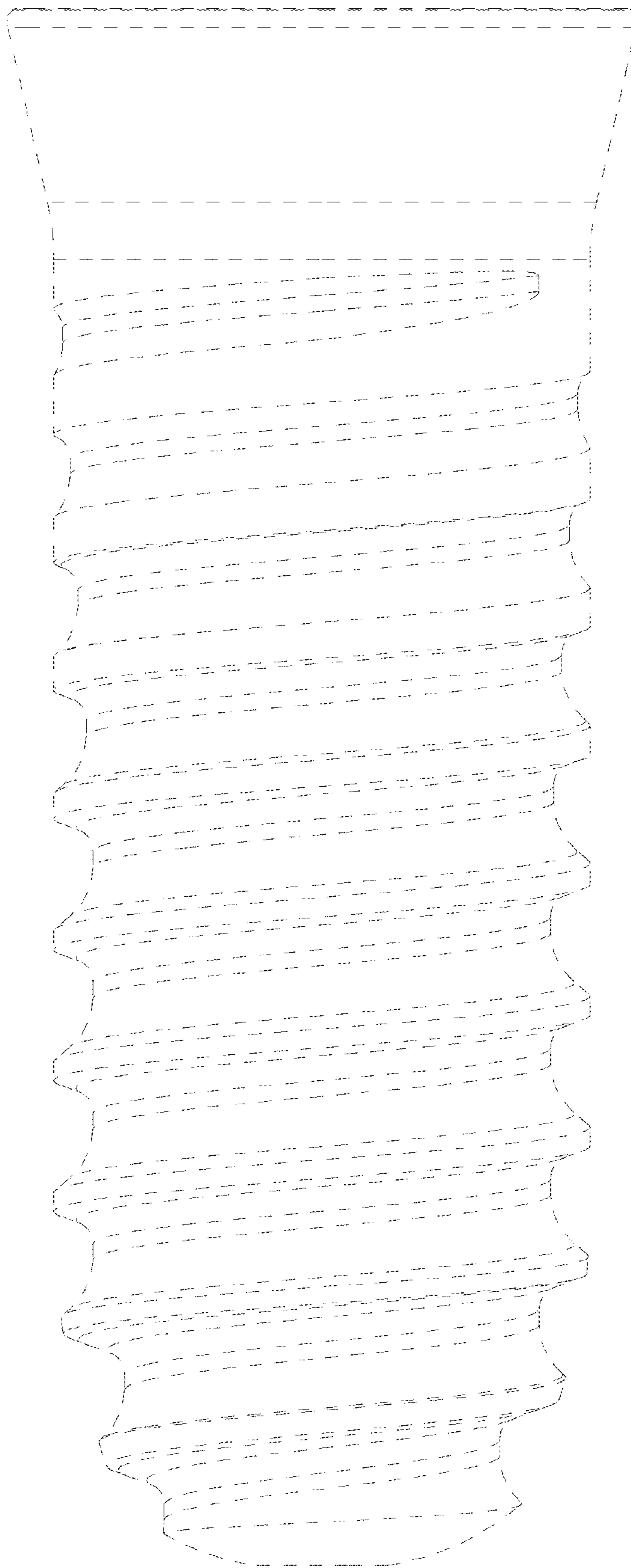


FIG. 7

UNITED STATES PATENT AND TRADEMARK OFFICE
CERTIFICATE OF CORRECTION

PATENT NO. : D891,620 S
APPLICATION NO. : 29/637821
DATED : July 28, 2020
INVENTOR(S) : Meir Ben Shabat et al.

Page 1 of 1

It is certified that error appears in the above-identified patent and that said Letters Patent is hereby corrected as shown below:

On the Title Page

Item (73) should read:
TAV MEDICAL LTD. Shlomi, (IL)

Signed and Sealed this
Fourteenth Day of December, 2021



Drew Hirshfeld
*Performing the Functions and Duties of the
Under Secretary of Commerce for Intellectual Property and
Director of the United States Patent and Trademark Office*