



US00D891616S

(12) **United States Design Patent**
Niver et al.

(10) **Patent No.:** **US D891,616 S**
(45) **Date of Patent:** **** Jul. 28, 2020**

(54) **BONE PLATE**

(71) Applicant: **Medline Industries, Inc.**, Northfield, IL (US)

(72) Inventors: **Ryan Niver**, Glenview, IL (US);
Wesley Reed, Libertyville, IL (US);
Scott Goldstein, Deerfield, IL (US)

(73) Assignee: **Medline Industries, Inc.**, Northfield, IL (US)

(**) Term: **15 Years**

(21) Appl. No.: **29/677,329**

(22) Filed: **Jan. 18, 2019**

(51) **LOC (12) Cl.** **24-03**

(52) **U.S. Cl.**
USPC **D24/155**

(58) **Field of Classification Search**
USPC **D24/155-157**

(Continued)

(56) **References Cited**

U.S. PATENT DOCUMENTS

D648,027 S * 11/2011 Vancelette D24/155
D780,925 S * 3/2017 DaCosta D24/155

(Continued)

Primary Examiner — Charles D Hanson

(74) *Attorney, Agent, or Firm* — Fitch, Even, Tabin & Flannery LLP

(57) **CLAIM**

The ornamental design for a bone plate, as shown and described.

DESCRIPTION

FIG. 1 is a top perspective view of a bone plate in accordance with a first embodiment of our new design;

FIG. 2 is a bottom perspective view thereof;

FIG. 3 is a top plan view thereof;

FIG. 4 is a right side elevation view thereof;

FIG. 5 is a left side elevation view thereof;

FIG. 6 is a front elevation view thereof;

FIG. 7 is a rear elevation view thereof;

FIG. 8 is a bottom plan view thereof;

FIG. 9 is a top perspective view of a bone plate in accordance with a second embodiment of our new design;

FIG. 10 is a bottom perspective view thereof;

FIG. 11 is a top plan view thereof;

FIG. 12 is a right side elevation view thereof;

FIG. 13 is a left side elevation view thereof;

FIG. 14 is a front elevation view thereof;

FIG. 15 is a rear elevation view thereof;

FIG. 16 is a bottom plan view thereof;

FIG. 17 is a top perspective view of a bone plate in accordance with a third embodiment of our new design;

FIG. 18 is a bottom perspective view thereof;

FIG. 19 is a top plan view thereof;

FIG. 20 is a right side elevation view thereof;

FIG. 21 is a left side elevation view thereof;

FIG. 22 is a front elevation view thereof;

FIG. 23 is a rear elevation view thereof;

FIG. 24 is a bottom plan view thereof;

FIG. 25 is a top perspective view of a bone plate in accordance with a fourth embodiment of our new design;

FIG. 26 is a bottom perspective view thereof;

FIG. 27 is a top plan view thereof;

FIG. 28 is a right side elevation view thereof;

FIG. 29 is a left side elevation view thereof;

FIG. 30 is a front elevation view thereof;

FIG. 31 is a rear elevation view thereof;

FIG. 32 is a bottom plan view thereof;

FIG. 33 is a top perspective view of a bone plate in accordance with a fifth embodiment of our new design;

FIG. 34 is a bottom perspective view thereof;

FIG. 35 is a top plan view thereof;

FIG. 36 is a right side elevation view thereof;

FIG. 37 is a left side elevation view thereof;

FIG. 38 is a front elevation view thereof;

FIG. 39 is a rear elevation view thereof;

FIG. 40 is a bottom plan view thereof;

(Continued)

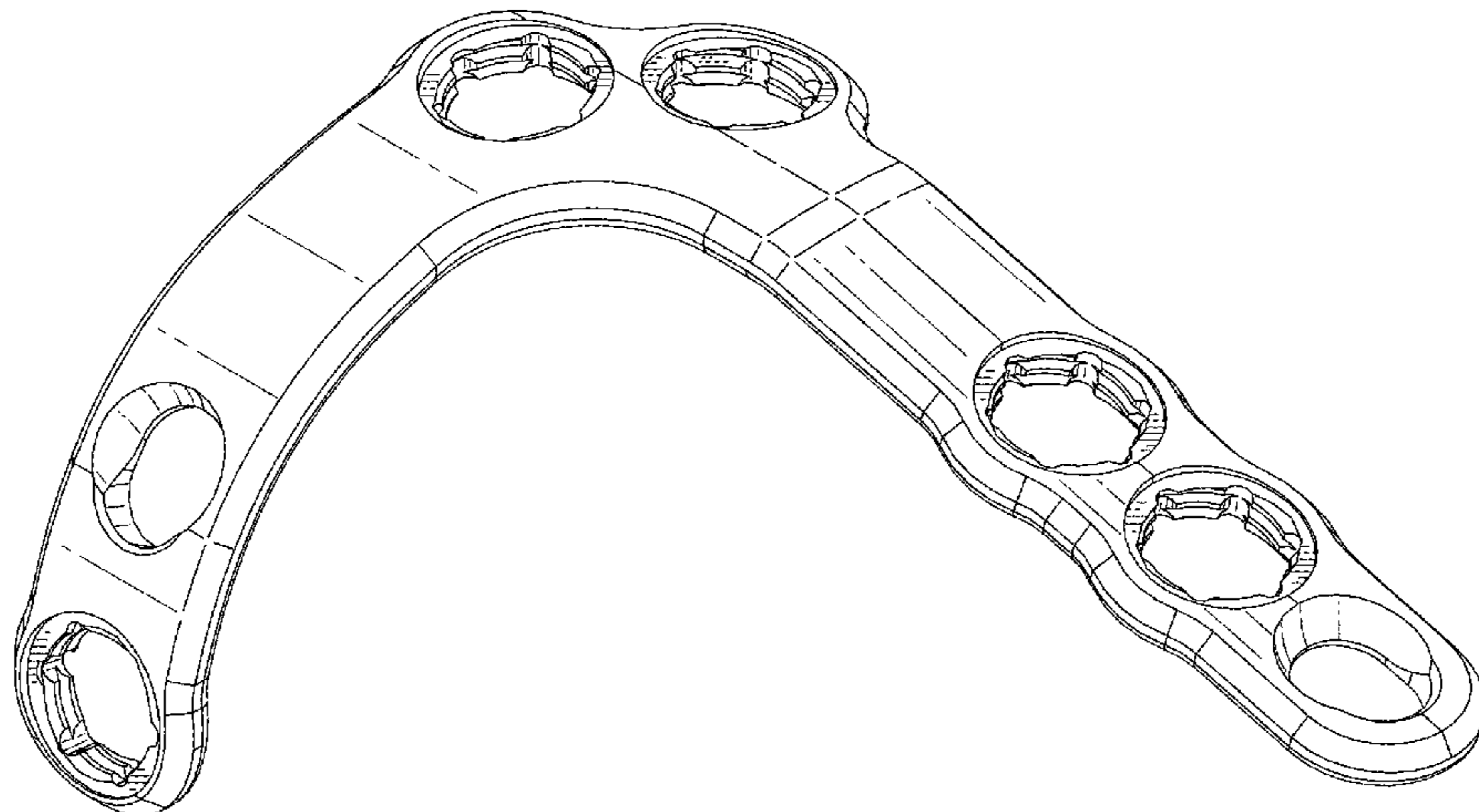


FIG. 41 is a top perspective view of a bone plate in accordance with a sixth embodiment of our new design;
 FIG. 42 is a bottom perspective view thereof;
 FIG. 43 is a top plan view thereof;
 FIG. 44 is a right side elevation view thereof;
 FIG. 45 is a left side elevation view thereof;
 FIG. 46 is a front elevation view thereof;
 FIG. 47 is a rear elevation view thereof;
 FIG. 48 is a bottom plan view thereof;
 FIG. 49 is a top perspective view of a bone plate in accordance with a seventh embodiment of our new design;
 FIG. 50 is a bottom perspective view thereof;
 FIG. 51 is a top plan view thereof;
 FIG. 52 is a right side elevation view thereof;
 FIG. 53 is a left side elevation view thereof;
 FIG. 54 is a front elevation view thereof;
 FIG. 55 is a rear elevation view thereof;
 FIG. 56 is a bottom plan view thereof;
 FIG. 57 is a top perspective view of a bone plate in accordance with an eighth embodiment of our new design;
 FIG. 58 is a bottom perspective view thereof;
 FIG. 59 is a top plan view thereof;
 FIG. 60 is a right side elevation view thereof;
 FIG. 61 is a left side elevation view thereof;
 FIG. 62 is a front elevation view thereof;
 FIG. 63 is a rear elevation view thereof; and,
 FIG. 64 is a bottom plan view thereof.

The broken lines depict portions of the bone plates that form no part of the claimed design.

It is contemplated that other embodiments of the design may include any part, portion, element, or any combination thereof shown in the figures. It is specifically contemplated

that any and all solid lines and portions thereof may be converted to broken lines, whether in subsequent division or continuation applications and/or by amendment.

1 Claim, 64 Drawing Sheets

(58) **Field of Classification Search**

CPC A61B 17/8061; A61B 17/7059; A61B 17/8052; A61B 17/8605; A61B 17/8085; A61B 17/809; A61B 17/8014; A61B 17/8033; A61B 17/8004; A61B 17/888; A61B 17/842; A61B 17/8023; A61B 17/8009; A61B 17/86; A61B 17/1739; A61B 17/8066; A61B 17/1671; A61B 17/1757; A61B 17/8071; A61B 17/176; A61B 2017/1782; A61B 2017/1775

See application file for complete search history.

(56) **References Cited**

U.S. PATENT DOCUMENTS

D786,436	S	*	5/2017	Kohler	D24/155
D860,456	S	*	9/2019	Buchanan	A61B 17/8061 D24/155
D874,003	S	*	1/2020	DaCosta	D24/155
D874,004	S	*	1/2020	DaCosta	D24/155
D874,650	S	*	2/2020	Horan	D24/155
2010/0274293	A1	*	10/2010	Terrill	A61B 17/8057 606/286
2014/0066996	A1	*	3/2014	Price	A61B 17/1728 606/281

* cited by examiner

FIG. 1

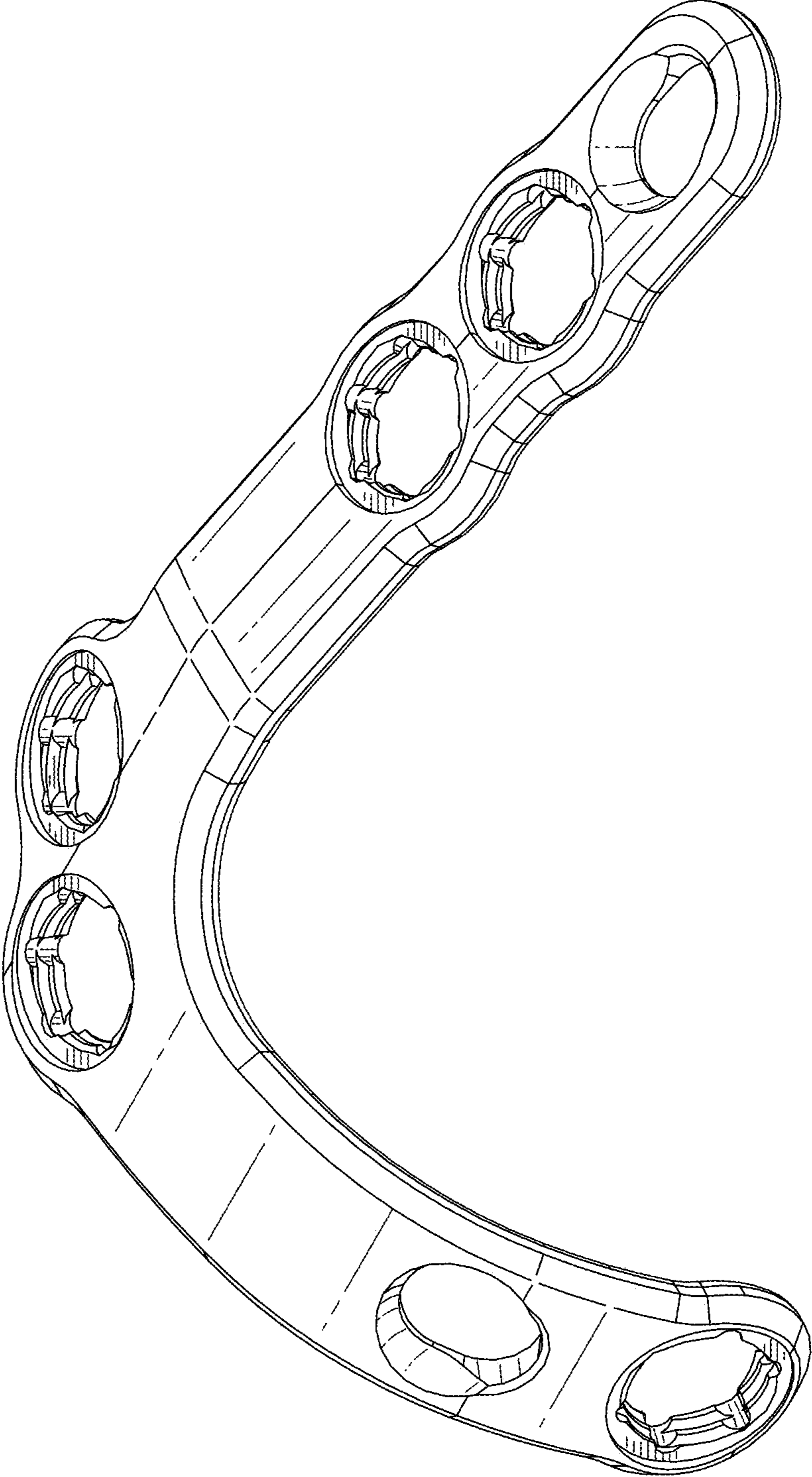


FIG. 2

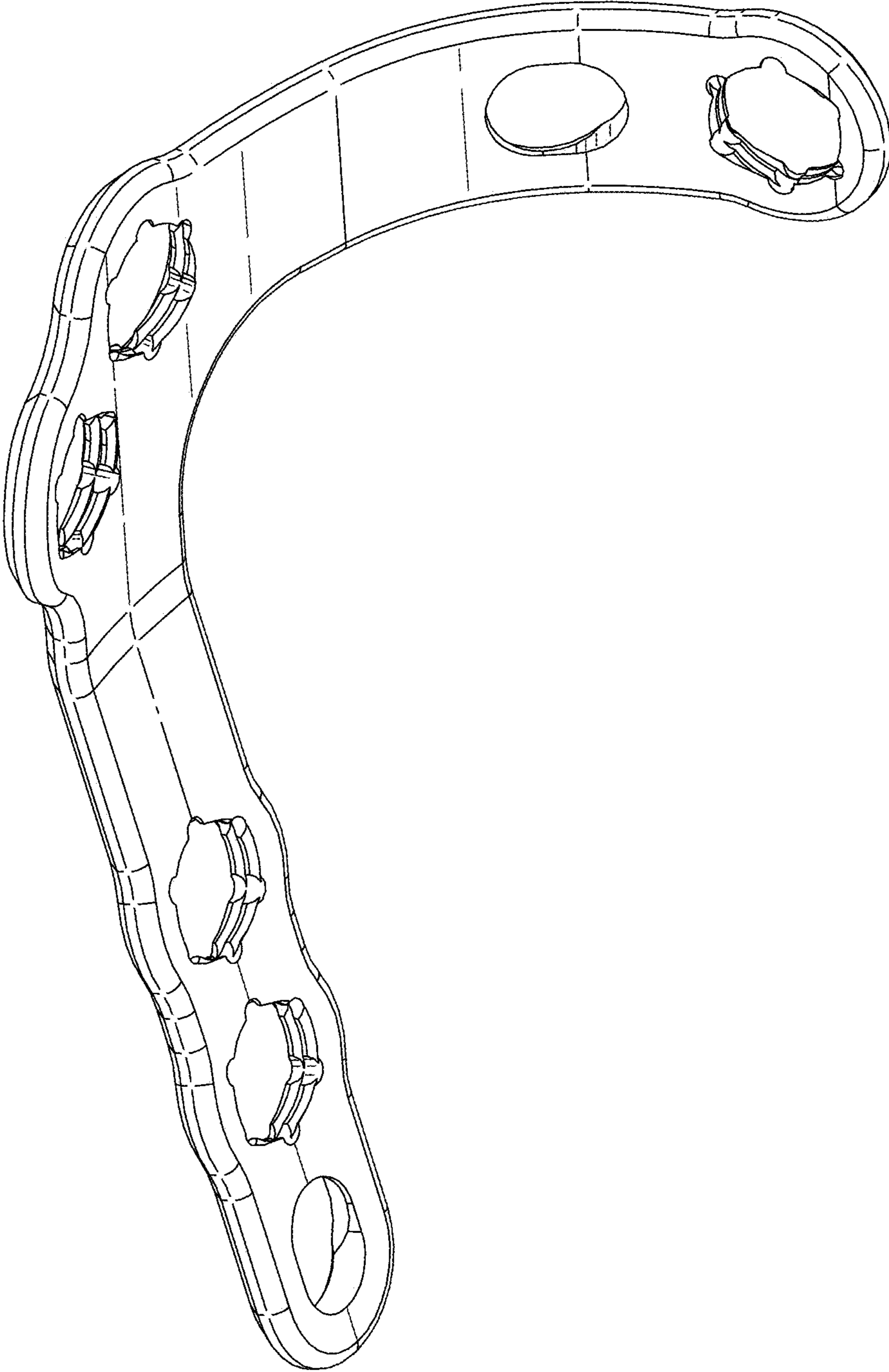


FIG. 3

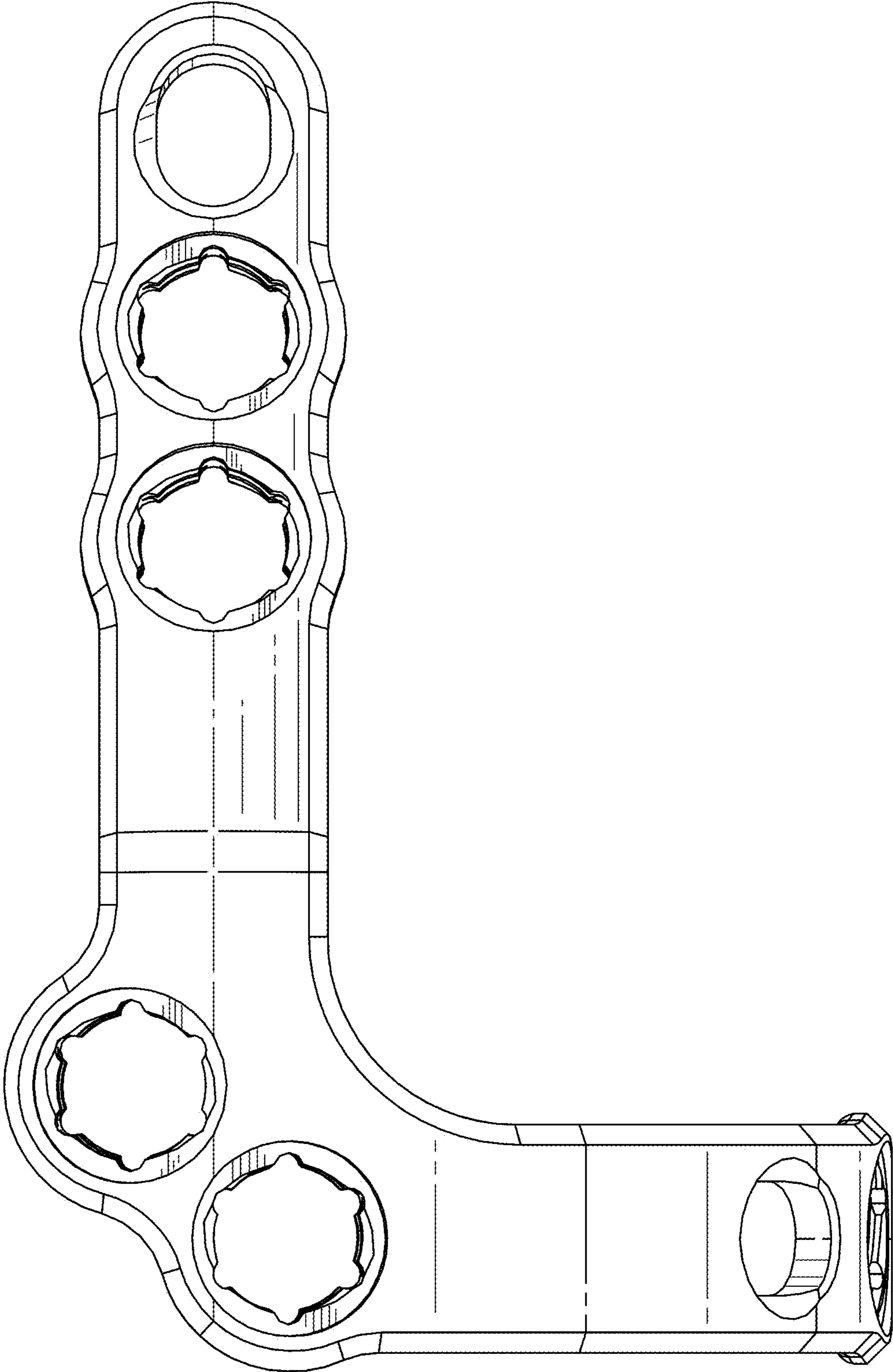


FIG. 4

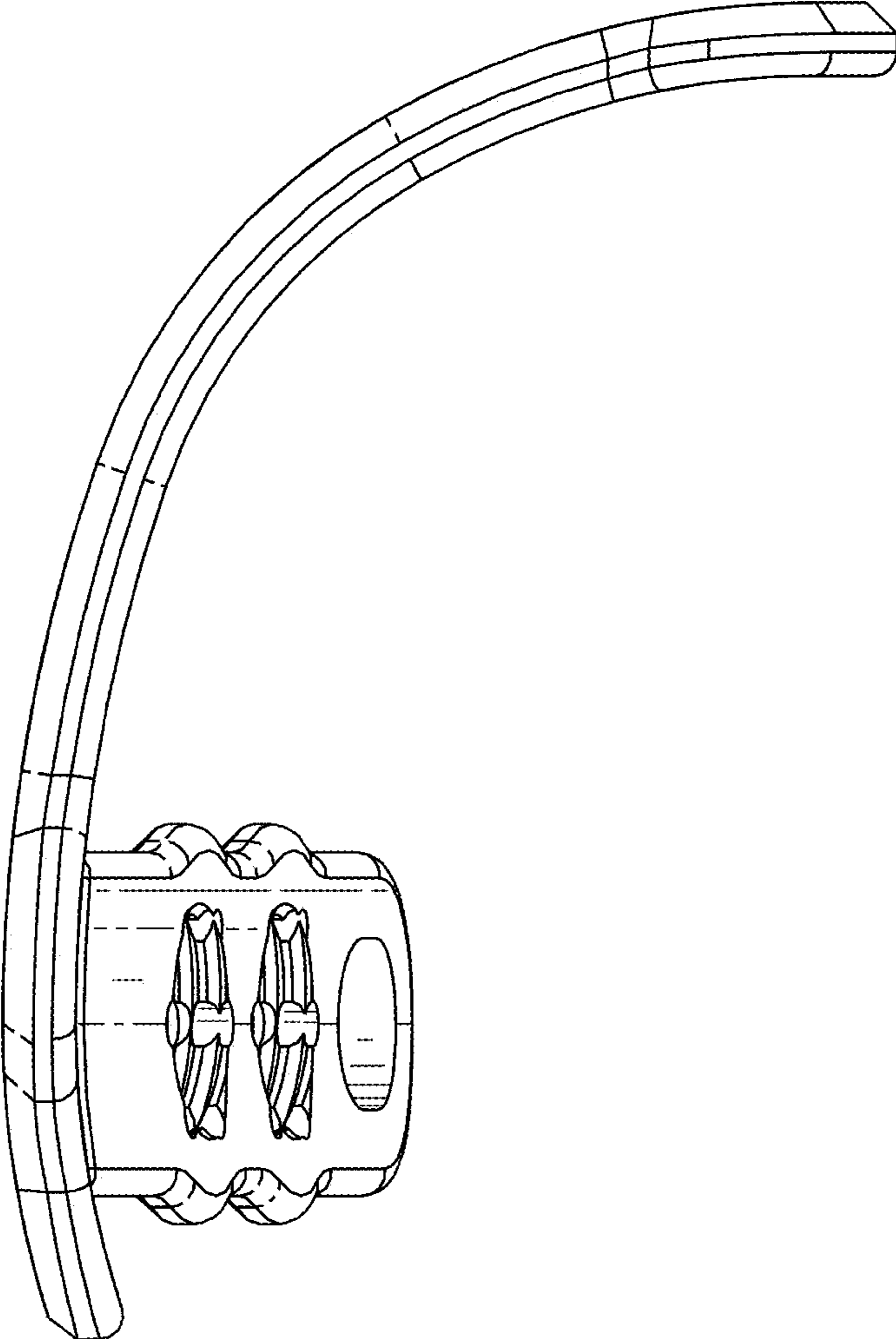


FIG. 5

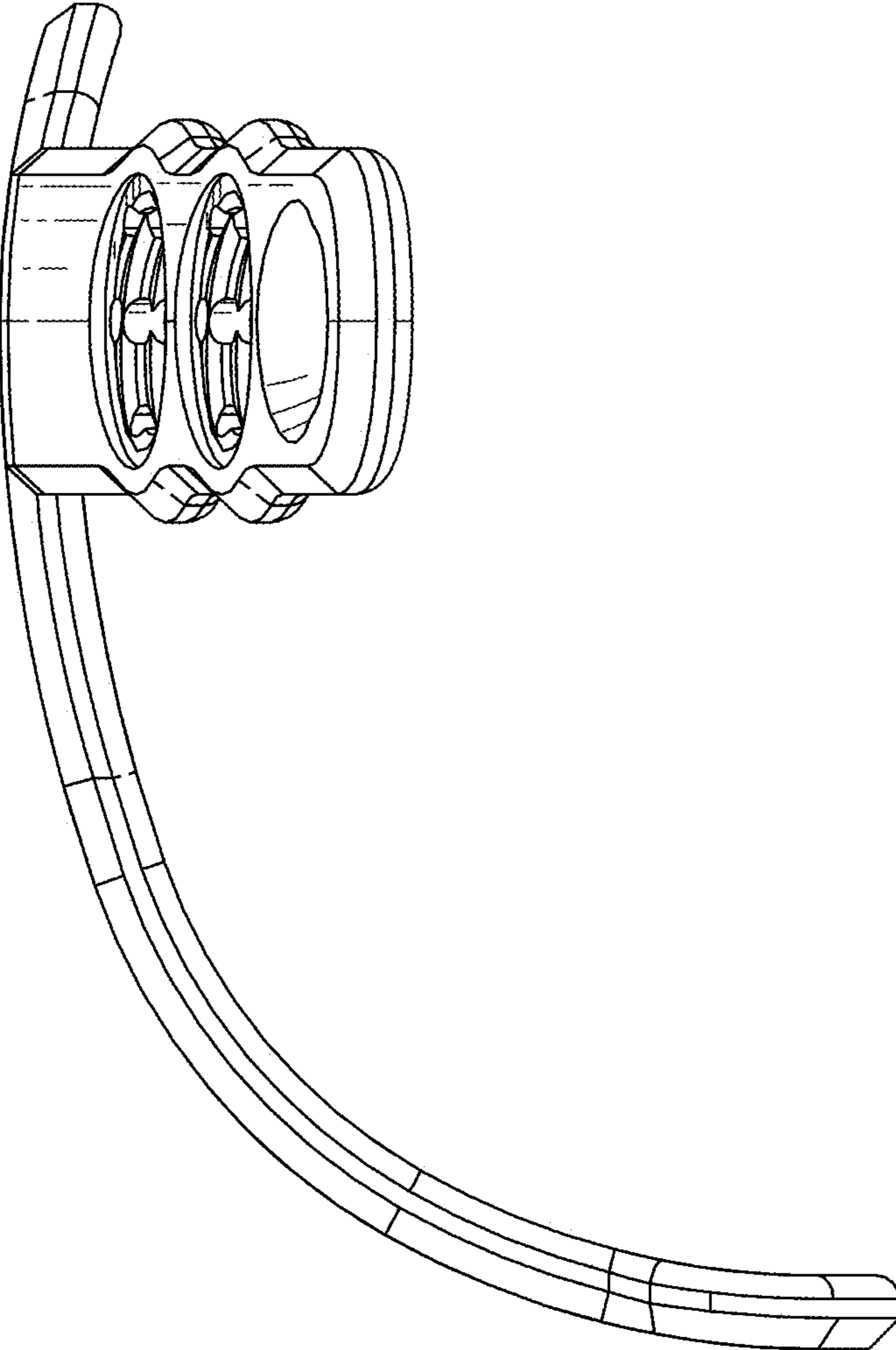


FIG. 6

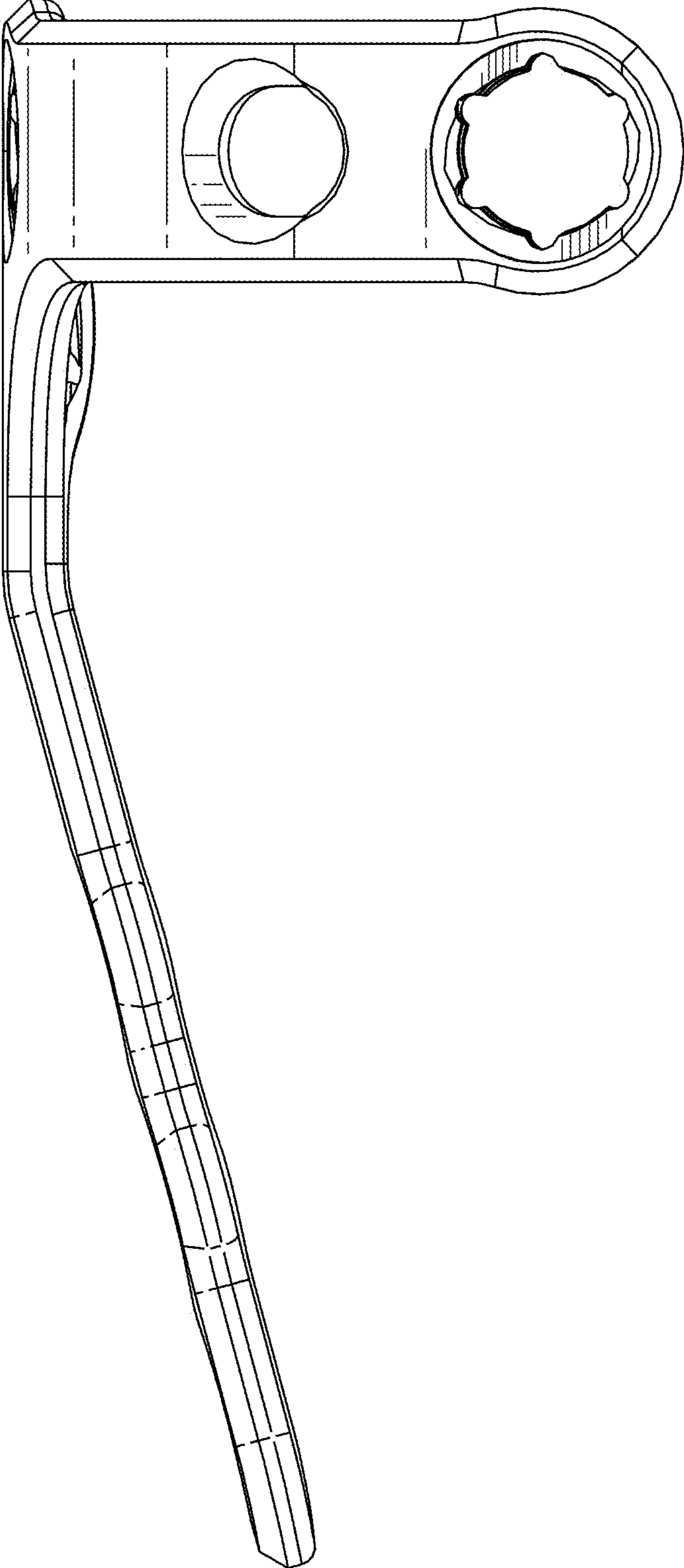


FIG. 7

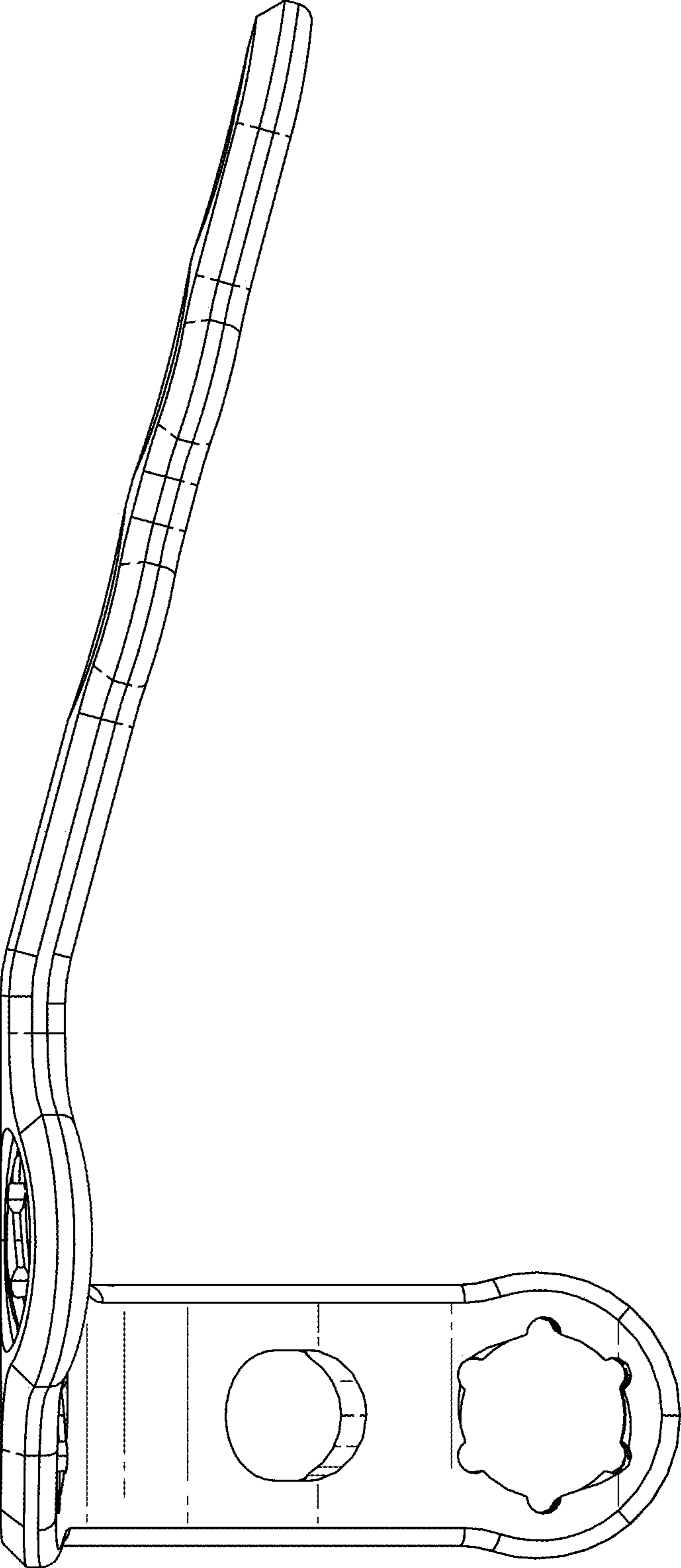
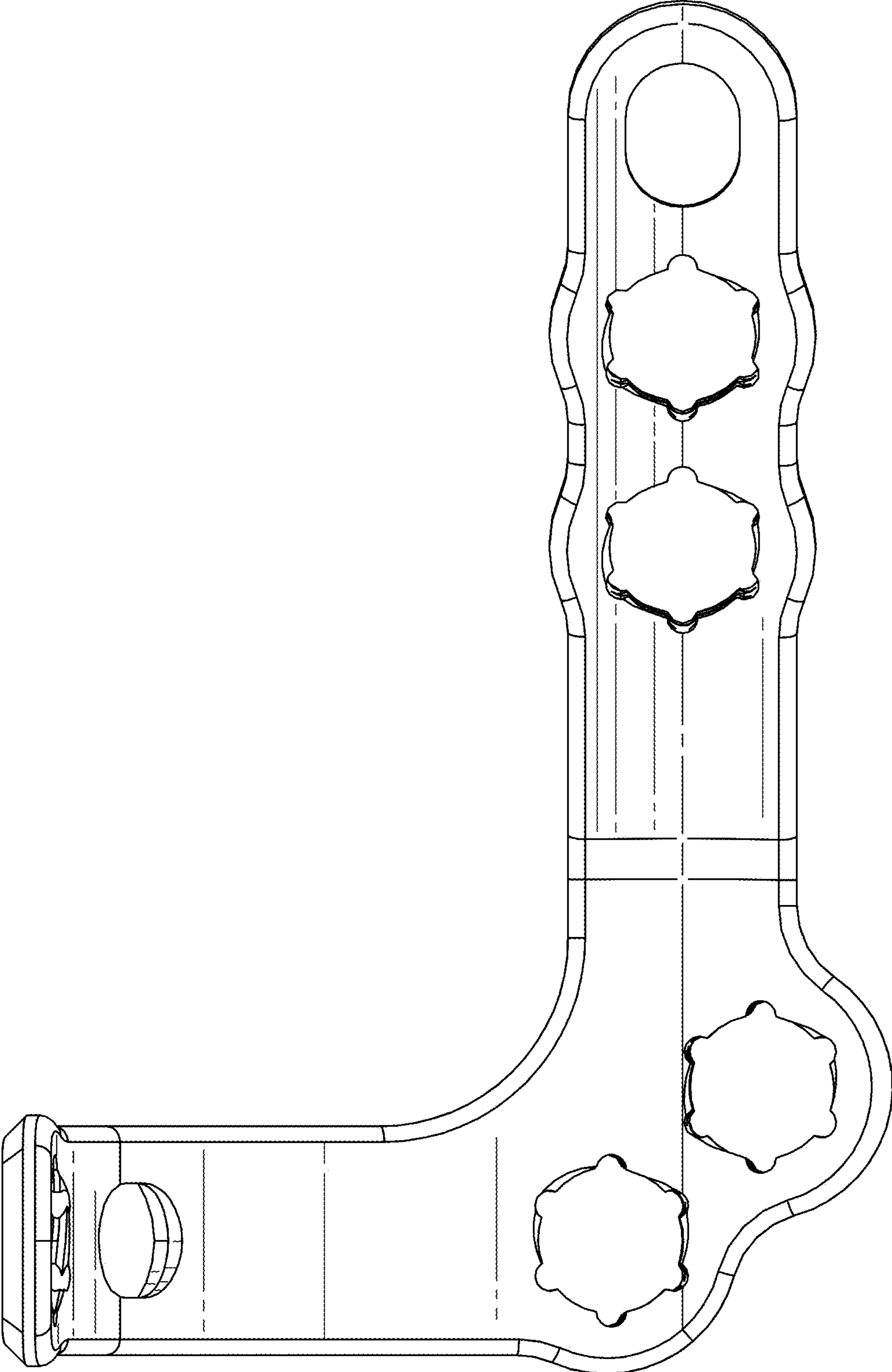


FIG. 8



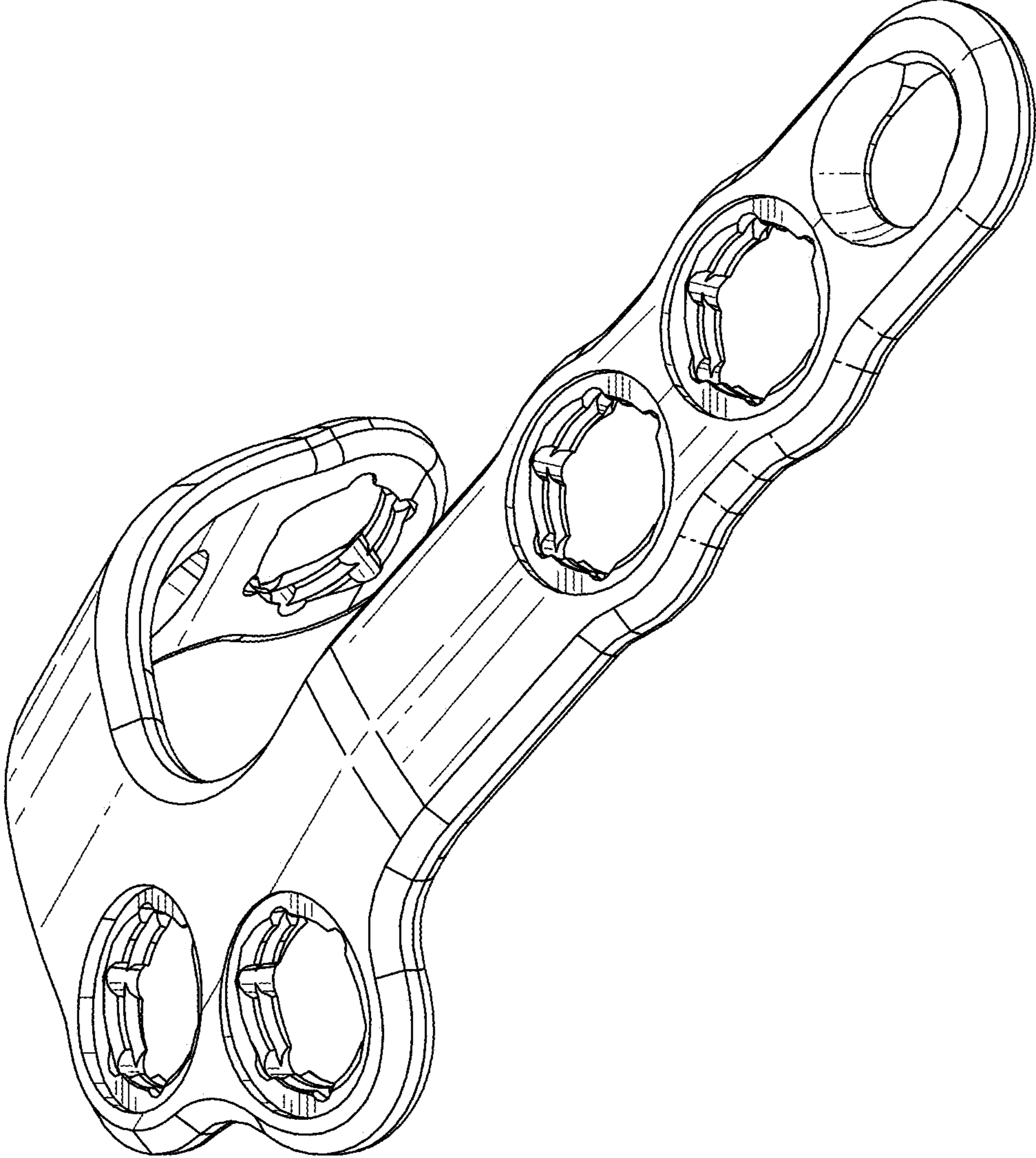


FIG. 9

FIG. 10

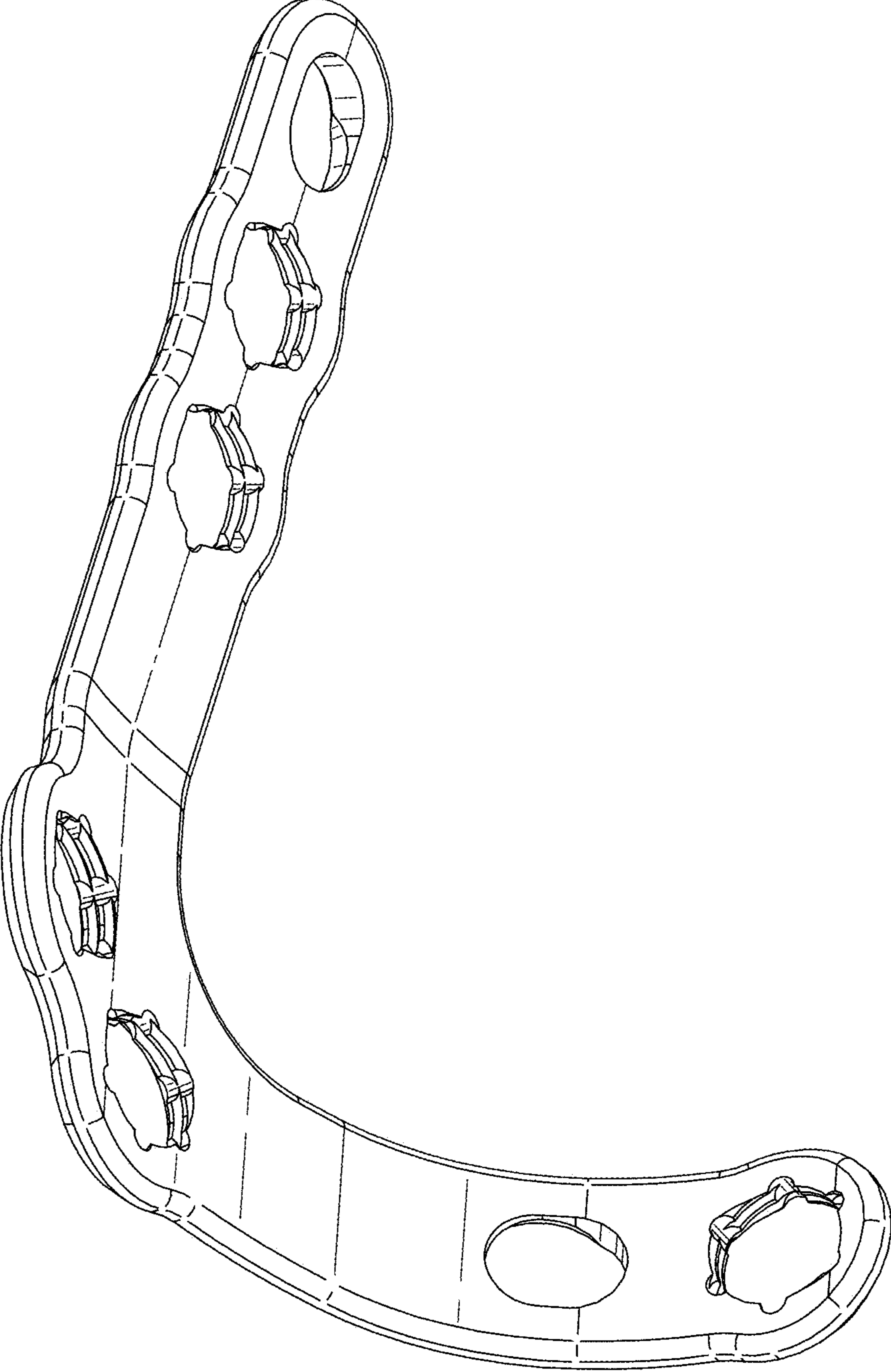


FIG. 11

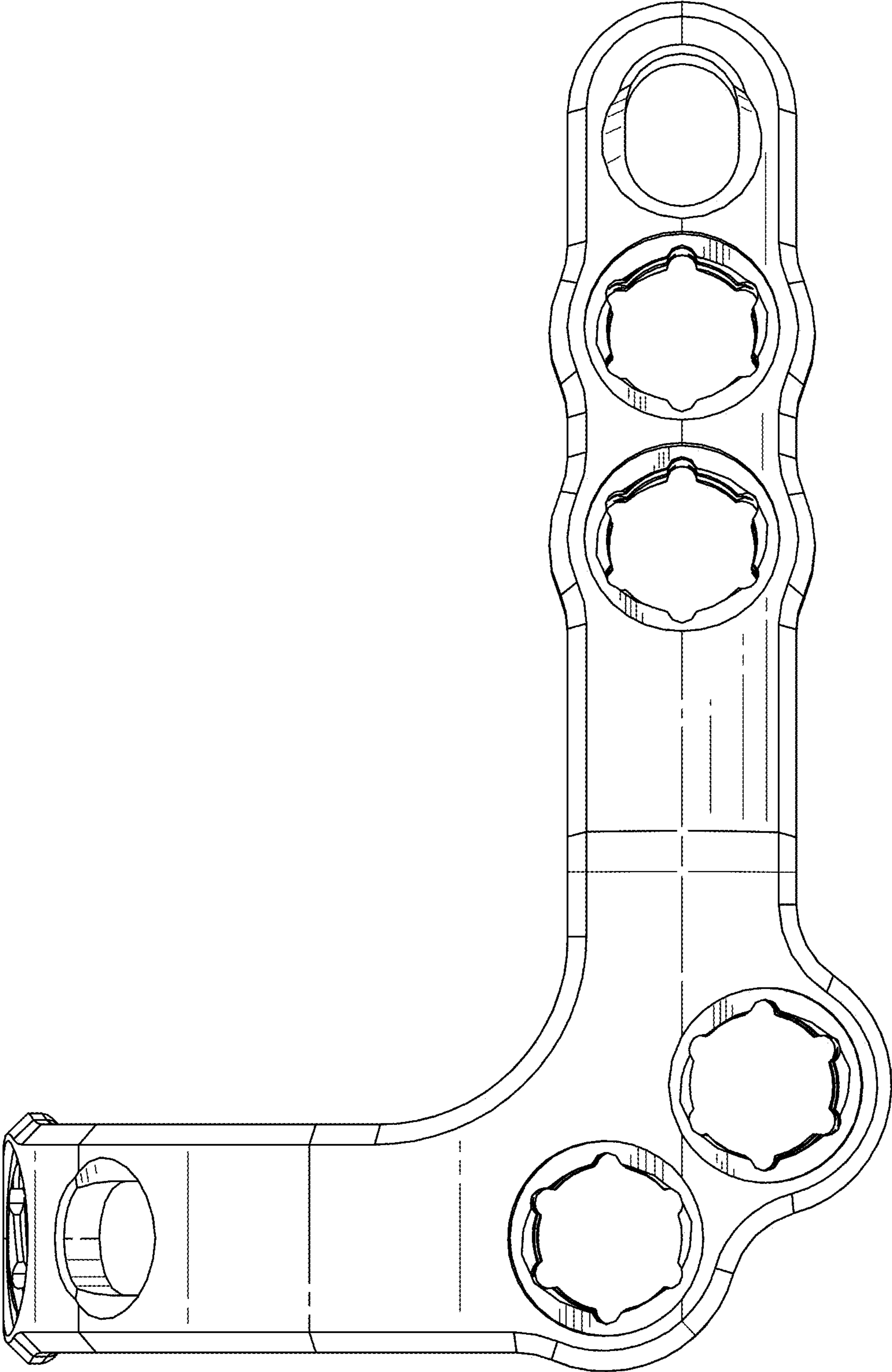


FIG. 12

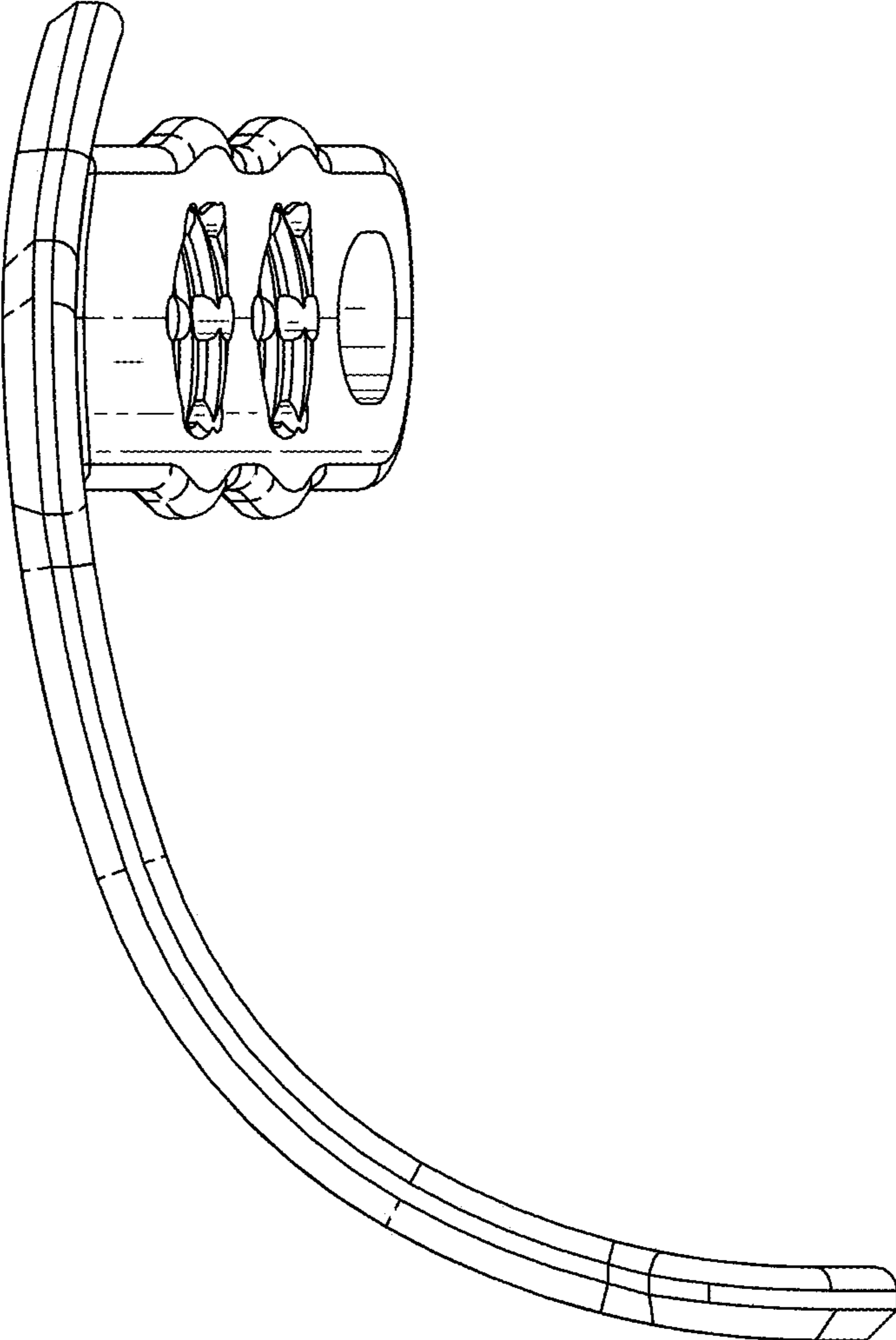


FIG. 13

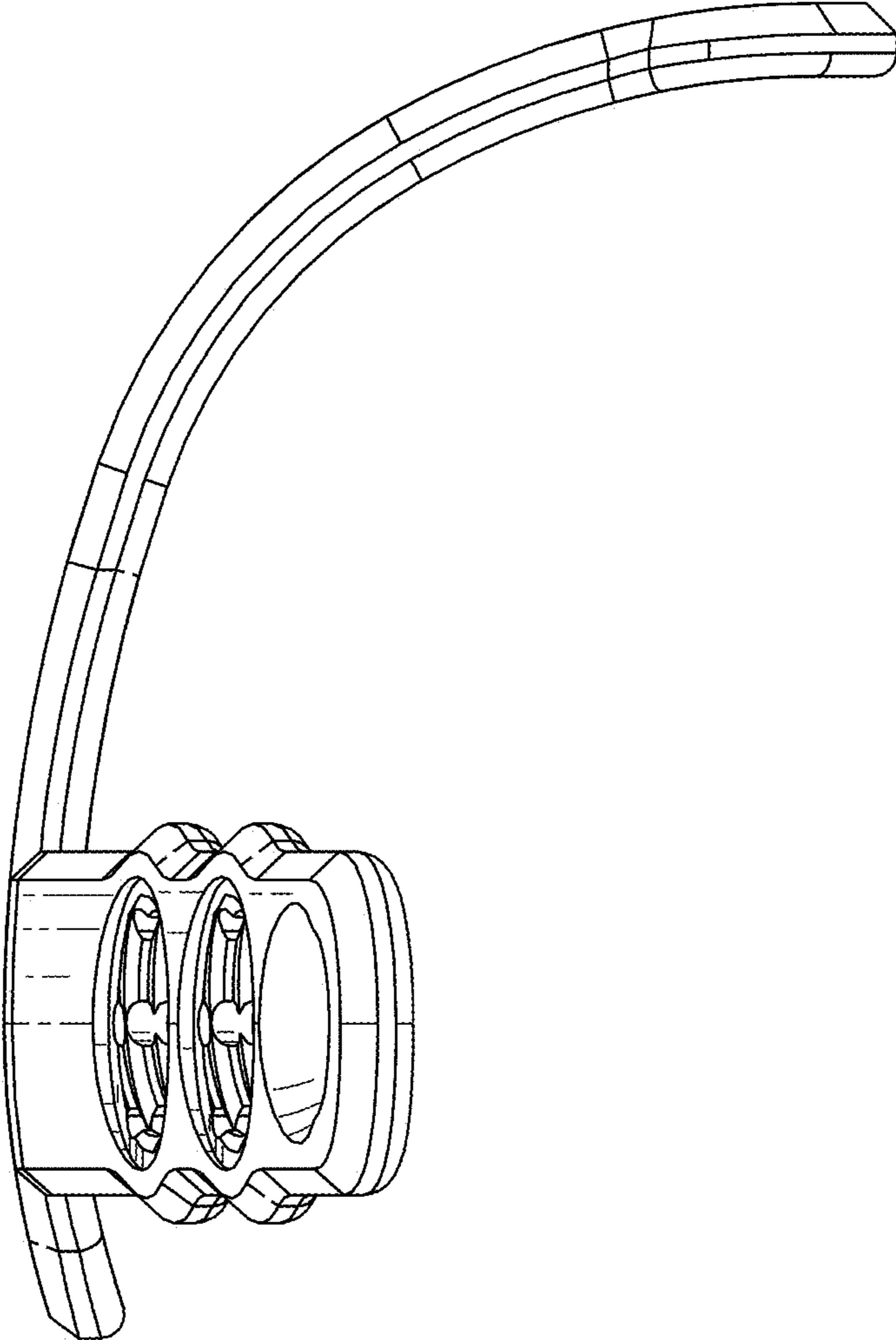


FIG. 14

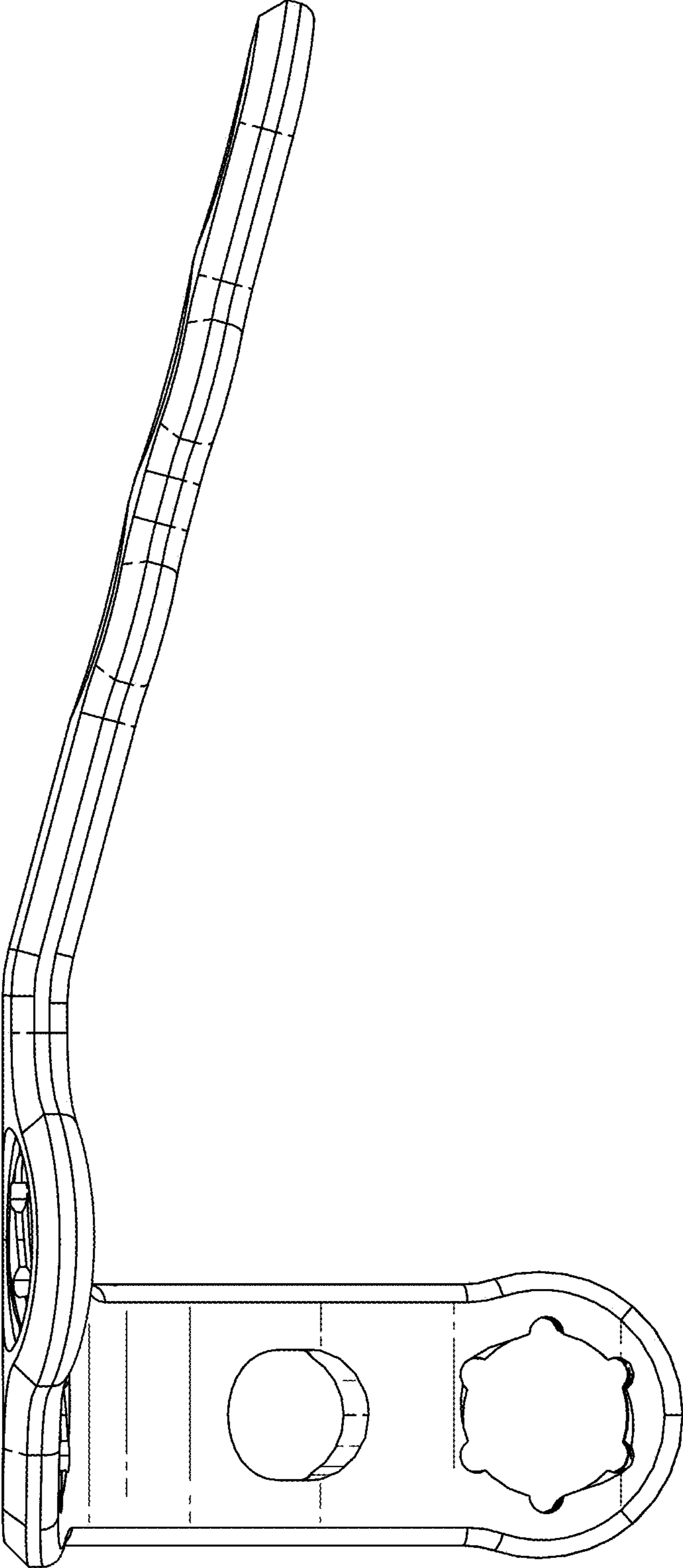


FIG. 15

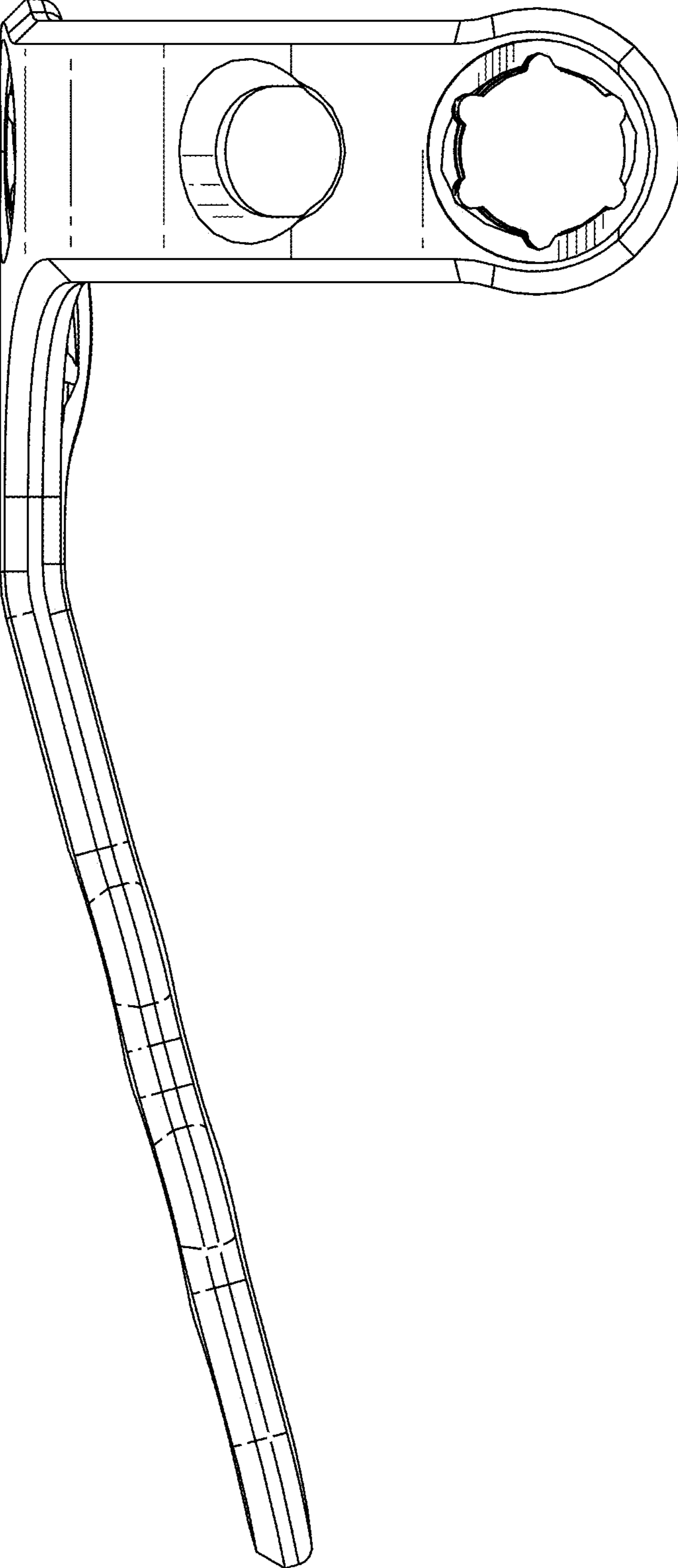


FIG. 16

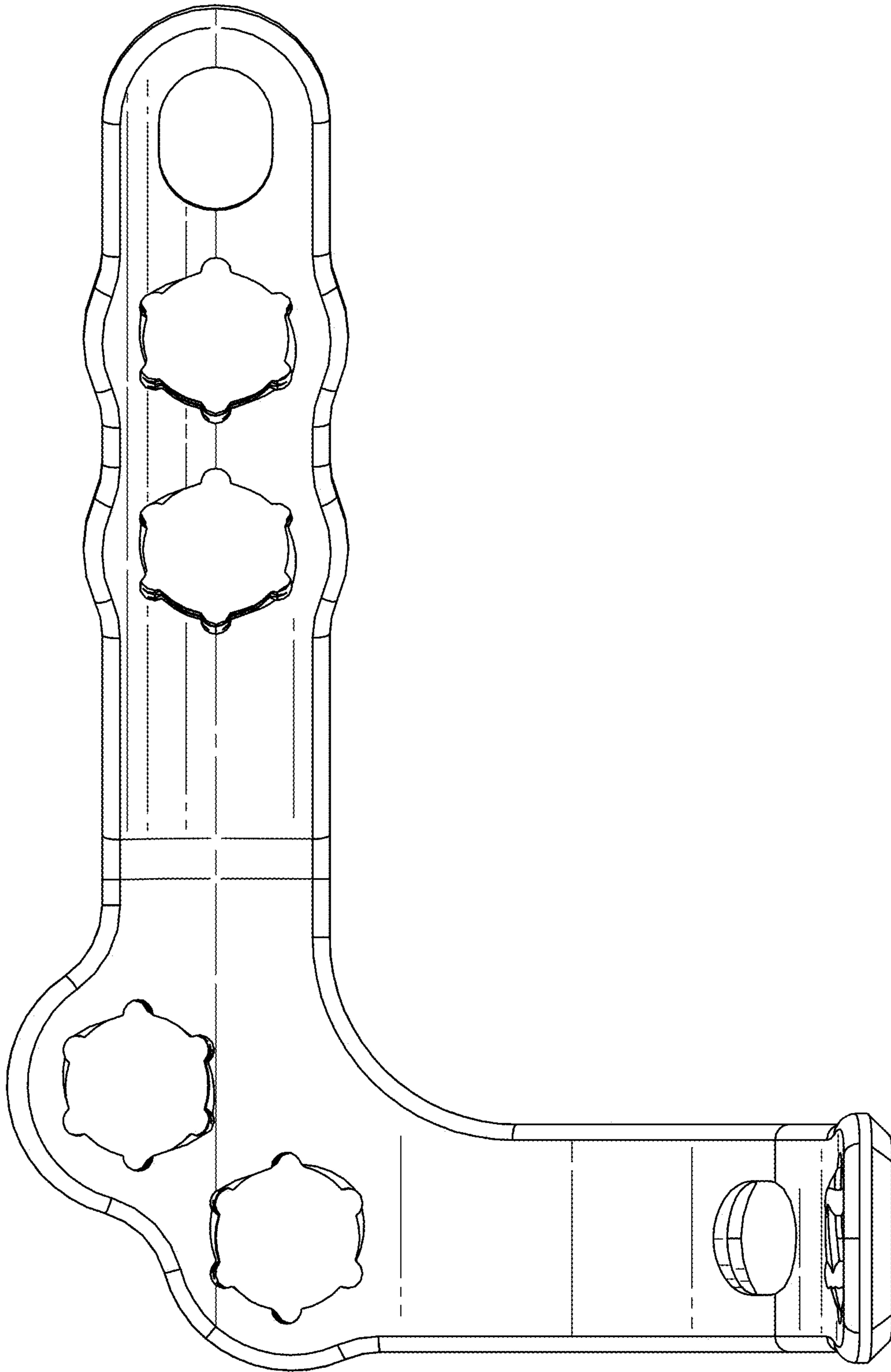


FIG. 17

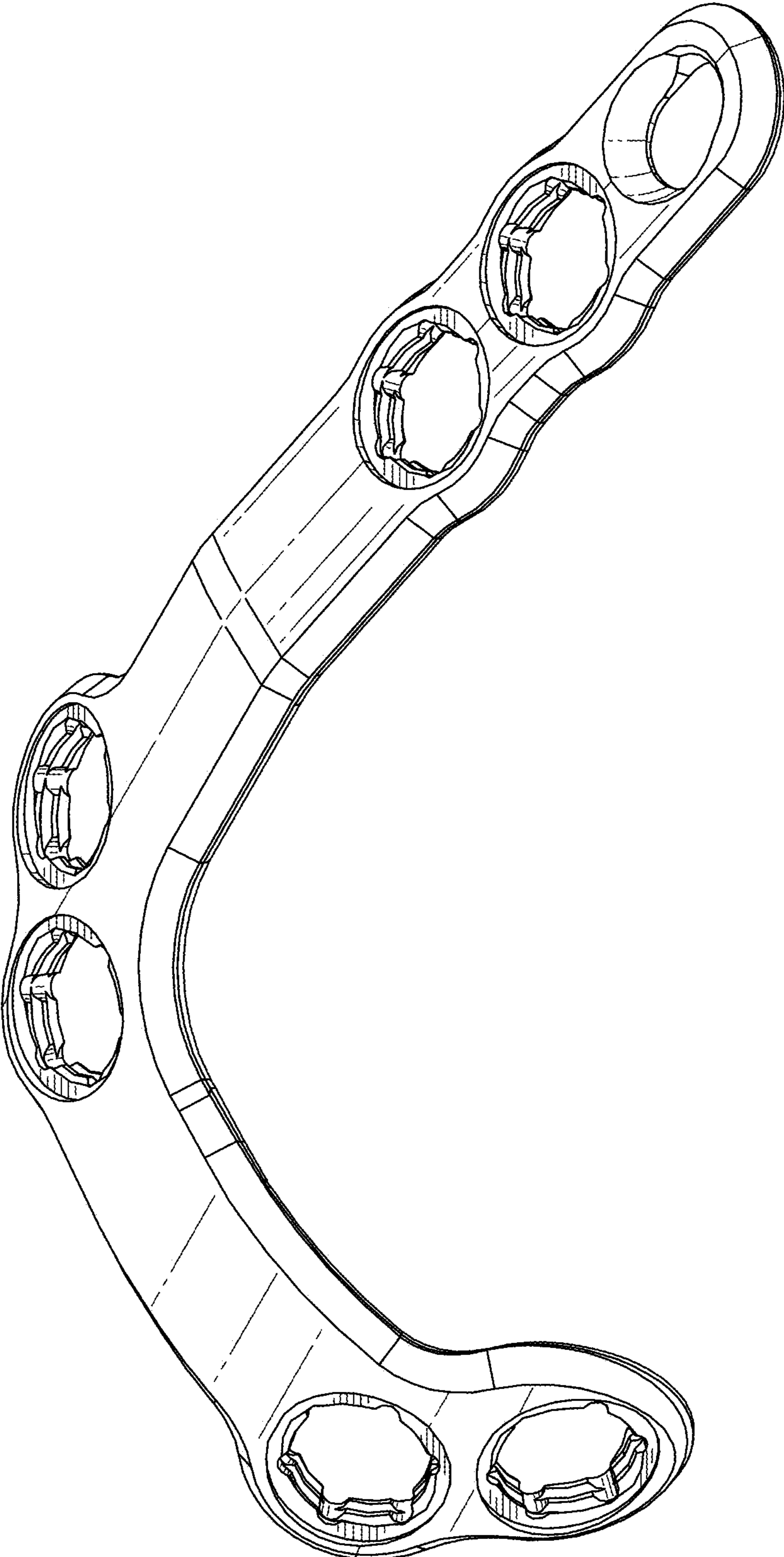


FIG. 18

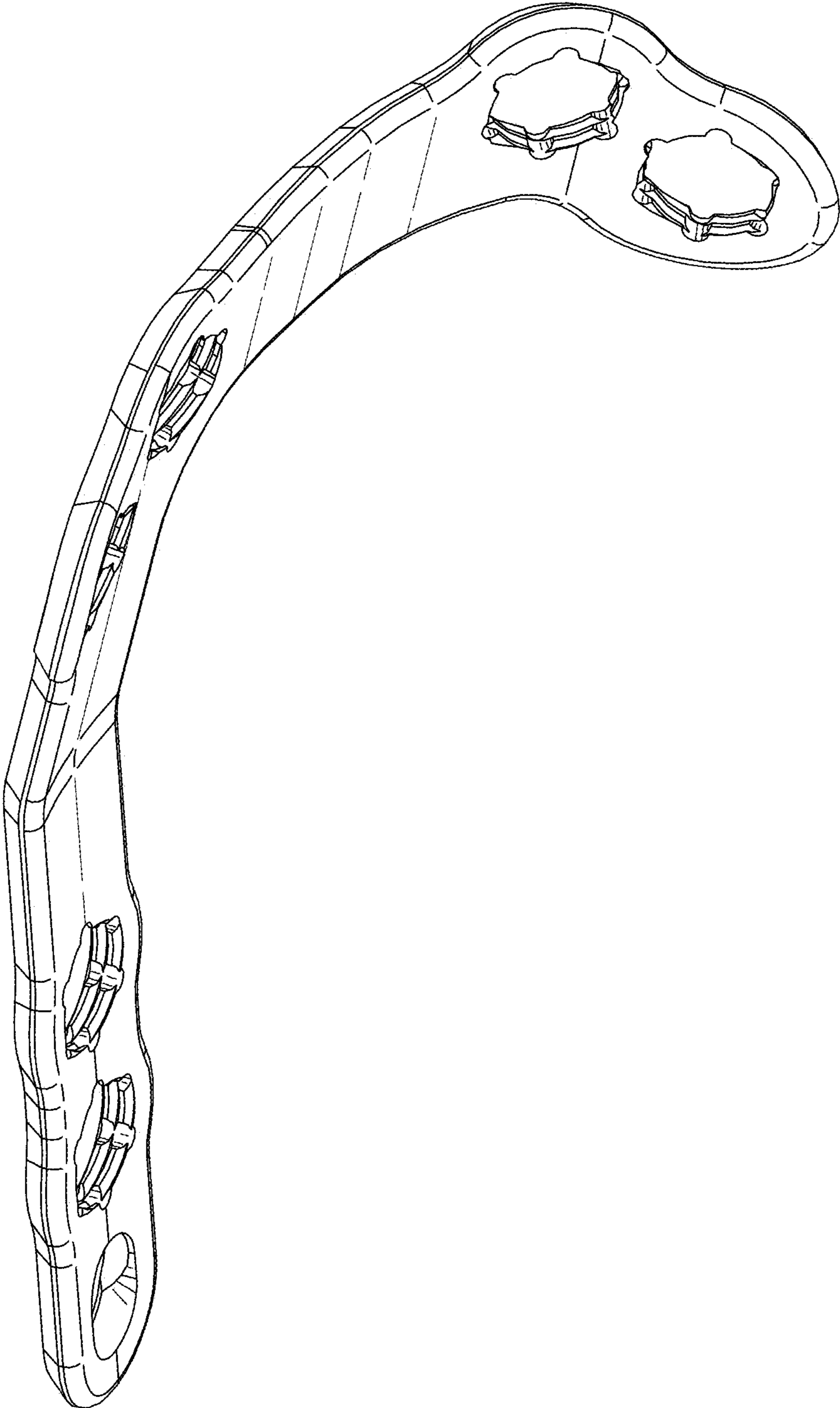


FIG. 19

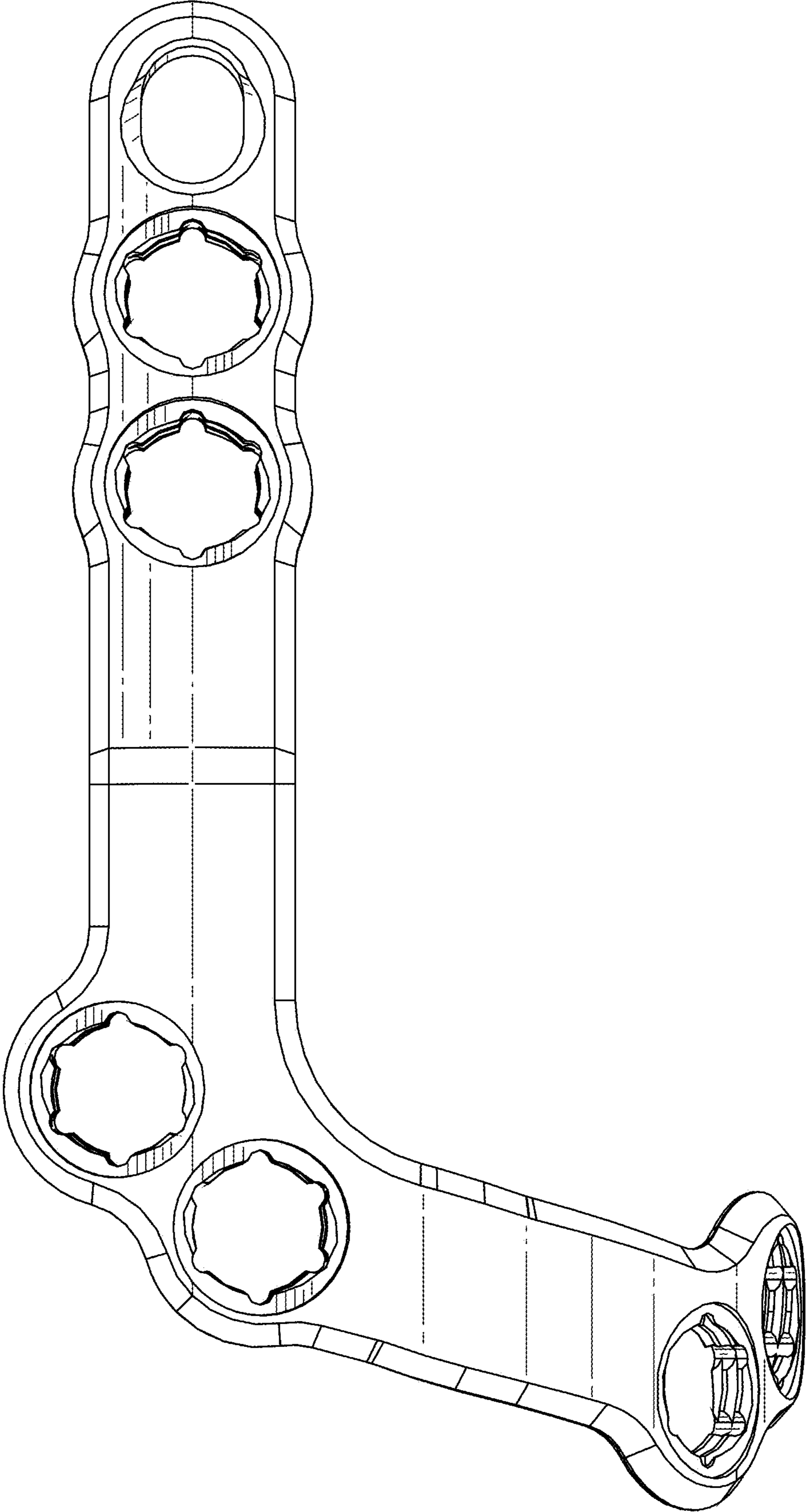


FIG. 20

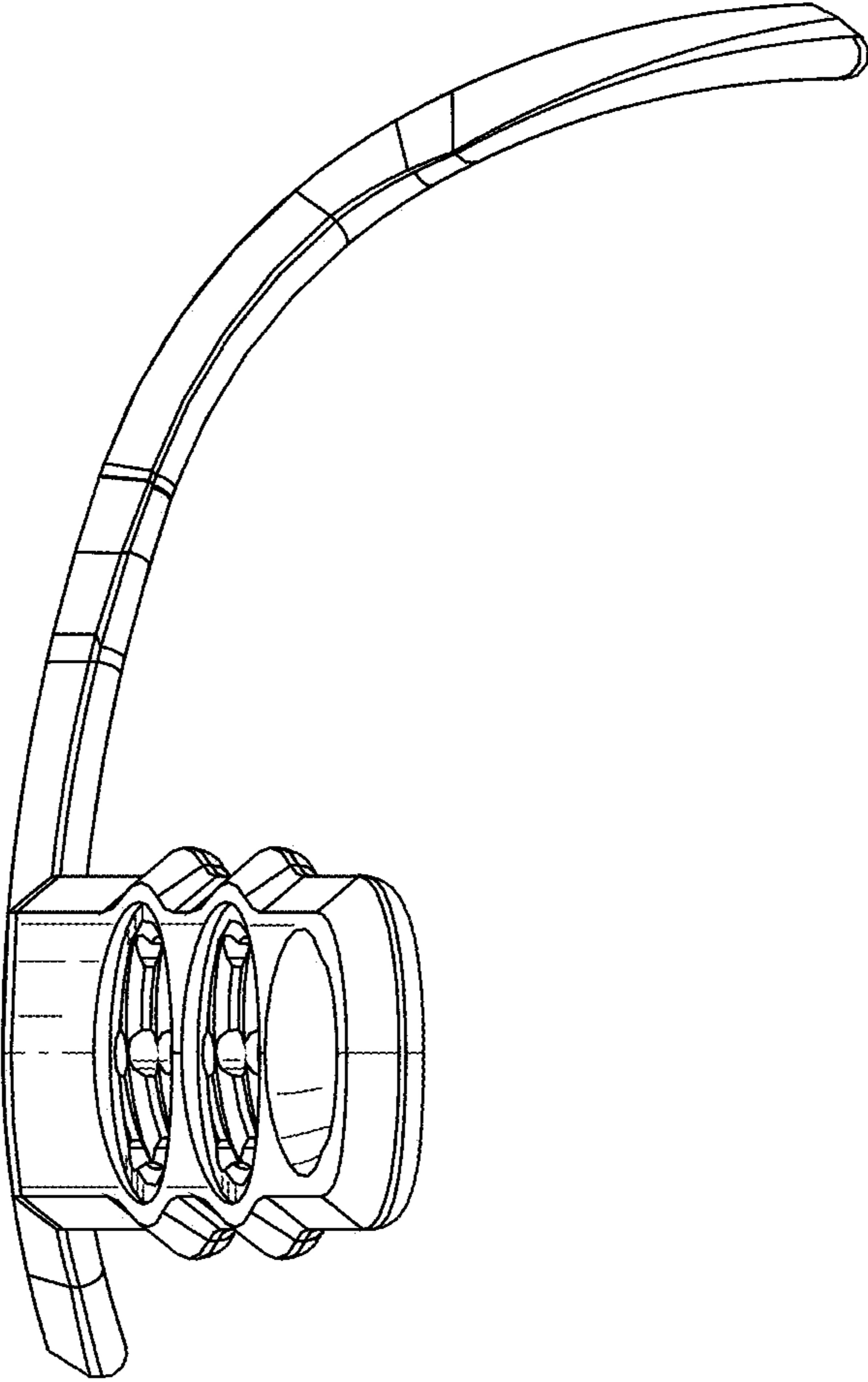


FIG. 21

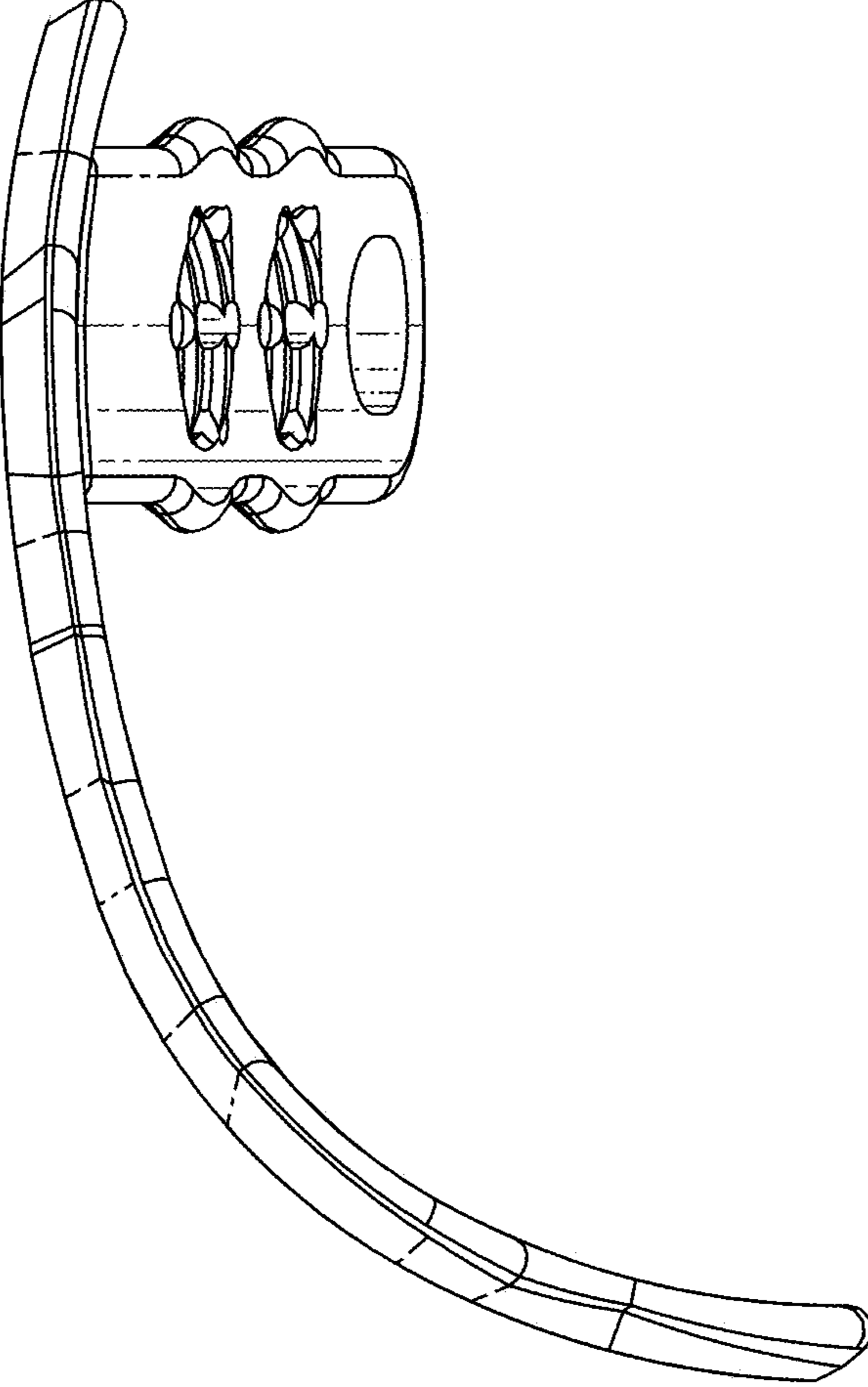


FIG. 22

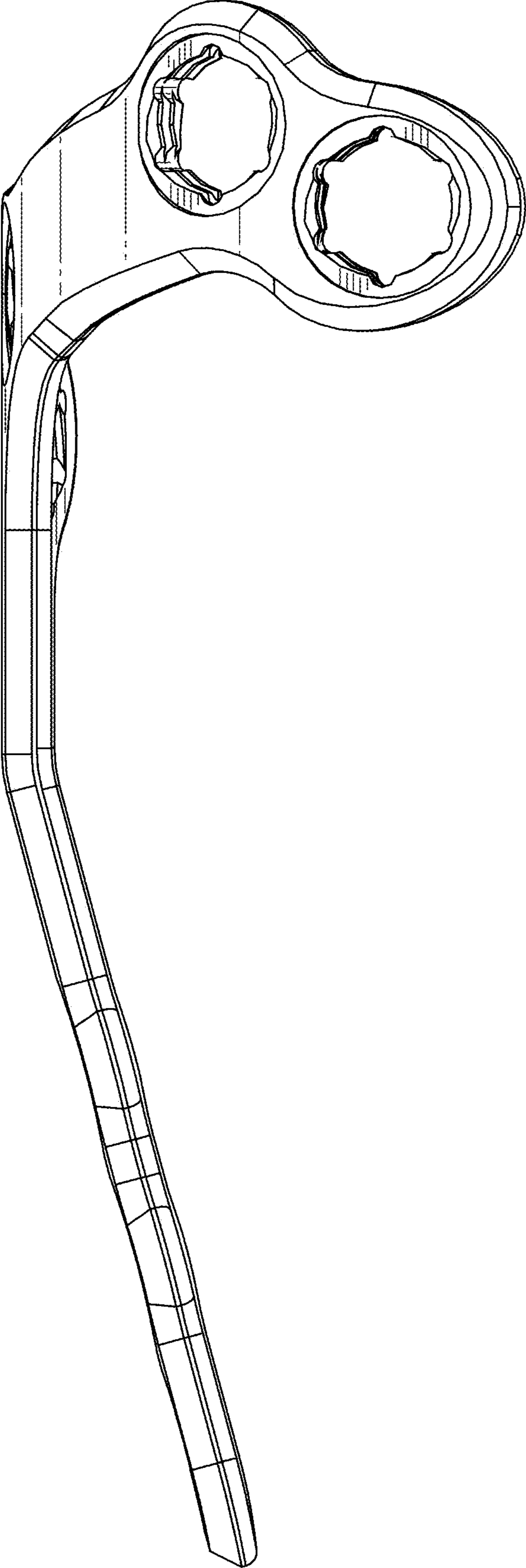


FIG. 23

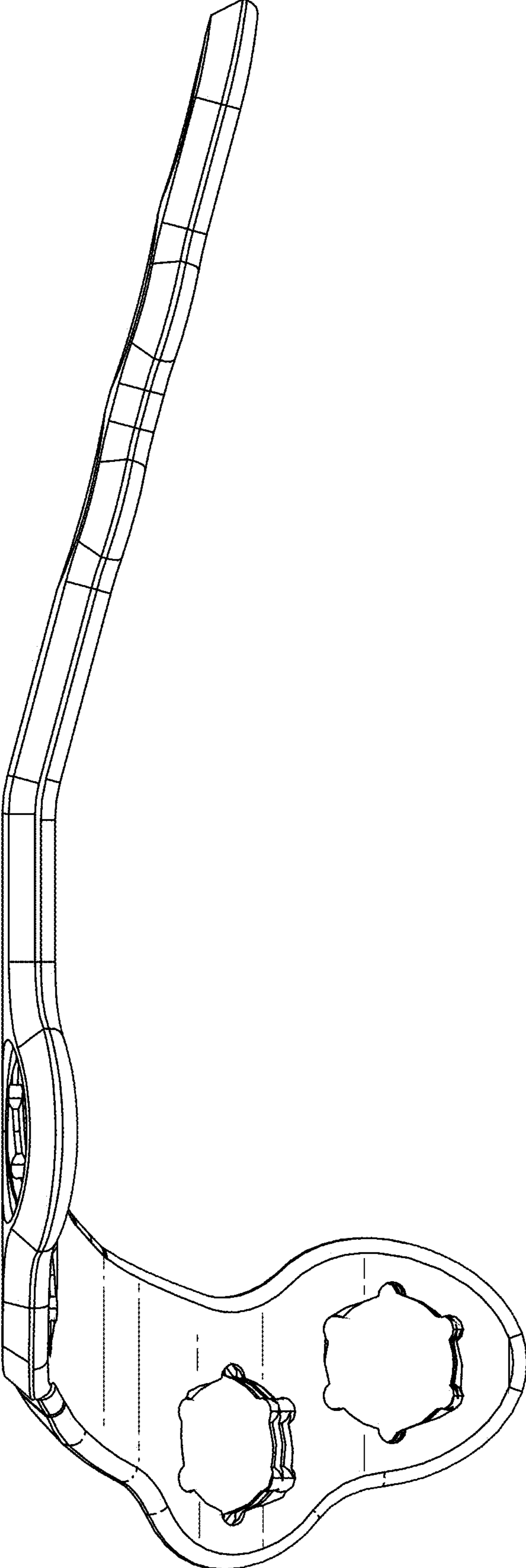


FIG. 24

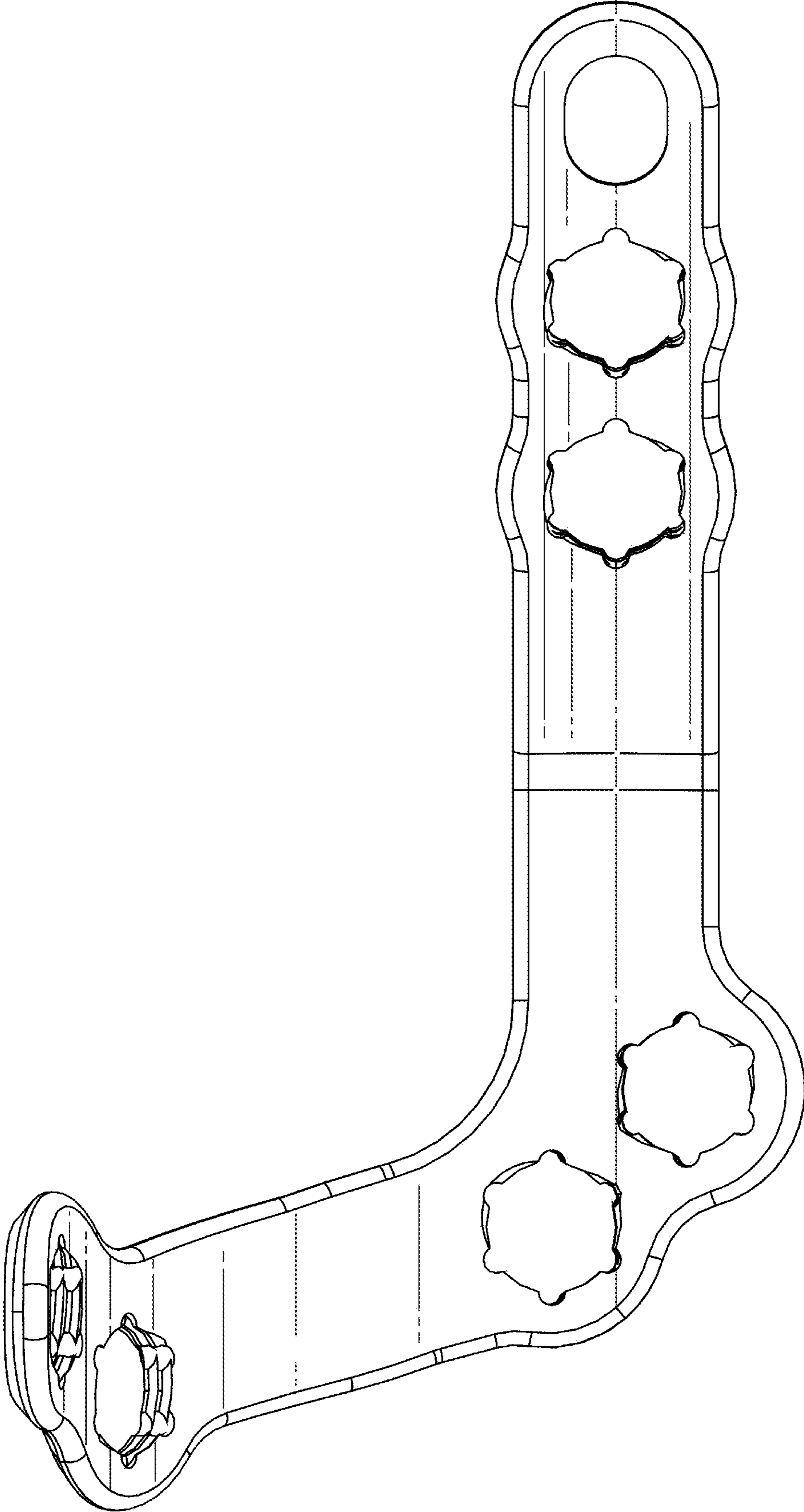


FIG. 25

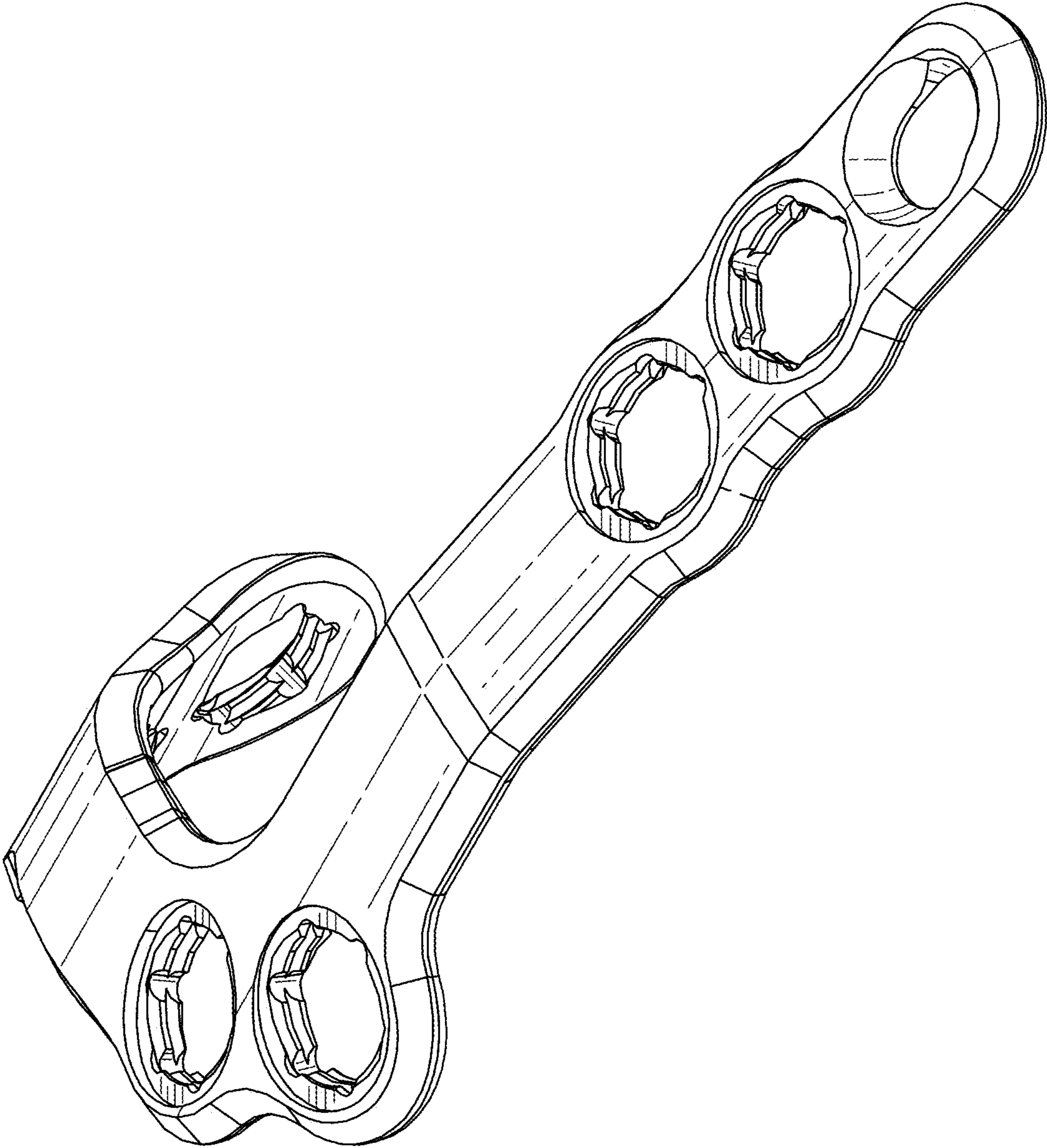


FIG. 26

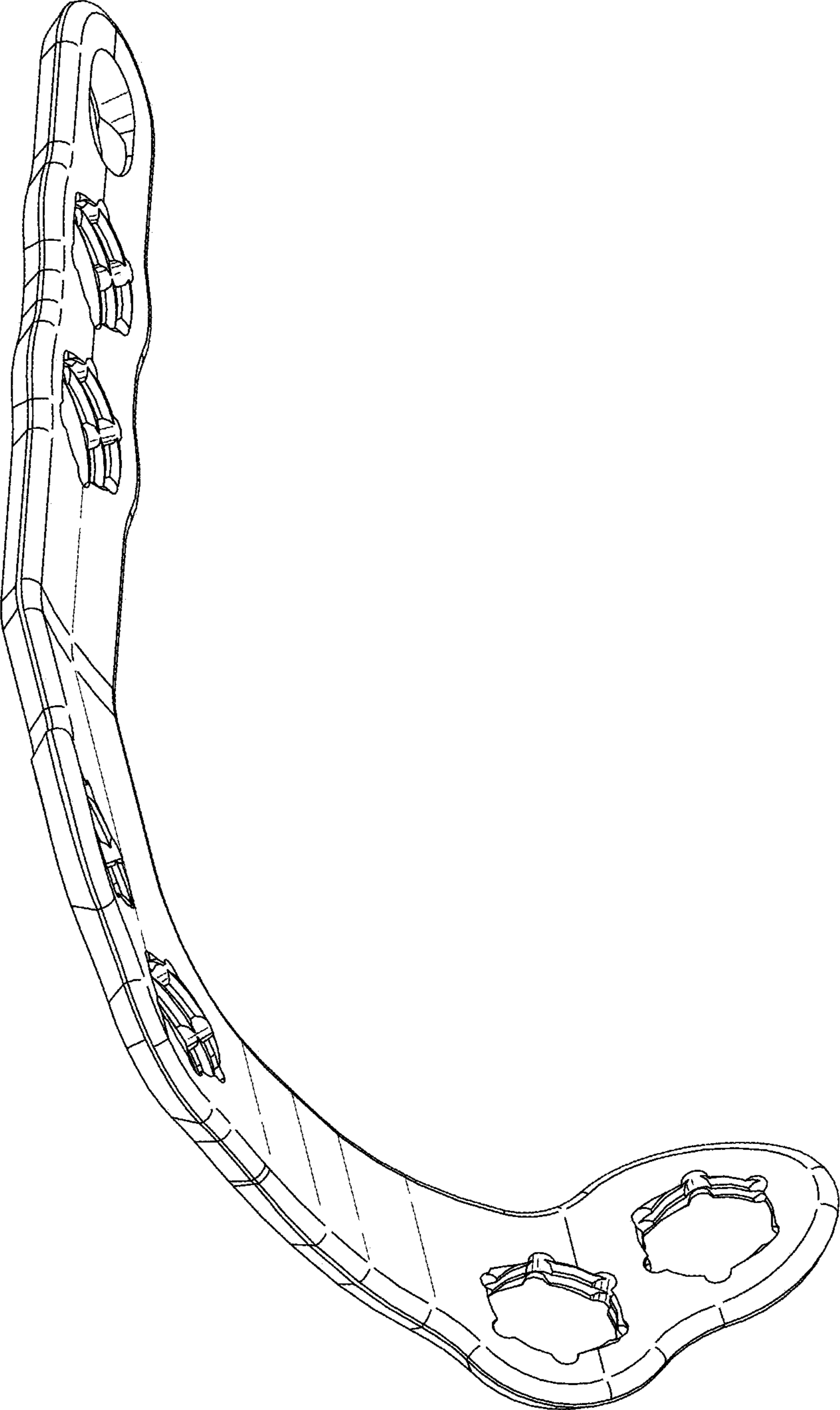


FIG. 27

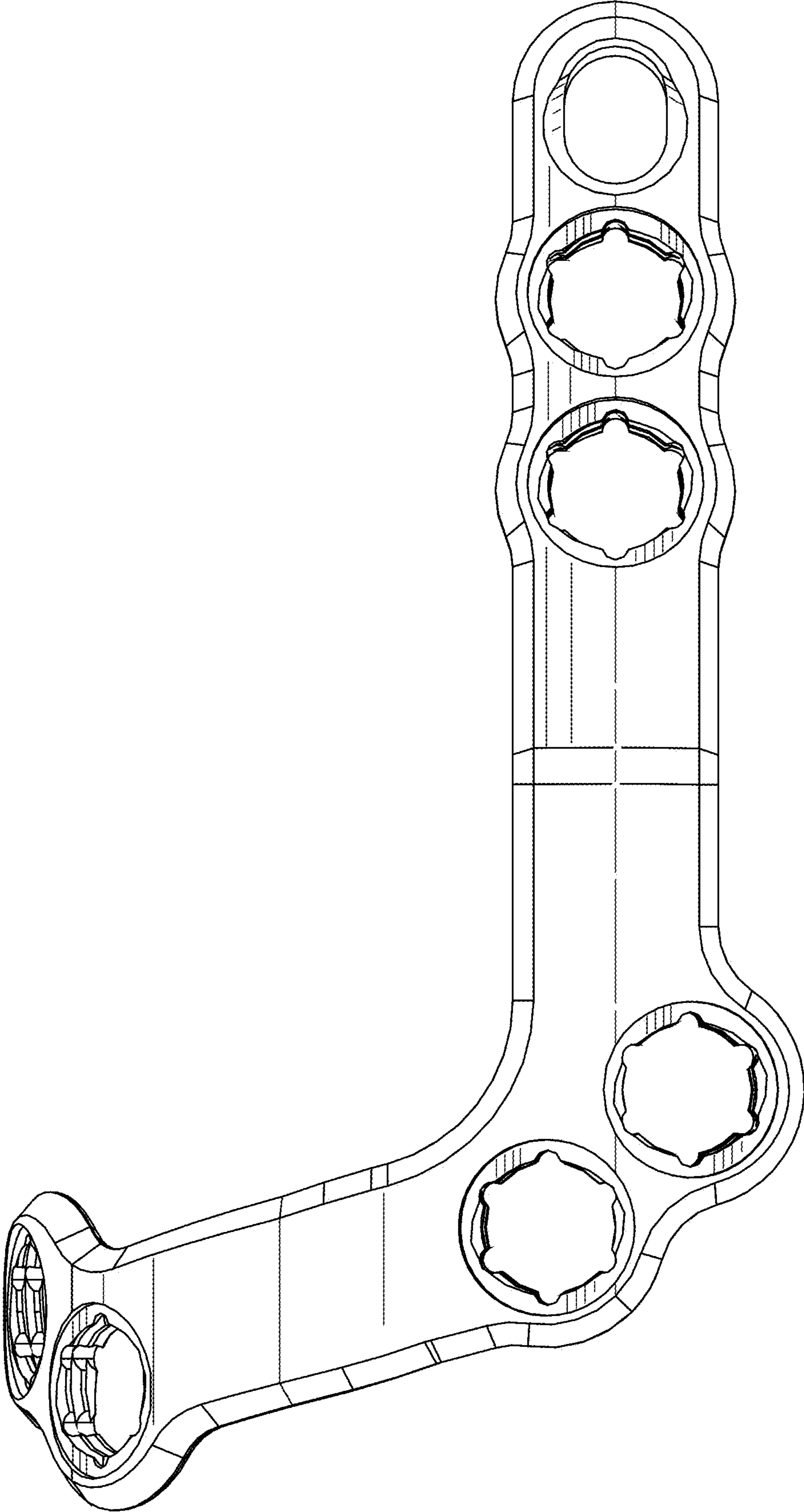


FIG. 28

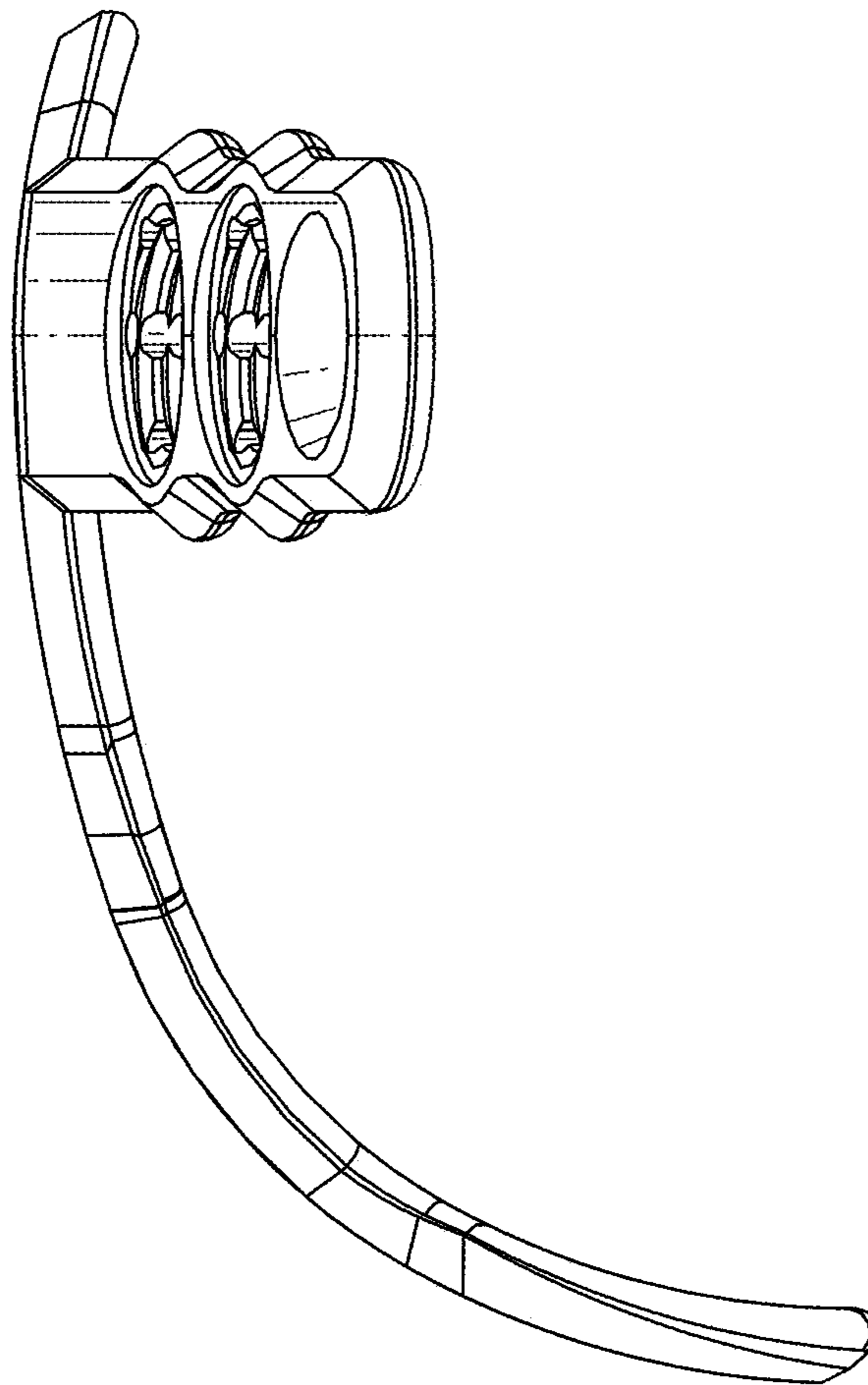


FIG. 29

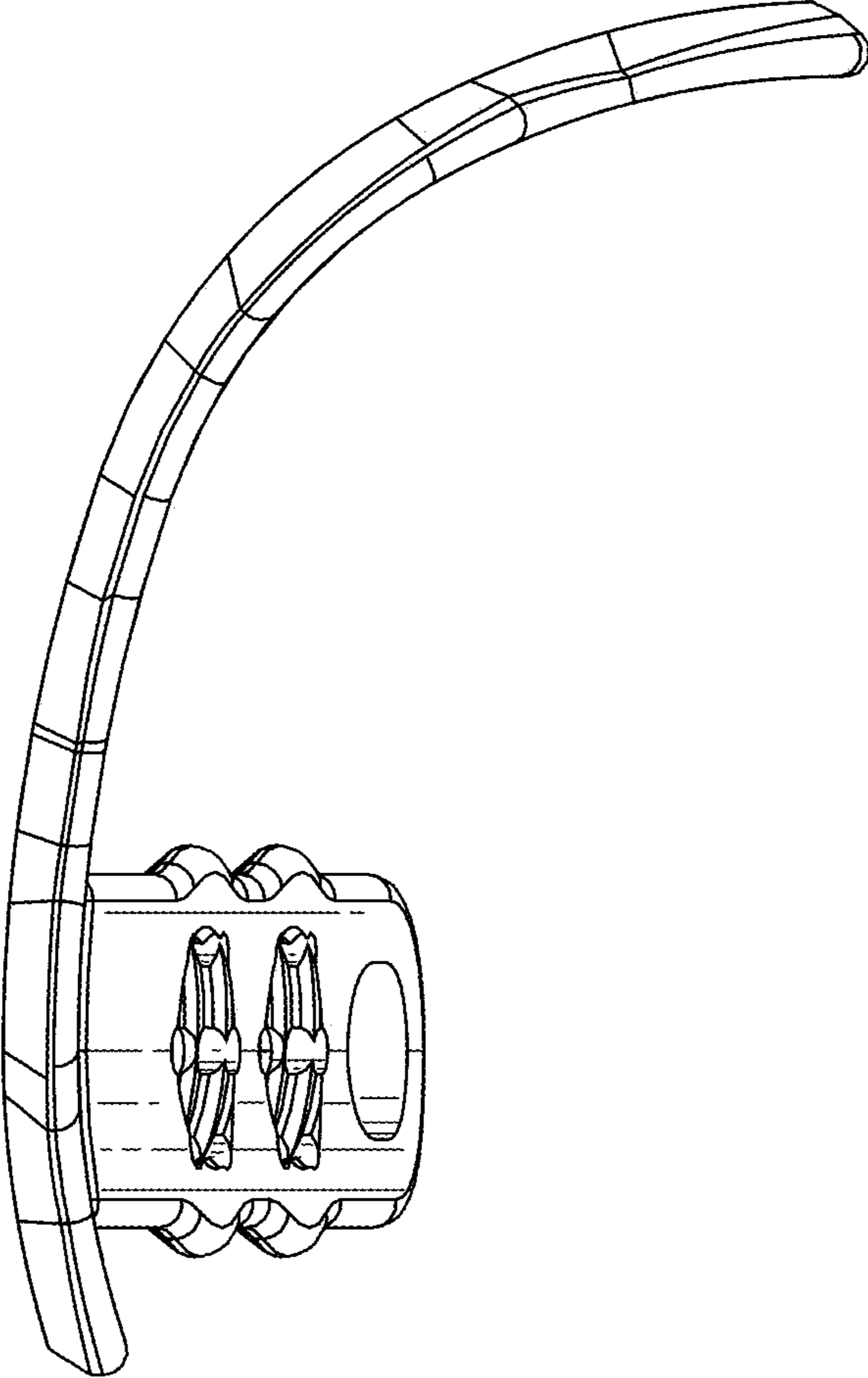


FIG. 30

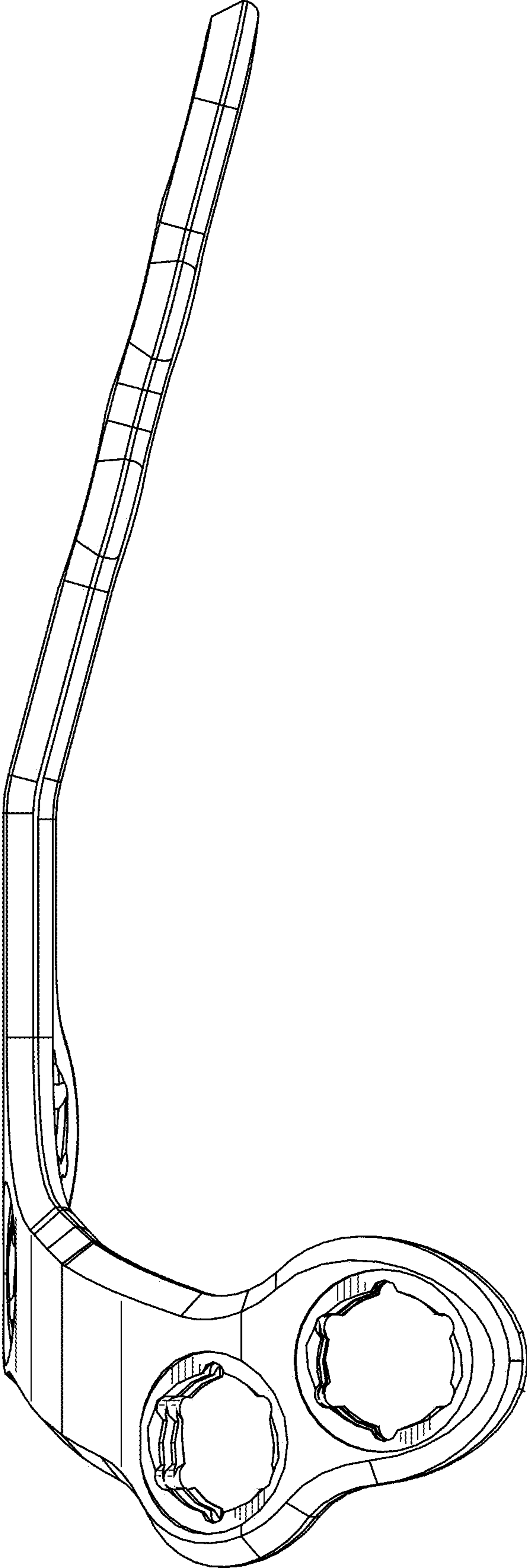


FIG. 31

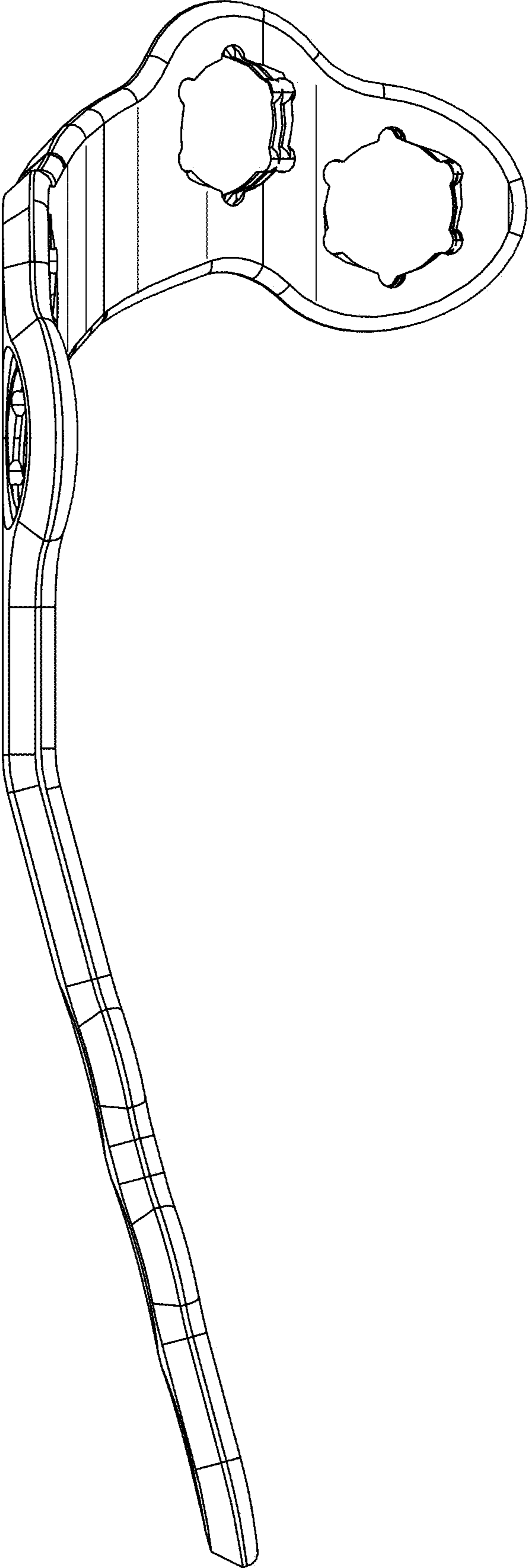


FIG. 32

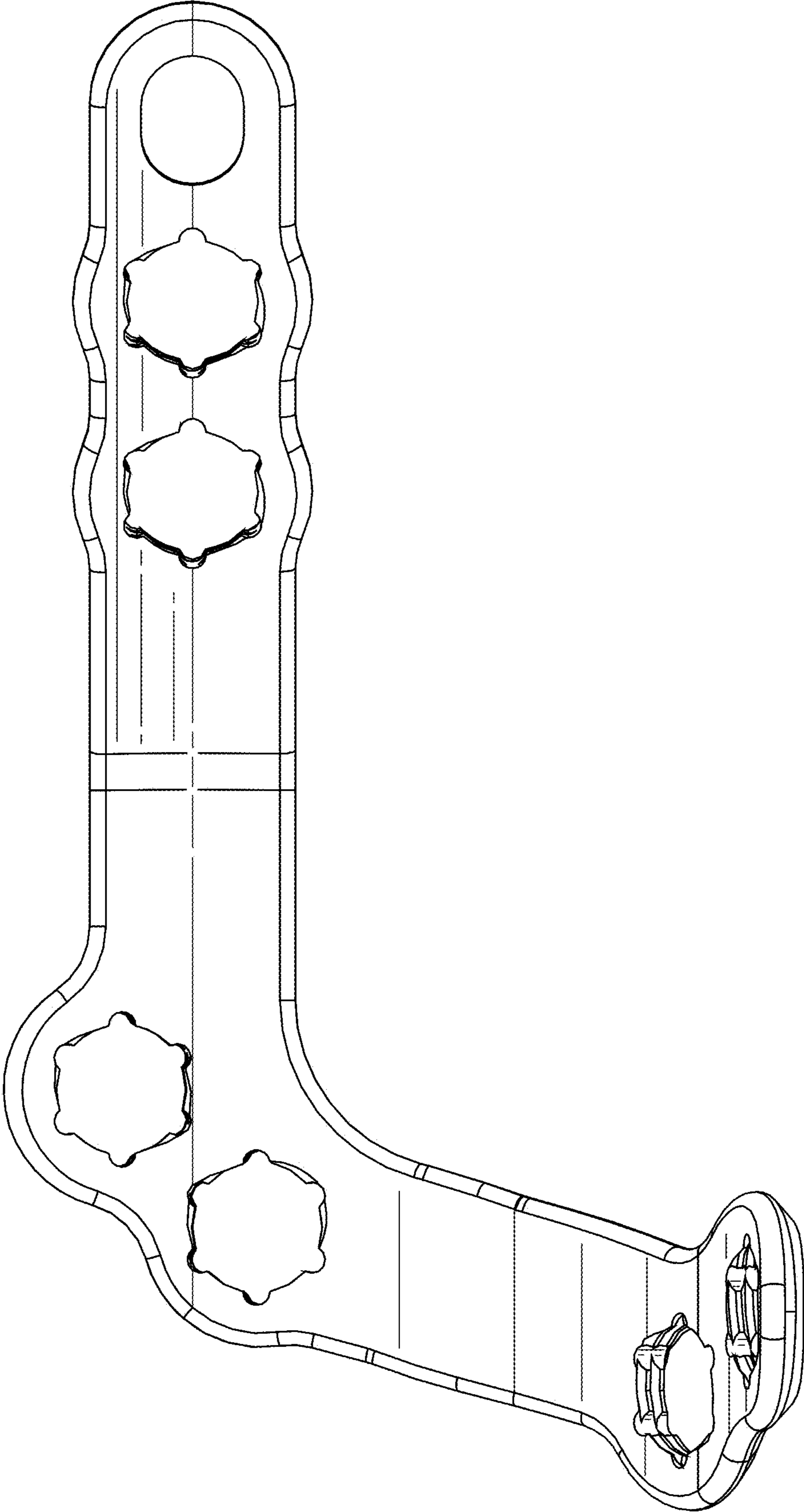


FIG. 33

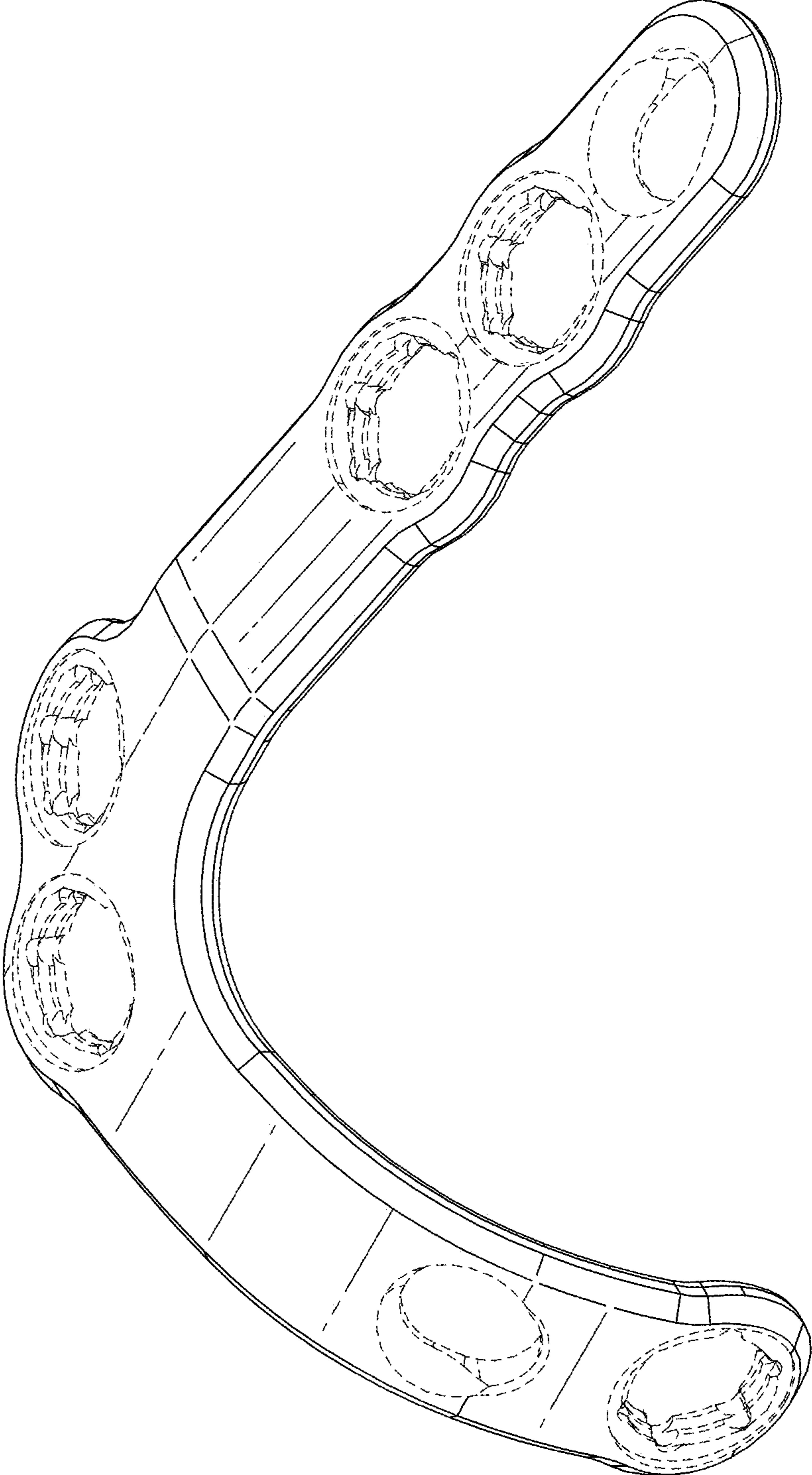


FIG. 34

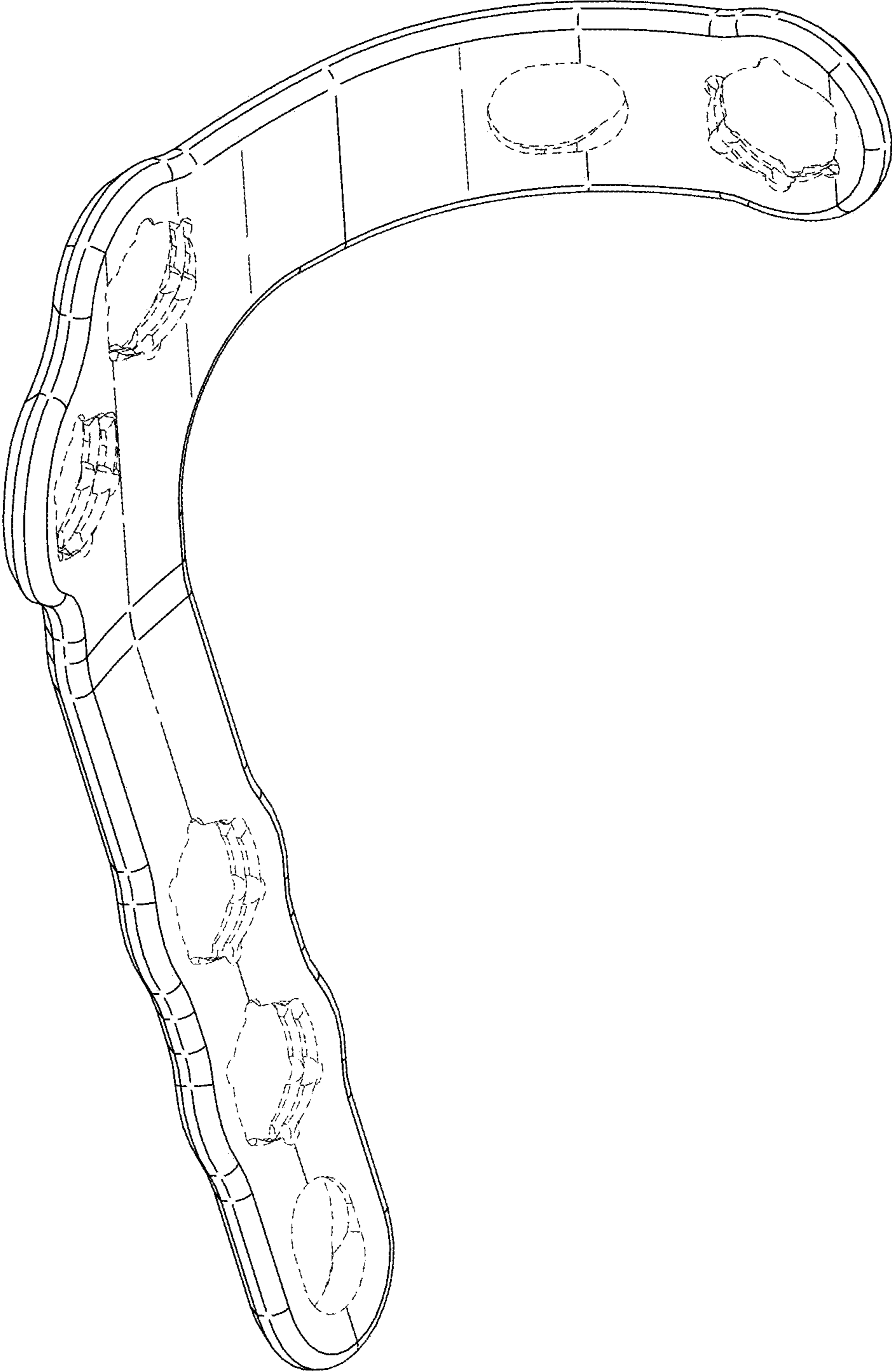


FIG. 35

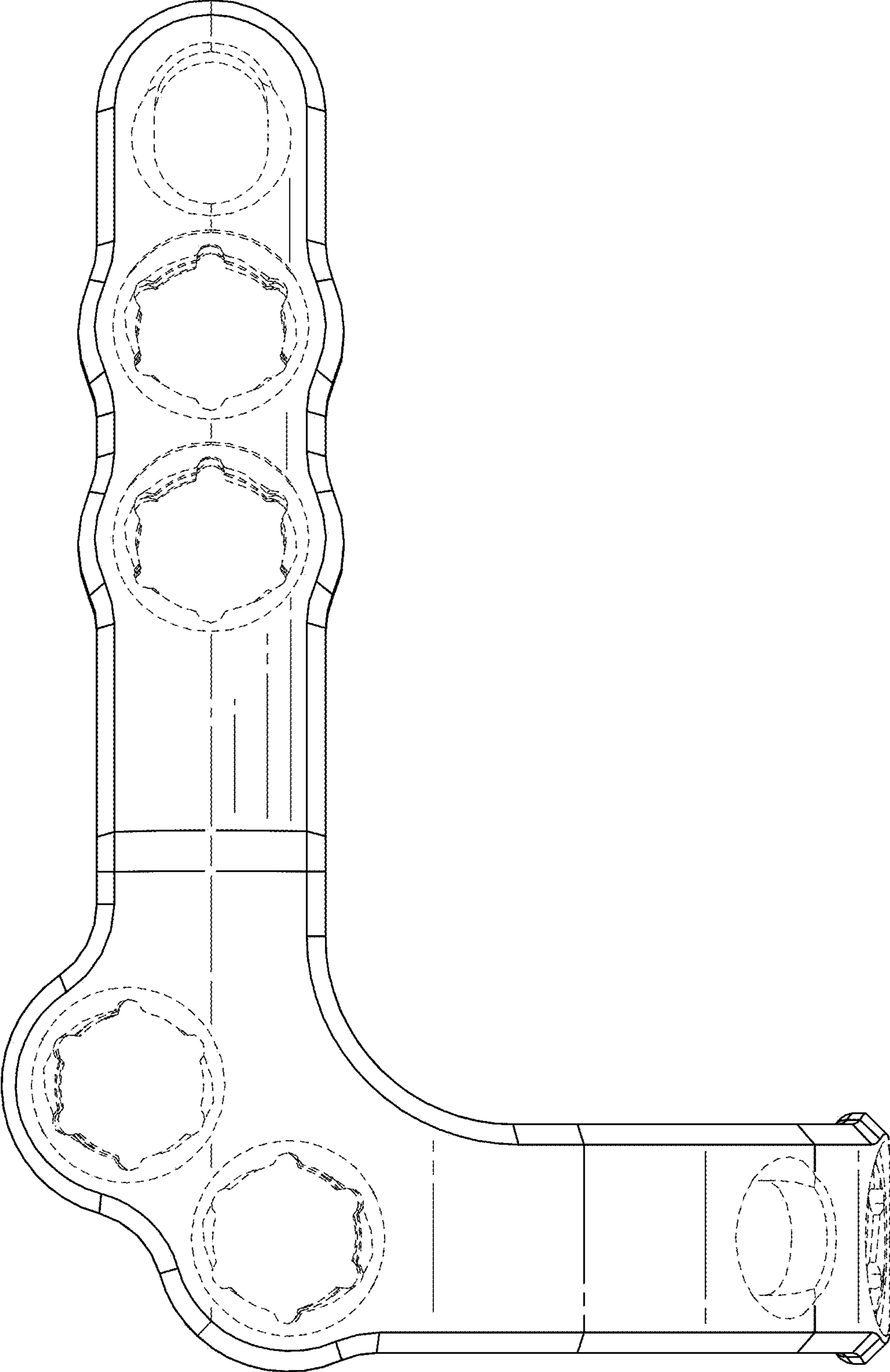


FIG. 36

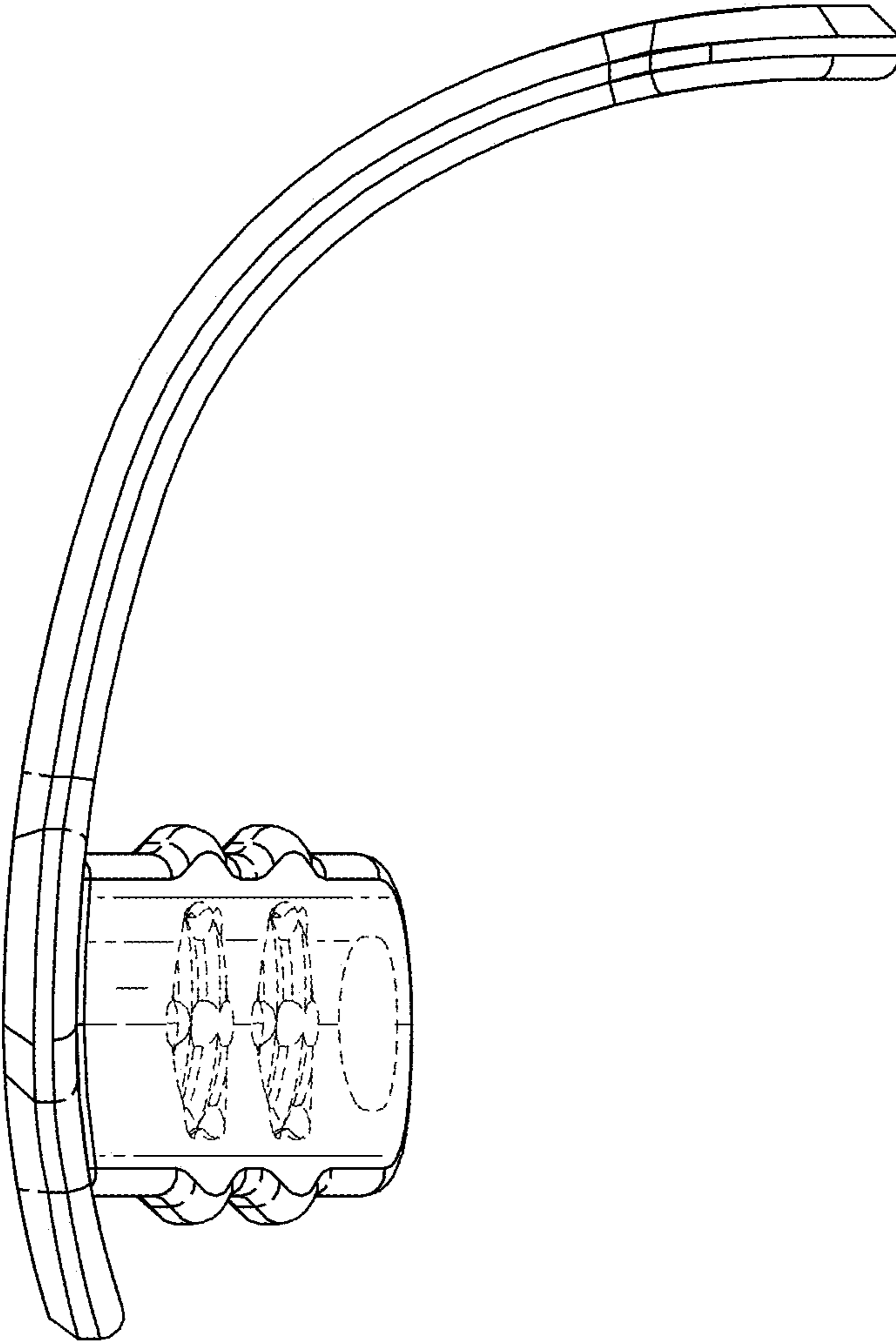


FIG. 37

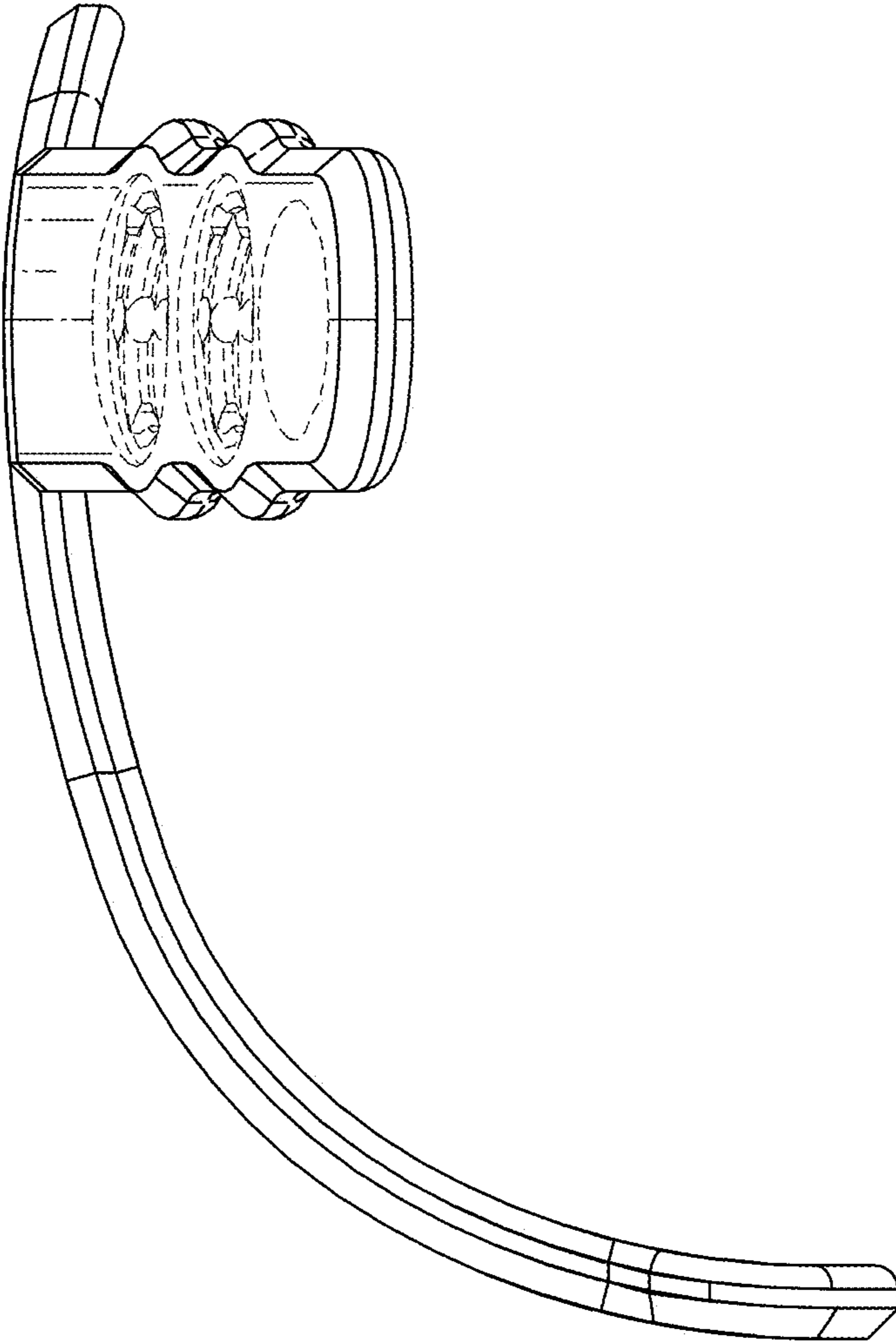


FIG. 38

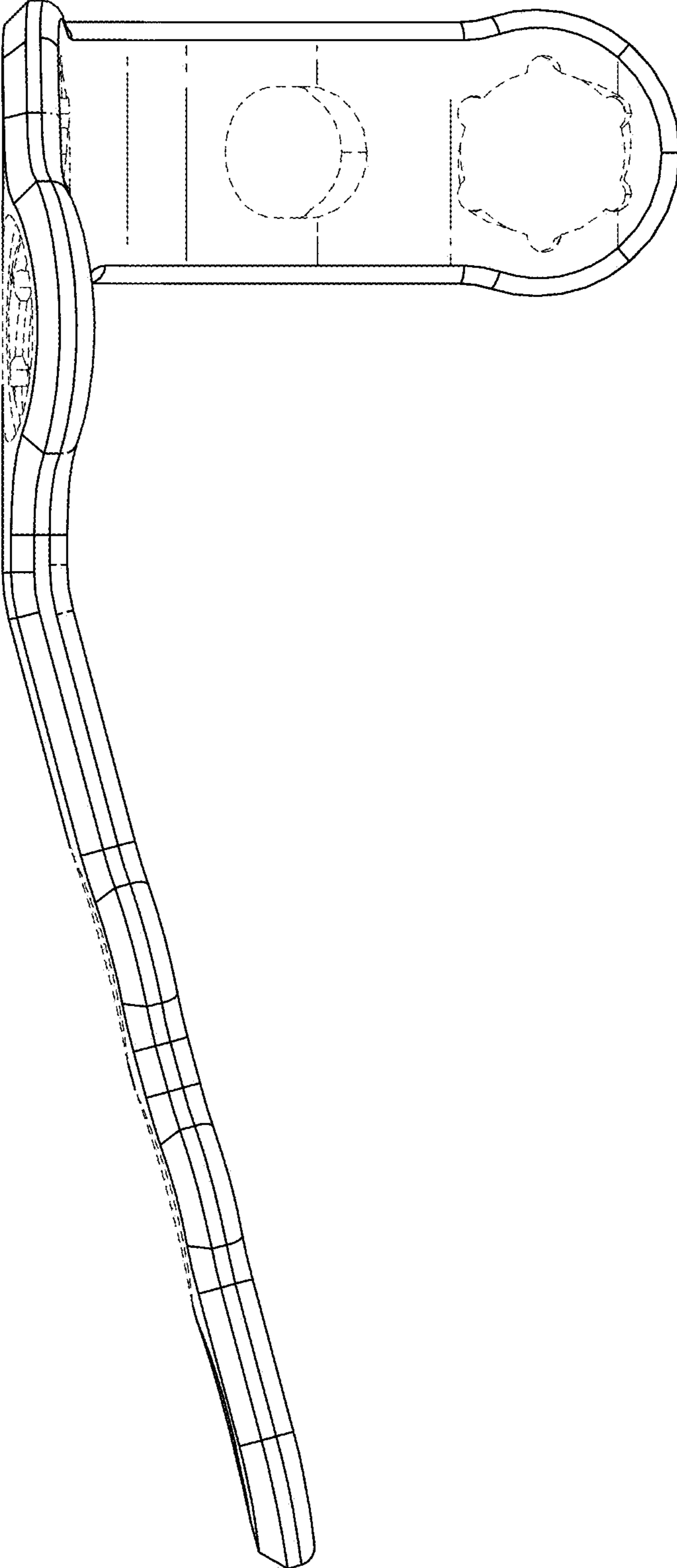


FIG. 39

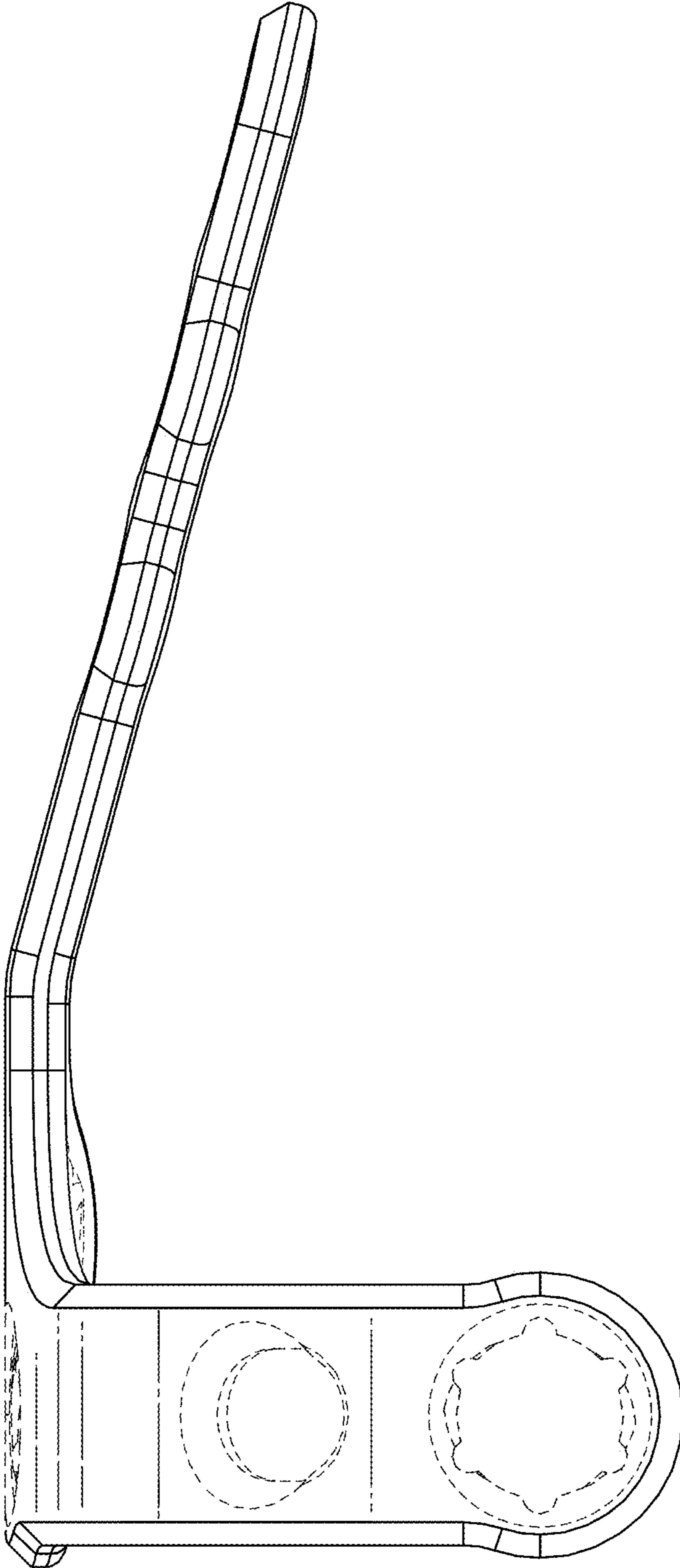


FIG. 40

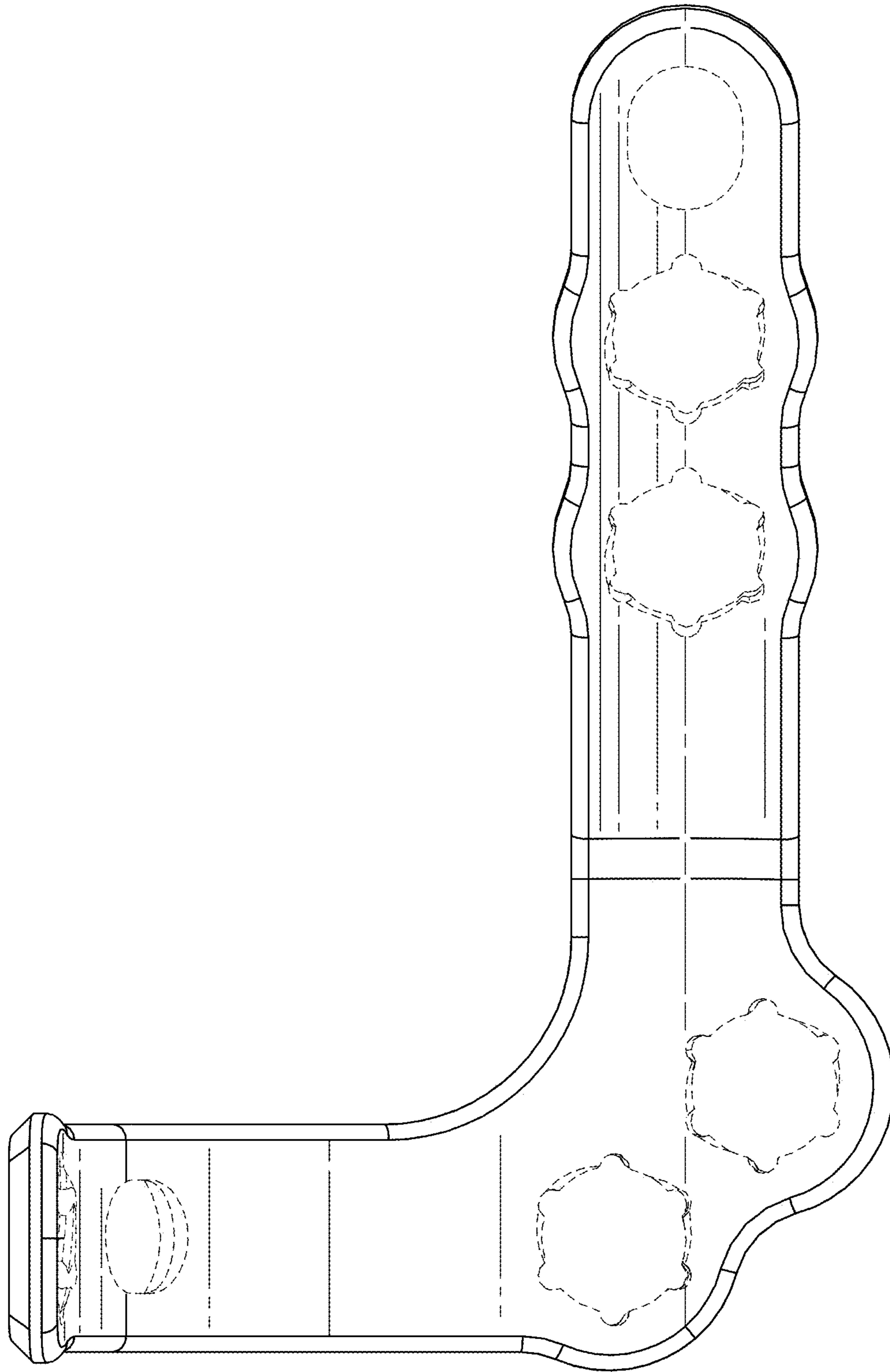


FIG. 41

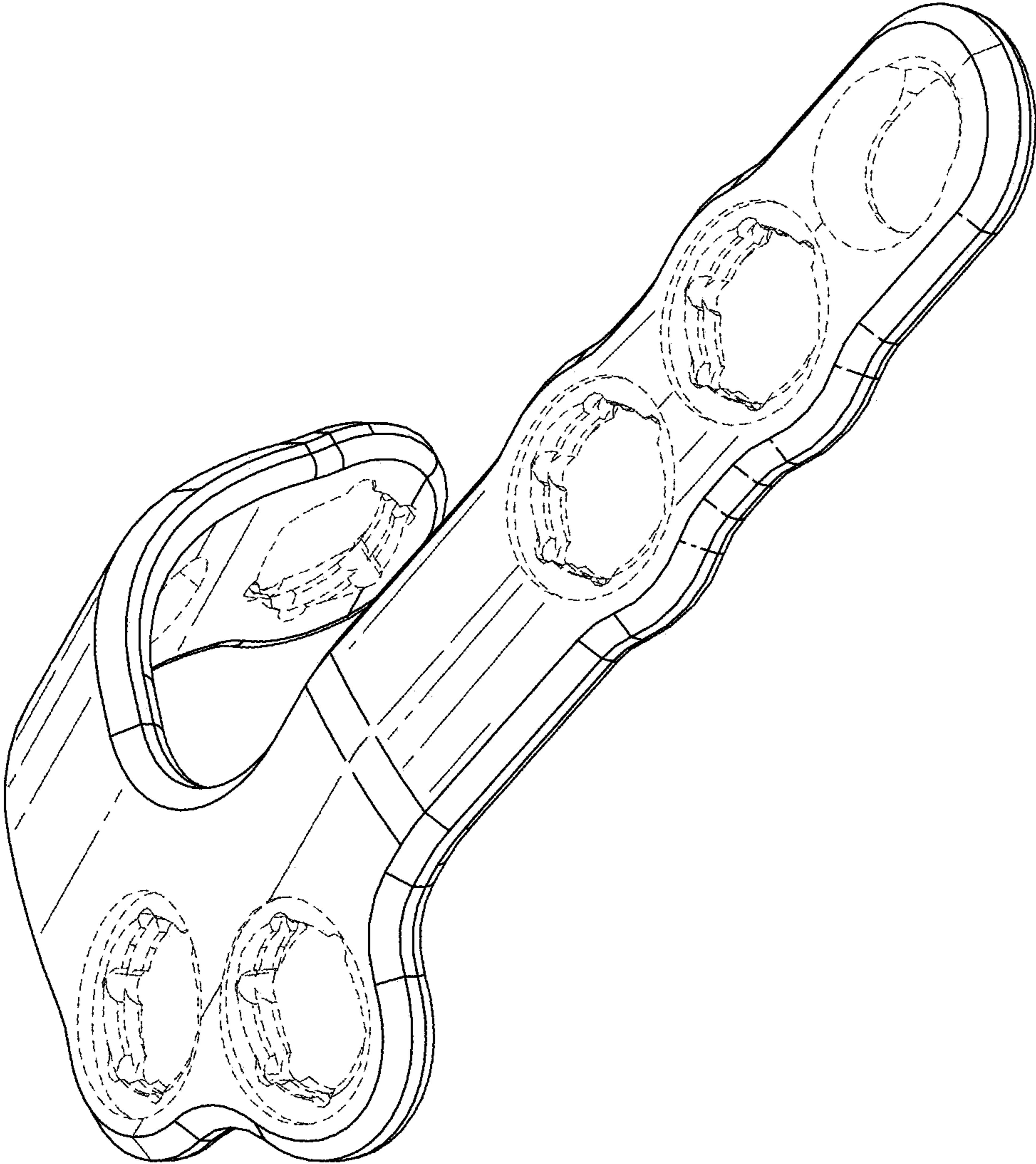


FIG. 42

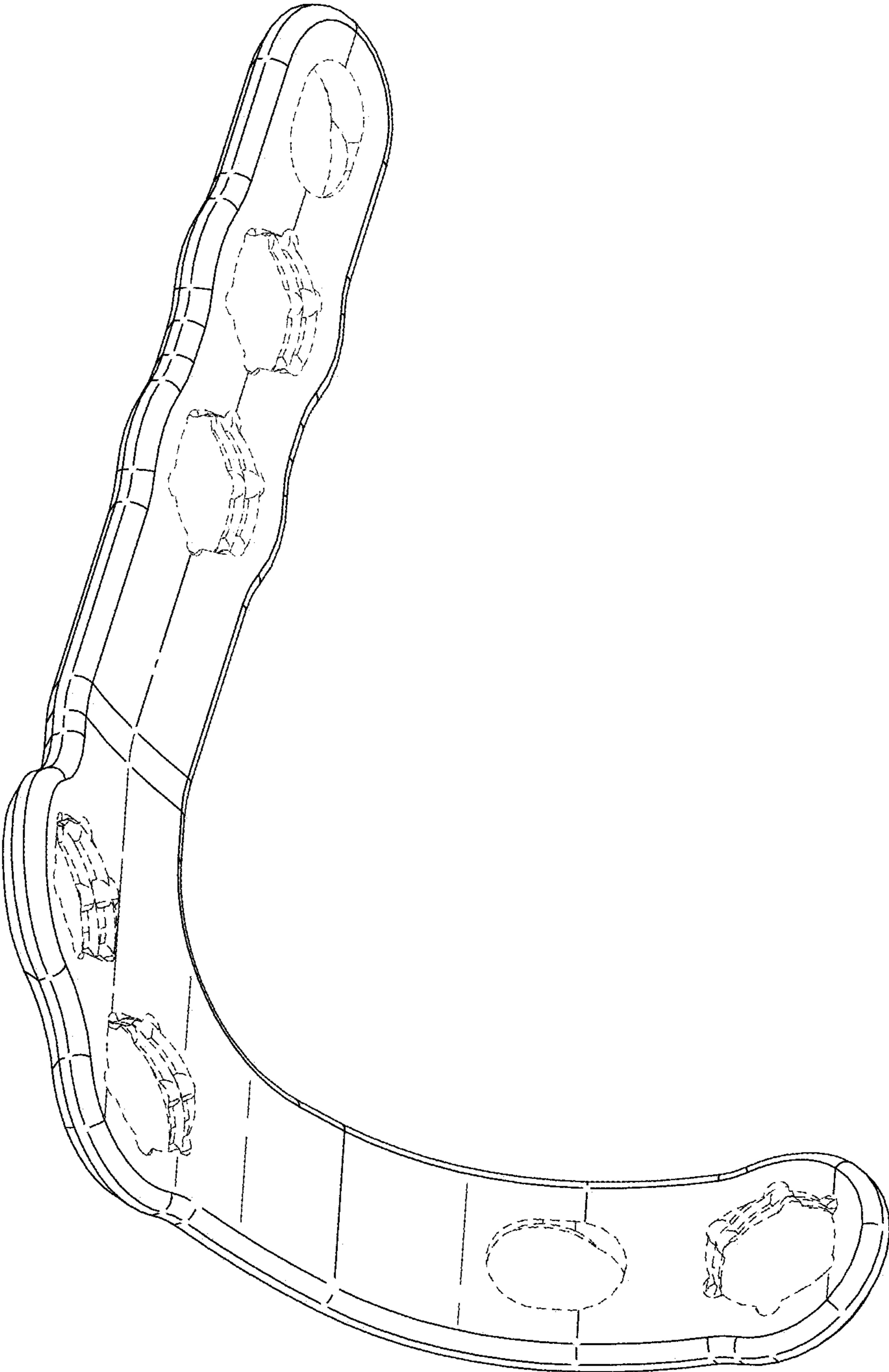


FIG. 43

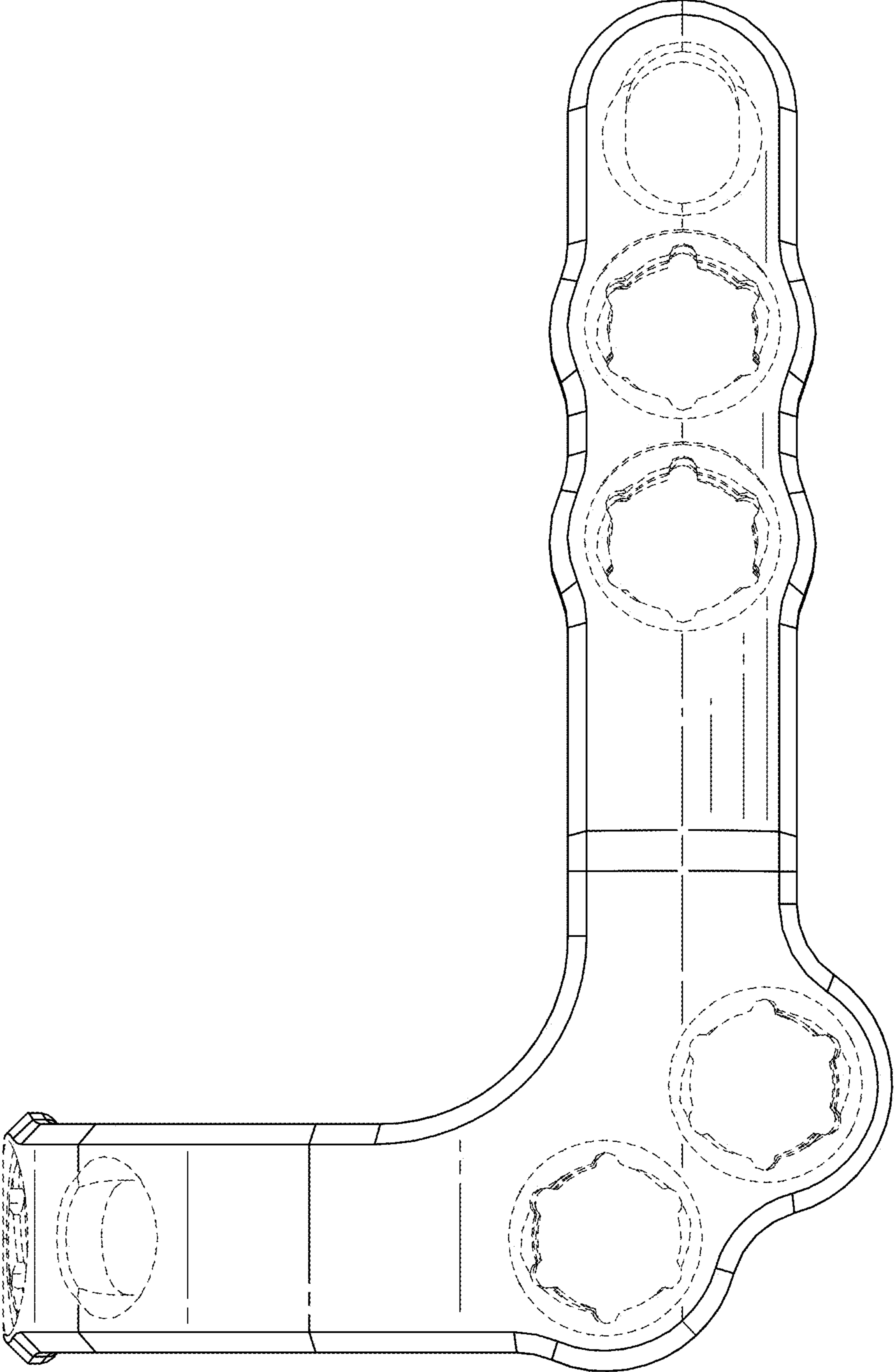


FIG. 44

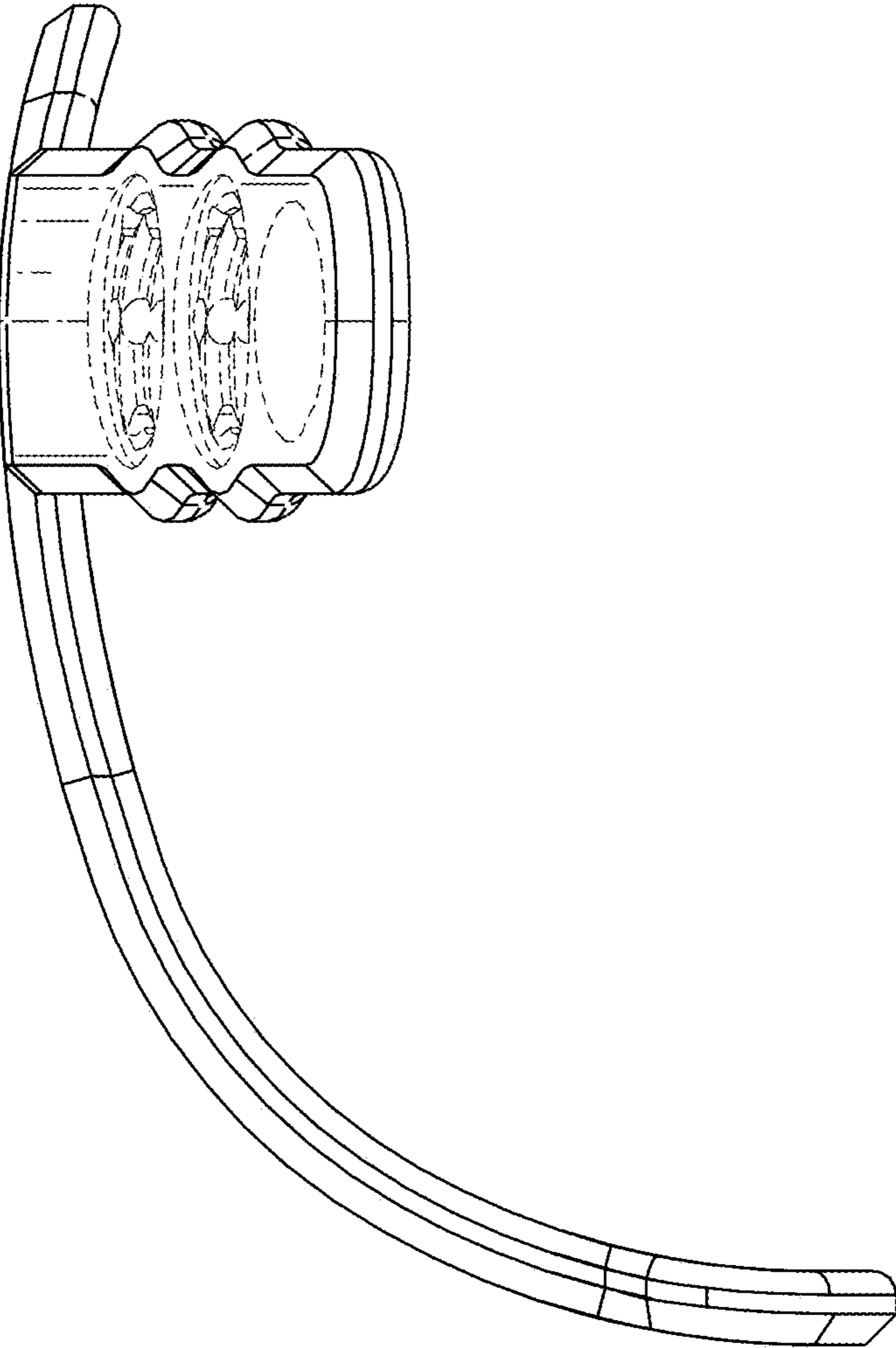


FIG. 45

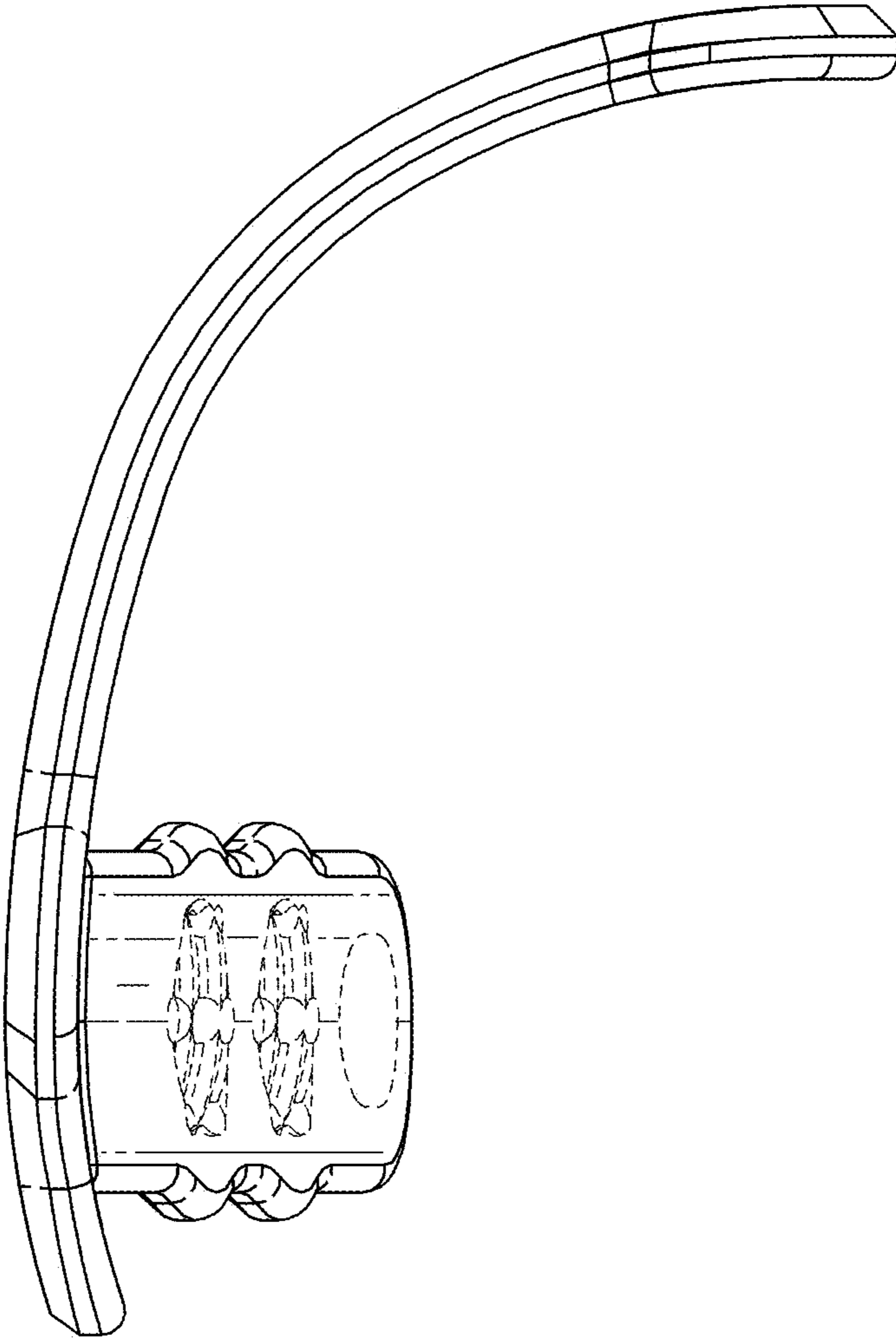


FIG. 46

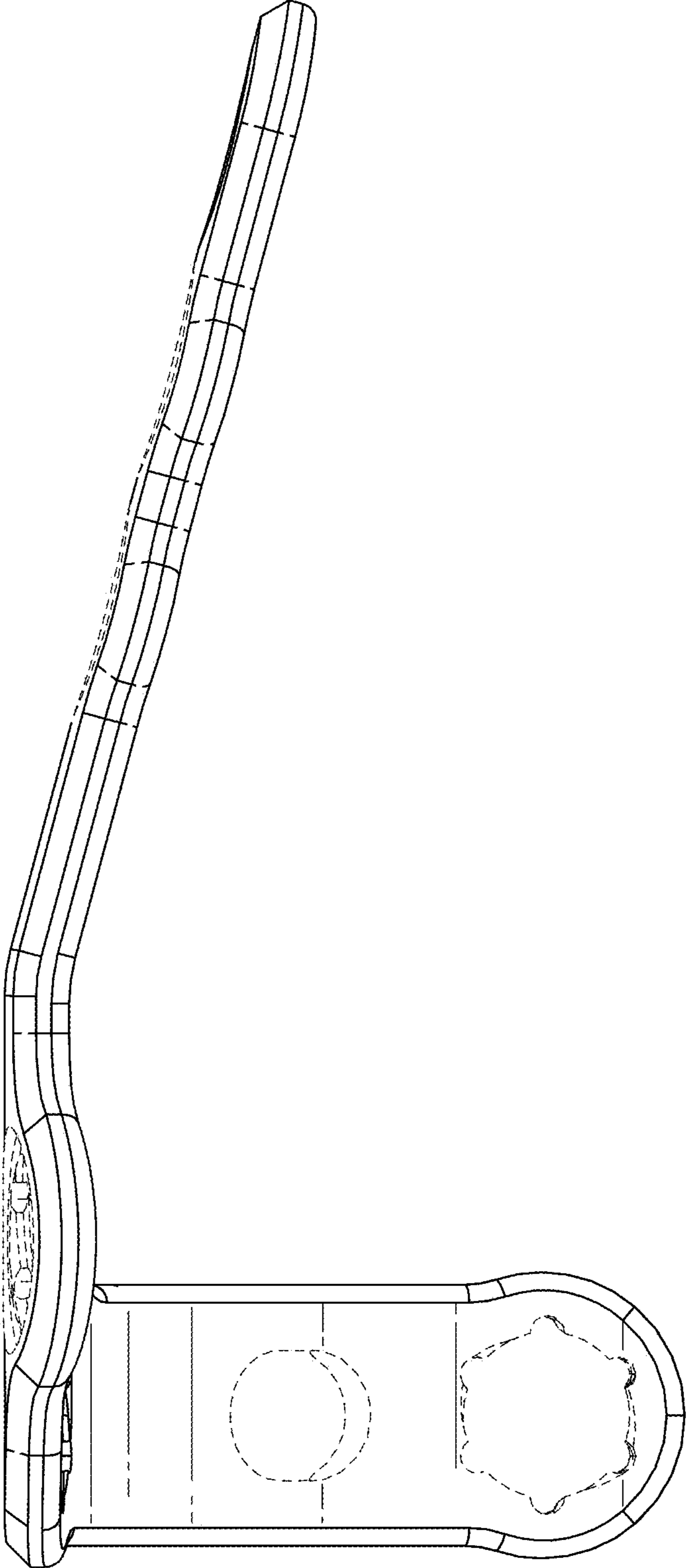


FIG. 47

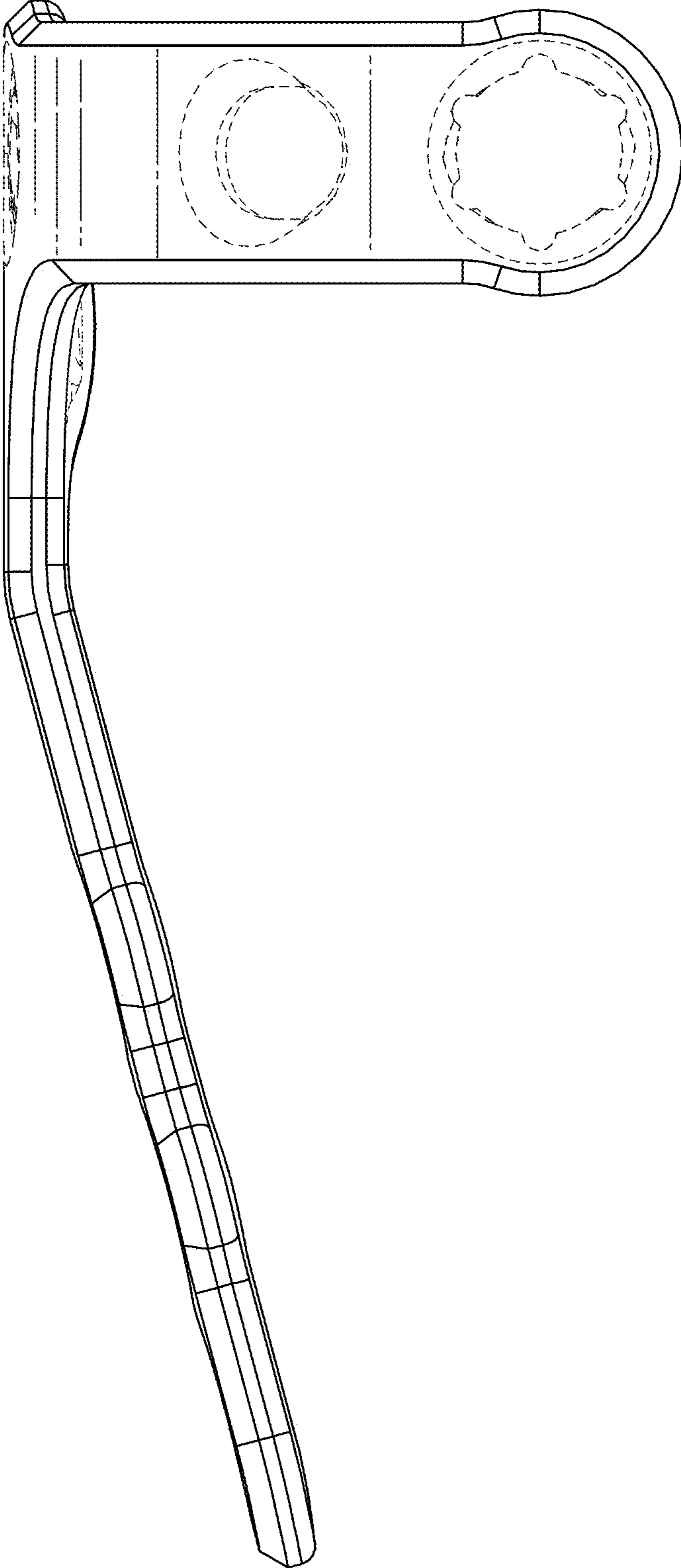


FIG. 48

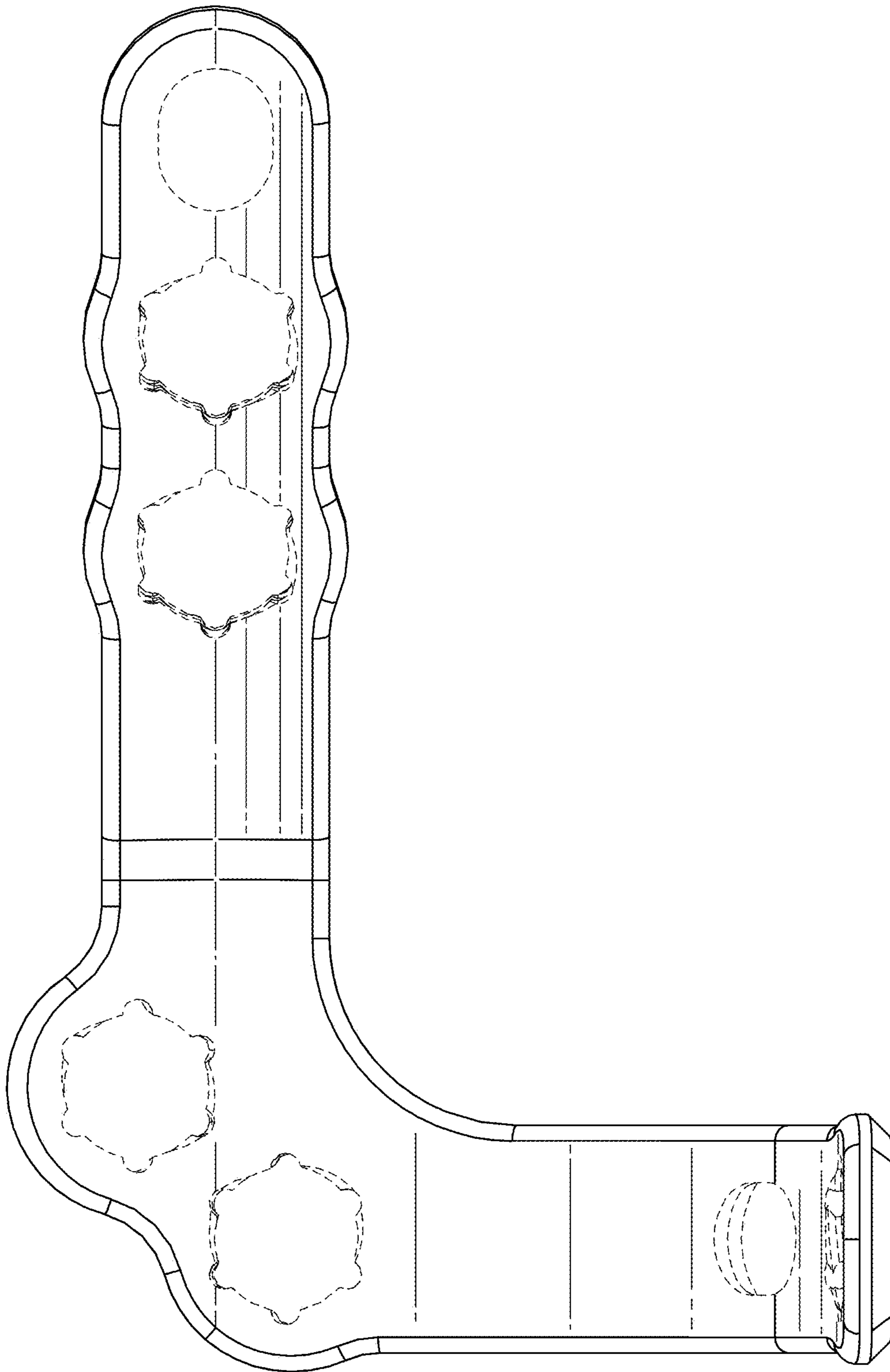


FIG. 49

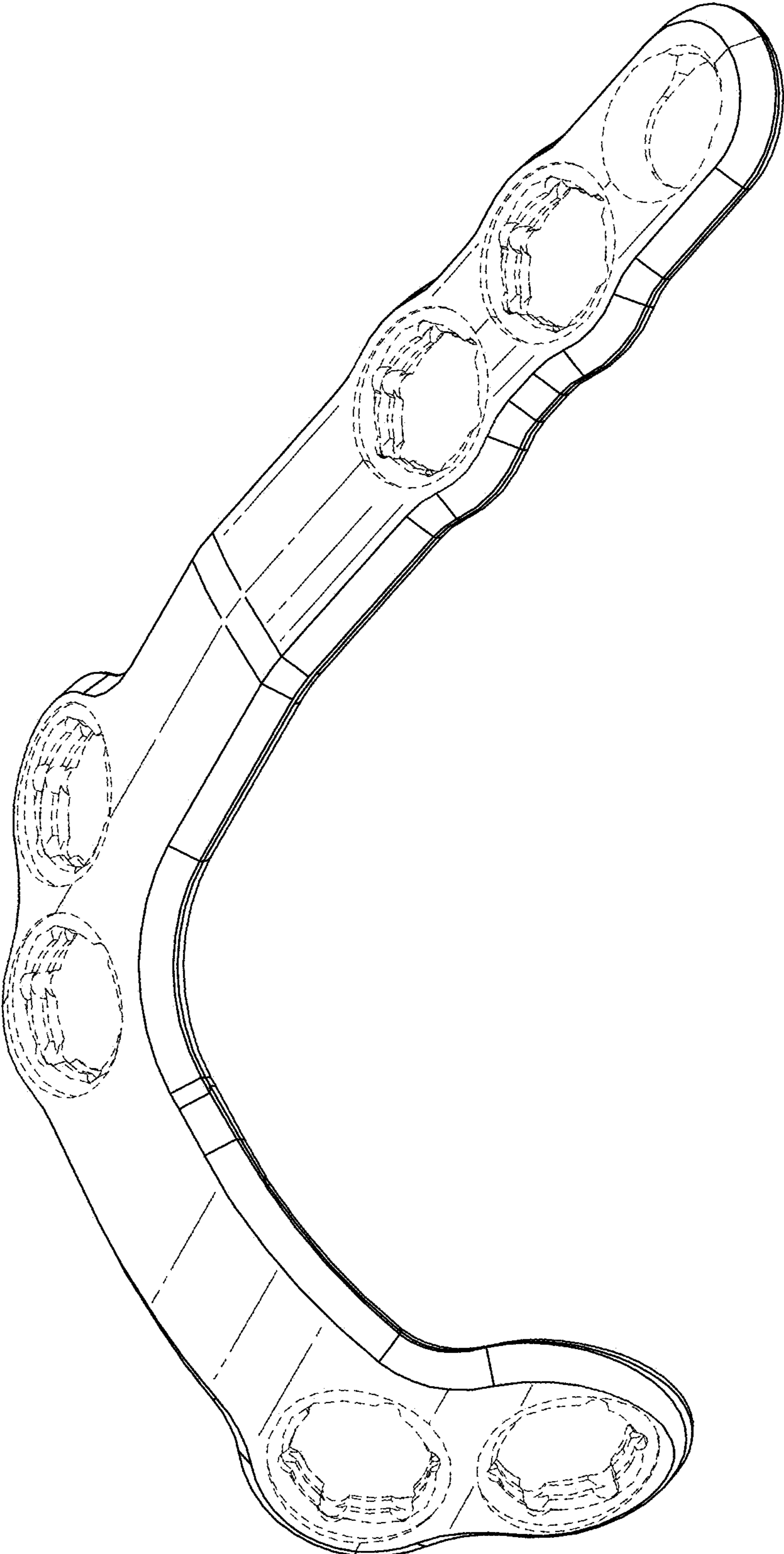


FIG. 50

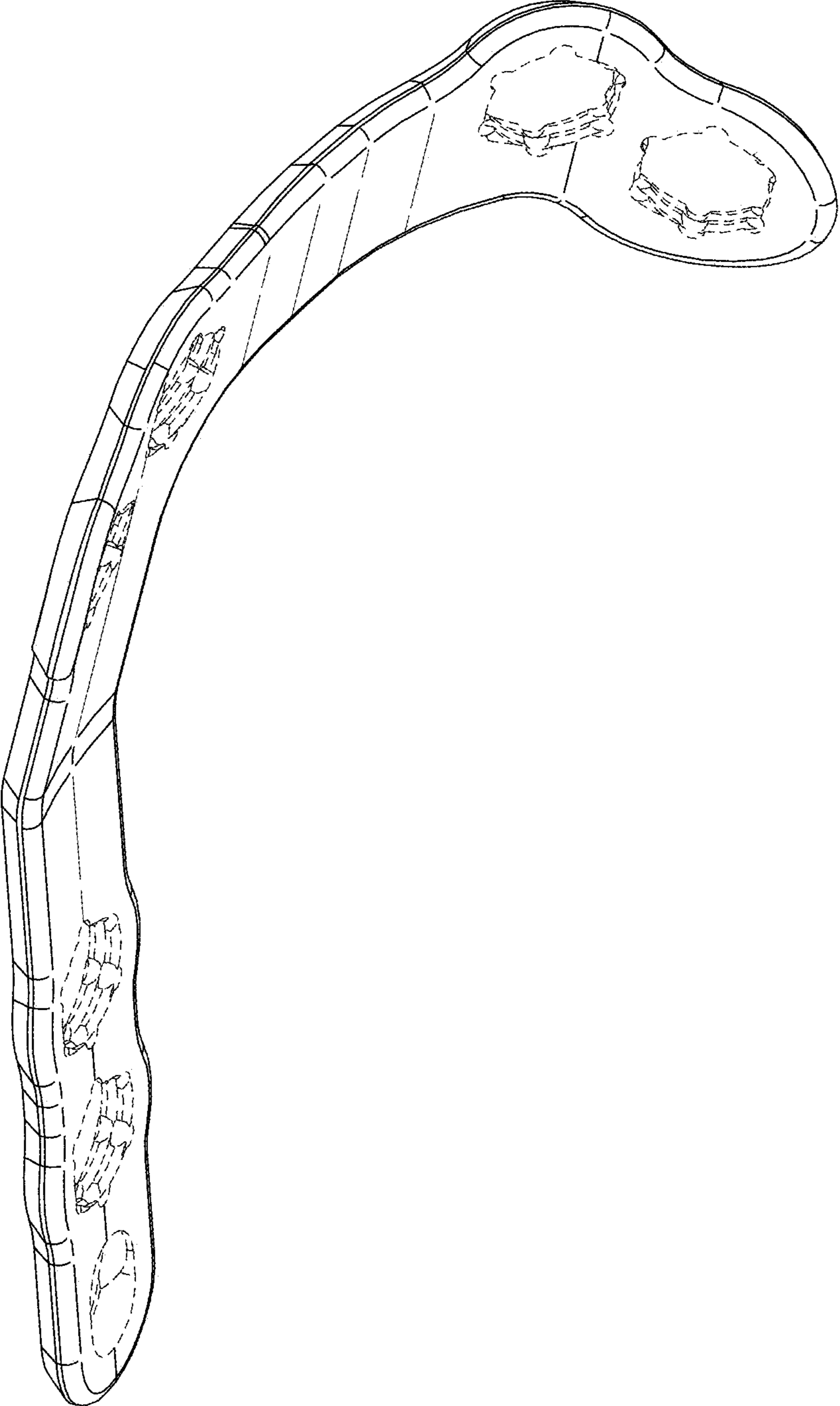


FIG. 51

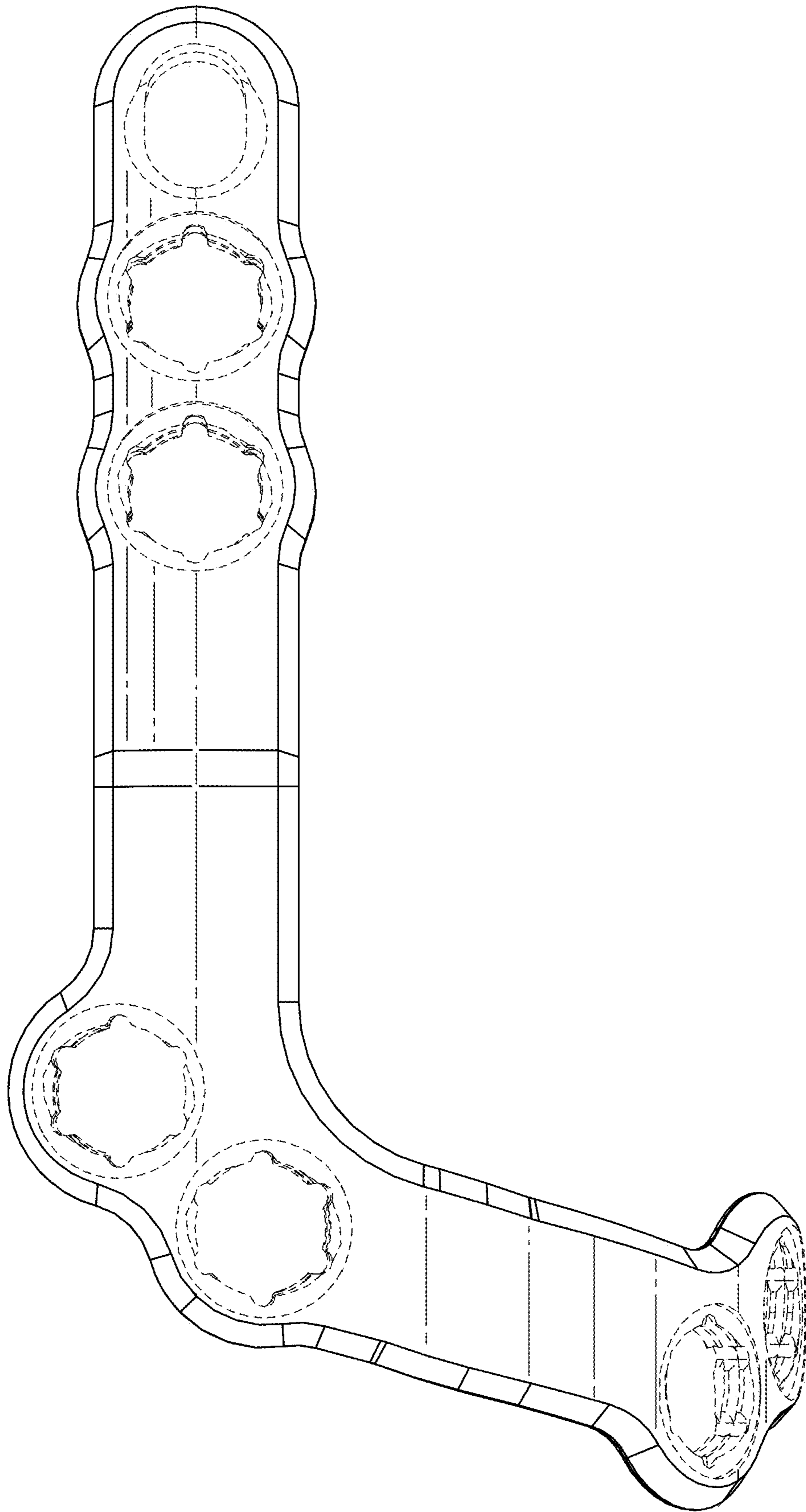


FIG. 52

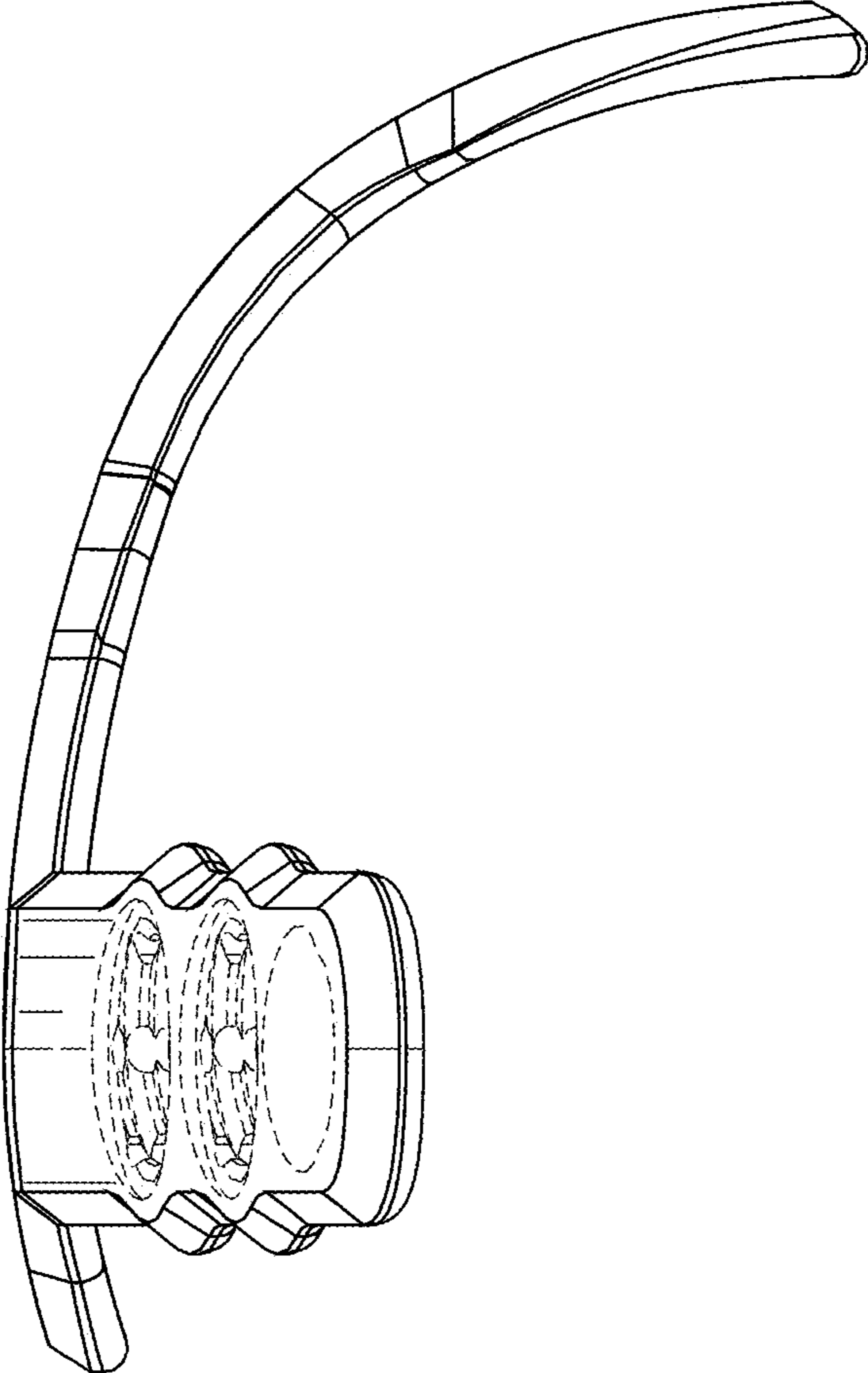


FIG. 53

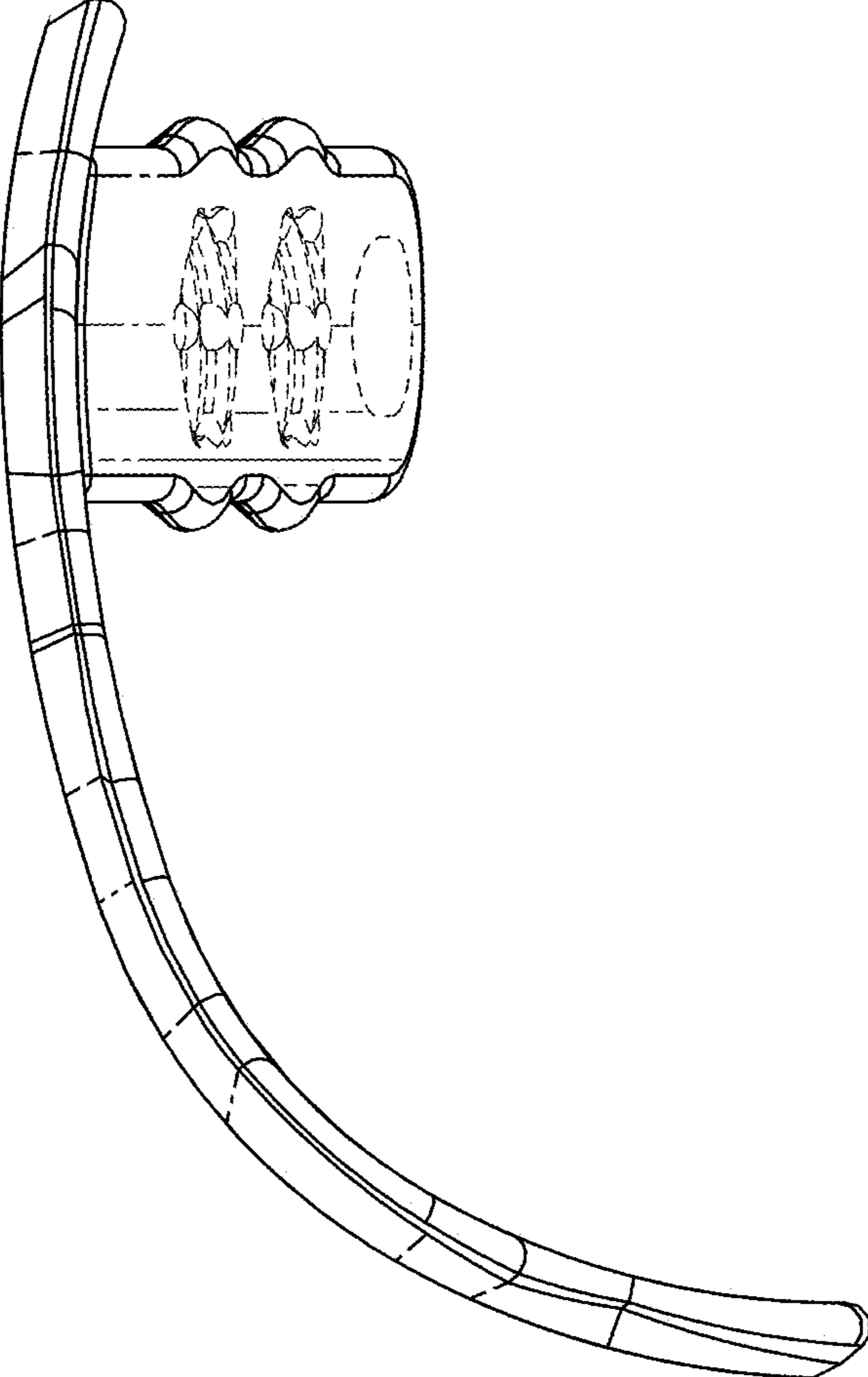


FIG. 54

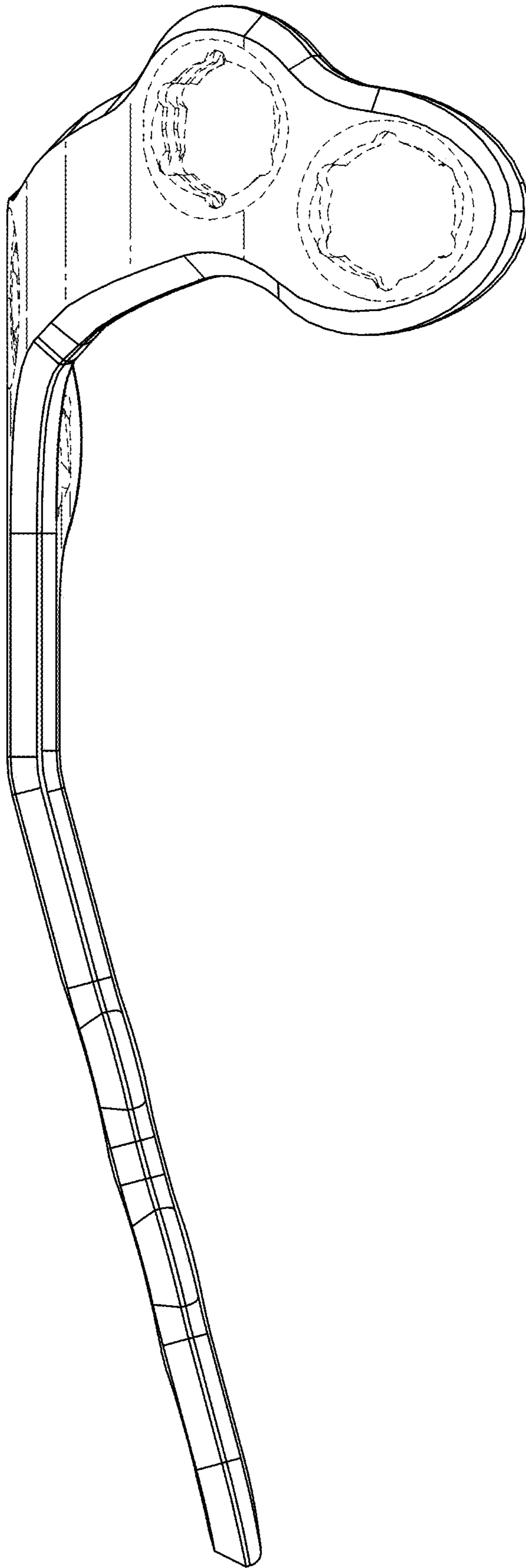


FIG. 55

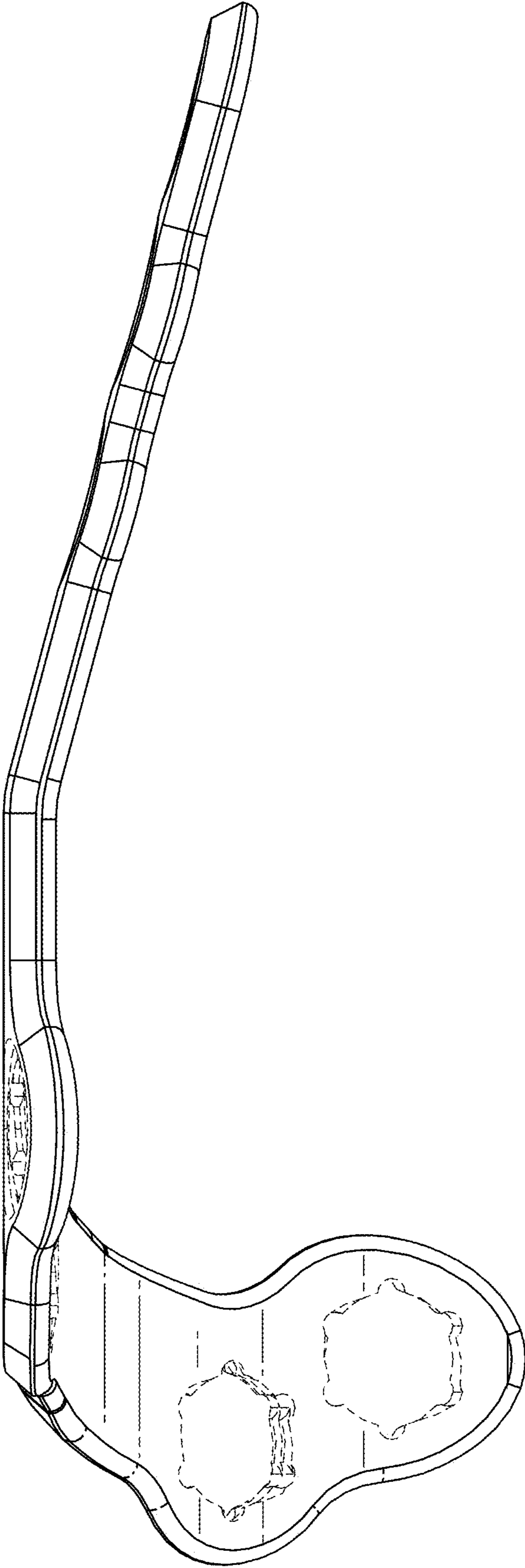


FIG. 56

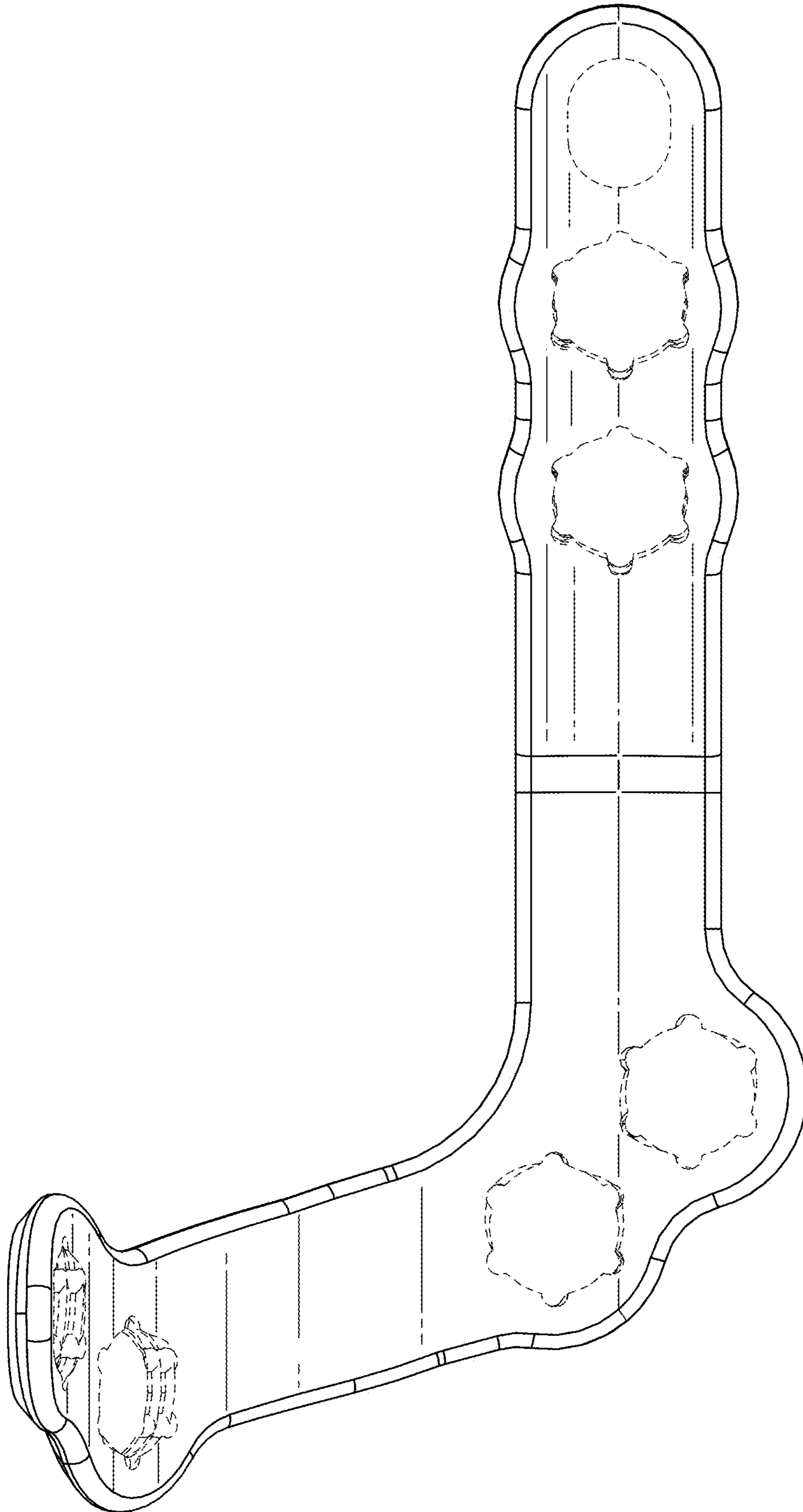


FIG. 57

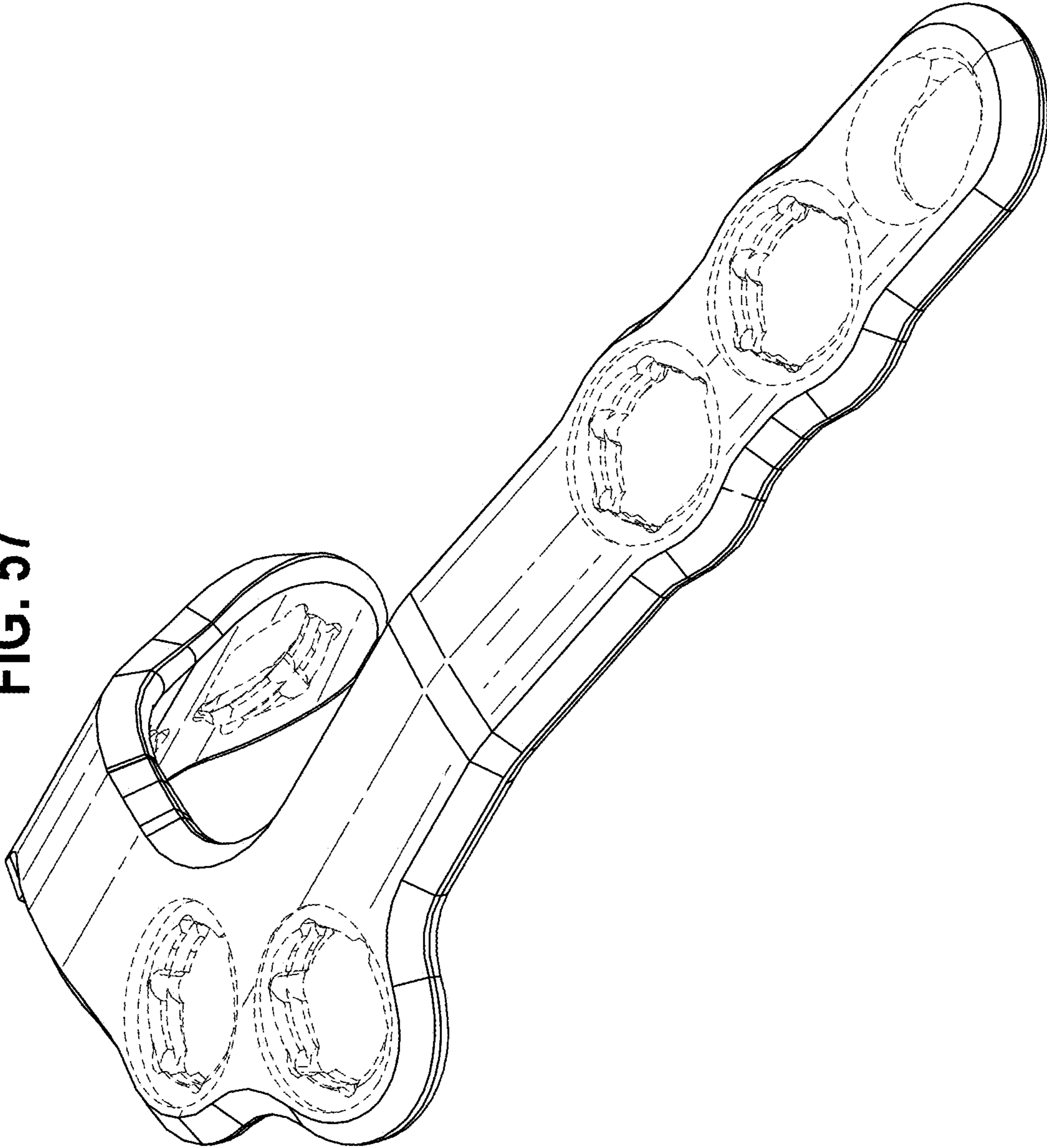


FIG. 58

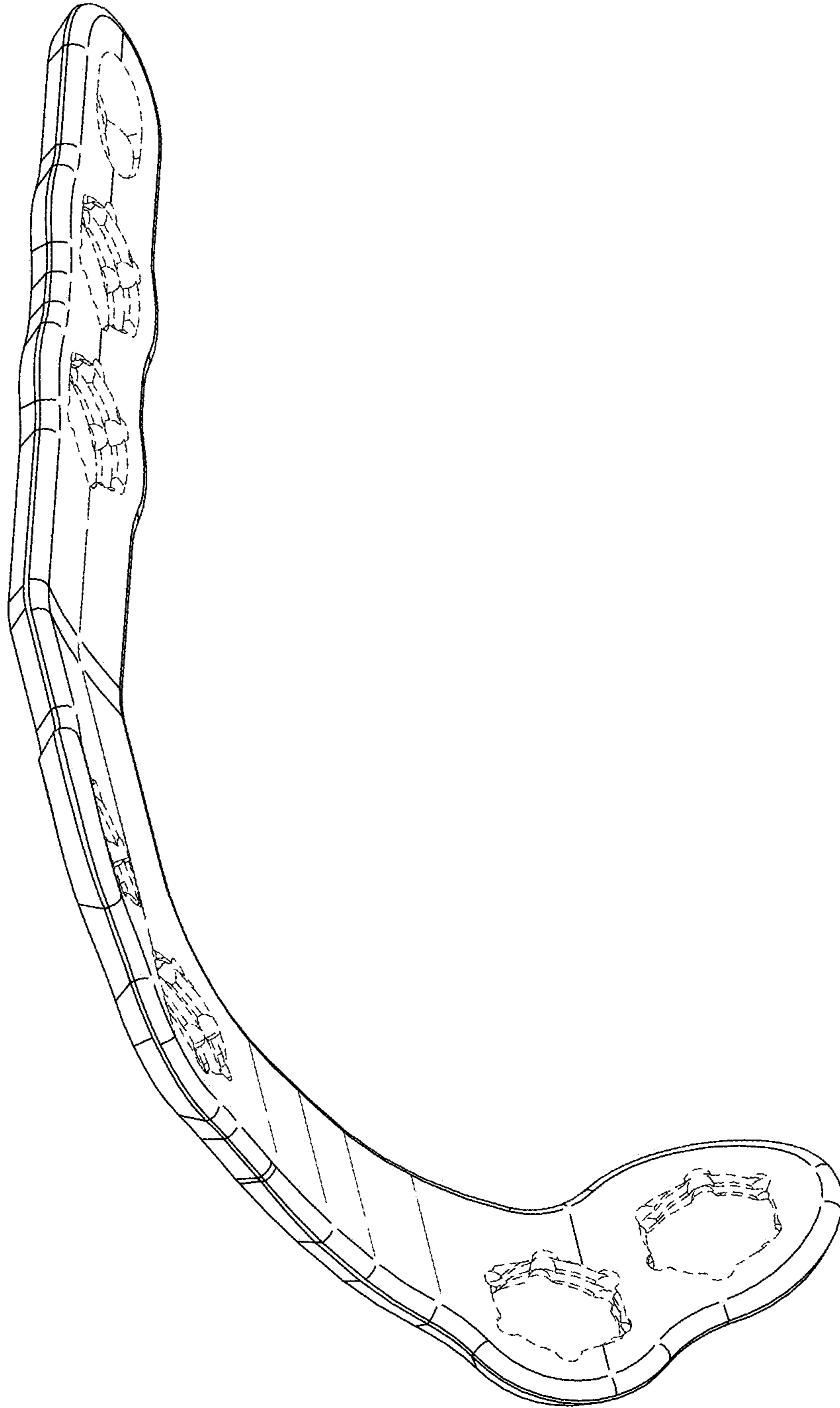


FIG. 59

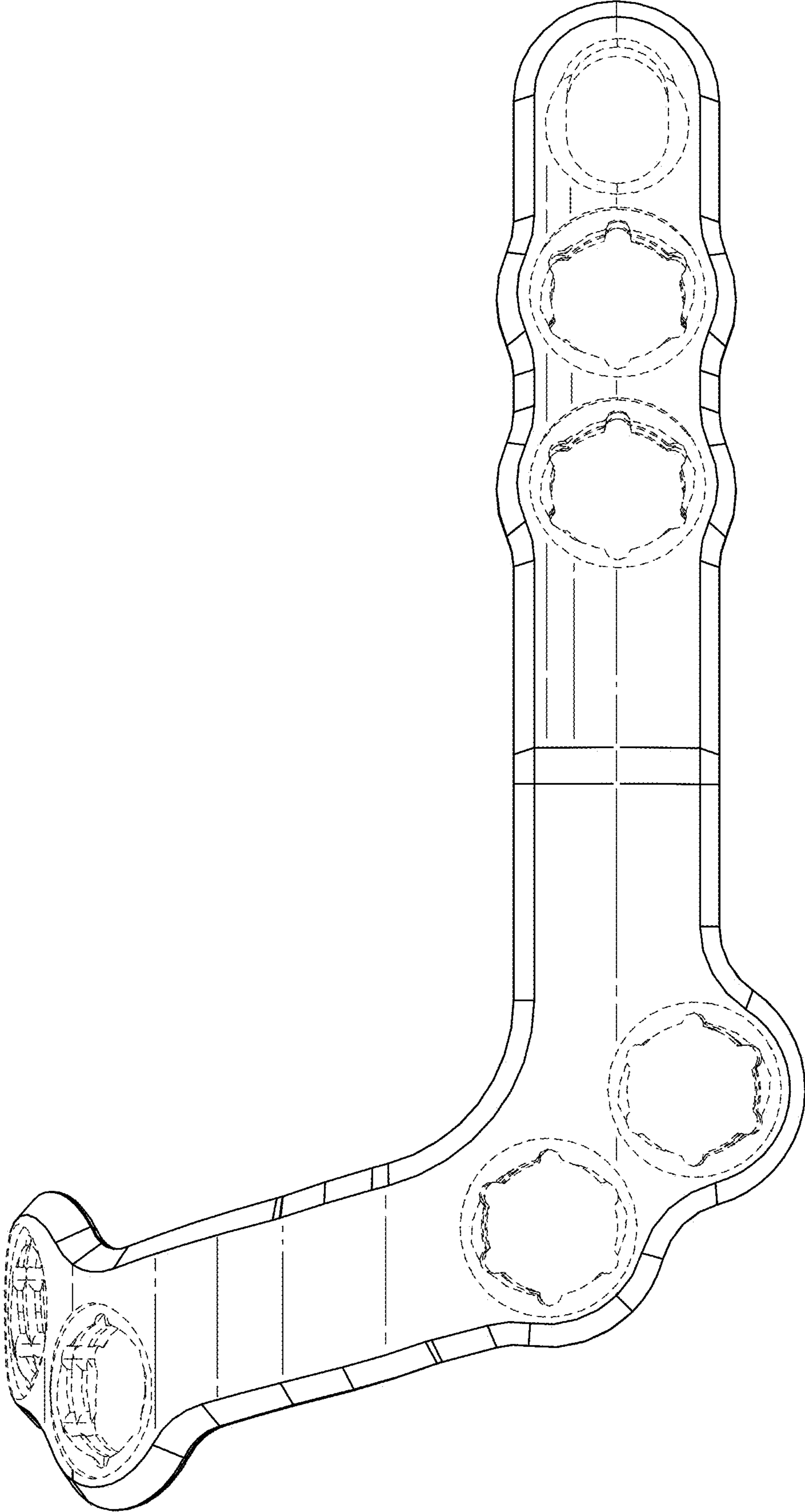


FIG. 60

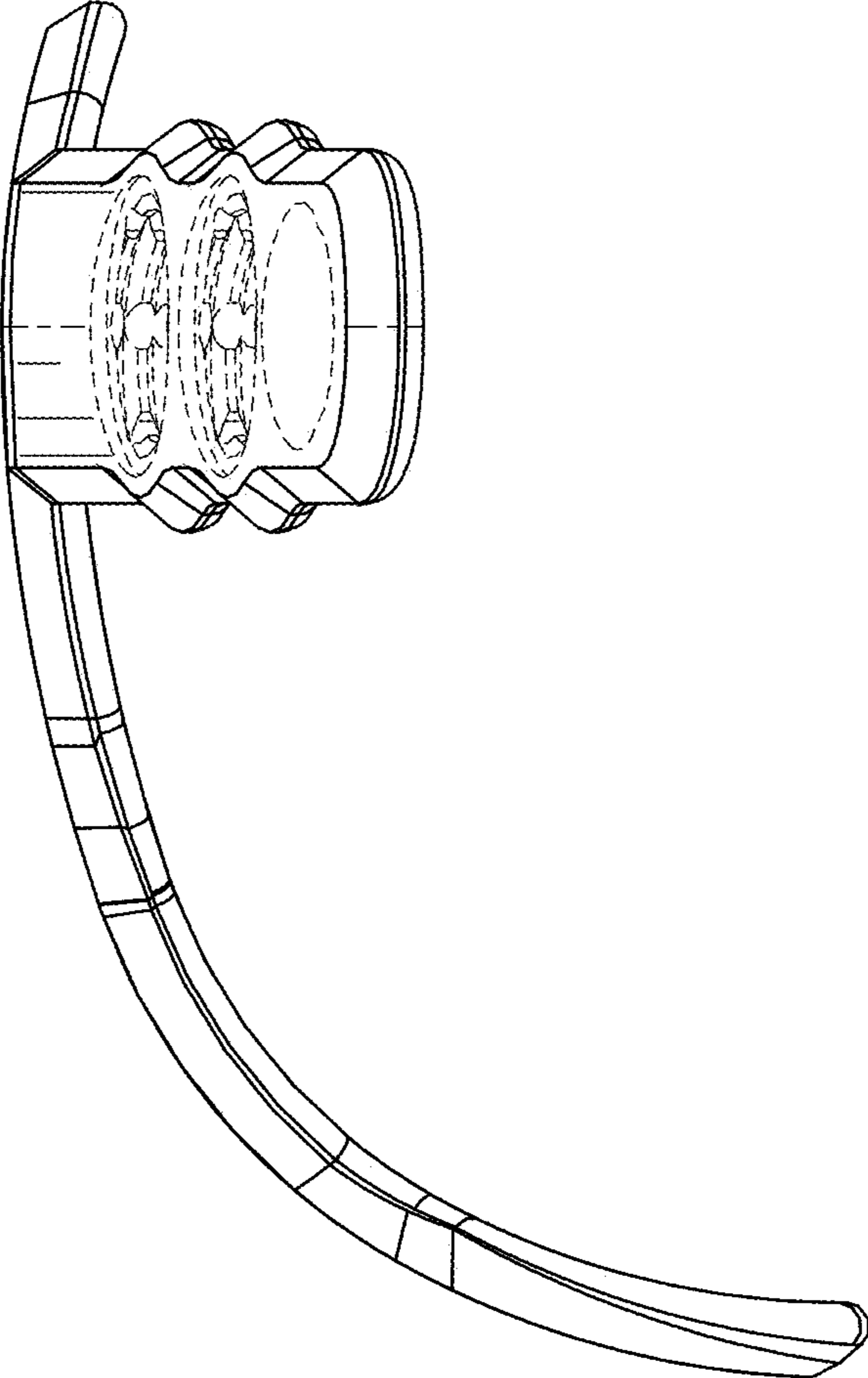


FIG. 61

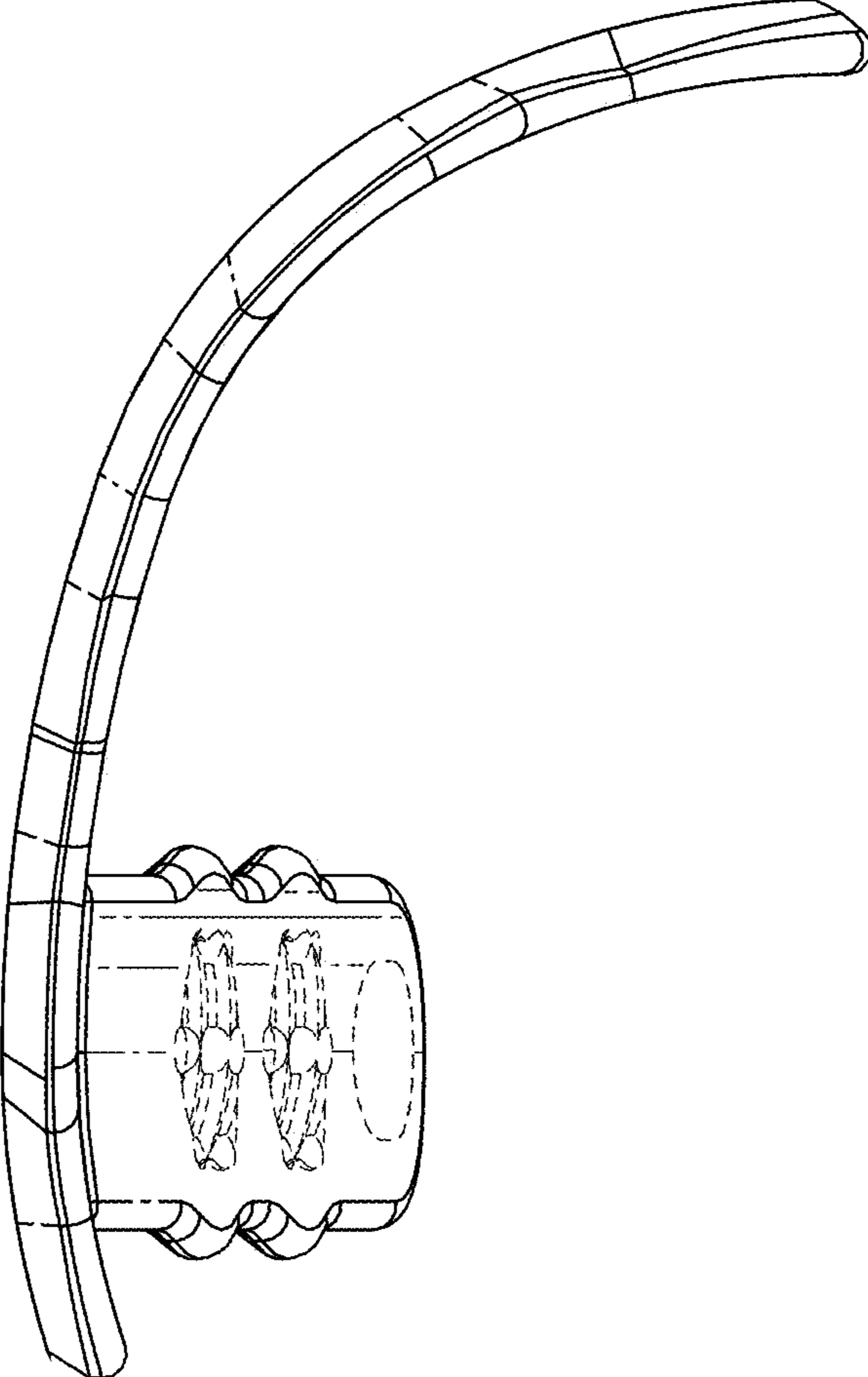


FIG. 62

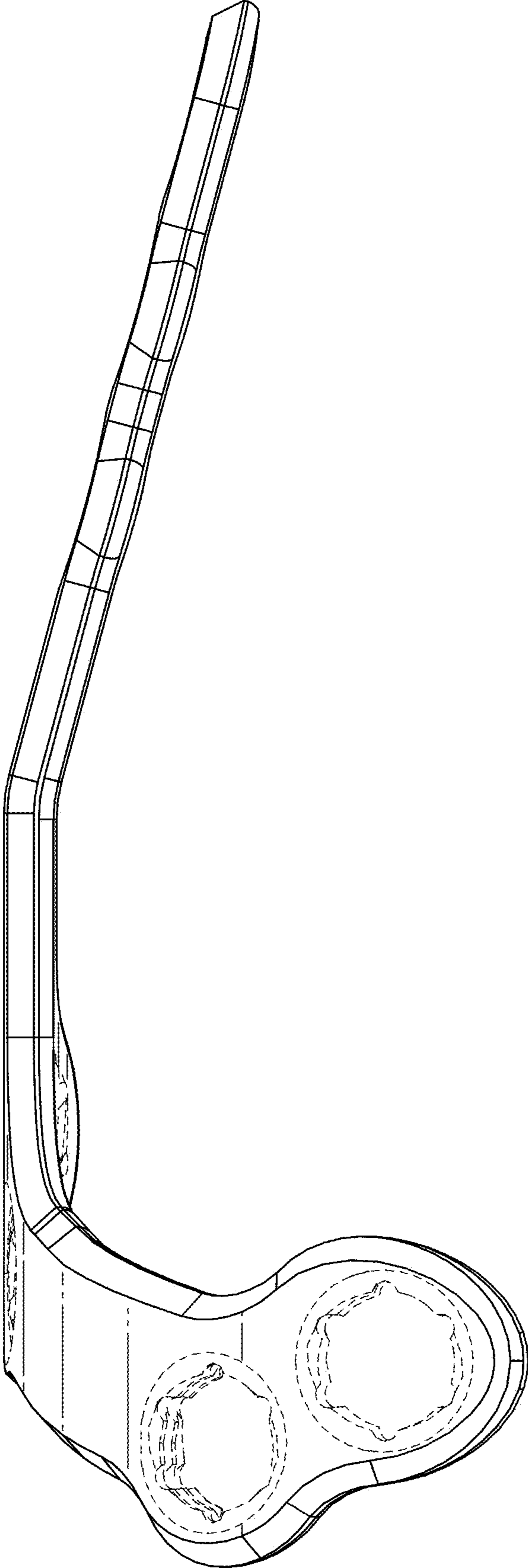


FIG. 63

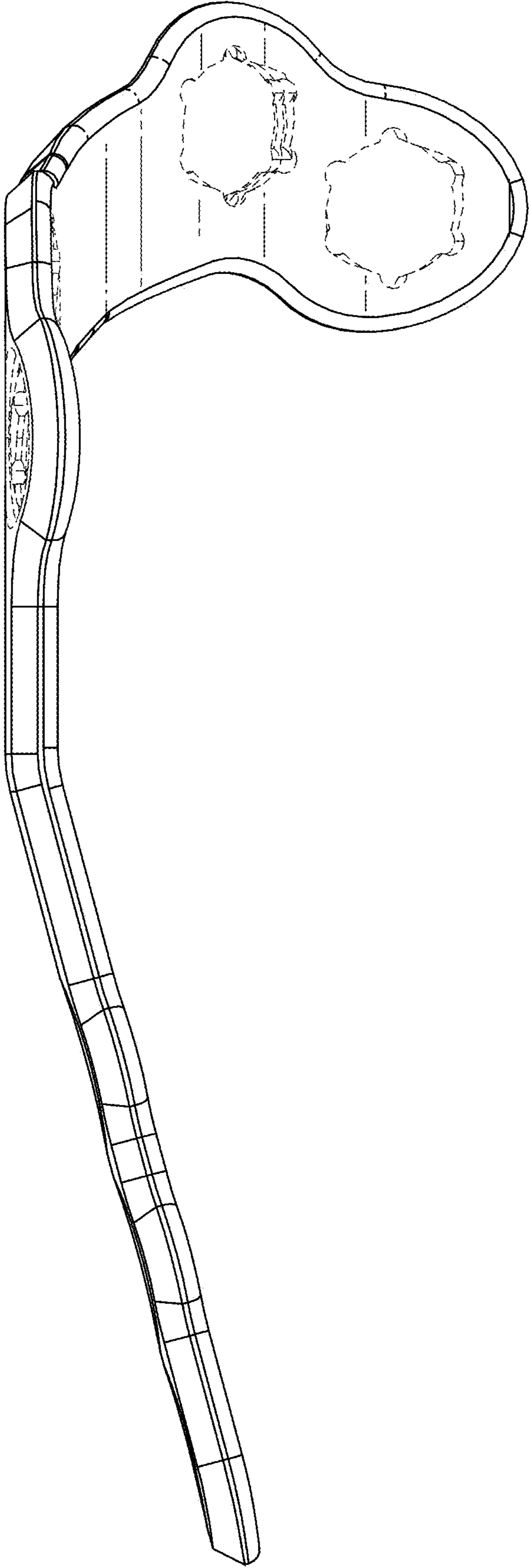


FIG. 64

