



US00D891614S

(12) **United States Design Patent** (10) **Patent No.:** **US D891,614 S**
Dimino et al. (45) **Date of Patent:** **** Jul. 28, 2020**

- (54) **TOURNIQUET**
- (71) Applicants: **Michael J. Dimino**, Freehold, NJ (US);
Michael C. Dimino, Freehold, NJ (US);
Alfonse Dimino, Freehold, NJ (US)
- (72) Inventors: **Michael J. Dimino**, Freehold, NJ (US);
Michael C. Dimino, Freehold, NJ (US);
Alfonse Dimino, Freehold, NJ (US)
- (**) Term: **15 Years**
- (21) Appl. No.: **29/607,446**
- (22) Filed: **Jun. 13, 2017**
- (51) **LOC (12) Cl.** **24-01**
- (52) **U.S. Cl.**
USPC **D24/143; D24/169**
- (58) **Field of Classification Search**
USPC D24/143, 165, 167, 169, 186, 189, 200
CPC A61B 17/1327; A61B 17/1322; A61B
17/1325; B63B 35/7933; B63B 2035/794
See application file for complete search history.

- D810,300 S * 2/2018 Parsons D24/169
- D824,522 S * 7/2018 Brown A61B 17/1322
D24/169
- D825,752 S * 8/2018 Dimino D24/143
- 2015/0216536 A1* 8/2015 Hopman A61B 17/1322
606/202
- 2015/0257767 A1* 9/2015 Henderson A61B 17/1325
606/203
- 2017/0035440 A1* 2/2017 Hopman A61F 5/0102
- 2018/0153557 A1* 6/2018 Dimino A61B 17/1325
- 2018/0187703 A1* 7/2018 Kuperus A61B 17/1322
- 2018/0228497 A1* 8/2018 Dimino A61F 15/006
- 2018/0317935 A1* 11/2018 Engwall A61B 17/1327
- 2018/0353189 A1* 12/2018 Goolsby A44B 11/18

* cited by examiner

Primary Examiner — Anhdao Doan
(74) *Attorney, Agent, or Firm* — Ostrolenk Faber LLP

(57) **CLAIM**

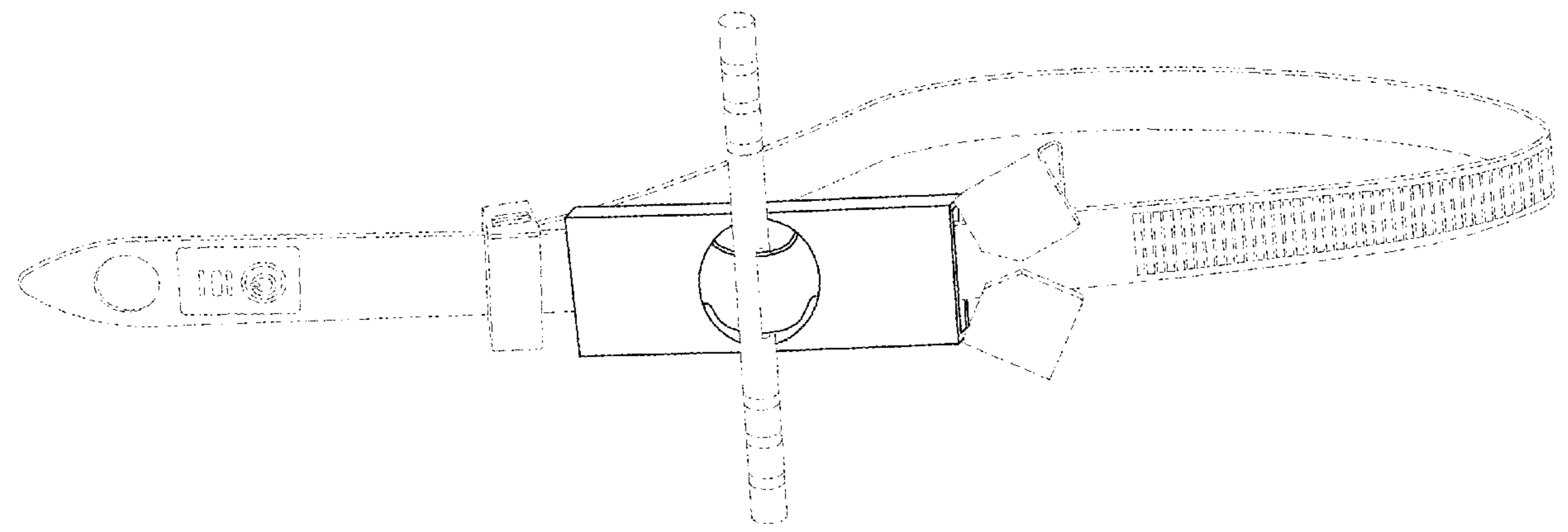
The ornamental design for a tourniquet, as shown and described.

DESCRIPTION

FIG. 1 is a top perspective view of a tourniquet;
FIG. 2 is a top view thereof; and,
FIG. 3 is a bottom view thereof.
The broken lines depict portions of the tourniquet that form no part of the claimed design; the broken lines form no part of the claimed design.

1 Claim, 3 Drawing Sheets

- (56) **References Cited**
U.S. PATENT DOCUMENTS
- D649,642 S * 11/2011 Johnson A61B 17/1322
D24/169
- 8,465,514 B1 * 6/2013 Rose A61B 17/1322
606/203
- D733,305 S * 6/2015 Miyashita D24/169
- D791,951 S * 7/2017 Henderson D24/169



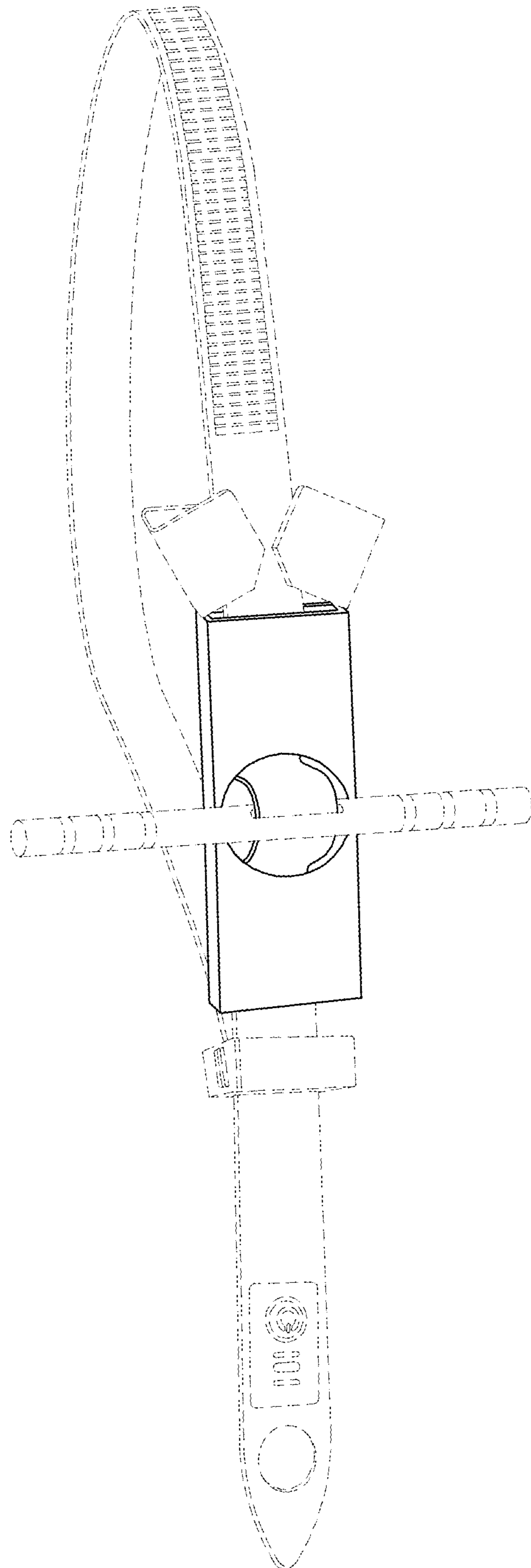


FIG. 1

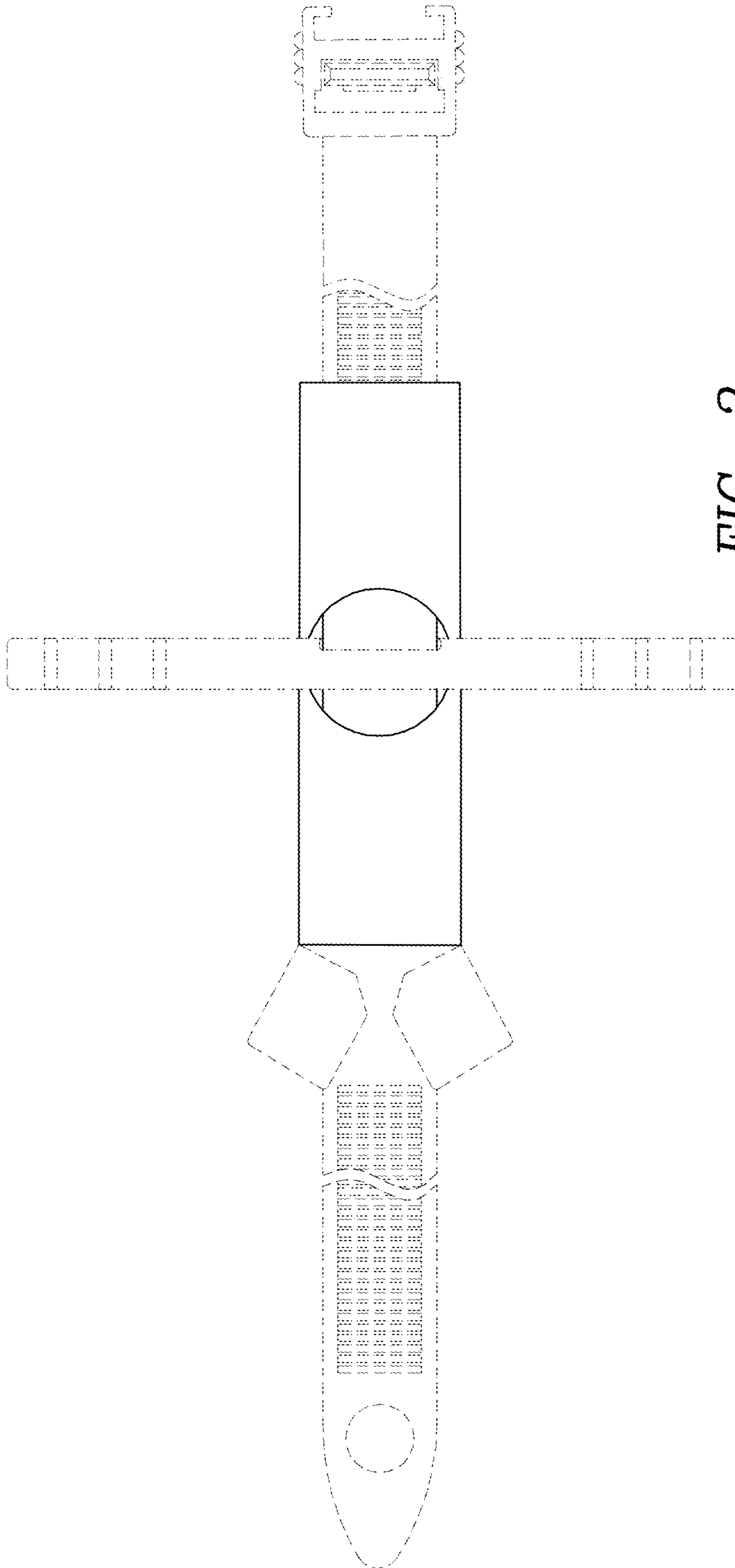


FIG. 2

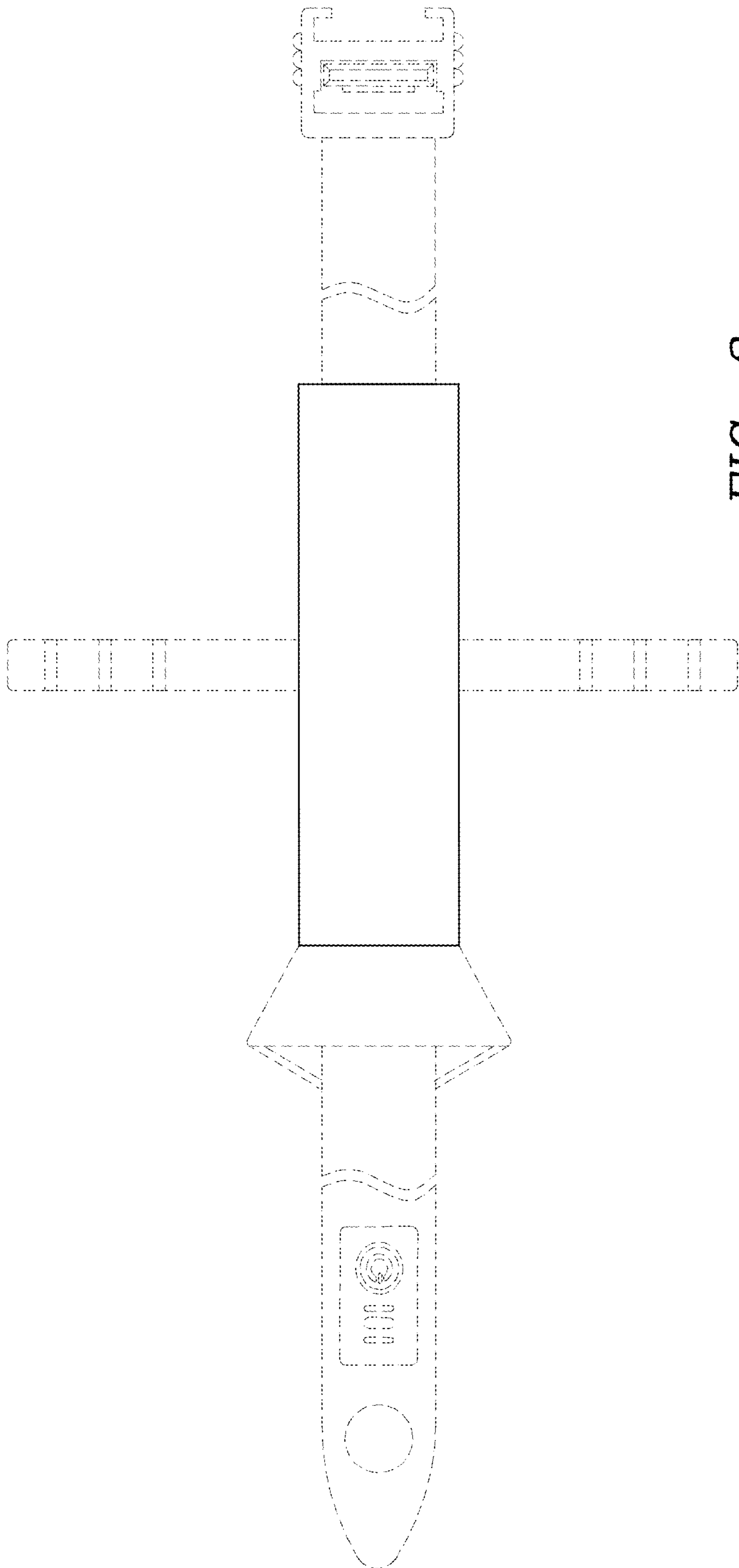


FIG. 3