



US00D891613S

(12) **United States Design Patent** (10) **Patent No.:** **US D891,613 S**
Choate (45) **Date of Patent:** **** Jul. 28, 2020**

(54) **ADAPTER COLLET**
(71) Applicant: **MYCO INDUSTRIES, INC.**, Milford, MI (US)
(72) Inventor: **John R. Choate**, Milford, MI (US)
(73) Assignee: **MYCO INDUSTRIES, INC.**, Milford, MI (US)
(**) Term: **15 Years**

D721,802 S * 1/2015 Ohashi D24/113
D722,091 S * 2/2015 Tokura D15/140
D732,163 S * 6/2015 Rynerson
D742,443 S * 11/2015 Whitmer D15/140
D747,486 S * 1/2016 Ishiwata D24/156
D761,417 S * 7/2016 Choate D24/119
D839,422 S * 1/2019 Groer D24/130
D846,737 S * 4/2019 Karasawa D24/130
D851,240 S * 6/2019 Baid D24/112
D865,826 S * 11/2019 Hatano D15/199
D869,647 S * 12/2019 Dorsey D24/112
D871,876 S * 1/2020 McClure D8/70
2014/0214062 A1 7/2014 Rynerson et al.

(21) Appl. No.: **29/694,154**
(22) Filed: **Jun. 7, 2019**
(51) **LOC (12) Cl.** **24-02**
(52) **U.S. Cl.**
USPC **D24/119; D15/140**
(58) **Field of Classification Search**
USPC D4/130-132, 138, 199; D8/9, 14, 80;
D15/122, 123, 124, 140, 152, 199;
D32/40, 45-47, 52; D24/110.6, 112-121,
D24/127, 130, 131, 152
CPC A61F 9/00; A61F 9/00772; A61F 9/00745
See application file for complete search history.

OTHER PUBLICATIONS

Algerbrush II Operating instructions, including Algerbrush II Chuck Photos, dated Apr. 3, 2012, 5 pages.

* cited by examiner

Primary Examiner — Michael C Stout
Assistant Examiner — Fritzgerald L Butac
(74) *Attorney, Agent, or Firm* — Brooks Kushman P.C.

(57) **CLAIM**

The ornamental design for a adapter collet, as shown and described.

(56) **References Cited**

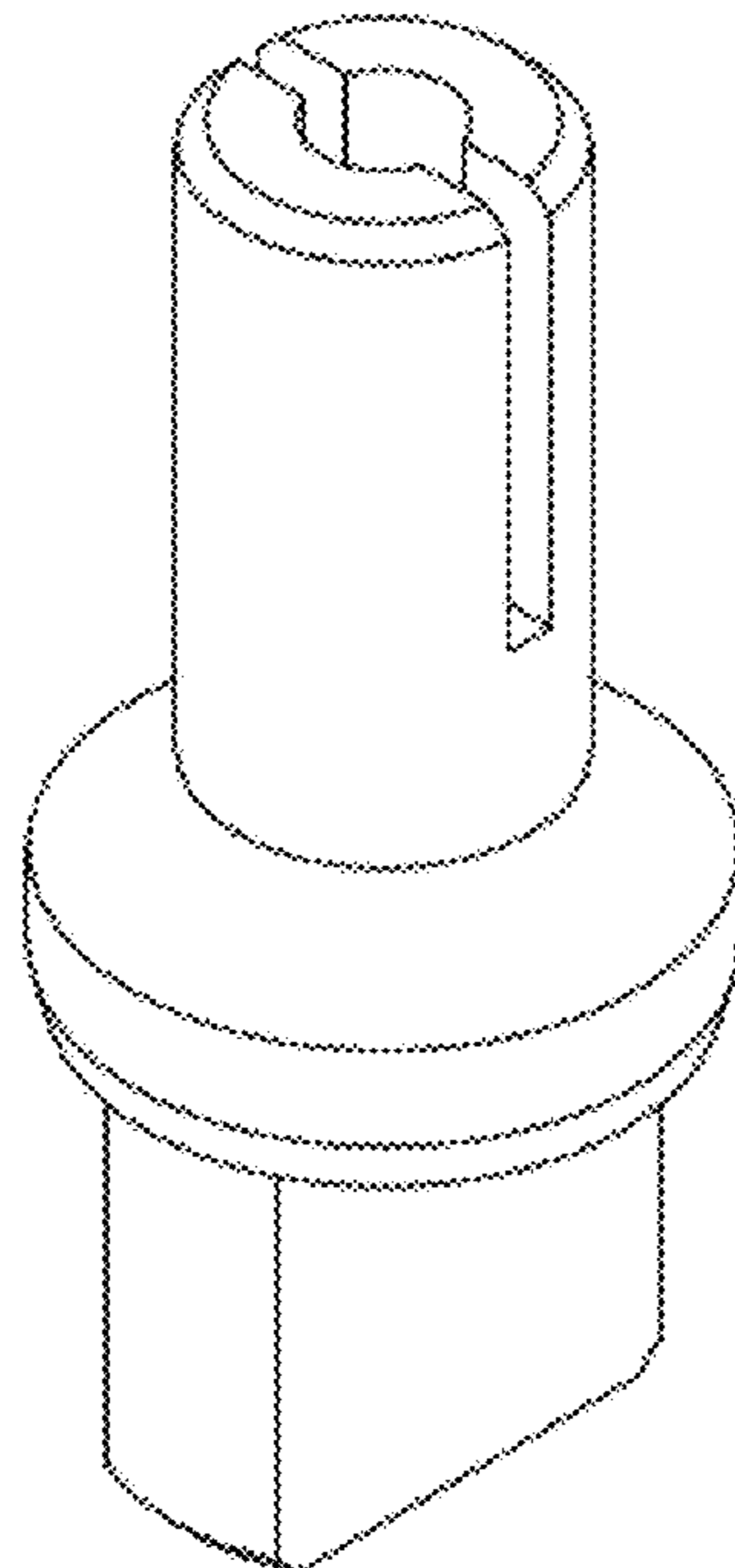
U.S. PATENT DOCUMENTS

D392,039 S * 3/1998 Bray D24/130
D532,109 S * 11/2006 Carroll D24/152
D650,075 S * 12/2011 Anglay D24/133
D655,001 S * 2/2012 Becker D24/130
D700,641 S * 3/2014 Kenji D15/140
D700,642 S * 3/2014 Kenji D15/140
D705,283 S * 5/2014 Kenji D15/140
D721,747 S * 1/2015 Tokura D15/140
D721,748 S * 1/2015 Tokura D15/140

DESCRIPTION

FIG. 1 is a perspective view of the adapter collet;
FIG. 2 is a top plan view of the adapter collet;
FIG. 3 is a front view of the adapter collet, the back view is a mirror image thereof;
FIG. 4 right side view of the adapter collet, the left side is a mirror image thereof; and,
FIG. 5 bottom plan view of the adapter collet.

1 Claim, 1 Drawing Sheet



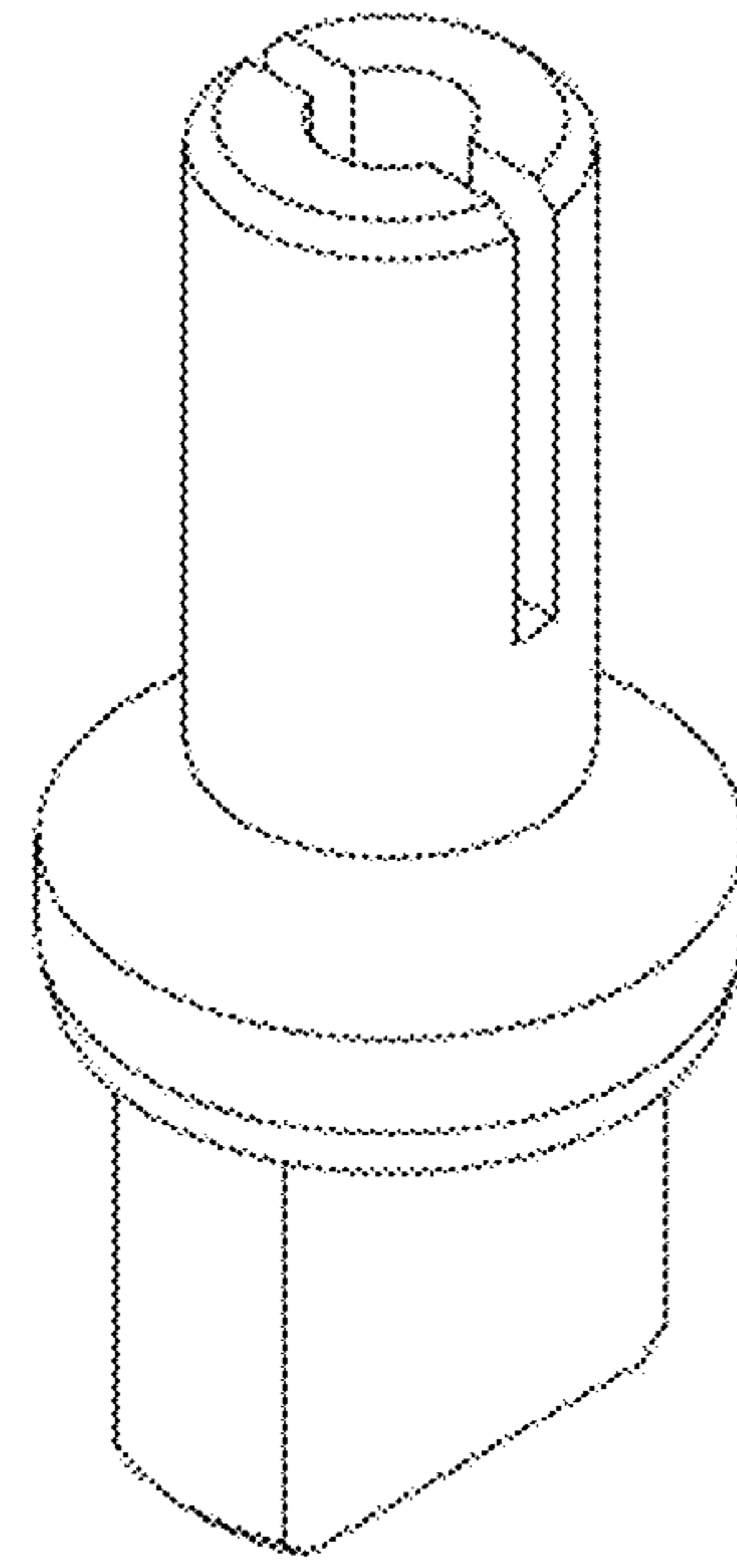


FIG. 1

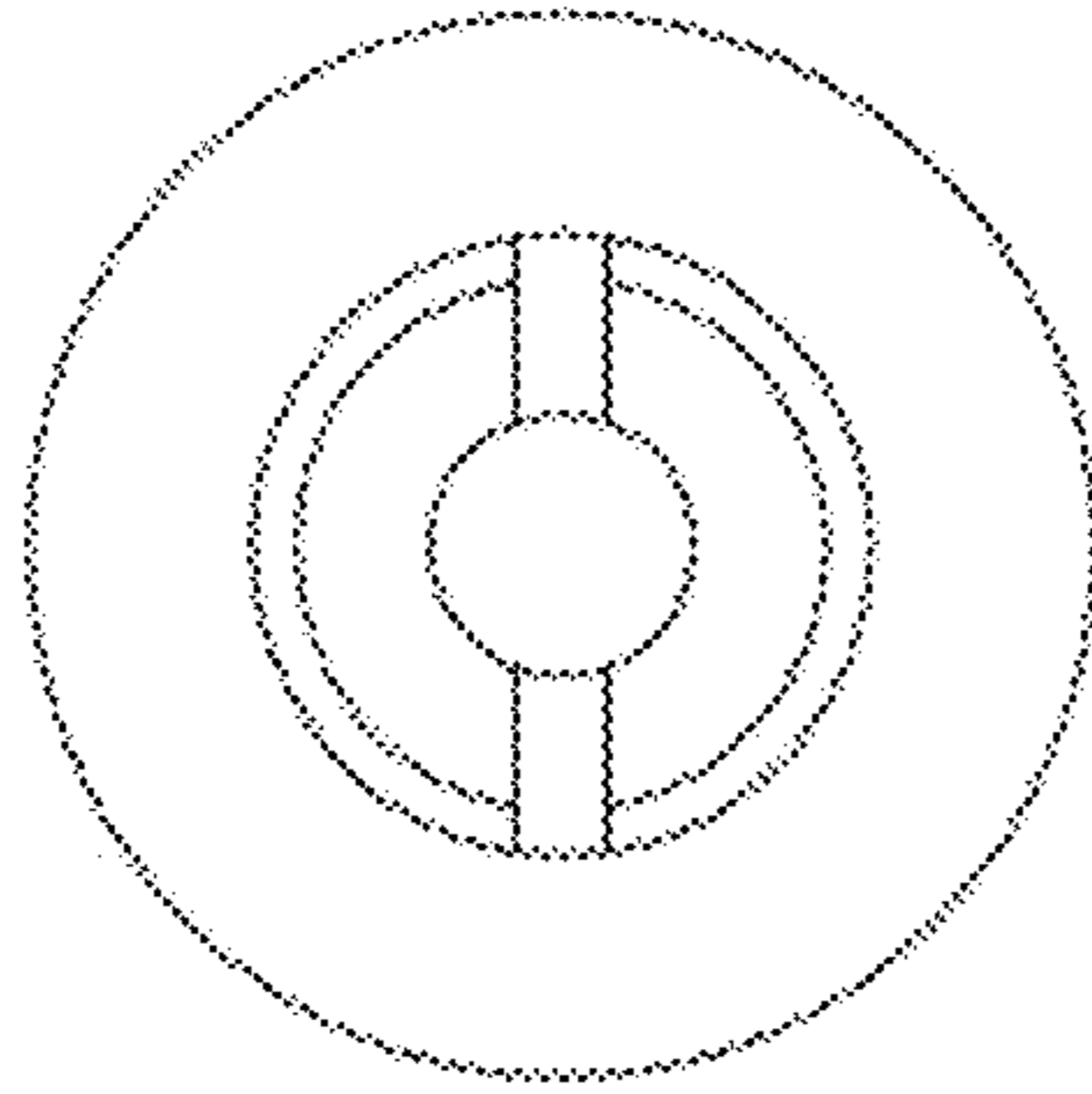


FIG. 2

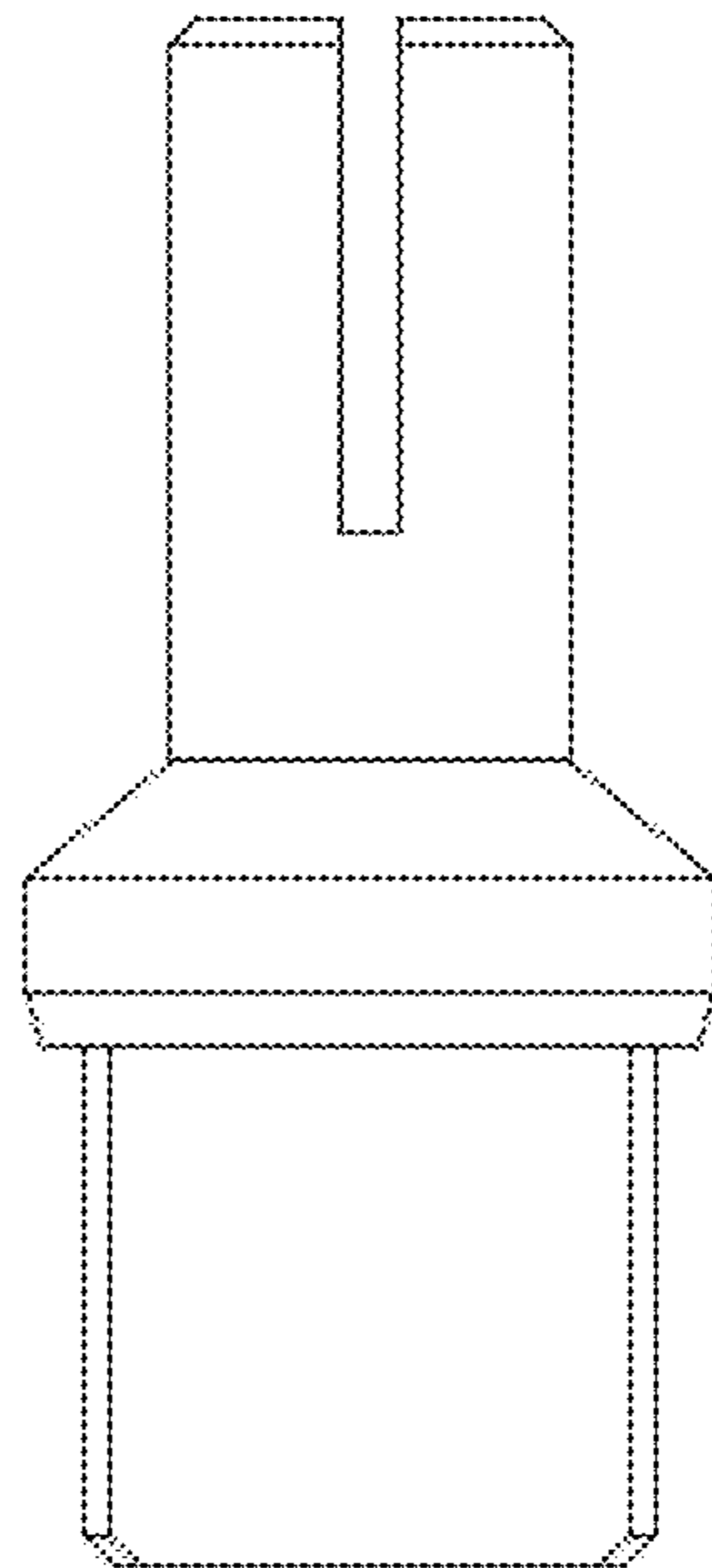


FIG. 3

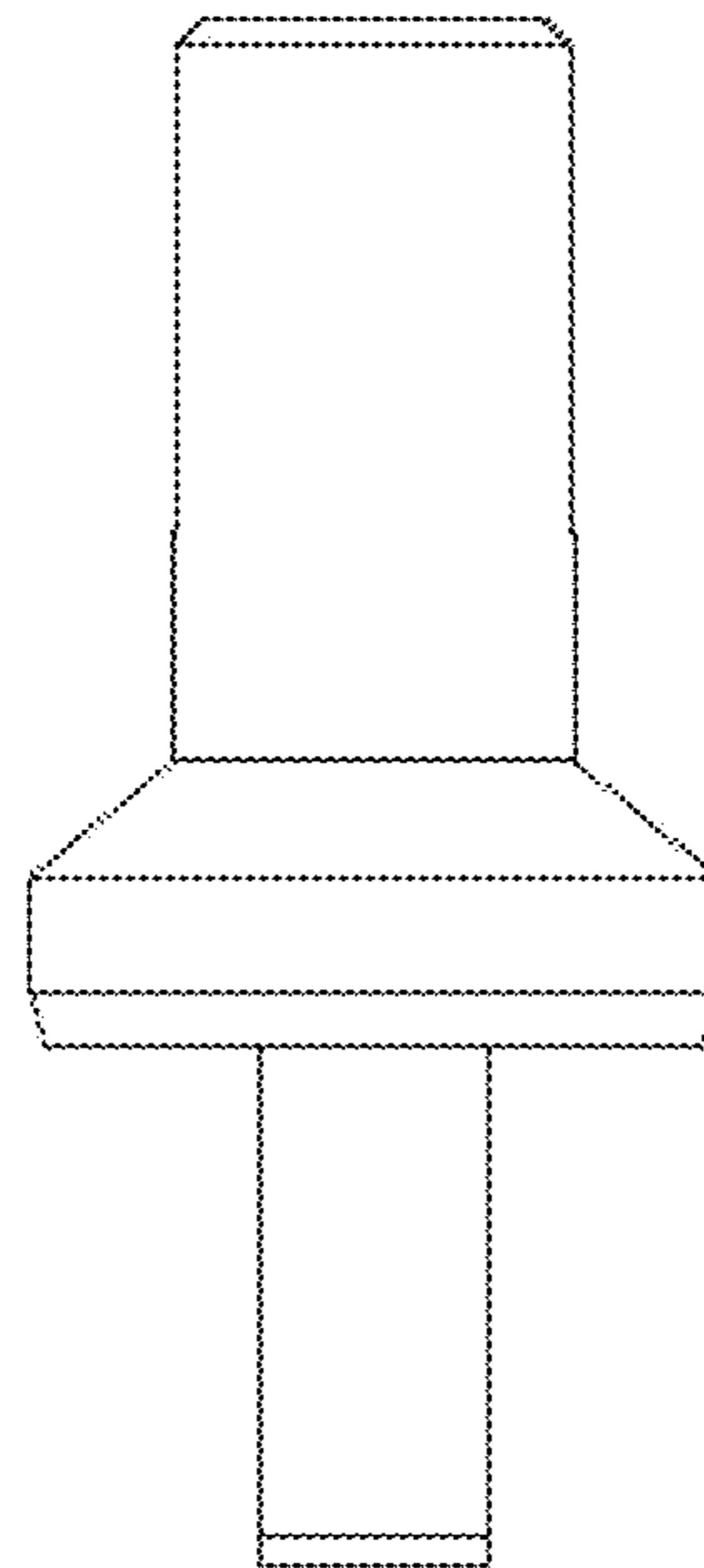


FIG. 4

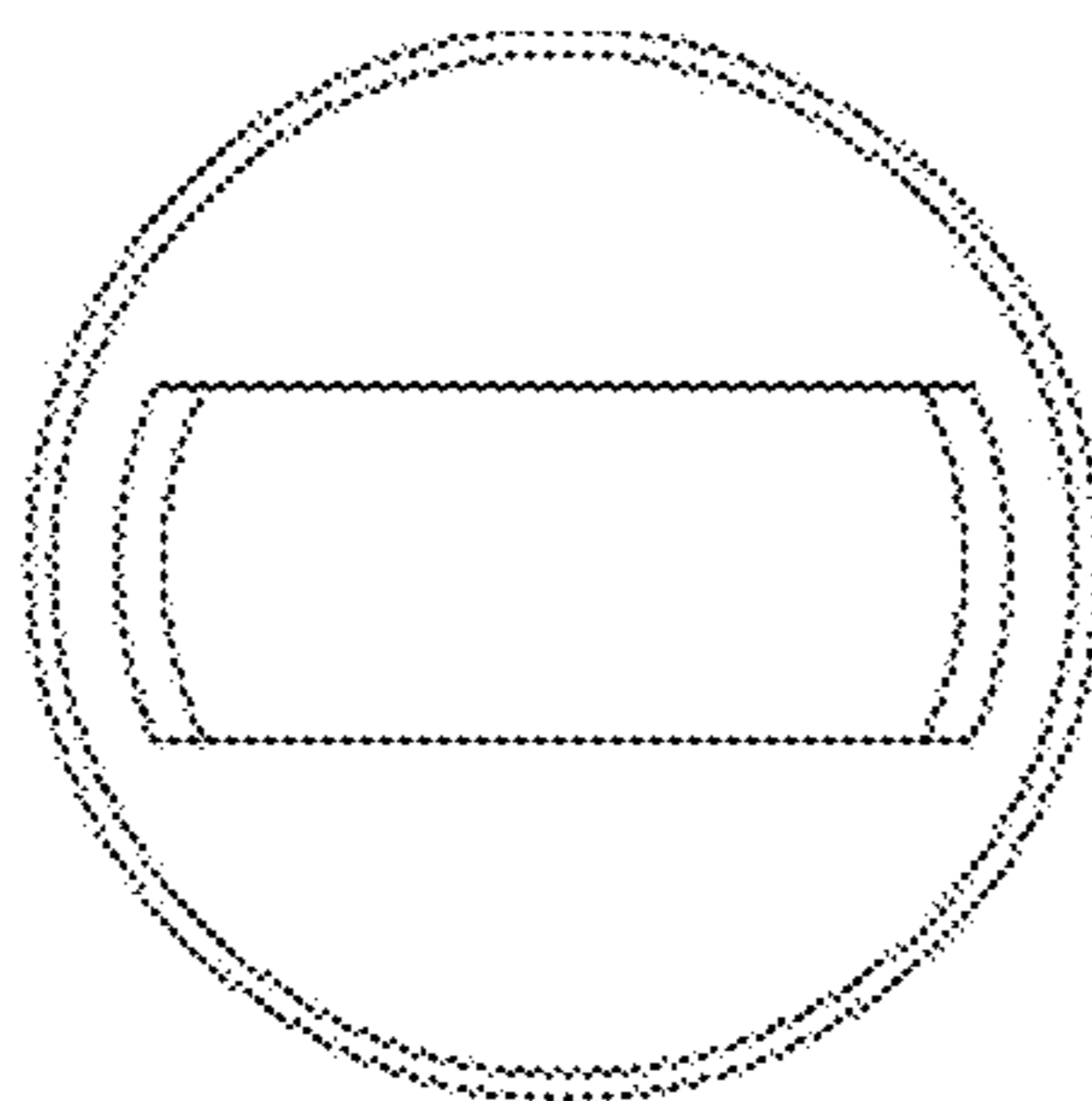


FIG. 5