



US00D891612S

(12) **United States Design Patent**  
**Stonecipher et al.**

(10) **Patent No.:** **US D891,612 S**  
(45) **Date of Patent:** **\*\* Jul. 28, 2020**

(54) **HANDHELD DRUG DELIVERY DEVICE**

(71) Applicant: **AMGEN INC.**, Thousand Oaks, CA  
(US)

(72) Inventors: **Brian Stonecipher**, Newbury Park, CA  
(US); **Ryan Jerome Ramos**, Chicago,  
IL (US); **Christian Plambech**, Soeborg  
(DK); **Claus Jepsen**, Horsens (DK);  
**Emil Wegger Jensen**, Aarhus C (DK)

(73) Assignee: **AMGEN INC.**, Thousand Oaks, CA  
(US)

(\*\*) Term: **15 Years**

(21) Appl. No.: **29/687,328**

(22) Filed: **Apr. 12, 2019**

**Related U.S. Application Data**

(62) Division of application No. 29/596,591, filed on Mar.  
9, 2017, now Pat. No. Des. 854,146.

(51) **LOC (12) Cl.** ..... **24-02**

(52) **U.S. Cl.**  
USPC ..... **D24/114**

(58) **Field of Classification Search**  
USPC ..... D24/111-114, 127, 130, 133, 186, 104,  
D24/108, 176, 220

(Continued)

(56) **References Cited**

**U.S. PATENT DOCUMENTS**

D471,274 S 3/2003 Diaz et al.

D479,324 S 9/2003 Greaney

(Continued)

*Primary Examiner* — Sheryl Lane

*Assistant Examiner* — Aula Soroush

(74) *Attorney, Agent, or Firm* — Marshall, Gerstein &  
Borun LLP

(57) **CLAIM**

The ornamental design for a handheld drug delivery device,  
as shown and described.

**DESCRIPTION**

FIG. 1 is a perspective view showing a first embodiment of  
a new design for a handheld drug delivery device;  
FIG. 2 is a front view of the handheld drug delivery device  
of FIG. 1;

FIG. 3 is a rear view of the handheld drug delivery device  
of FIG. 1;

FIG. 4 is a right-side view of the handheld drug delivery  
device of FIG. 1;

FIG. 5 is a left-side view of the handheld drug delivery  
device of FIG. 1;

FIG. 6 is a top view of the handheld drug delivery device of  
FIG. 1;

FIG. 7 is a bottom view of the handheld drug delivery device  
of FIG. 1;

FIG. 8 is a perspective view showing a second embodiment  
of a new design for a handheld drug delivery device;

FIG. 9 is a front view of the handheld drug delivery device  
of FIG. 8;

FIG. 10 is a rear view of the handheld drug delivery device  
of FIG. 8;

FIG. 11 is a right-side view of the handheld drug delivery  
device of FIG. 8;

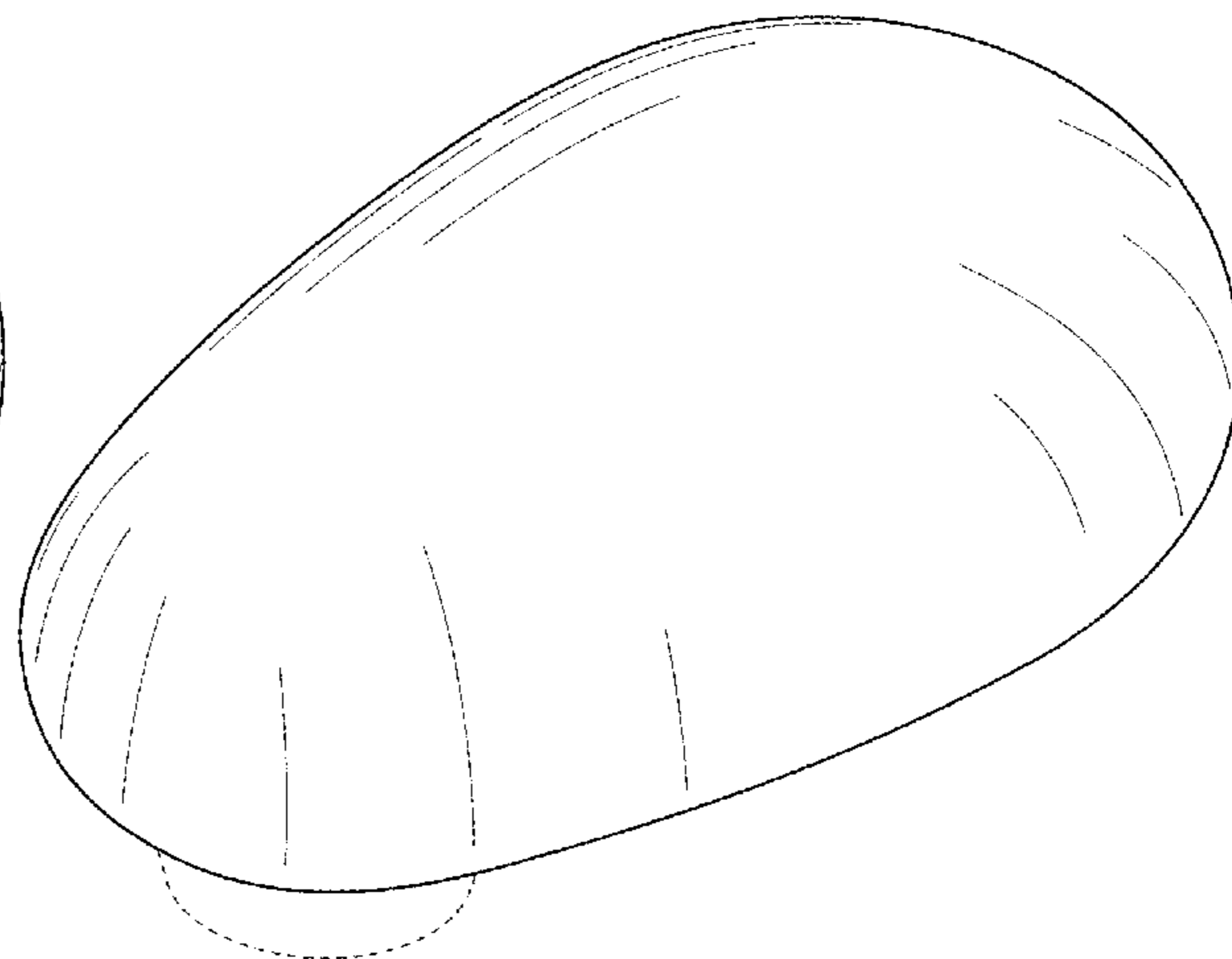
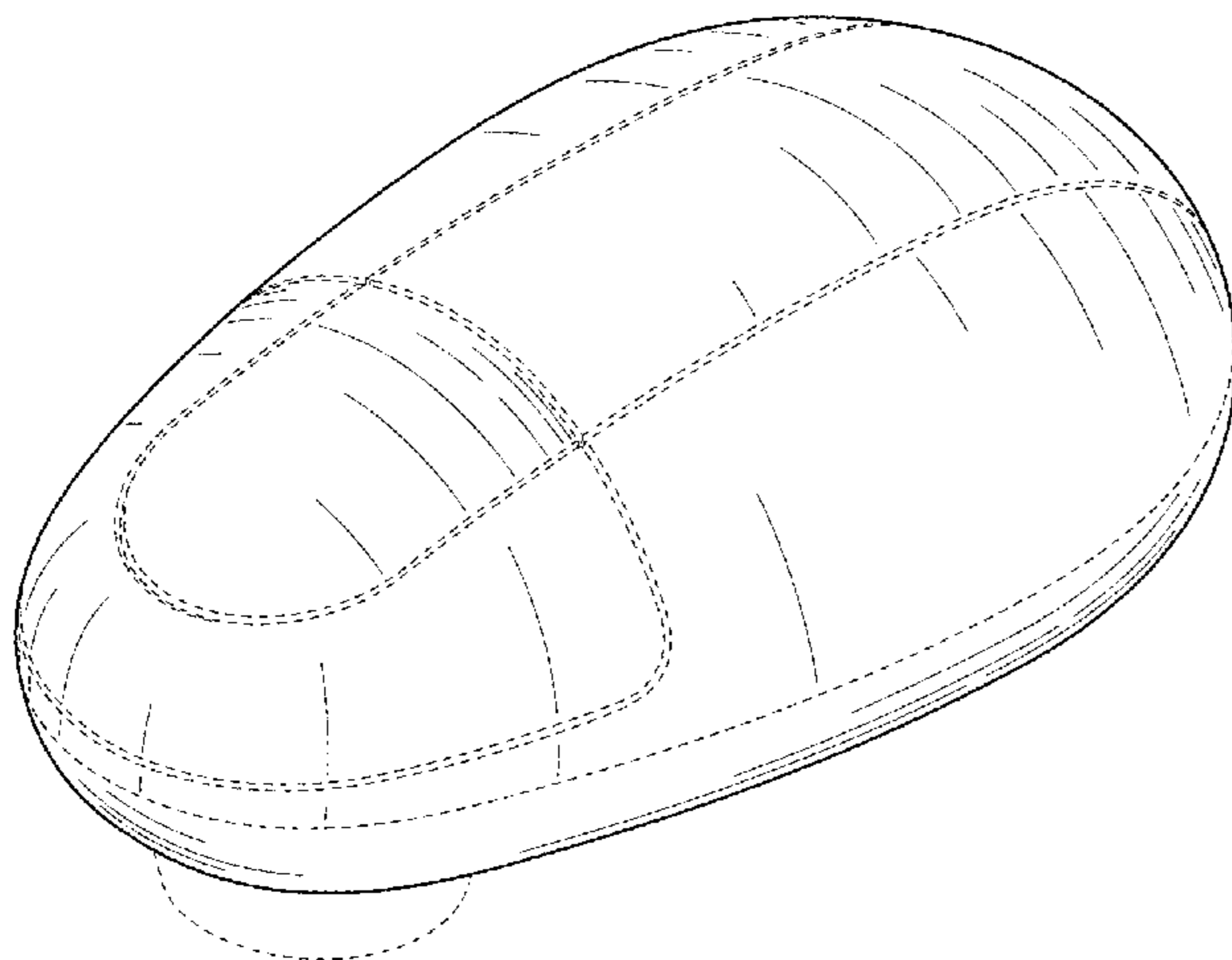
FIG. 12 is a left-side view of the handheld drug delivery  
device of FIG. 8;

FIG. 13 is a top view of the handheld drug delivery device  
of FIG. 8; and,

FIG. 14 is a bottom view of the handheld drug delivery  
device of FIG. 8.

The dashed lines are included for the purpose of illustrating  
environment and form no part of the claimed design.

**1 Claim, 8 Drawing Sheets**



(58) **Field of Classification Search**  
 CPC ..... A61M 5/1428; A61M 5/162; A61M  
 5/14276; A61M 2005/14252; A61M  
 2005/1581; A61M 2005/14513; A61M  
 2005/206; A61M 39/0208  
 See application file for complete search history.

(56) **References Cited**  
 U.S. PATENT DOCUMENTS

D510,139 S	9/2005	Gilad et al.	
D512,150 S	11/2005	Iddan et al.	
D564,087 S	3/2008	Yodfat et al.	
D607,099 S	12/2009	Loerwald	
D630,313 S	1/2011	Pidgeon et al.	
7,976,493 B2 *	7/2011	Carter .....	A61M 5/14244 604/67
D647,613 S	10/2011	Paget et al.	
D677,382 S	3/2013	Foley et al.	
D678,514 S	3/2013	Foley et al.	
D694,397 S	11/2013	White et al.	
D731,051 S	6/2015	Olson et al.	
D742,506 S	11/2015	Burke	
D748,783 S	2/2016	Zhang et al.	
D749,742 S	2/2016	Ishibashi et al.	
D760,374 S	6/2016	Nagar et al.	

D770,037 S	10/2016	Schleicher et al.	
D780,928 S	3/2017	Hayakawa	
D781,415 S	3/2017	Brannon et al.	
D794,805 S	8/2017	Kranz et al.	
D794,806 S	8/2017	Kranz et al.	
D794,807 S	8/2017	Kranz et al.	
D797,074 S	9/2017	Martin et al.	
D797,924 S	9/2017	Bureau	
D808,010 S	1/2018	Denzer et al.	
D813,400 S	3/2018	Bechtel et al.	
D815,734 S	4/2018	Burke	
D818,575 S	5/2018	Corbin et al.	
D824,023 S	7/2018	Grimoldby	
D826,396 S *	8/2018	Stonecipher .....	D24/112
D829,889 S *	10/2018	Hwang .....	D24/112
D830,537 S *	10/2018	Hwang .....	D24/112
D840,024 S *	2/2019	Stonecipher .....	D24/112
D854,146 S *	7/2019	Stonecipher .....	D24/114
D857,191 S *	8/2019	Hwang .....	D24/112
10,434,285 B2 *	10/2019	Schoonmaker .....	A61M 5/158
2009/0254041 A1 *	10/2009	Krag .....	A61M 5/14224 604/180
2011/0092915 A1	4/2011	Olson et al.	
2013/0204229 A1	8/2013	Olson et al.	
2015/0258284 A1	9/2015	Fenster et al.	
2017/0043105 A1	2/2017	Elmen	

\* cited by examiner

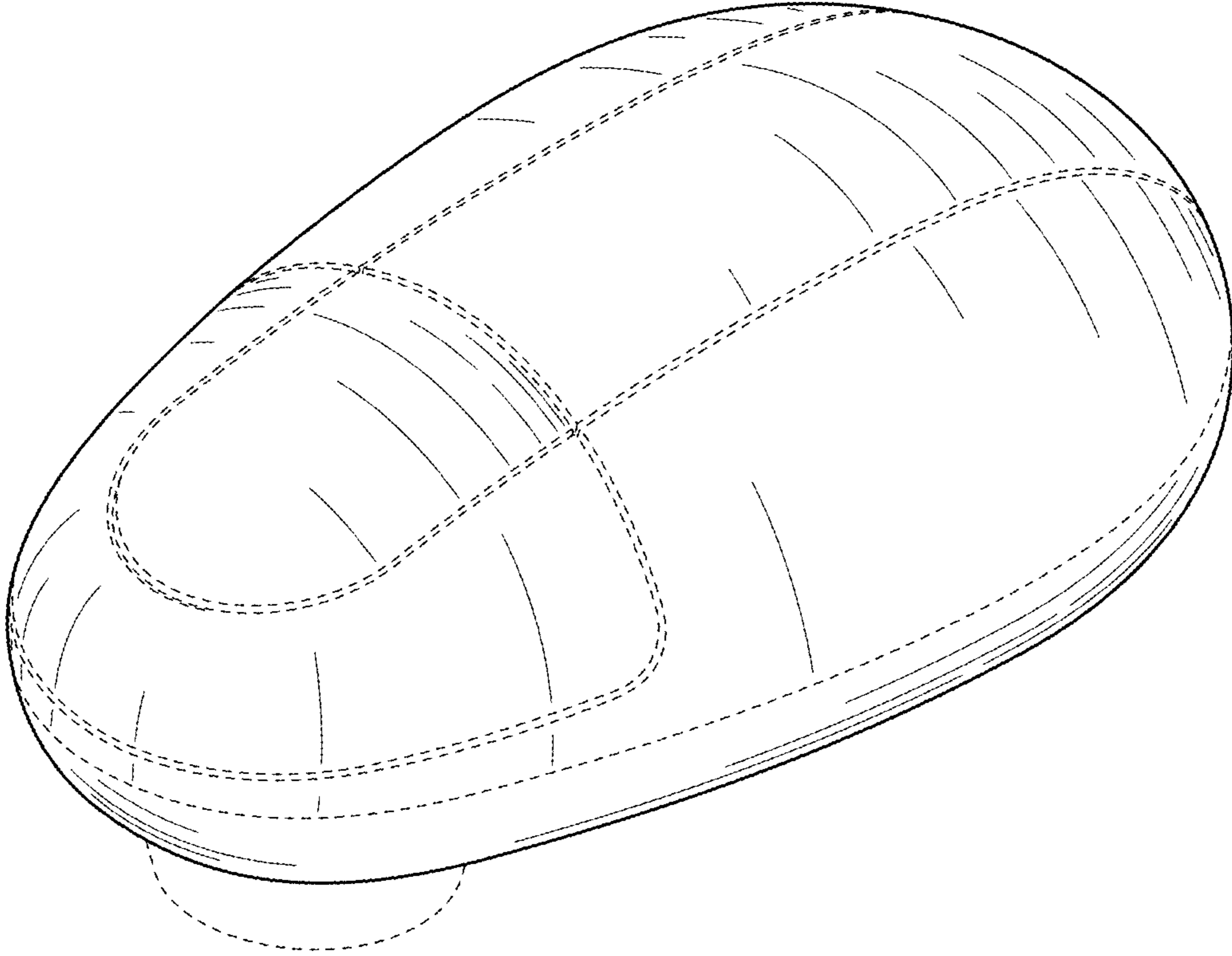


FIG. 1

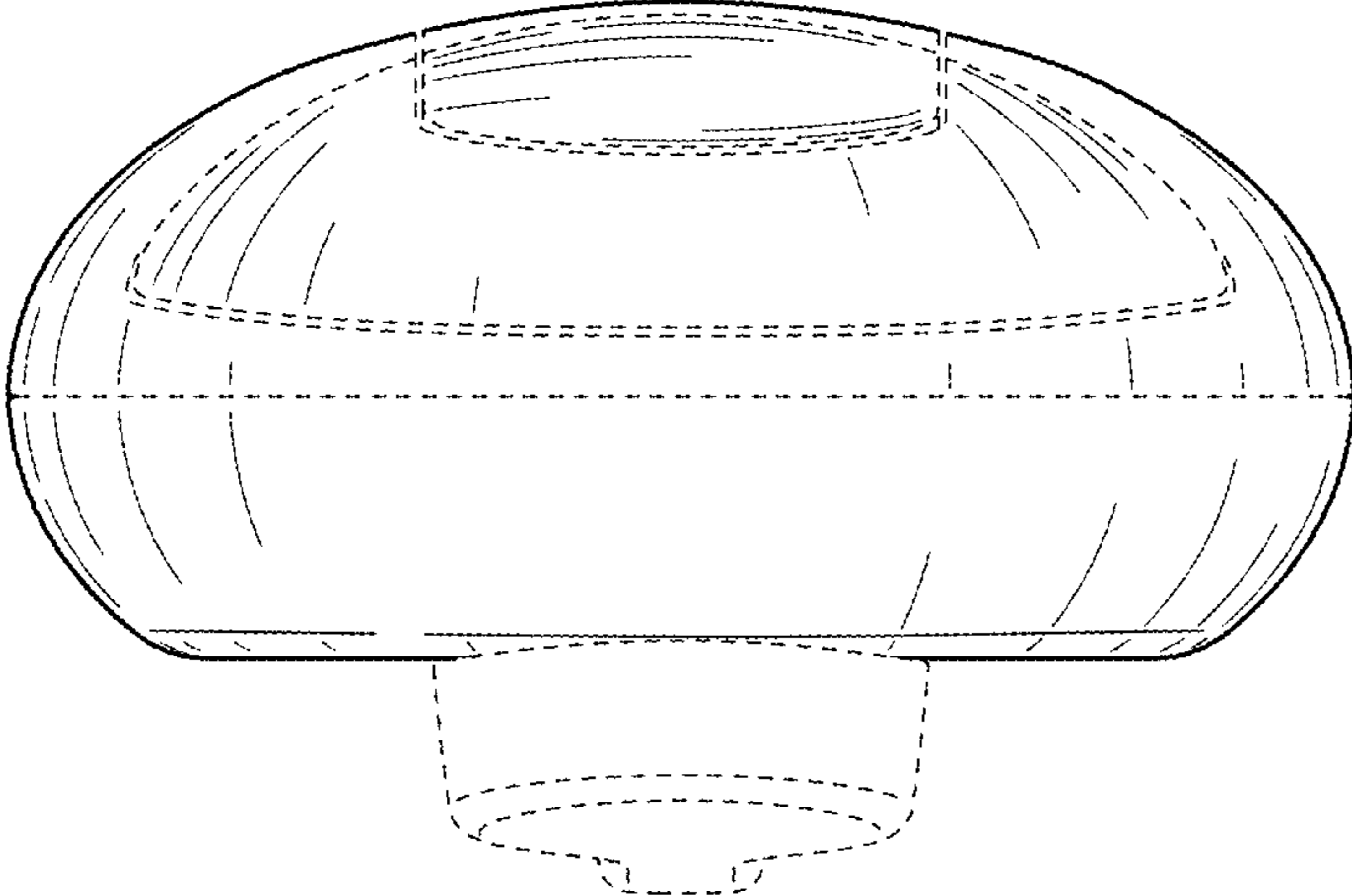


FIG. 2

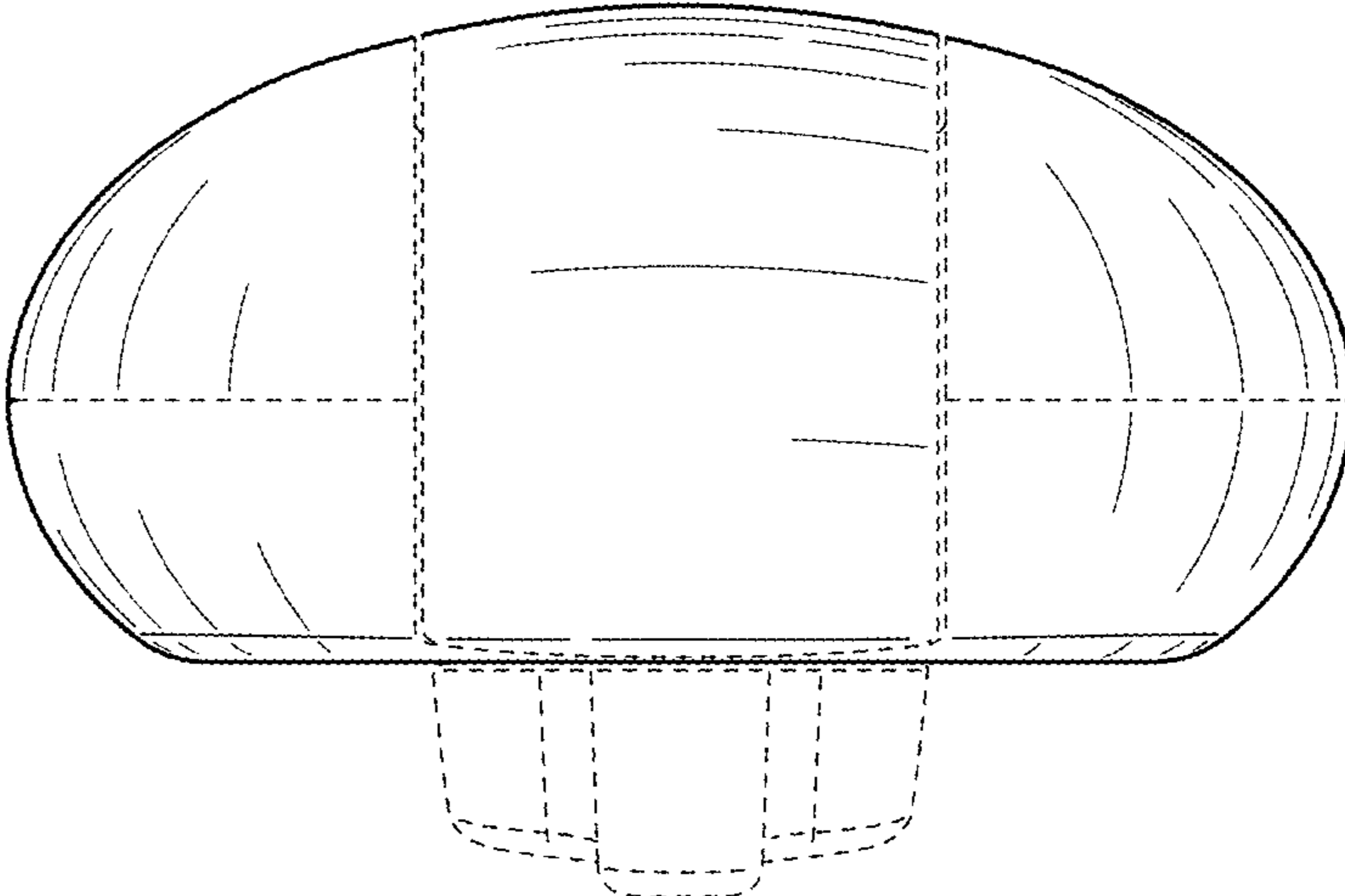


FIG. 3

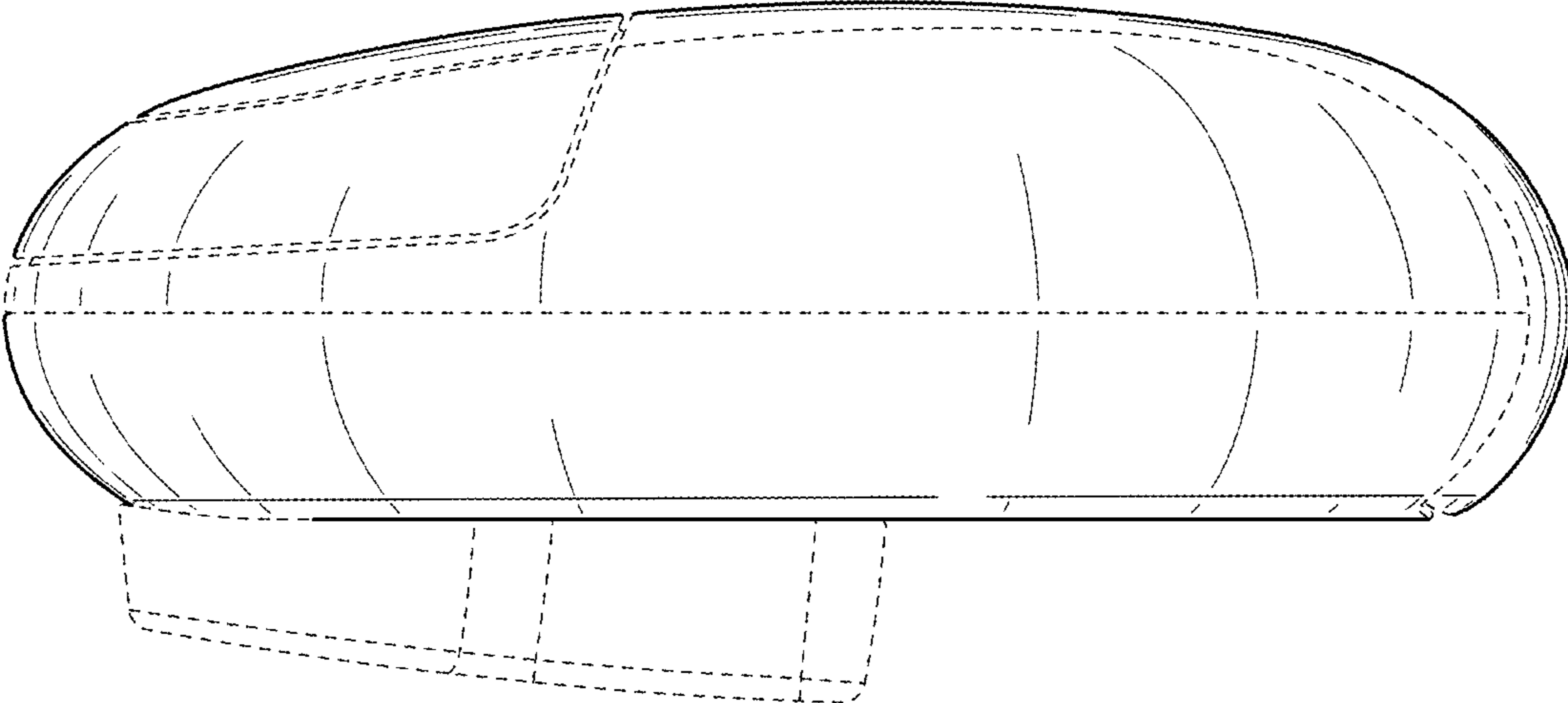


FIG. 4

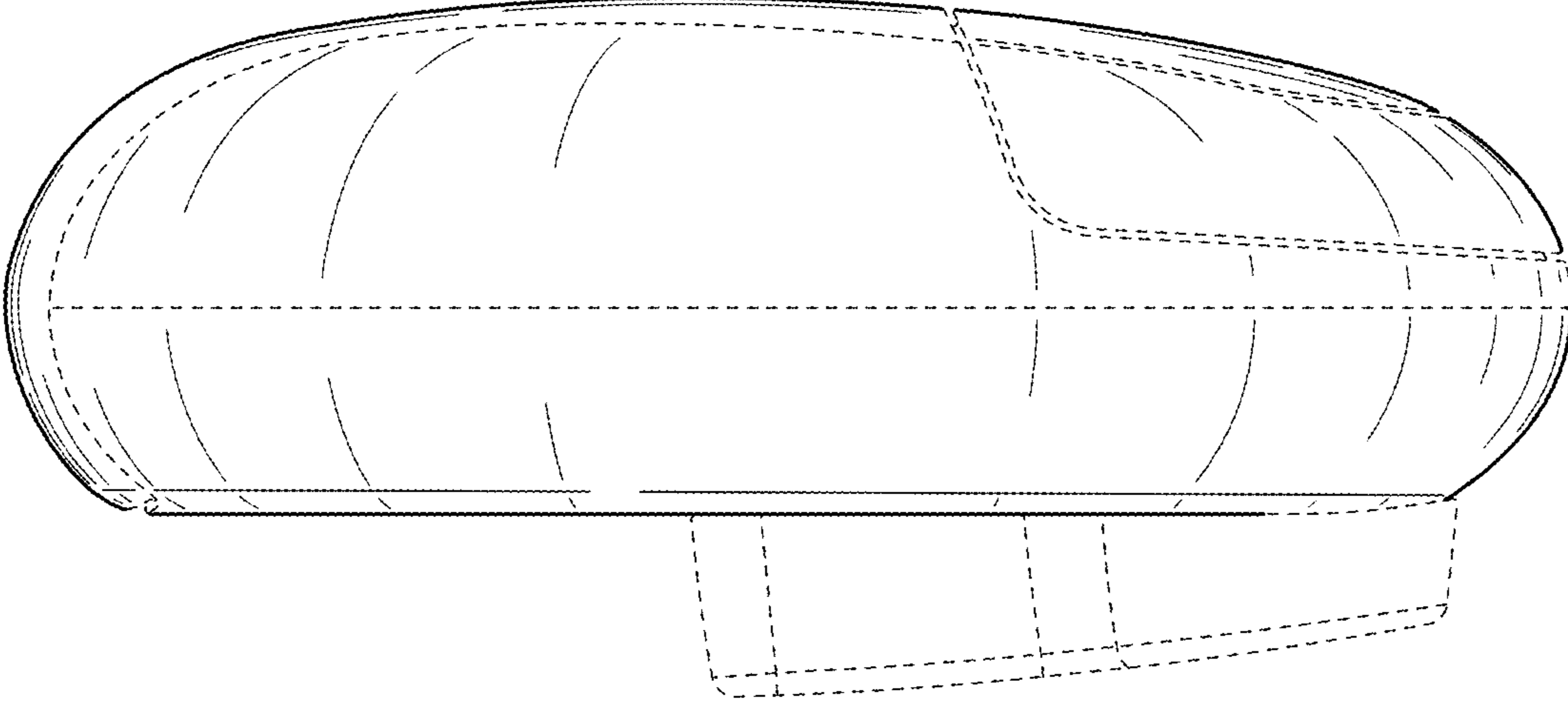


FIG. 5

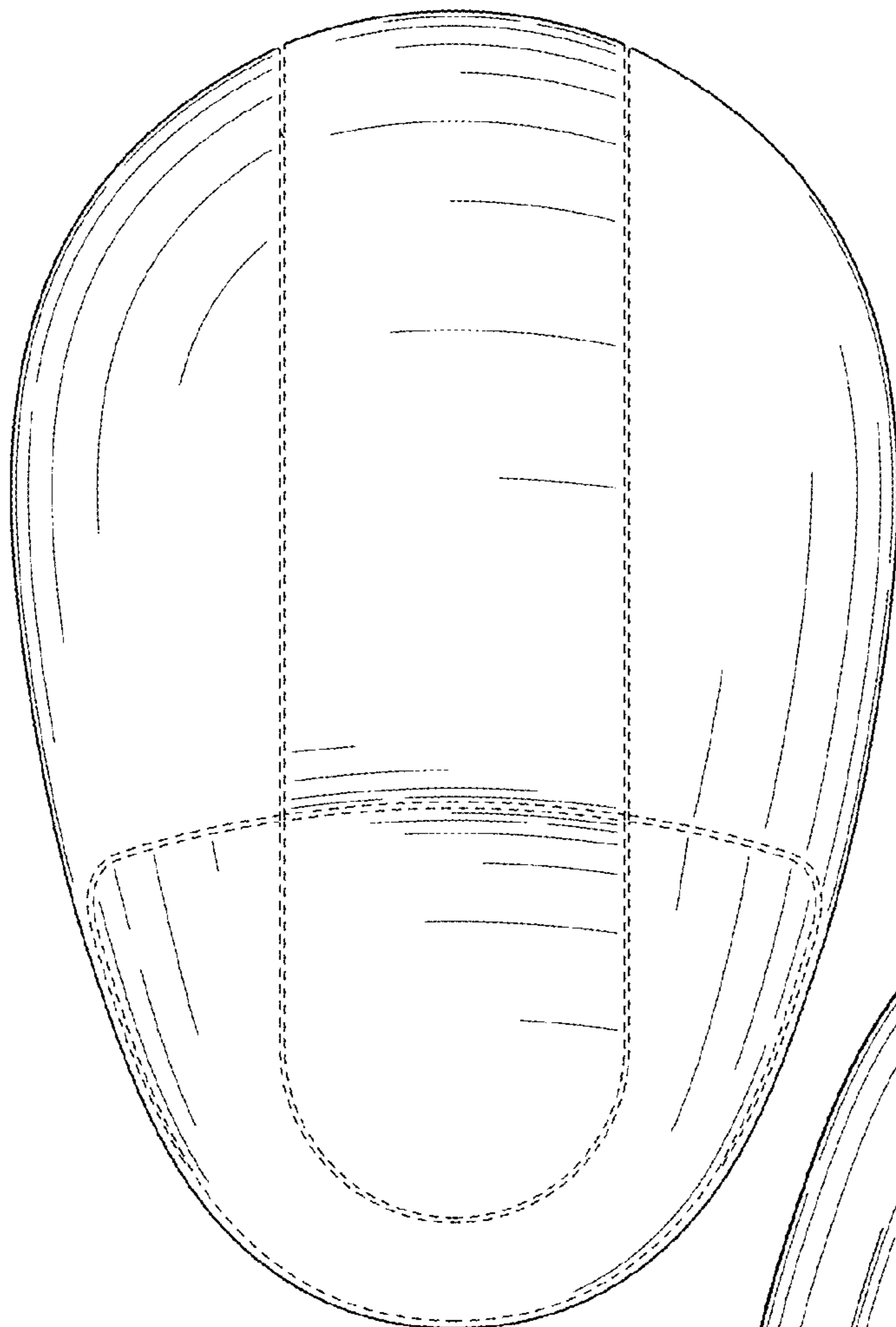


FIG. 6

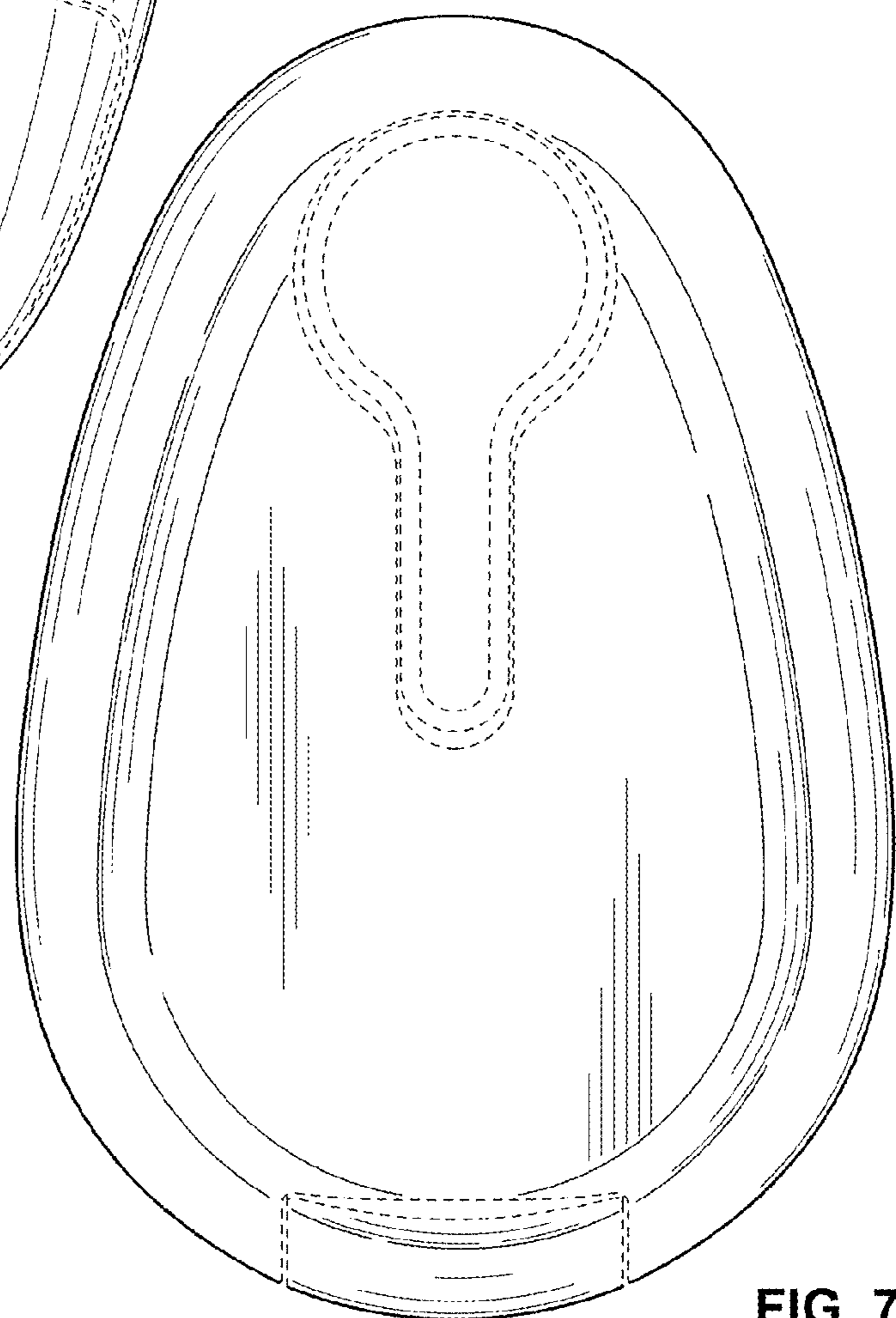


FIG. 7

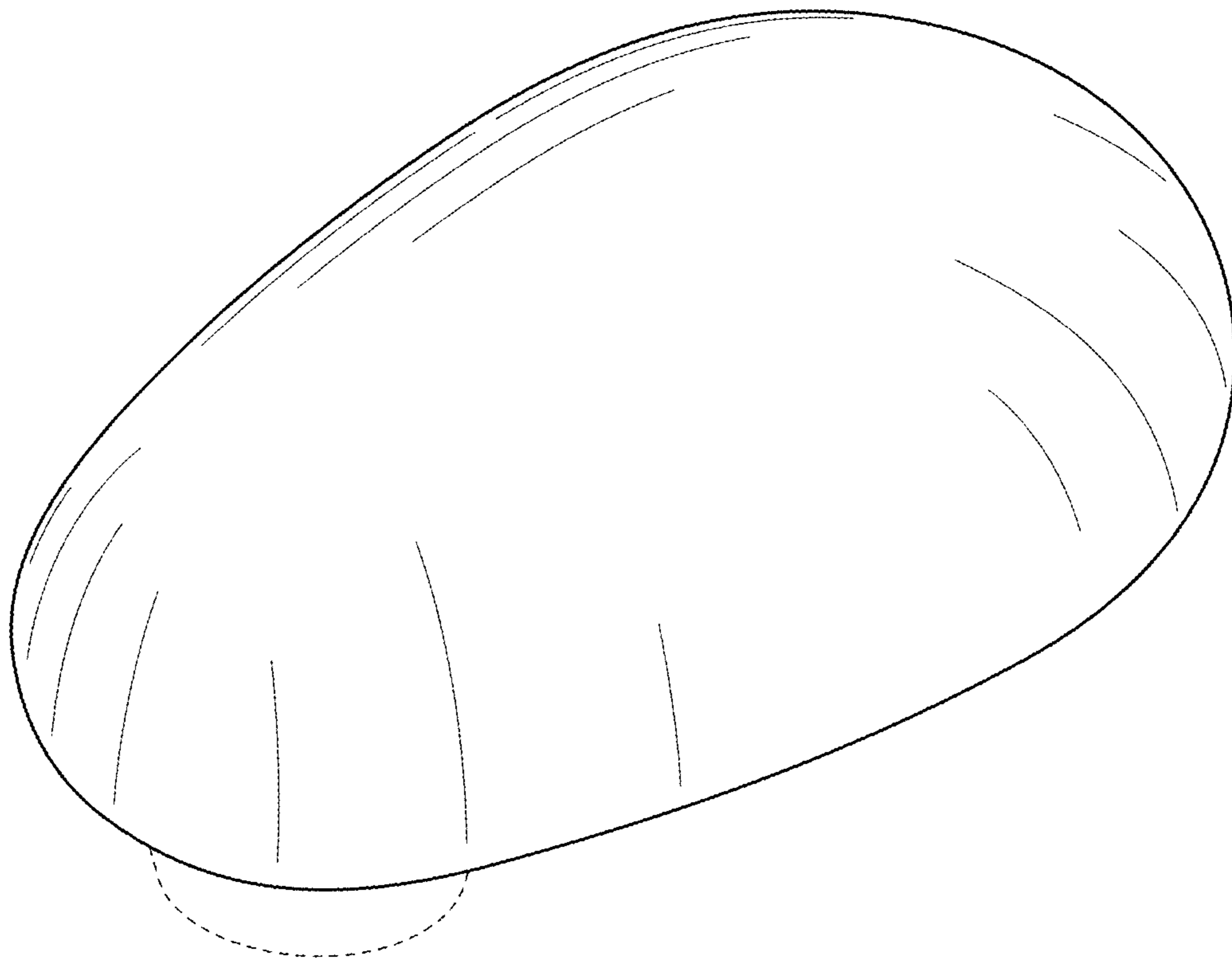
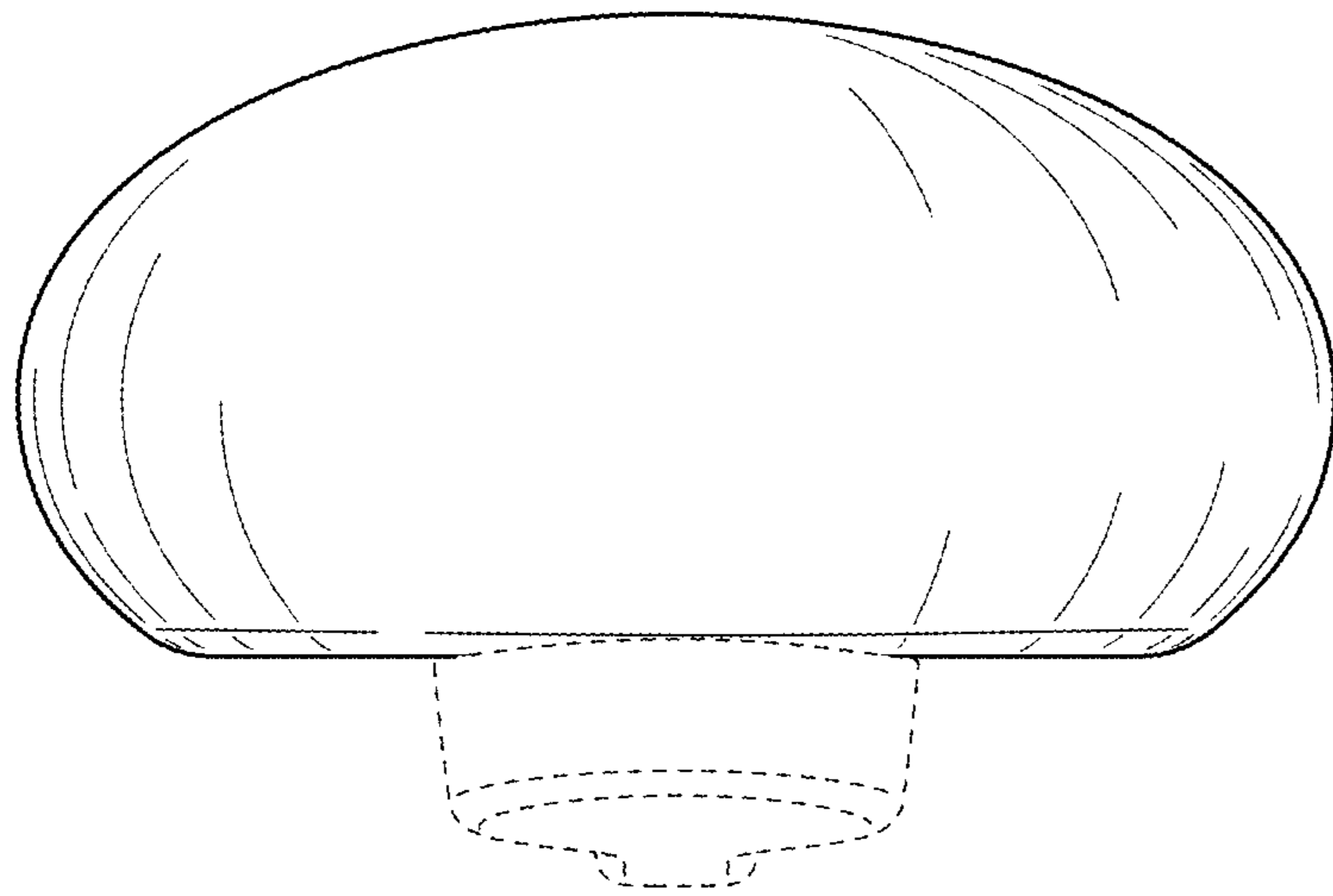
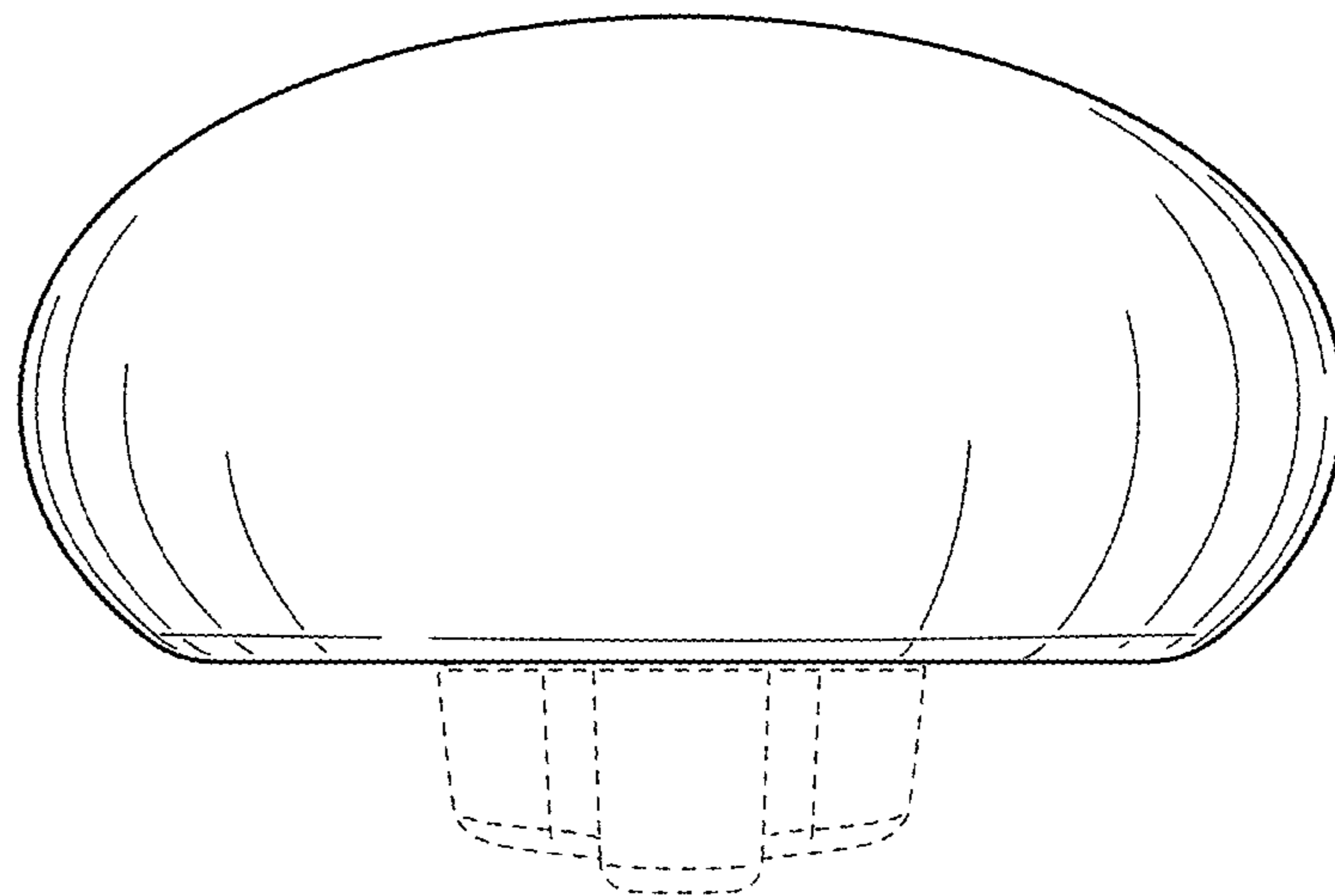


FIG. 8



**FIG. 9**



**FIG. 10**



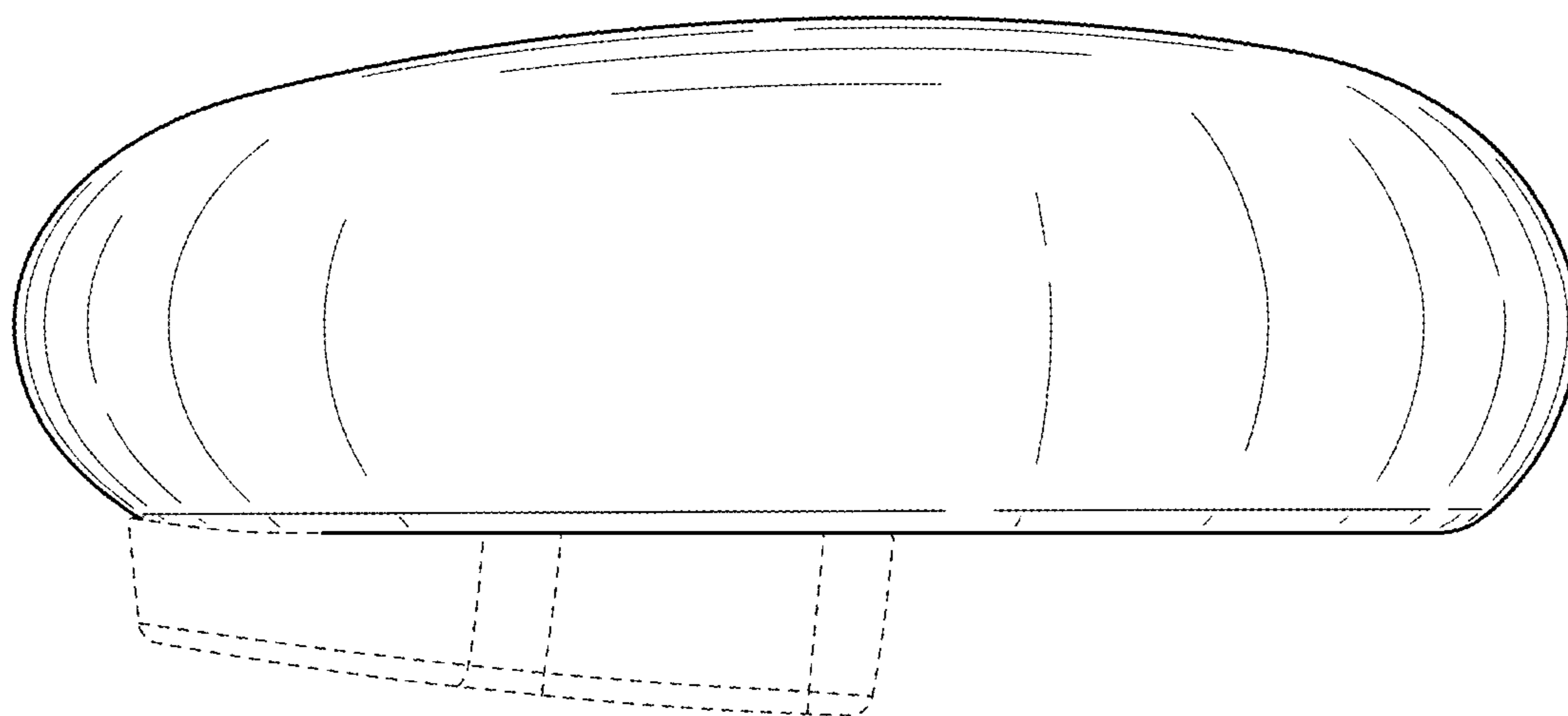


FIG. 11

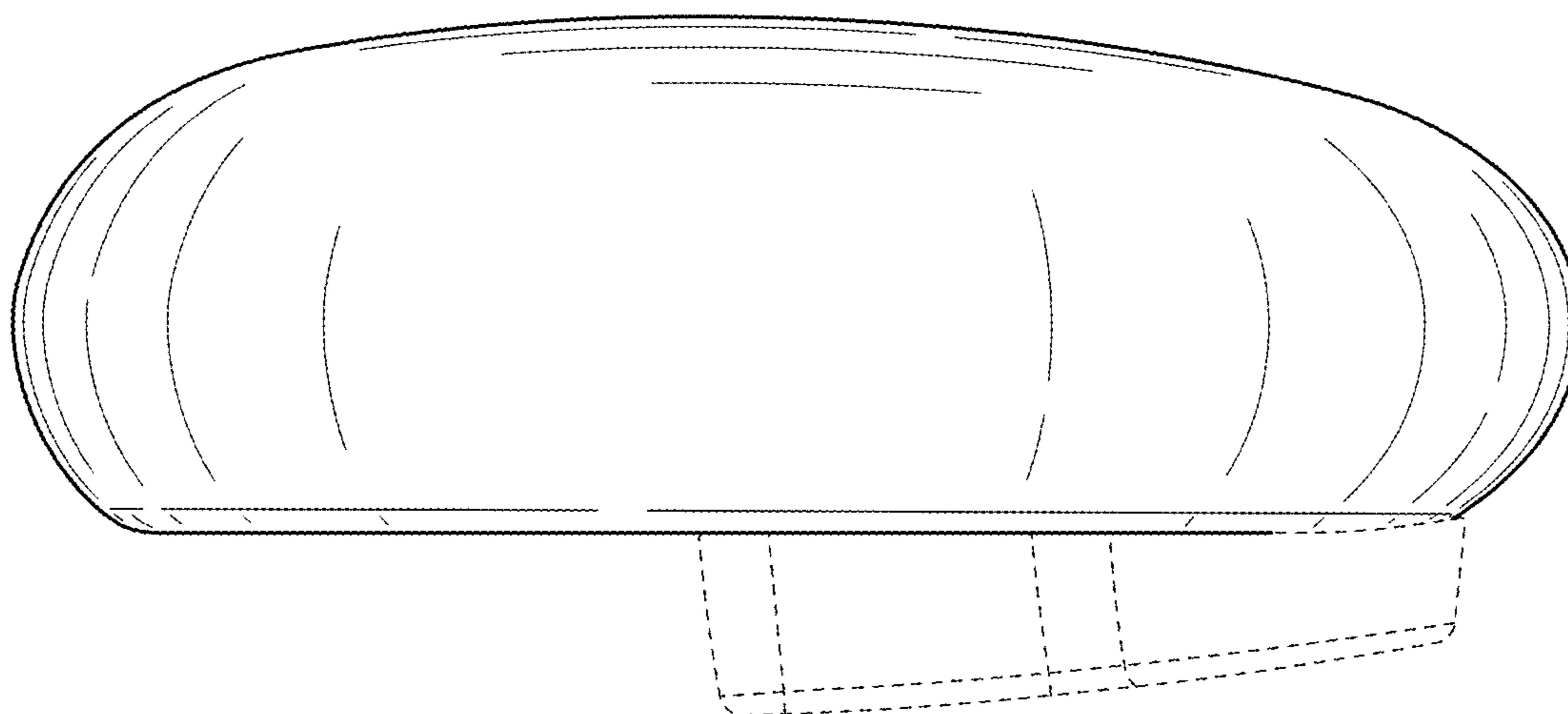


FIG. 12

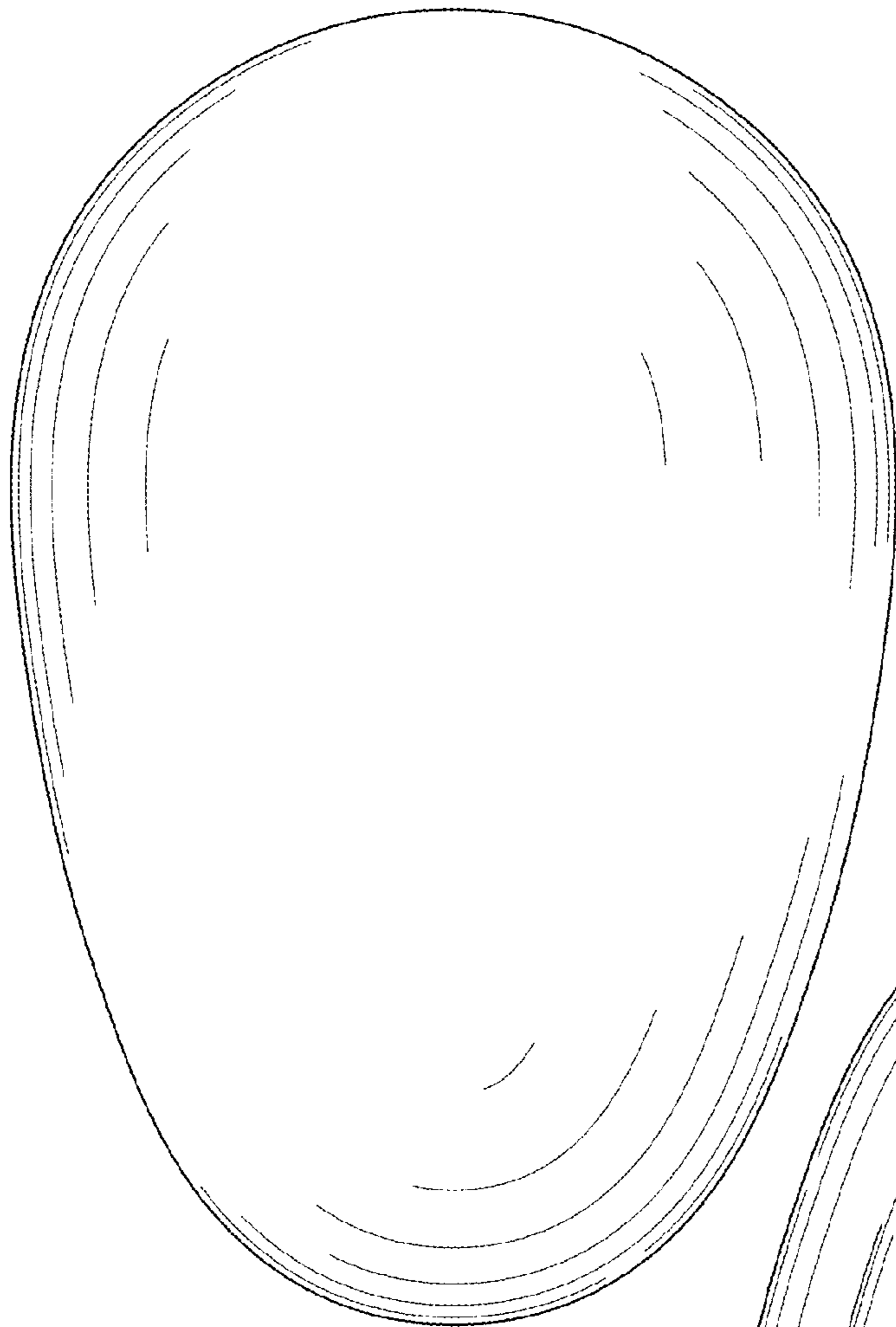


FIG. 13

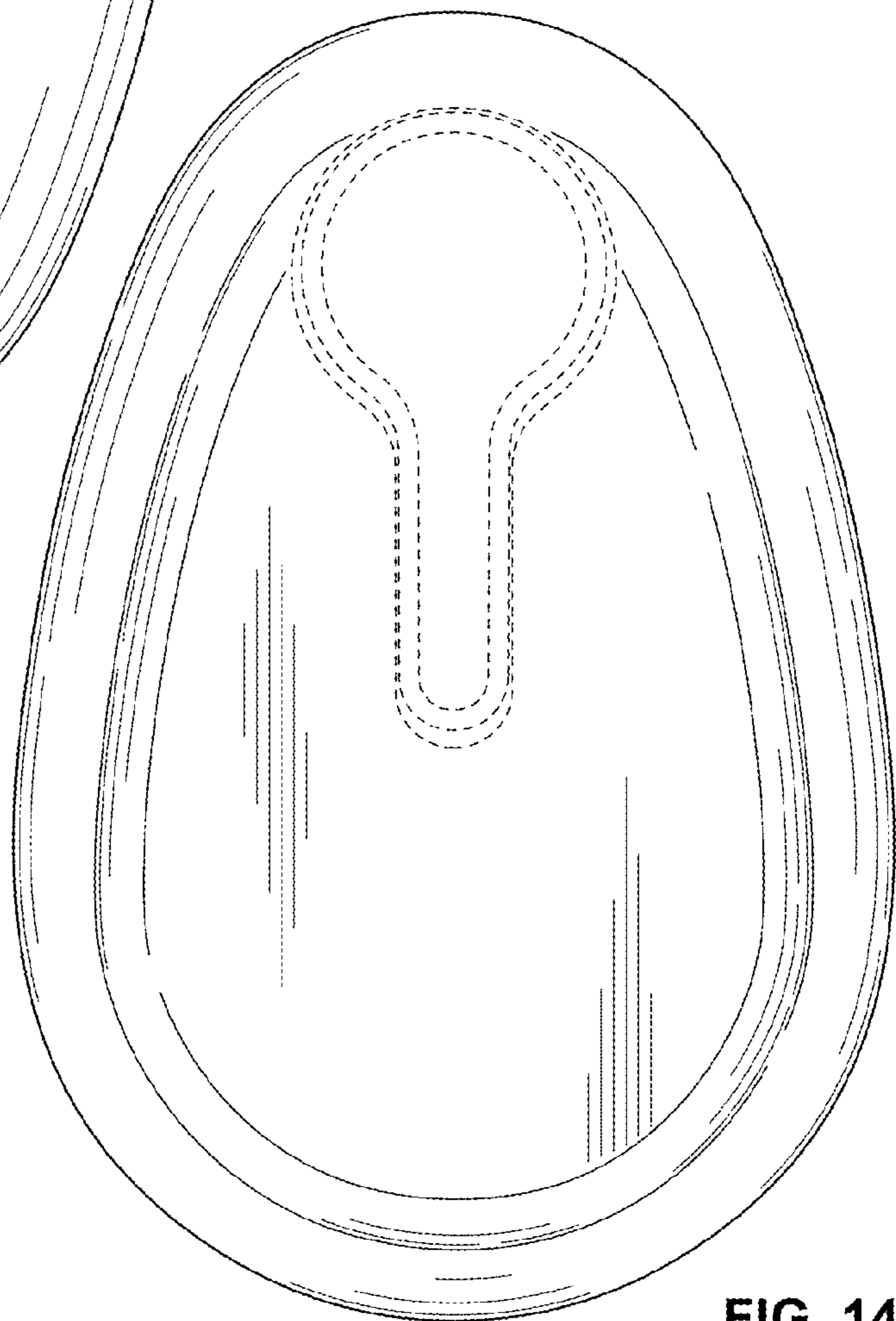


FIG. 14