



US00D891609S

(12) **United States Design Patent**
Tibbatts et al.

(10) **Patent No.:** **US D891,609 S**
(45) **Date of Patent:** **** Jul. 28, 2020**

(54) **DRY POWDER INHALER**

DESCRIPTION

(71) Applicant: **Philip Morris Products S.A.**,
Neuchatel (CH)

(72) Inventors: **James Tibbatts**, Cambridge (GB);
Robin Craig Cocker, Derby (GB); **Ben Alexander King**, Peterborough (GB);
Christopher Iain Davidson, Cambridge (GB); **Paul Mutti**, Lincolnshire (GB);
Timothy Michael Evans, Cambridge (GB); **Alex Stenzler**, Long Beach, CA (US); **Steve Han**, Huntington Beach, CA (US)

(73) Assignee: **Philip Morris Products S.A.**,
Neuchatel (CH)

(**) Term: **15 Years**

(21) Appl. No.: **29/592,602**

(22) Filed: **Jan. 31, 2017**

(51) **LOC (12) Cl.** **29-02**

(52) **U.S. Cl.**
USPC **D24/110**

(58) **Field of Classification Search**
USPC D24/107, 108, 110, 110.1–110.5, 127,
D24/164; D29/108; 128/200.14, 200.23
(Continued)

(56) **References Cited**

U.S. PATENT DOCUMENTS

D441,446 S * 5/2001 Dagsland D24/110
9,095,175 B2 * 8/2015 Terry A24F 47/008
(Continued)

Primary Examiner — Sheryl Lane
Assistant Examiner — Aula Soroush
(74) *Attorney, Agent, or Firm* — Mueting Raasch Group

(57) **CLAIM**
We claim the ornamental design for a dry powder inhaler, as shown and described.

FIG. 1 is a front view of the dry powder inhaler with mouthpiece retracted;
FIG. 2 is a right side view thereof with mouthpiece retracted;
FIG. 3 is a left side view thereof with mouthpiece retracted;
FIG. 4 is a back view thereof with mouthpiece retracted;
FIG. 5 is a top view thereof with mouthpiece retracted;
FIG. 6 is a bottom view thereof with mouthpiece retracted;
FIG. 7 is a top-back perspective view thereof with mouthpiece retracted;
FIG. 8 is a bottom-front perspective view thereof with mouthpiece retracted;
FIG. 9 is a bottom-back perspective view thereof with mouthpiece retracted;
FIG. 10 is a front view thereof with mouthpiece extended and the mouthpiece cover closed;
FIG. 11 is a right side view thereof with mouthpiece extended and the mouthpiece cover closed;
FIG. 12 is a left side view thereof with mouthpiece extended and the mouthpiece cover closed;
FIG. 13 is a back view thereof with mouthpiece extended and the mouthpiece cover closed;
FIG. 14 is a top view thereof with mouthpiece extended and the mouthpiece cover closed;
FIG. 15 is a bottom view thereof with mouthpiece extended and the mouthpiece cover closed;
FIG. 16 is a top-front perspective view thereof with mouthpiece extended and the mouthpiece cover closed;
FIG. 17 is a top-back perspective view thereof with mouthpiece extended and the mouthpiece cover closed;
FIG. 18 is a bottom-front perspective view thereof with mouthpiece extended and the mouthpiece cover closed;
FIG. 19 is a bottom-back perspective view thereof with mouthpiece extended and the mouthpiece cover closed;
FIG. 20 is a front view thereof with mouthpiece extended and the mouthpiece cover open;
FIG. 21 is a right side view thereof with mouthpiece extended and the mouthpiece cover open;
FIG. 22 is a left side view thereof with mouthpiece extended and the mouthpiece cover open;
FIG. 23 is a back view thereof with mouthpiece extended and the mouthpiece cover open;
(Continued)

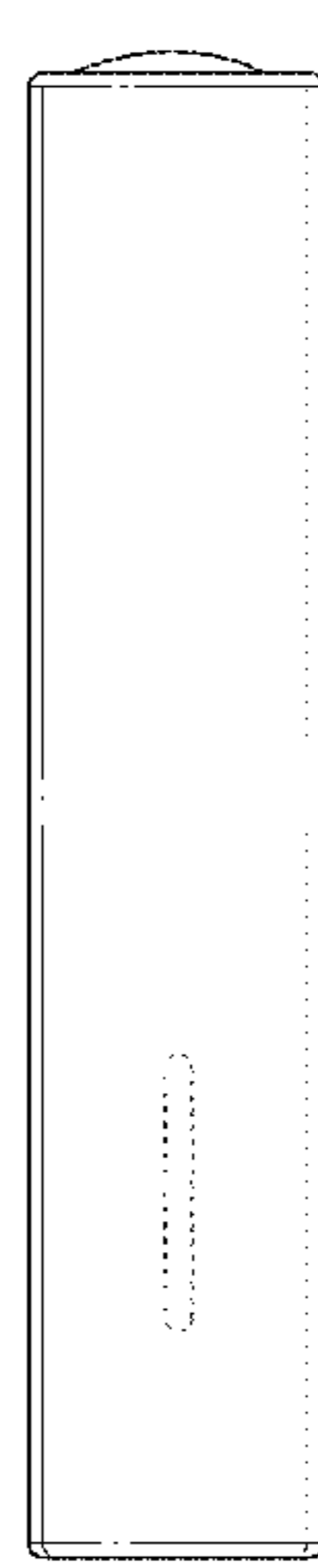


FIG. 24 is a top view thereof with mouthpiece extended and the mouthpiece cover open;

FIG. 25 is a bottom view thereof with mouthpiece extended and the mouthpiece cover open;

FIG. 26 is a top-front perspective view thereof with mouthpiece extended and the mouthpiece cover open;

FIG. 27 is a top-back perspective view thereof with mouthpiece extended and the mouthpiece cover open;

FIG. 28 is a bottom-front perspective view thereof with mouthpiece extended and the mouthpiece cover open; and,

FIG. 29 is a bottom-back perspective view thereof with mouthpiece extended and the mouthpiece cover open.

The broken lines in the drawings illustrate portions of the dry powder inhaler that form no part of the claimed design.

1 Claim, 15 Drawing Sheets

(58) **Field of Classification Search**

CPC A61M 15/0085; A61M 15/0005; A61M 11/005; A61M 11/00; A61M 11/02; A61M 11/04; A61M 5/087; A61M 5/0871; A61M 5/091; A61M 5/097; A61M 15/00; A61M 15/0065; A61M

15/0091; A61M 15/0021; A61M 15/0026; A61M 15/008; A61M 15/007; A63B 23/18

See application file for complete search history.

(56)

References Cited

U.S. PATENT DOCUMENTS

9,675,117	B2 *	6/2017	Li	A61M 15/06
2003/0200964	A1 *	10/2003	Blakley	A61M 15/0065
				128/200.23
2012/0111347	A1 *	5/2012	Hon	A24F 47/008
				131/329
2013/0140200	A1 *	6/2013	Scatterday	A24F 15/00
				206/265
2014/0096781	A1 *	4/2014	Sears	A24F 47/008
				131/328
2014/0123989	A1 *	5/2014	LaMothe	A24F 47/008
				131/328
2014/0174459	A1 *	6/2014	Burstyn	A24F 47/008
				131/273
2014/0182611	A1 *	7/2014	Liu	A24F 47/008
				131/329
2017/0311648	A1 *	11/2017	Gill	A24F 47/008
2018/0021529	A1 *	1/2018	Tibbatts	A61M 15/0008

* cited by examiner

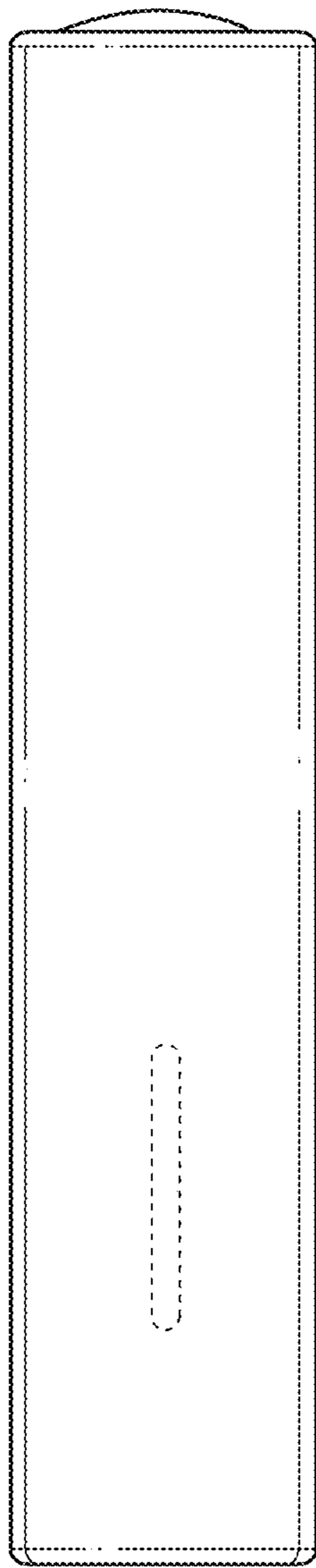


FIG. 1

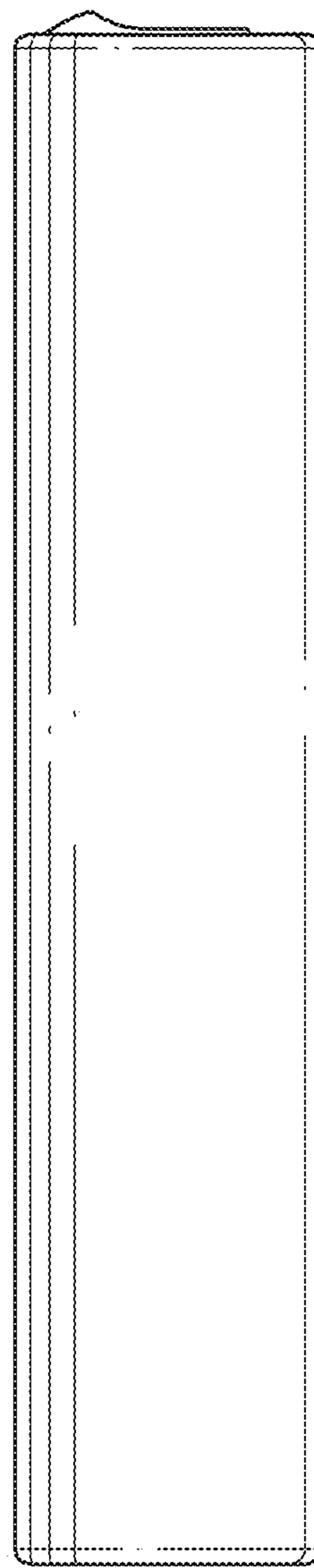


FIG. 2

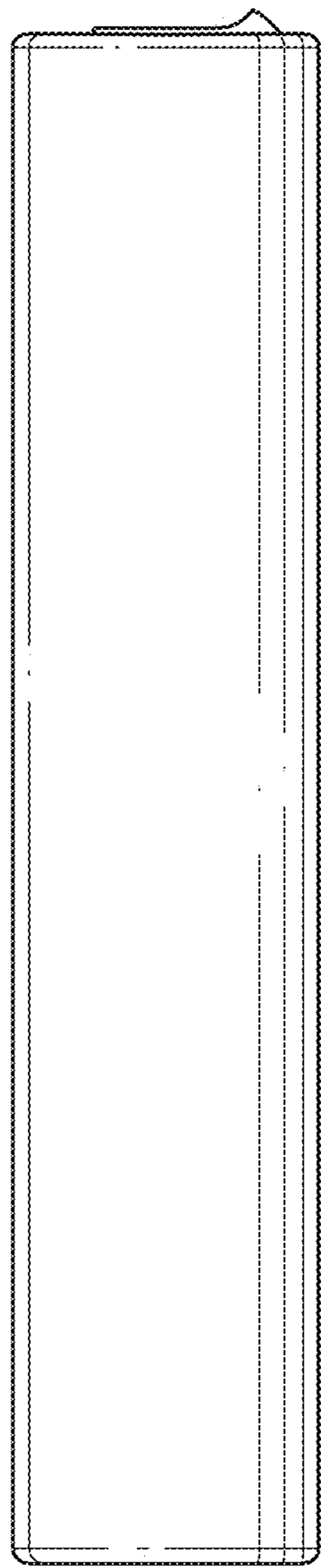


FIG. 3

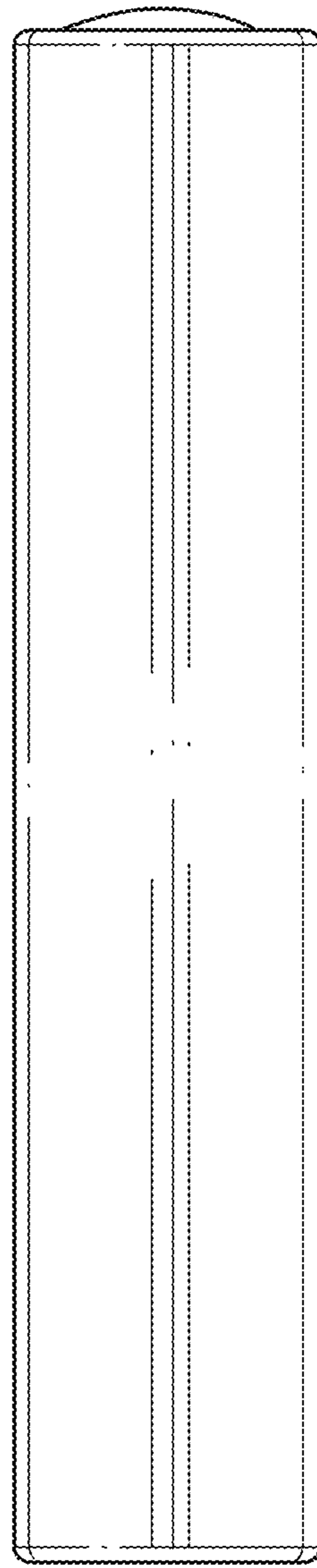


FIG. 4

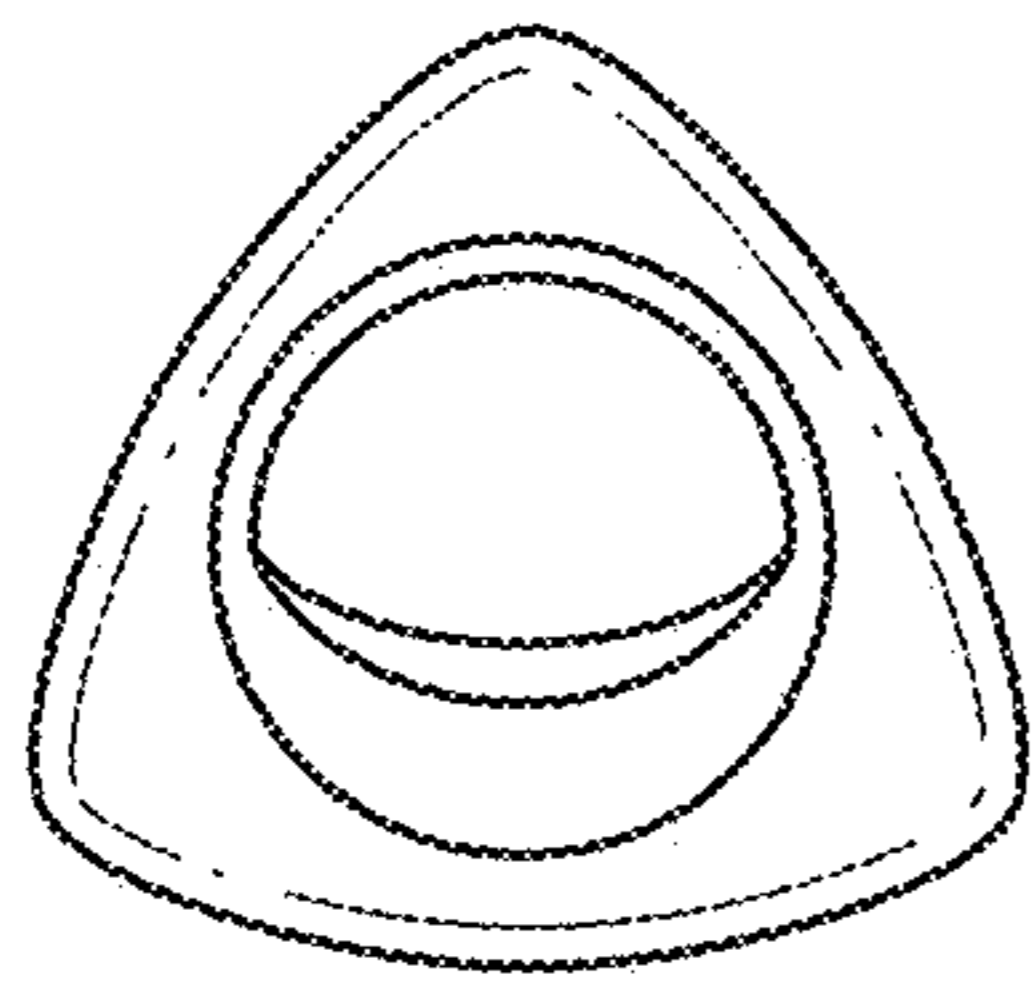


FIG. 5

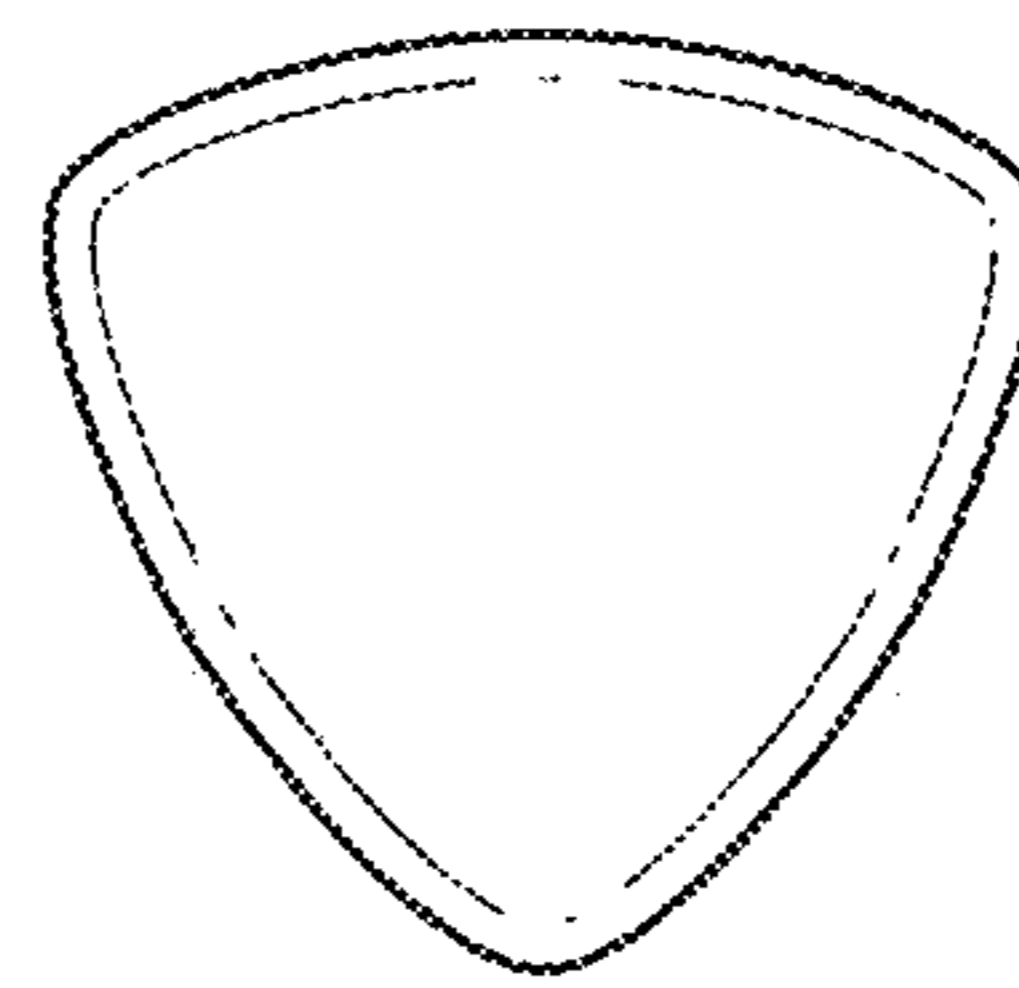


FIG. 6

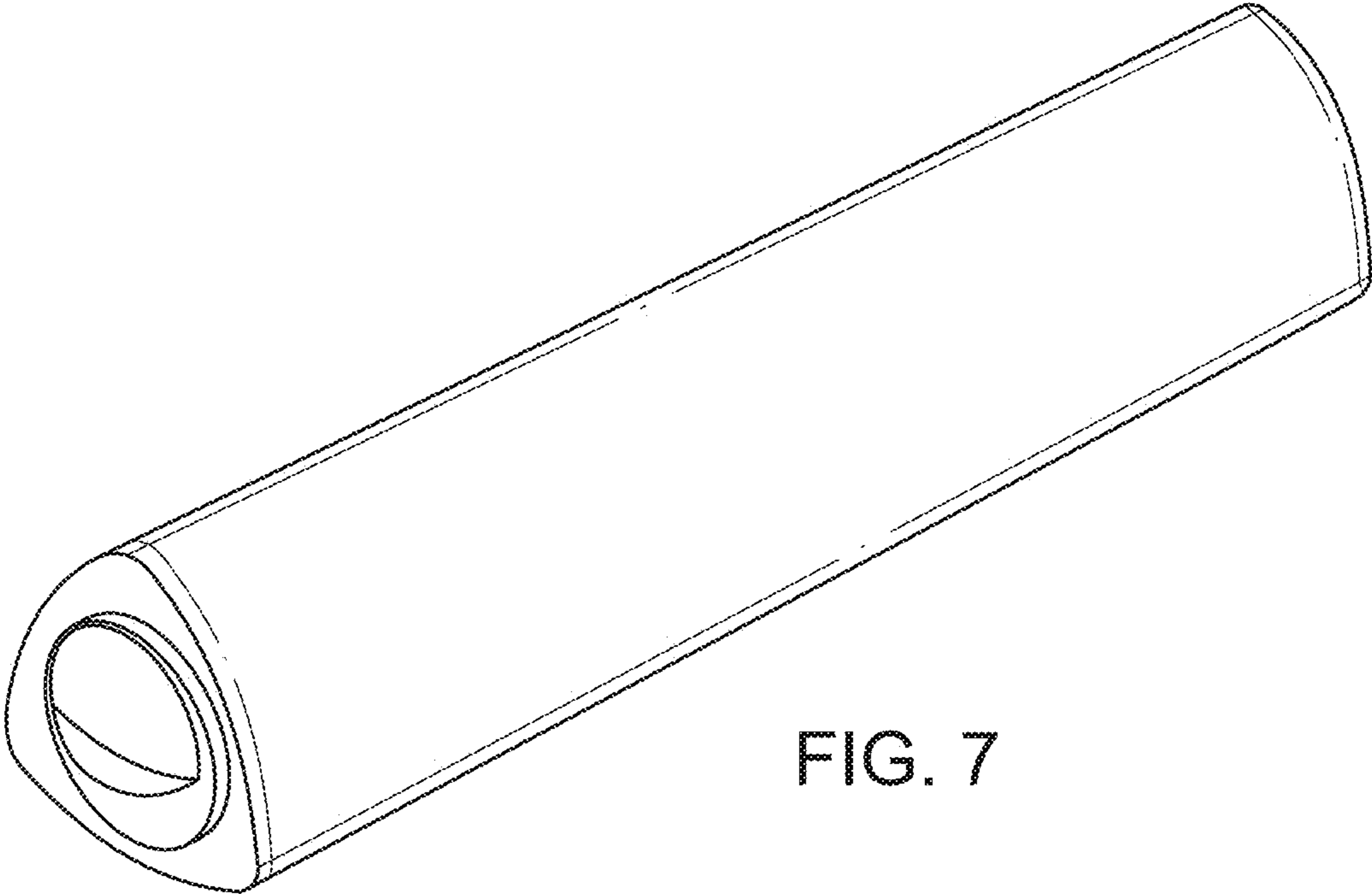


FIG. 7

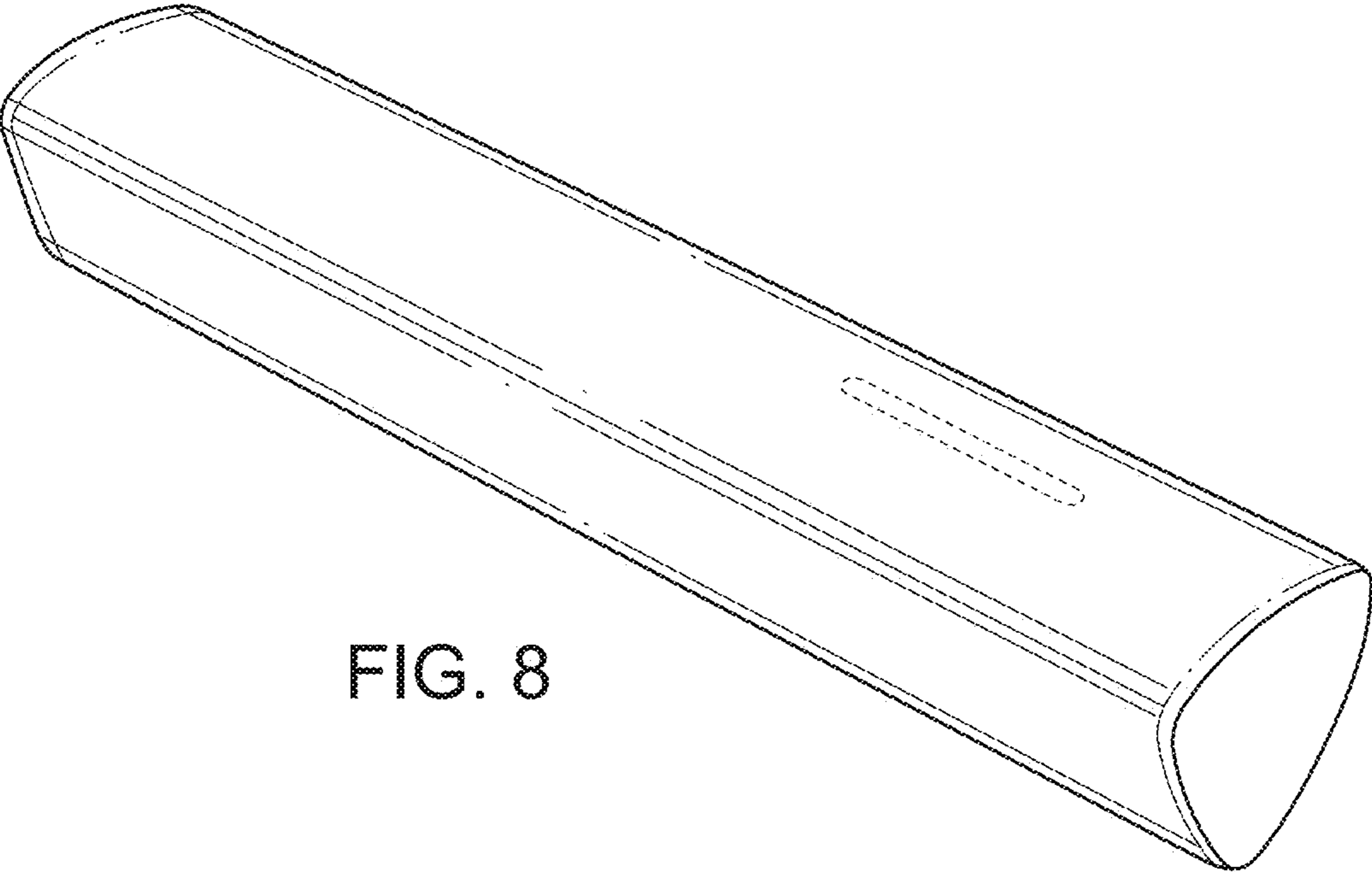


FIG. 8

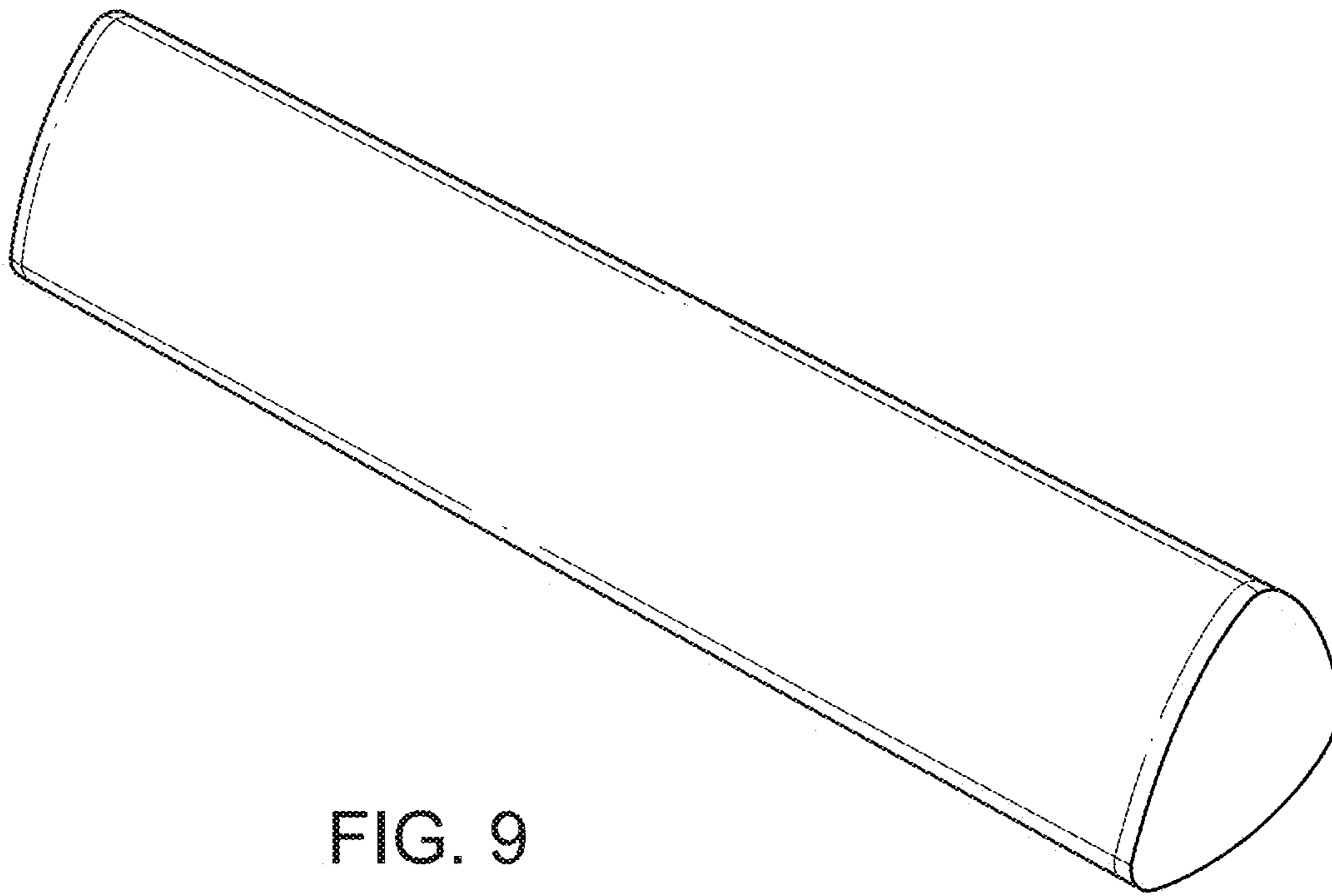


FIG. 9

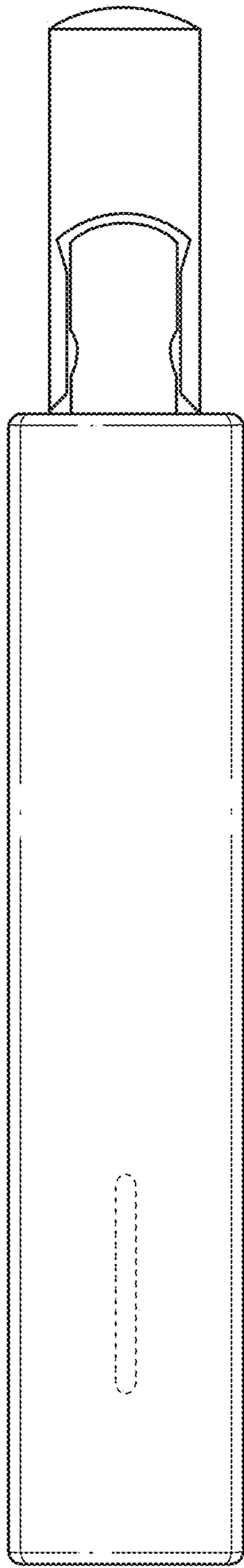


FIG. 10

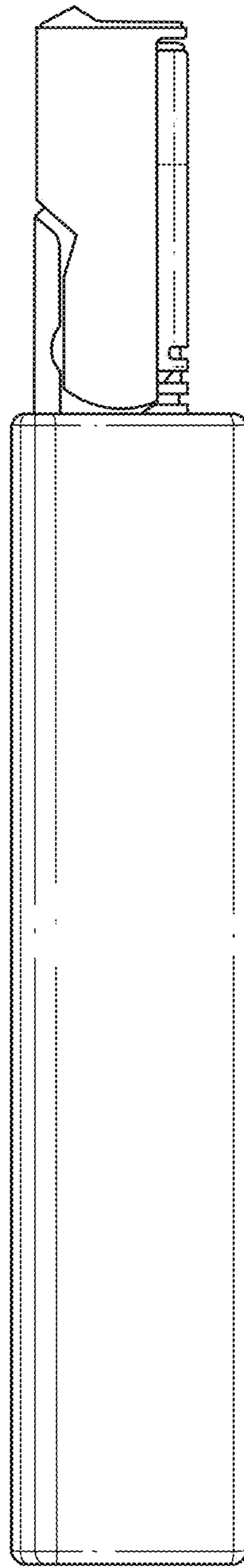


FIG. 11

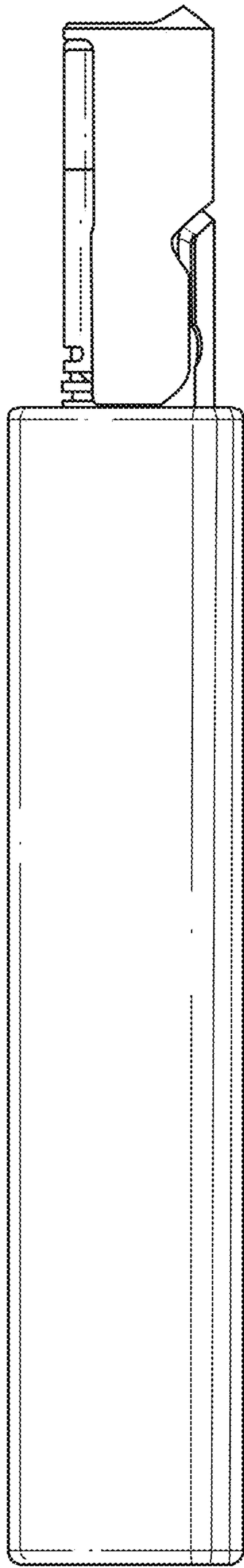


FIG. 12

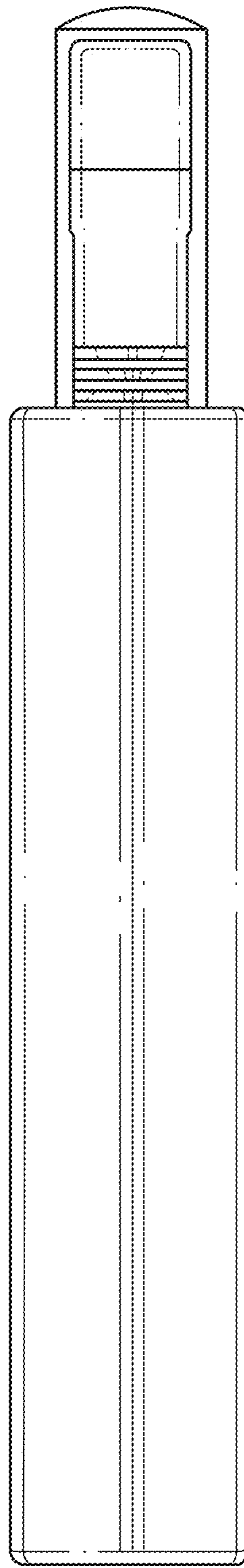


FIG. 13

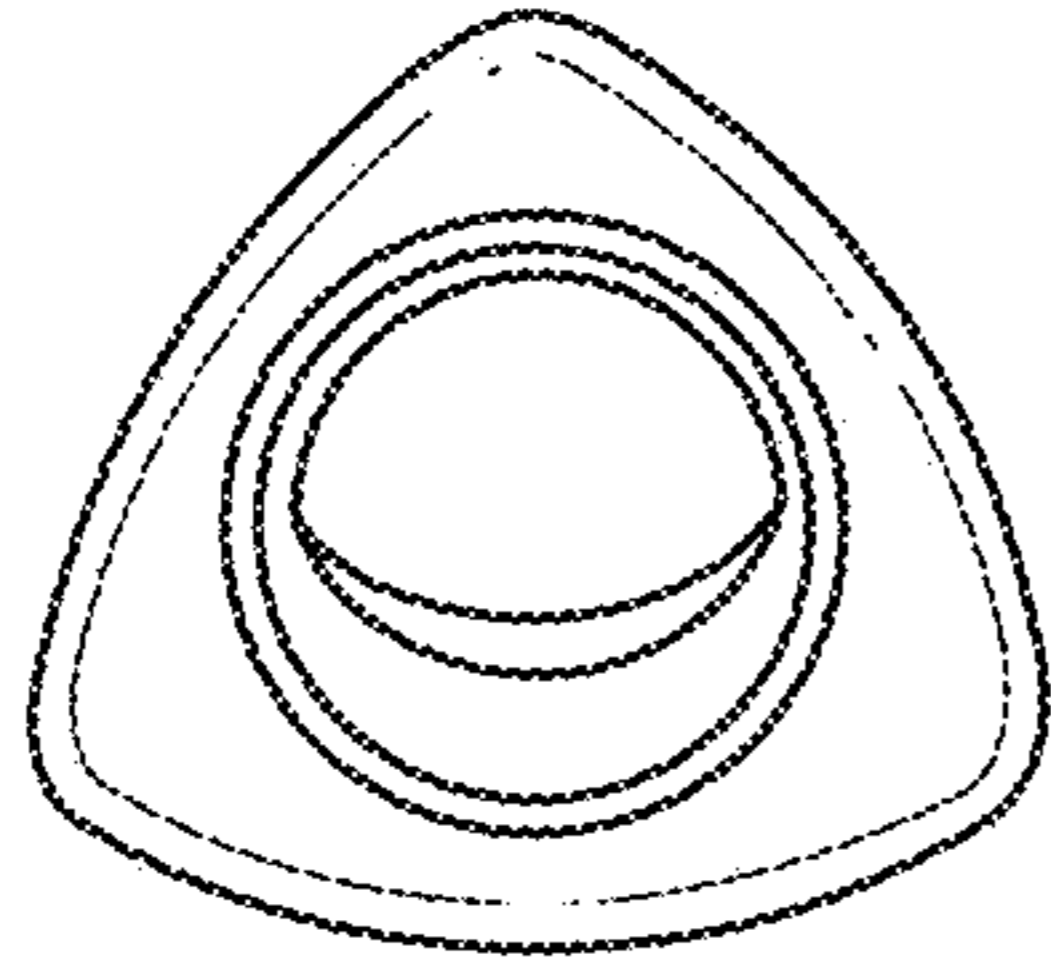


FIG. 14

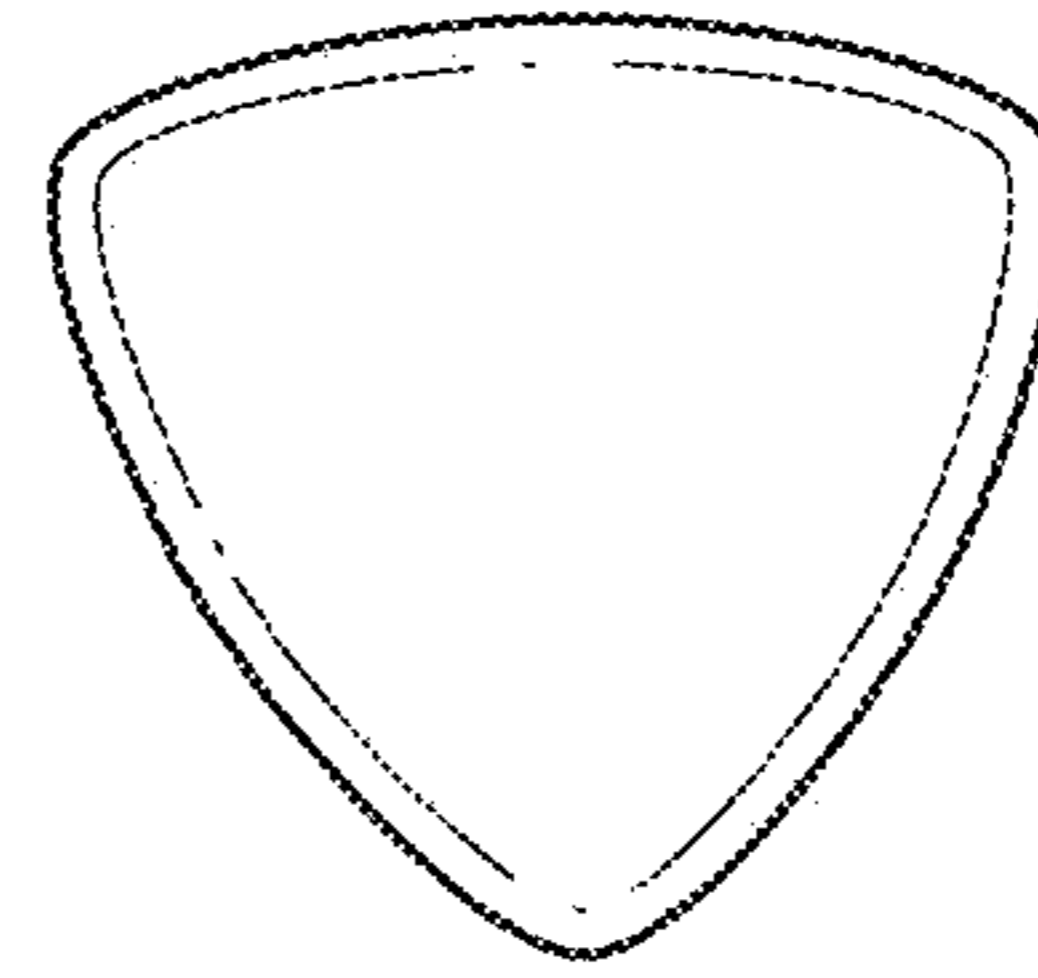


FIG. 15

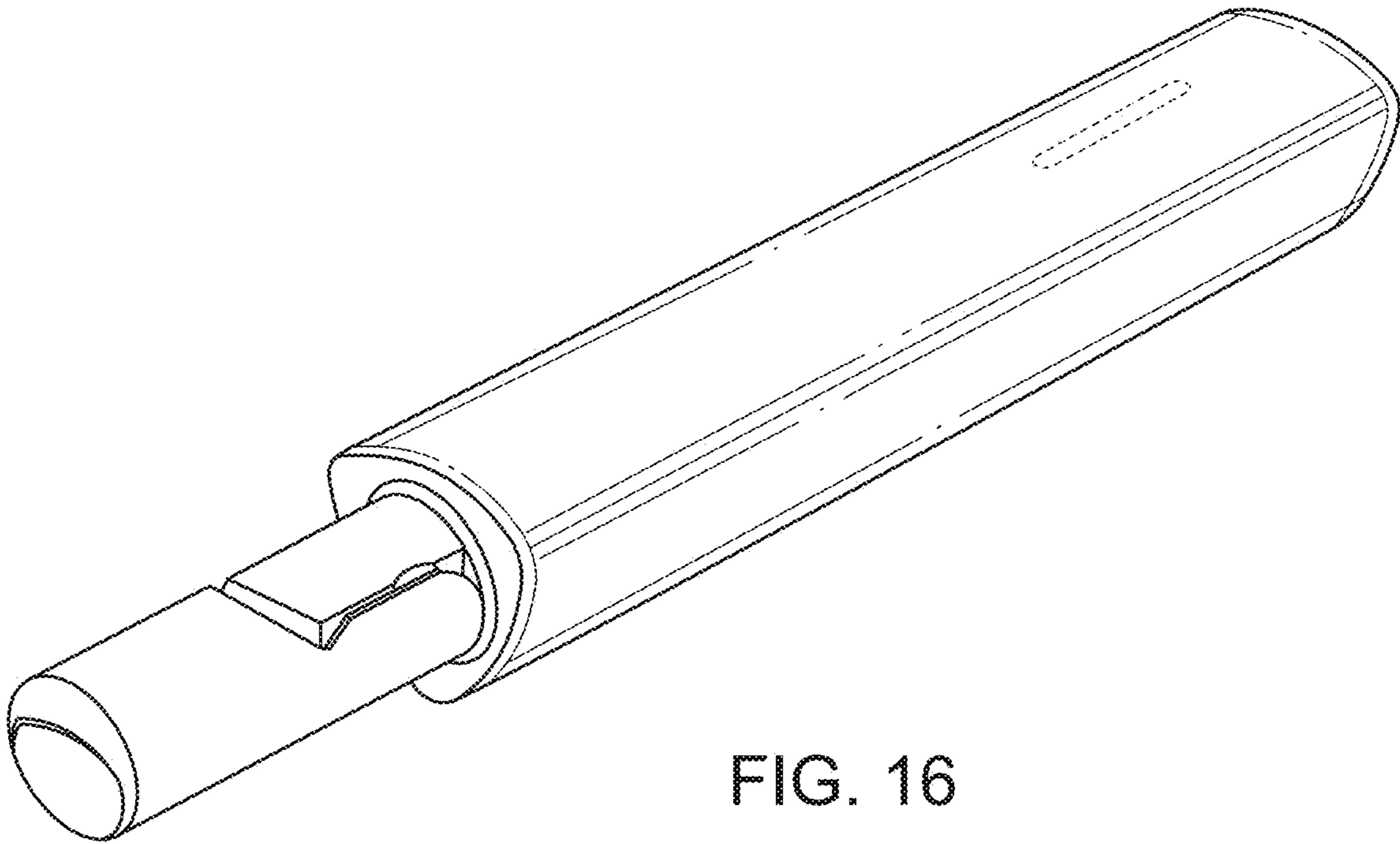


FIG. 16

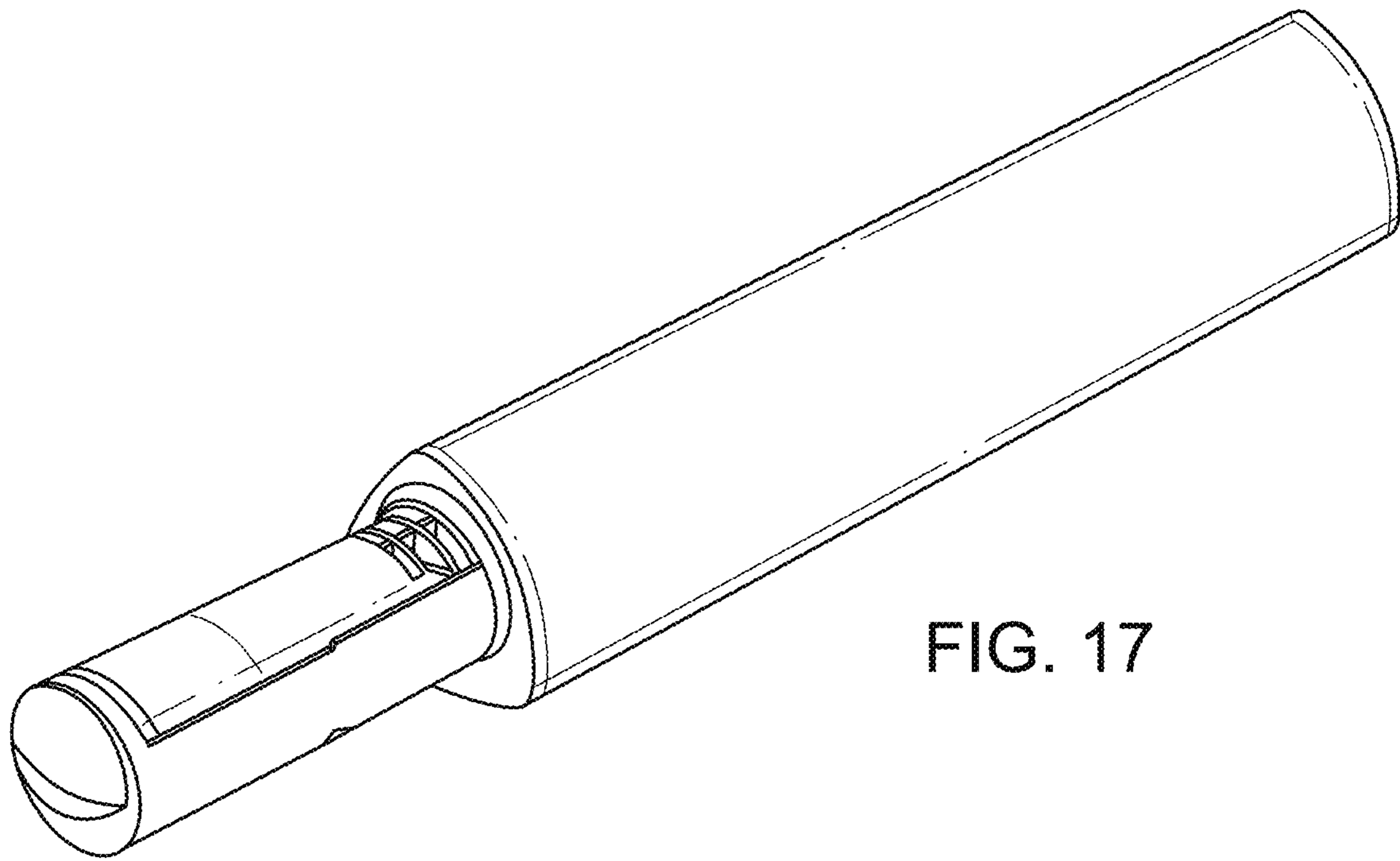


FIG. 17

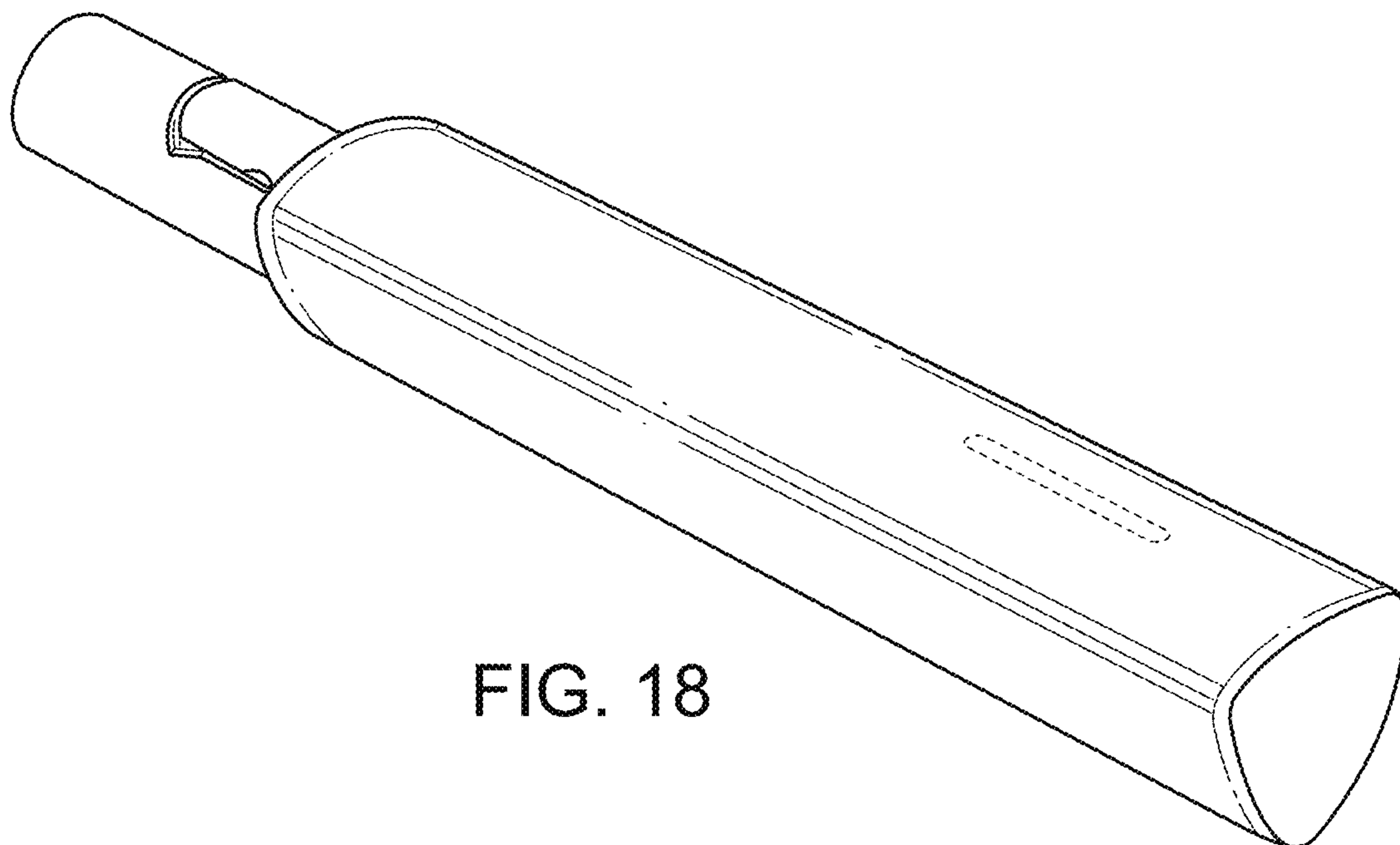


FIG. 18

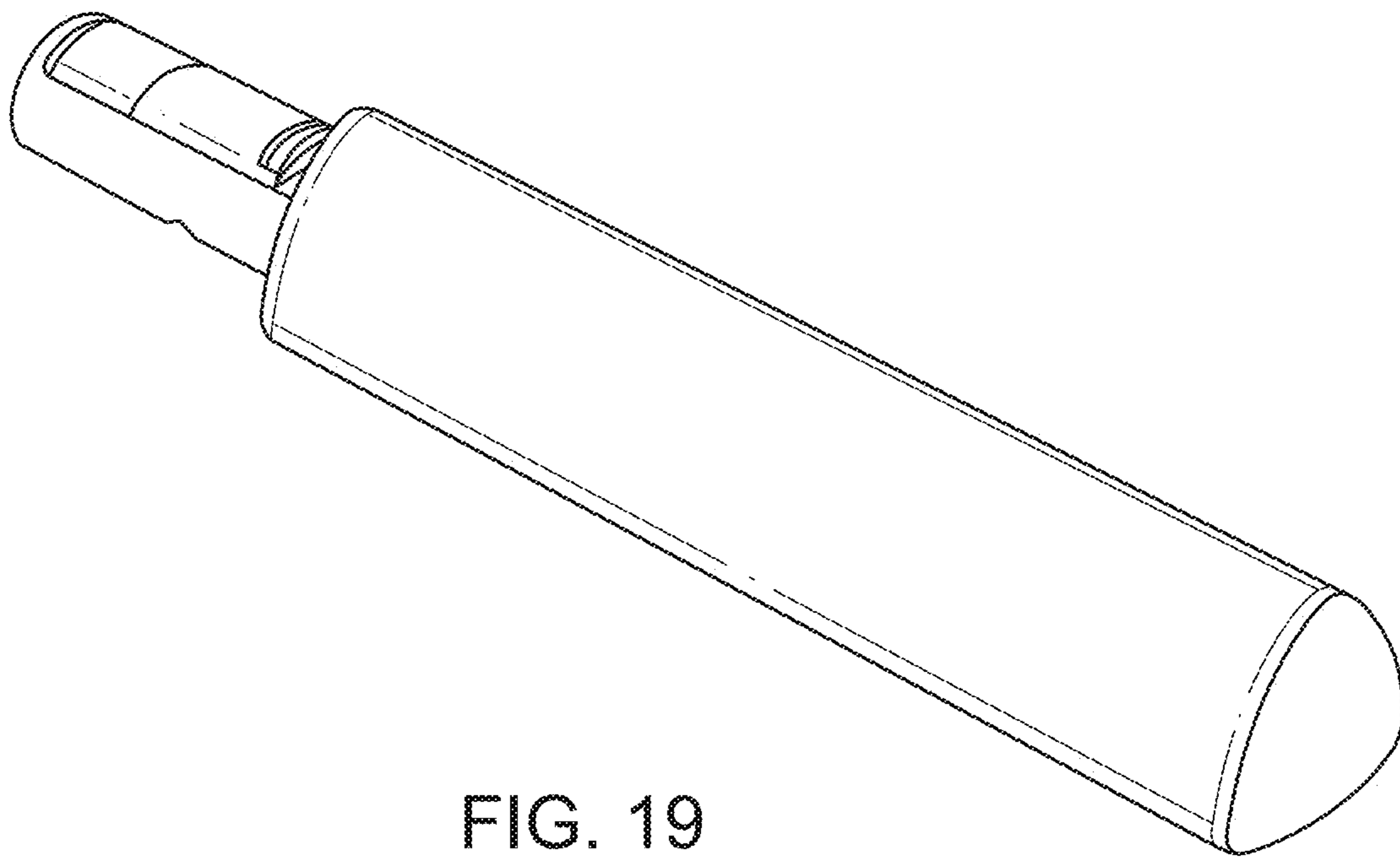


FIG. 19

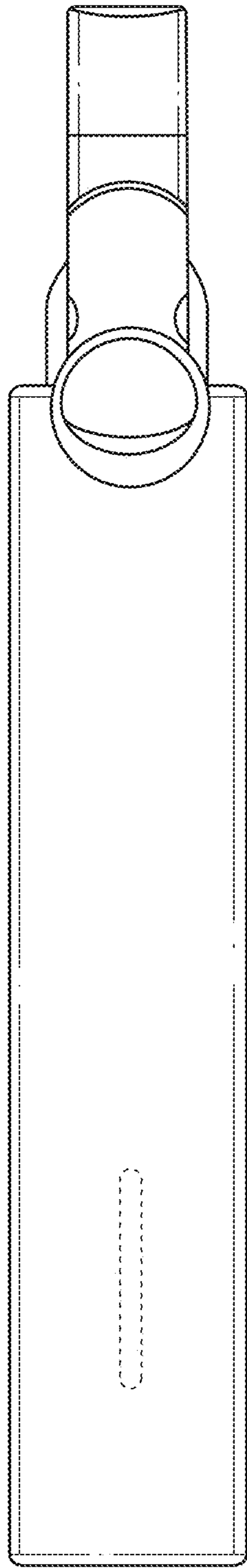


FIG. 20

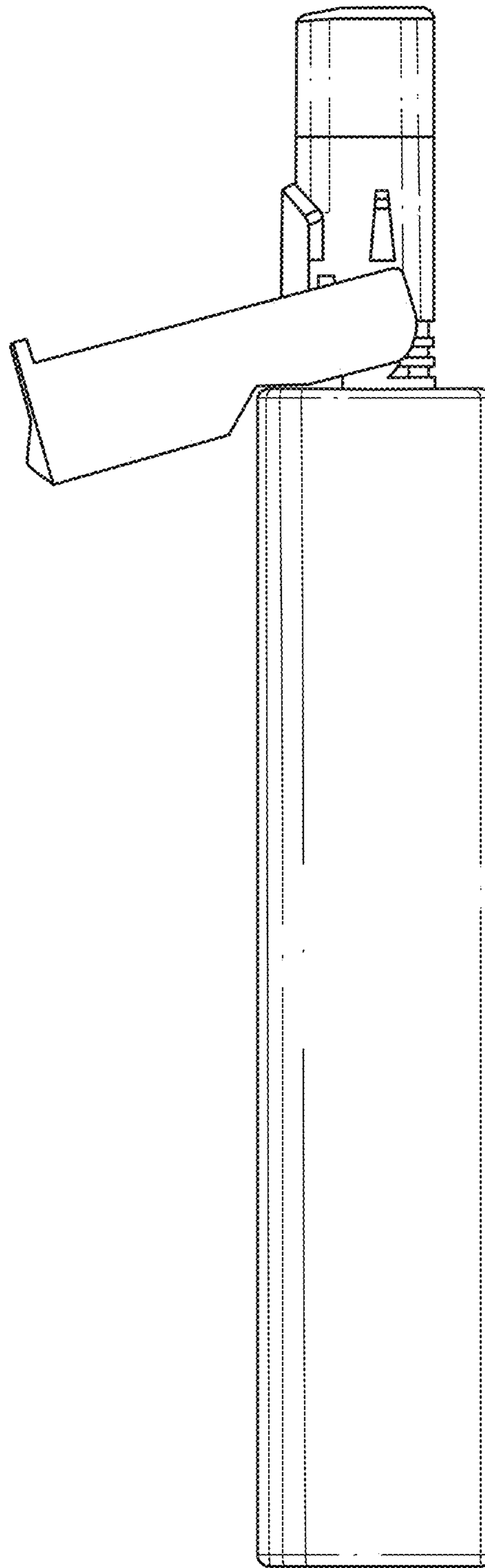


FIG. 21

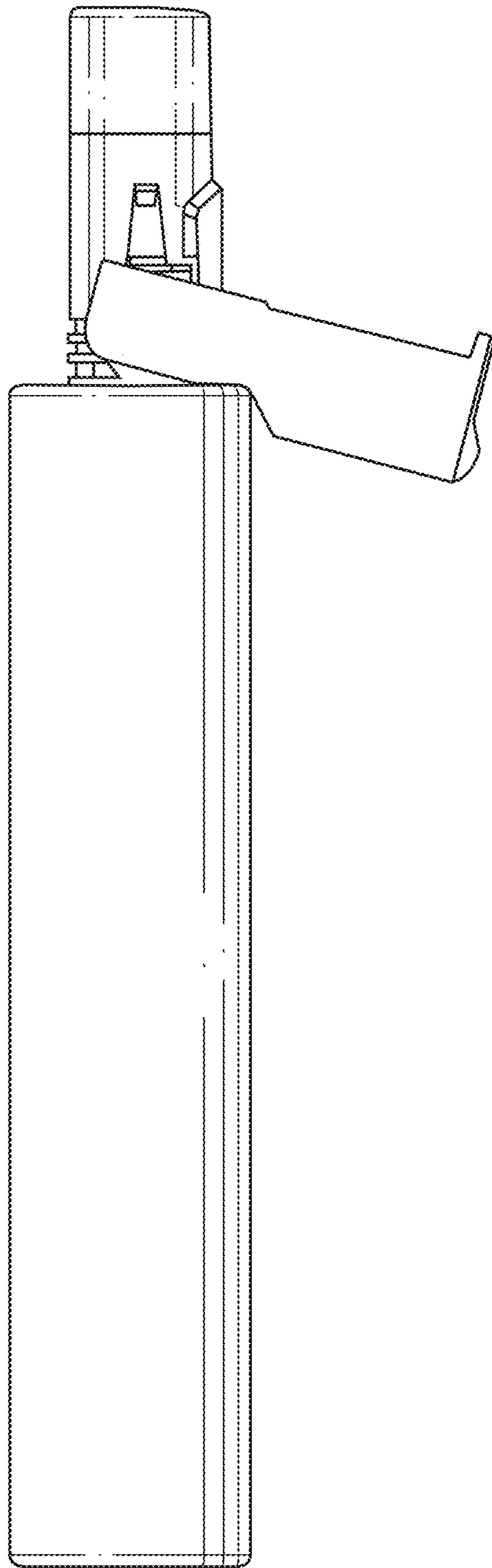


FIG. 22

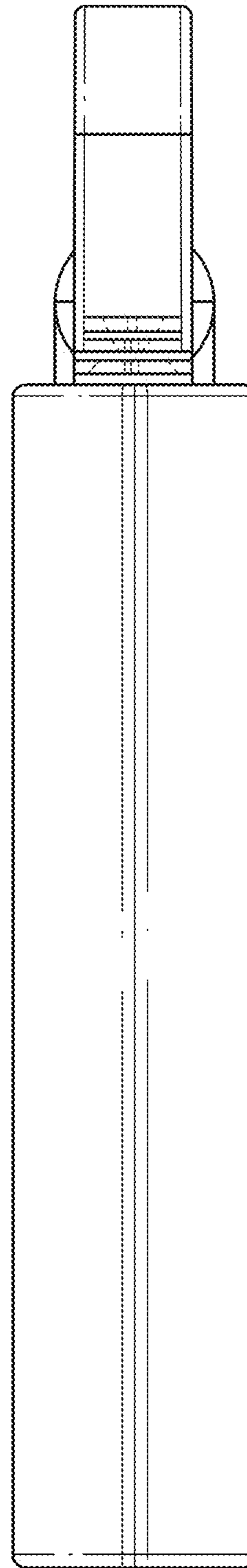


FIG. 23

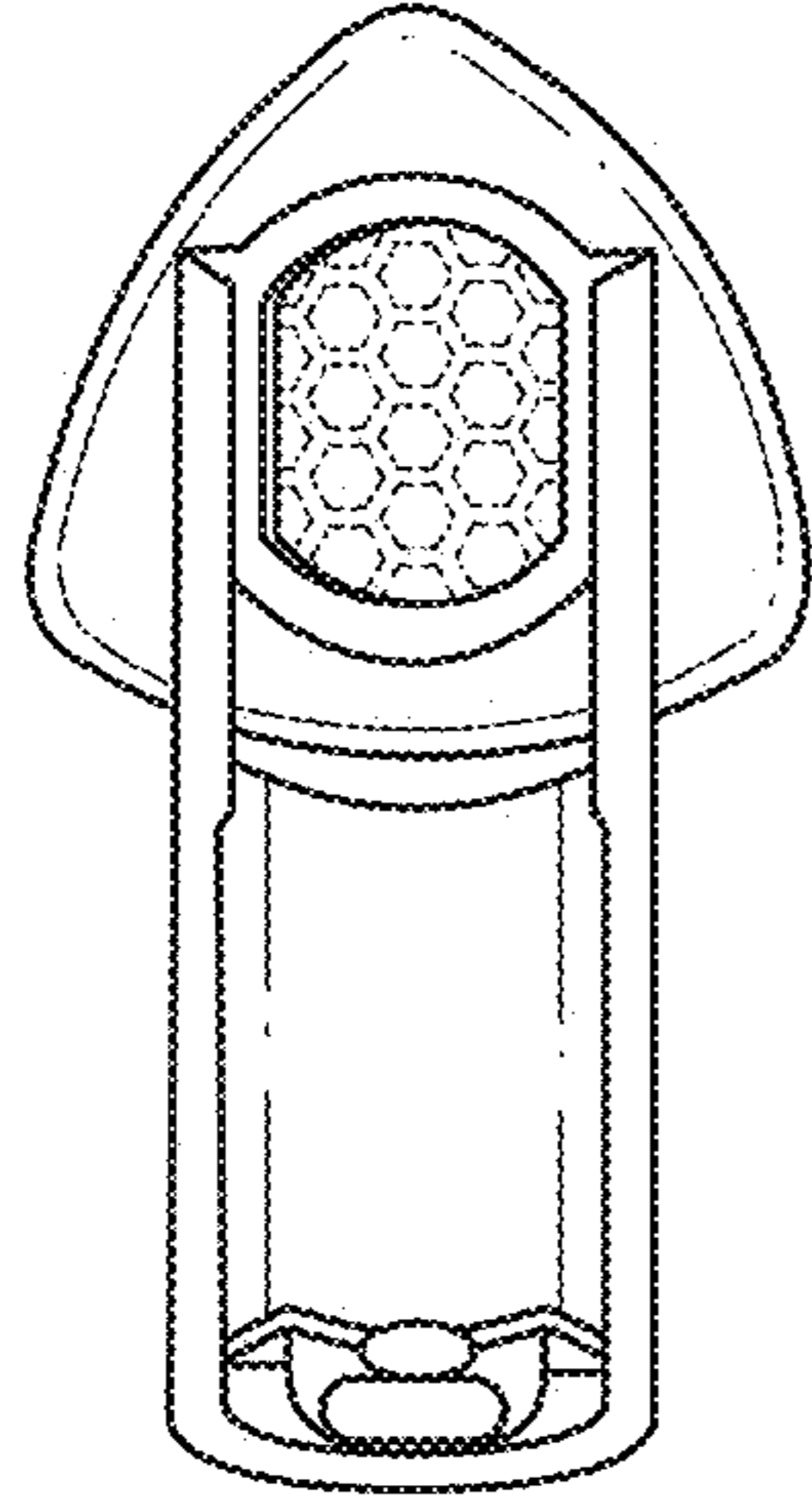


FIG. 24

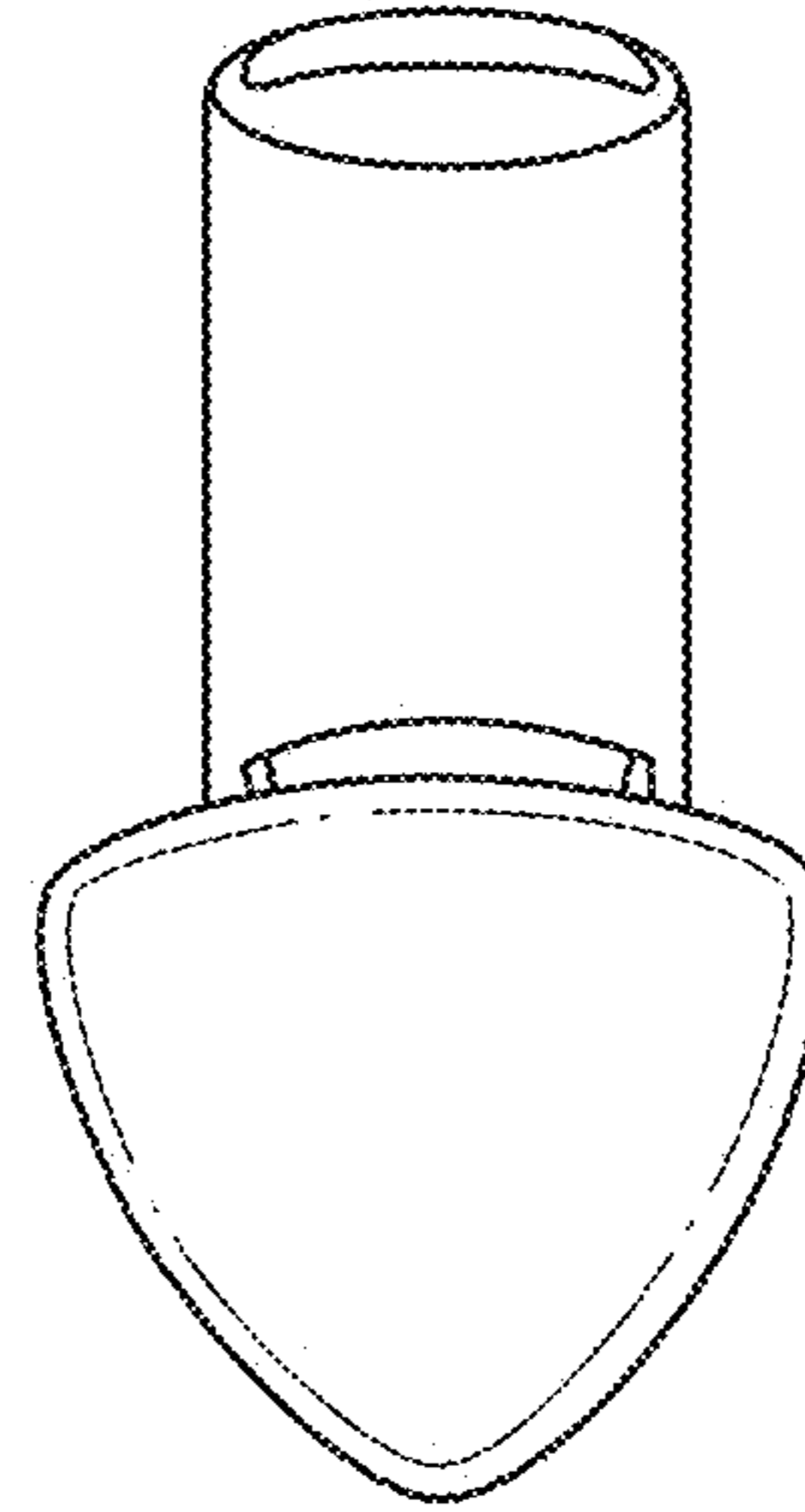


FIG. 25

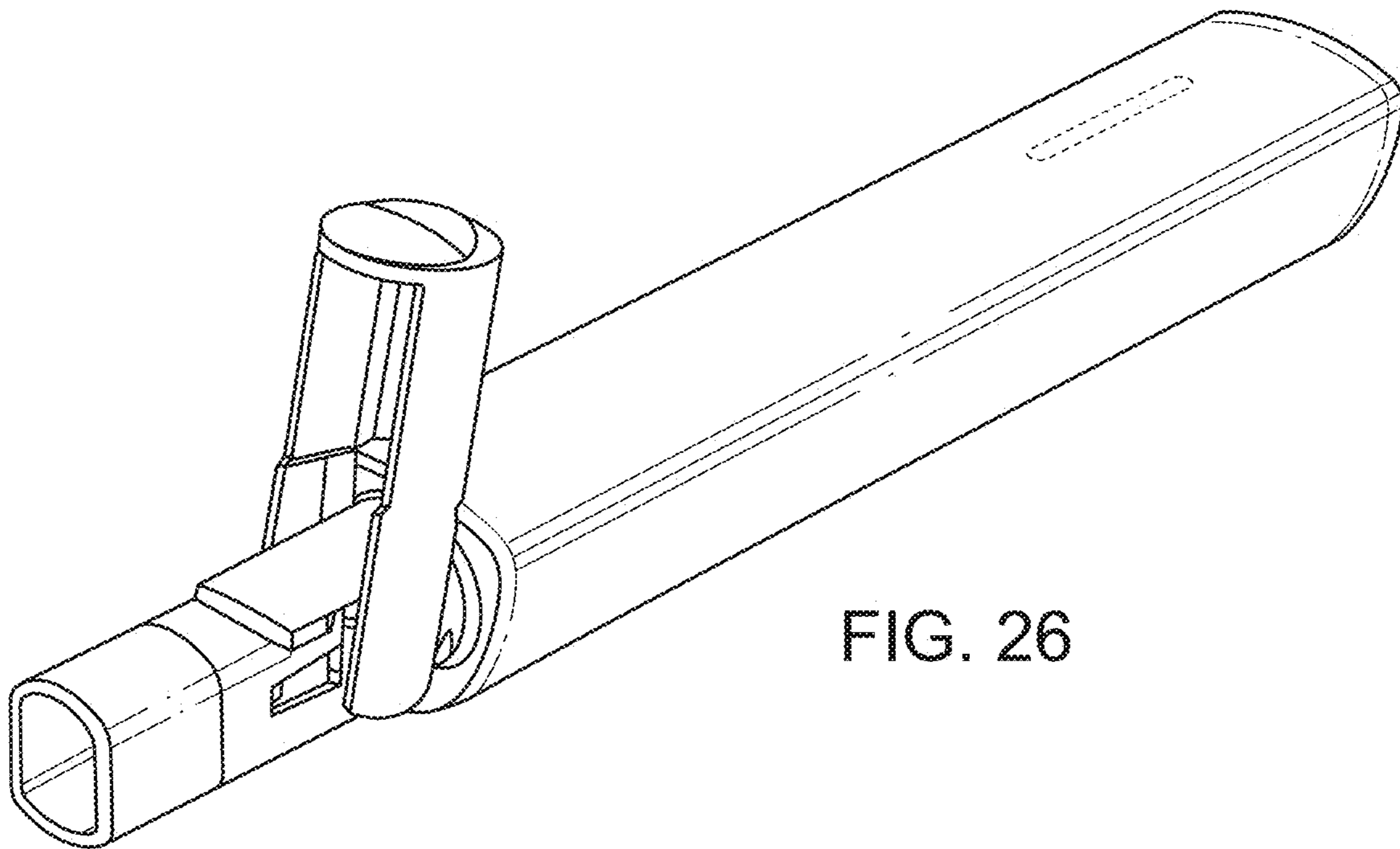


FIG. 26

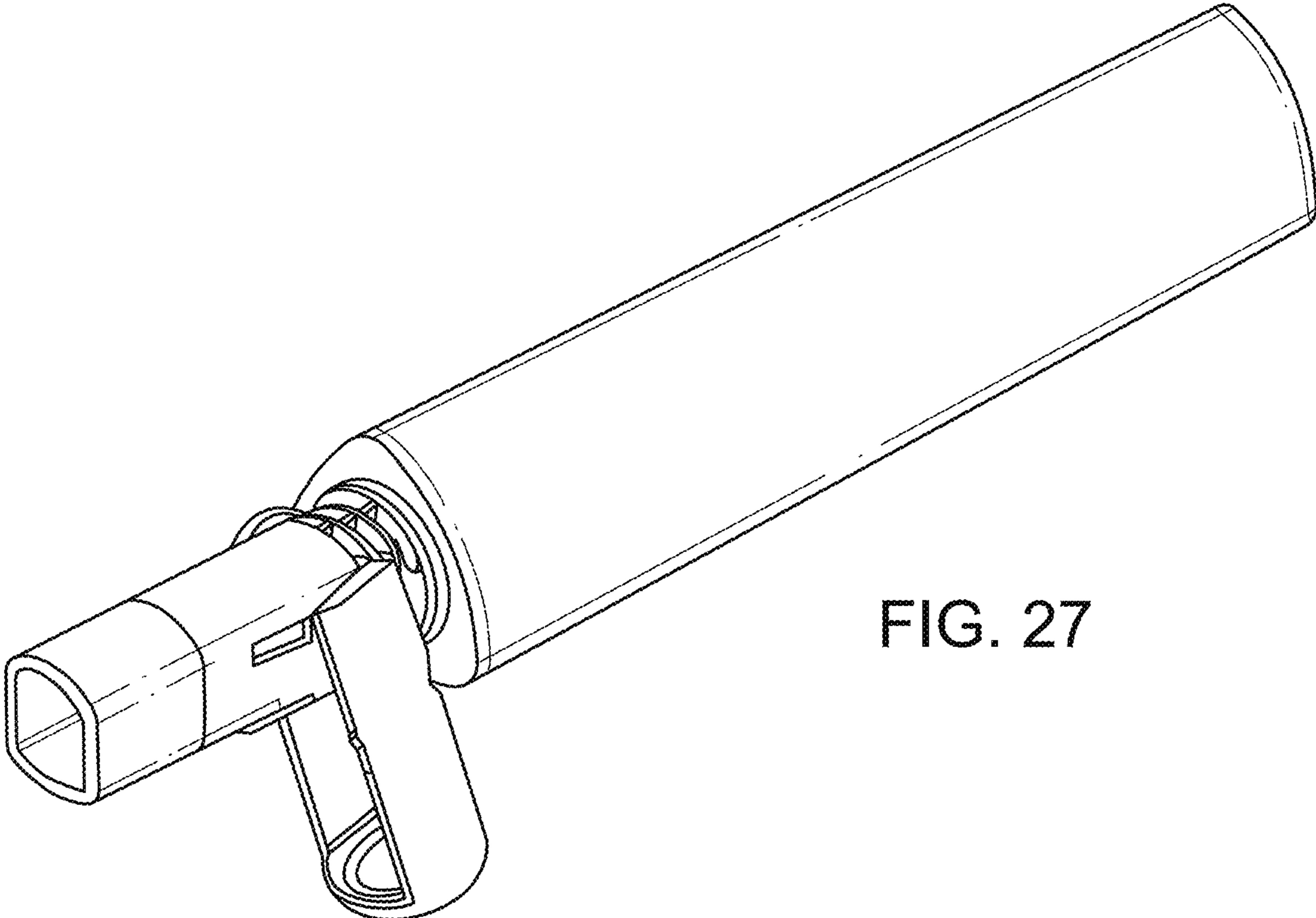


FIG. 27

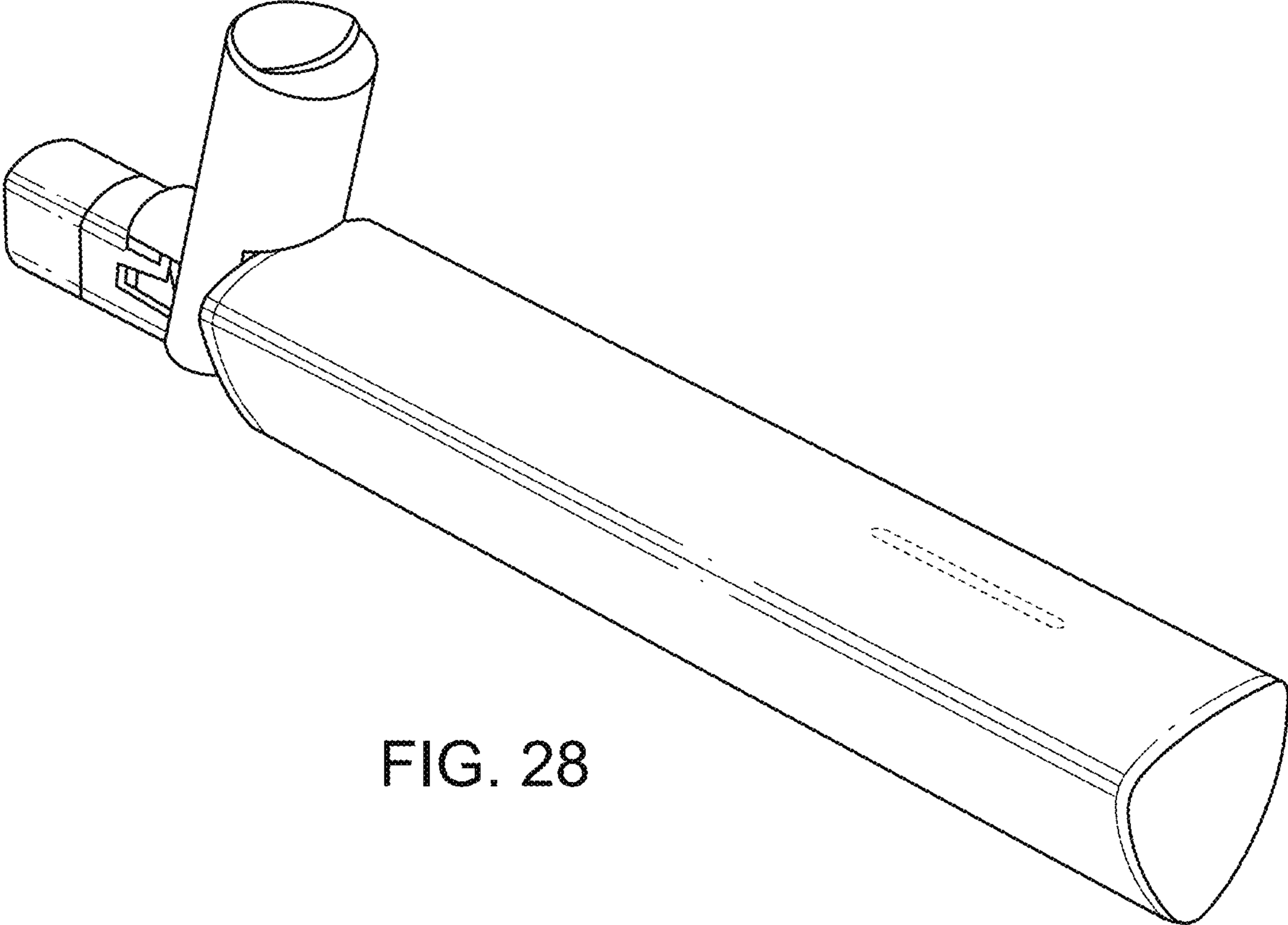


FIG. 28

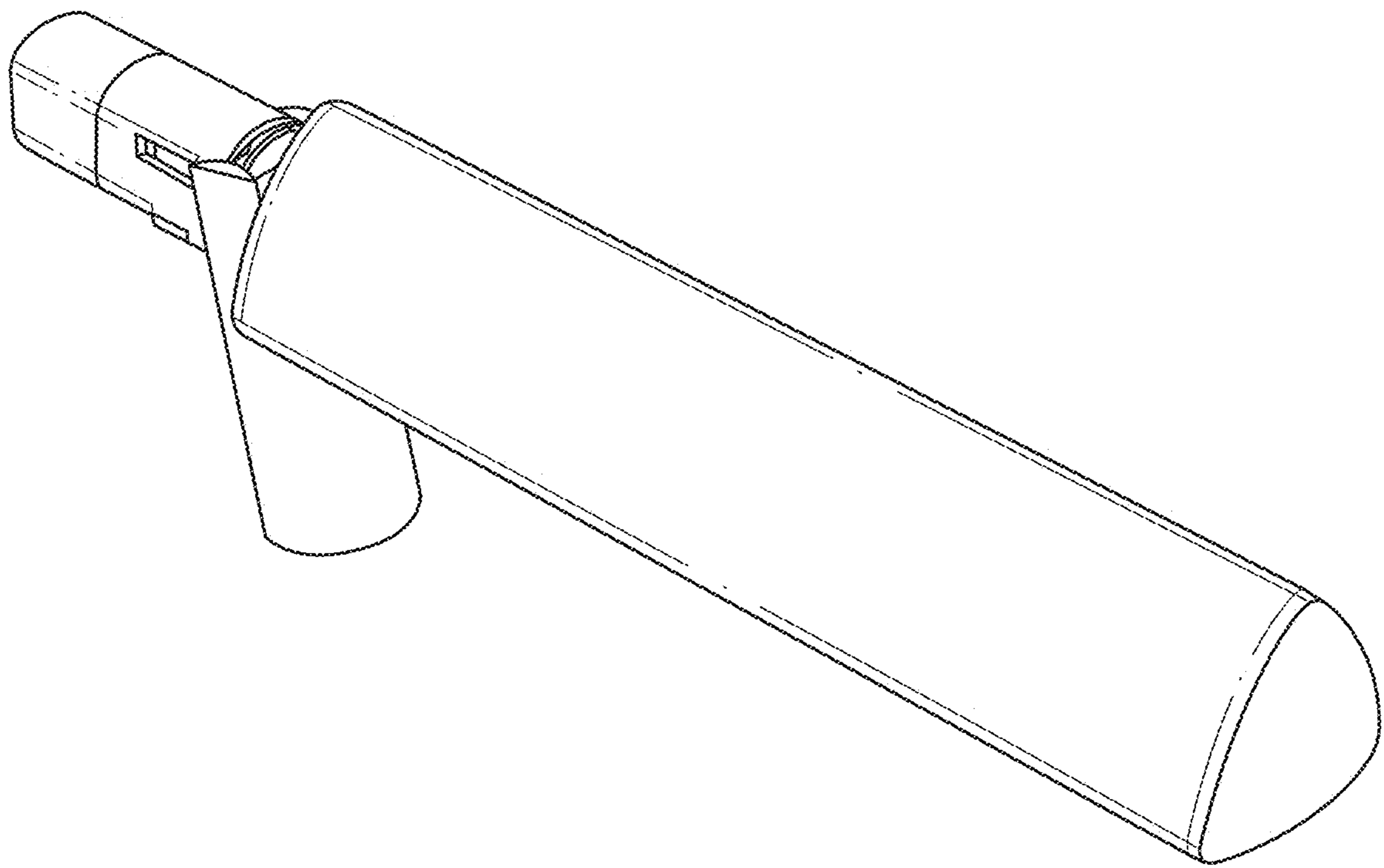


FIG. 29