



US00D891602S

(12) **United States Design Patent** (10) **Patent No.:** **US D891,602 S**  
**Wang** (45) **Date of Patent:** **\*\* Jul. 28, 2020**

(54) **FAN**  
(71) Applicant: **BEIJING XIAOMI MOBILE SOFTWARE CO., LTD.**, Beijing (CN)

(72) Inventor: **Yi Wang**, Beijing (CN)  
(73) Assignee: **Beijing Xiaomi Mobile Software Co., Ltd.**, Beijing (CN)

(\*\*) Term: **15 Years**

(21) Appl. No.: **35/507,321**

(22) Filed: **Aug. 24, 2018**

(80) **Hague Agreement Data**

Int. Filing Date: **Aug. 24, 2018**  
Int. Reg. No.: **DM/202434**  
Int. Reg. Date: **Aug. 24, 2018**  
Int. Reg. Pub. Date: **Aug. 30, 2019**

(30) **Foreign Application Priority Data**

Feb. 24, 2018 (CN) ..... 2018 3 0072524

(51) **LOC (12) Cl.** ..... **23-04**

(52) **U.S. Cl.**  
USPC ..... **D23/378**

(58) **Field of Classification Search**  
USPC ..... D23/336, 337, 342, 355, 356, 385, 386,  
D23/370-378

CPC ... F24F 11/30; F24F 11/62; F24F 7/04; F28D  
15/0233; F28D 15/0275  
See application file for complete search history.

(56) **References Cited**

**U.S. PATENT DOCUMENTS**

D414,858 S \* 10/1999 Litvin ..... D23/378  
D418,913 S \* 1/2000 Thakur ..... D23/378  
D424,681 S \* 5/2000 Lozzio ..... D23/378  
D452,733 S \* 1/2002 Thakur ..... D23/378

D511,570 S \* 11/2005 Ke ..... D23/378  
D520,132 S \* 5/2006 Jones ..... D23/378  
D676,124 S \* 2/2013 Almanza ..... D23/378  
D762,837 S \* 8/2016 Yeung ..... D23/378

(Continued)

*Primary Examiner* — Khawaja Anwar  
(74) *Attorney, Agent, or Firm* — Amster, Rothstein & Ebenstein LLP

(57) **CLAIM**

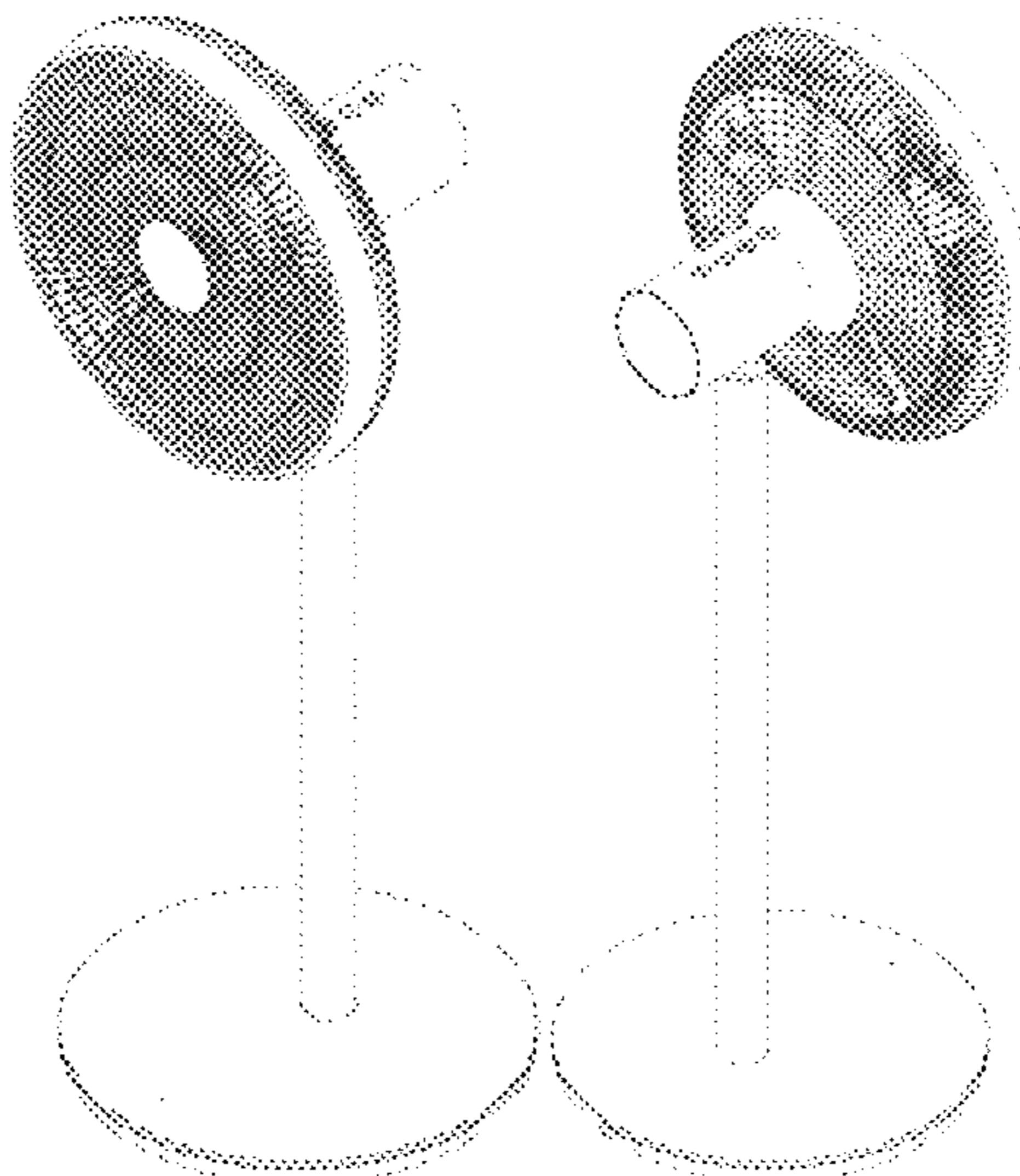
The ornamental design for a fan, as shown and described.

**DESCRIPTION**

- 1.-2. Fan
- 1.1 : Front
- 1.2 : Back
- 1.3 : Left
- 1.4 : Top
- 1.5 : Bottom
- 1.6 : Perspective
- 1.7 : Perspective
- 2.1 : Front
- 2.2 : Back
- 2.3 : Left
- 2.4 : Top
- 2.5 : Bottom
- 2.6 : Perspective
- 2.7 : Perspective

1.1 is a front elevation view of a first design of fan showing our new design; 1.2 is a rear elevation view thereof; 1.3 is a left side elevation view thereof; 1.4 is a top plan view thereof; 1.5 is a bottom plan view thereof; 1.6 is a perspective view thereof; 1.7 is a perspective view thereof; 2.1 is a front elevation view of a second design of fan showing our new design; 2.2 is a rear elevation view thereof; 2.3 is a left side elevation view thereof; 2.4 is a top plan view thereof; 2.5 is a bottom plan view thereof; 2.6 is a perspective view thereof; and 2.7 is a perspective view thereof; the present products are used for blowing air, heat radiating and ventilating.

**1 Claim, 14 Drawing Sheets**



(56)

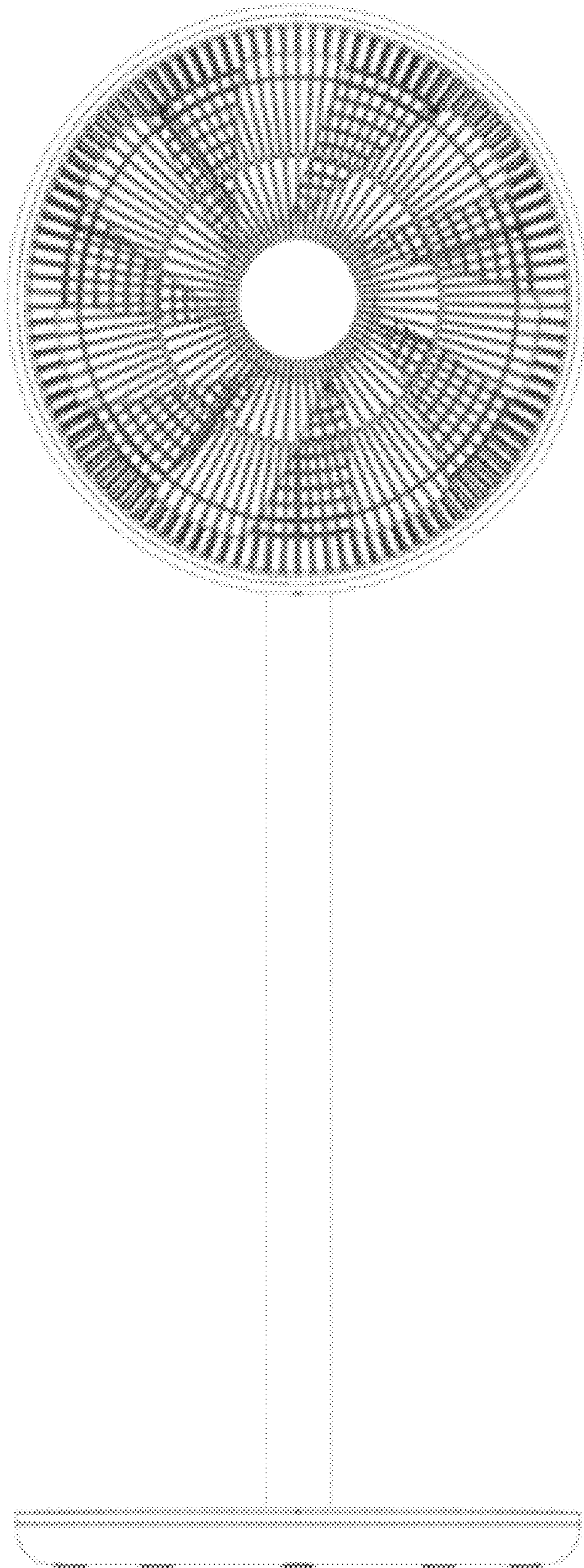
**References Cited**

U.S. PATENT DOCUMENTS

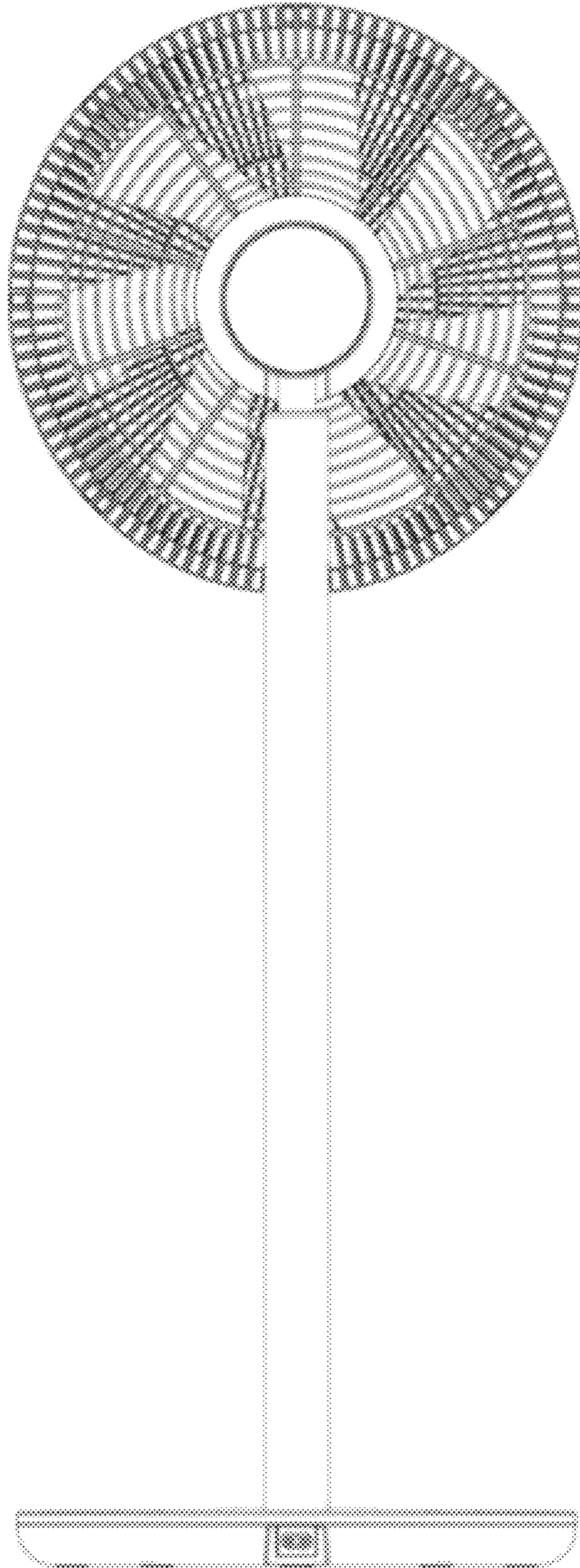
D804,642 S \* 12/2017 Wong ..... D23/378  
D827,121 S \* 8/2018 Wang ..... D23/378

\* cited by examiner

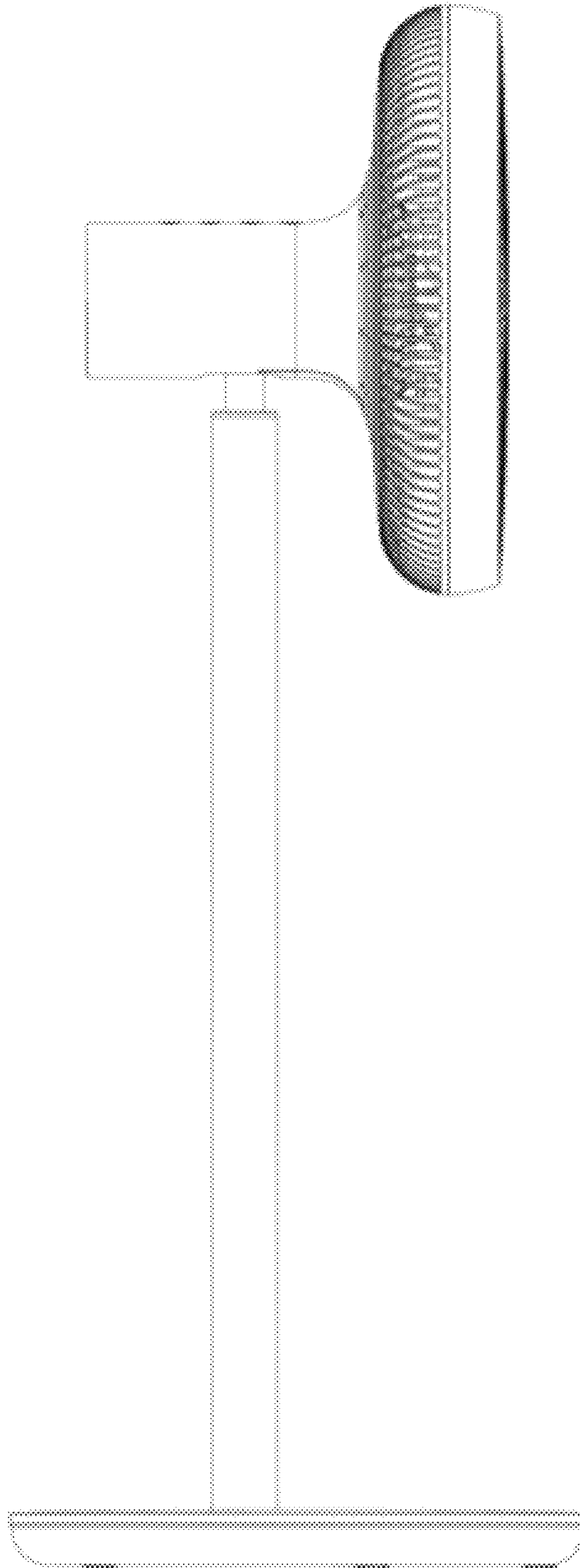
**1.1**



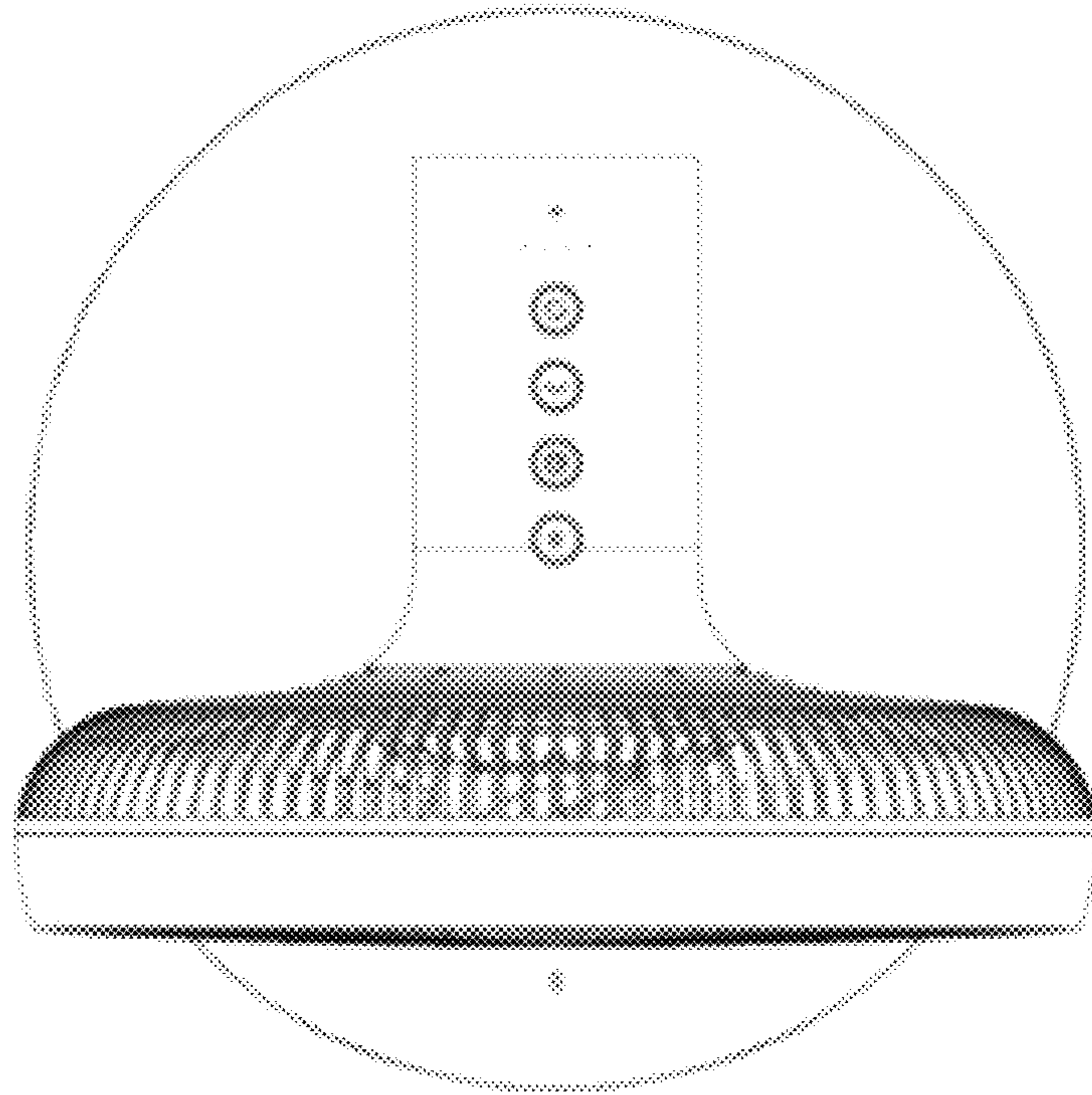
# 1.2



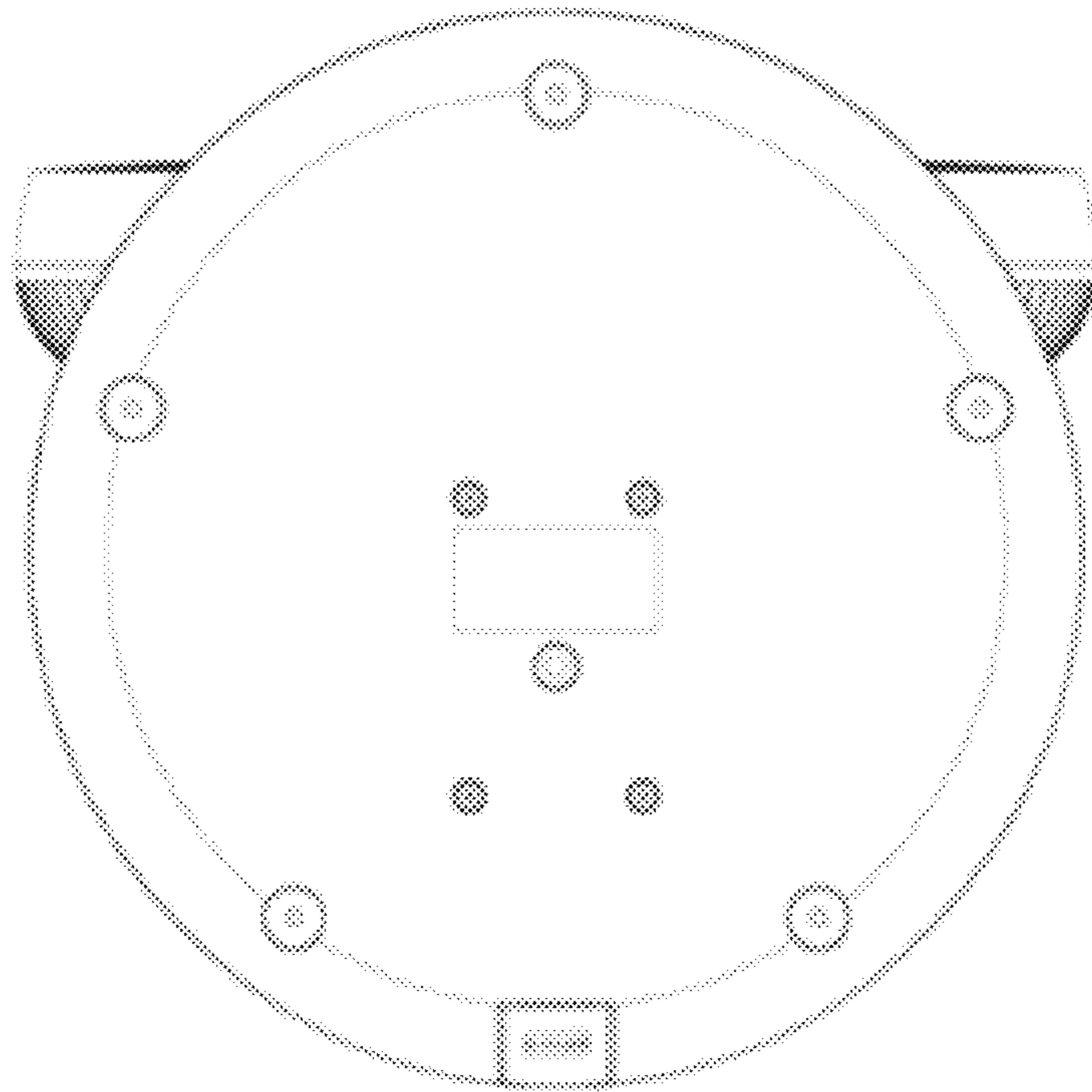
# 1.3



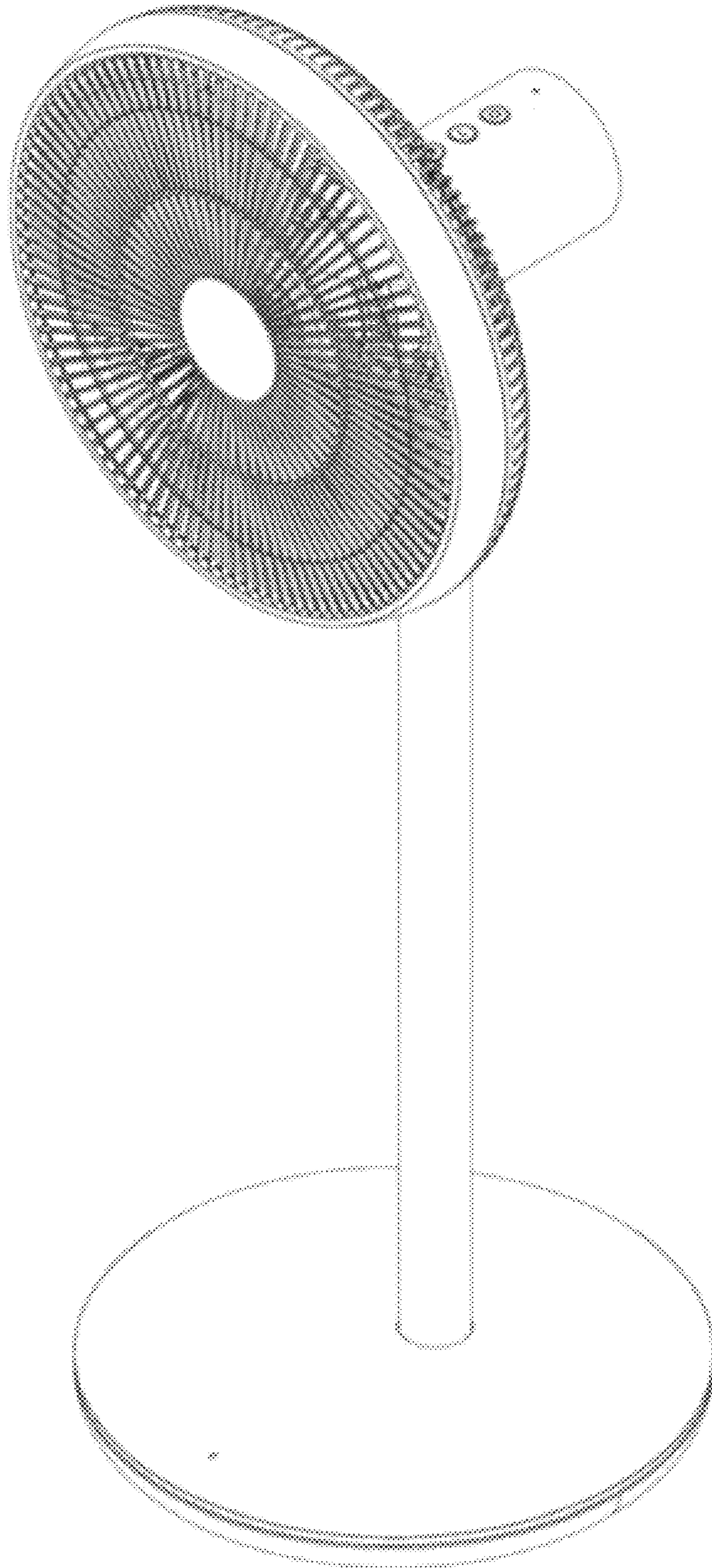
1.4



**1.5**

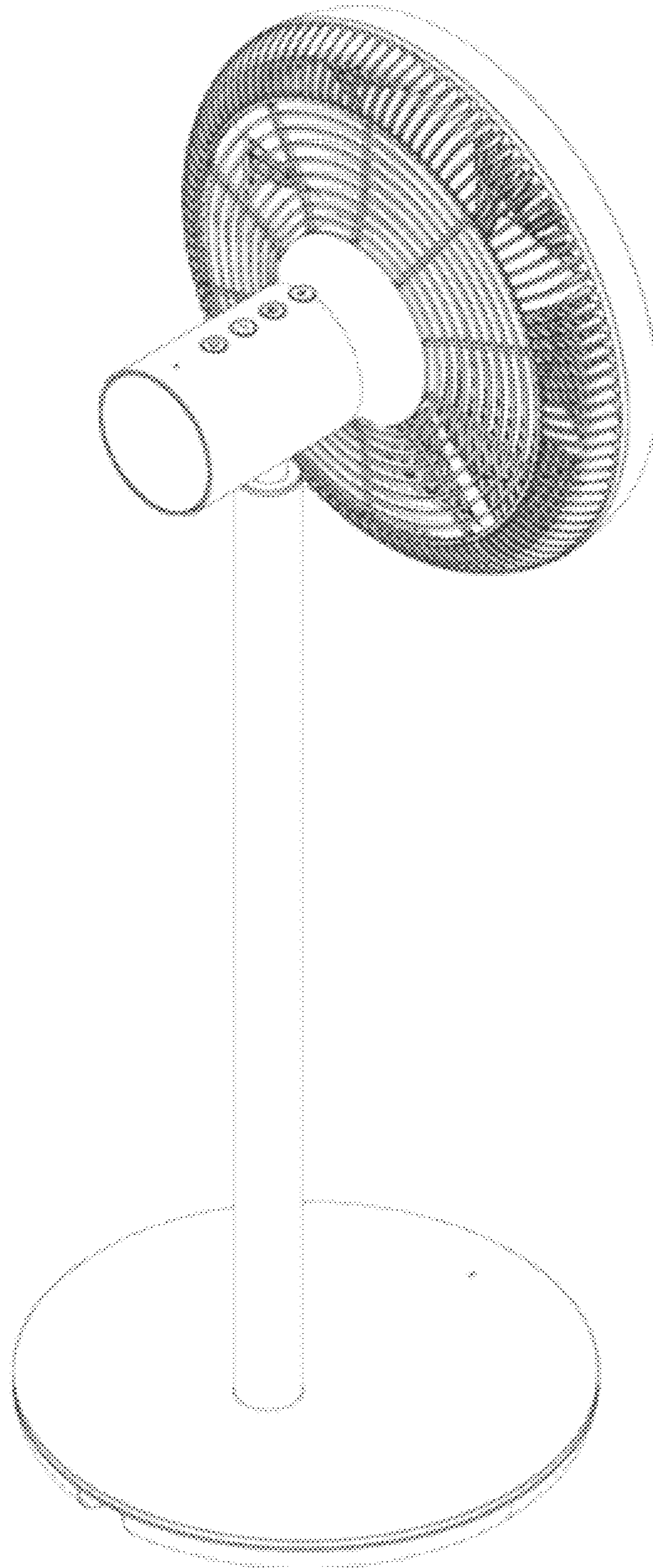


# 1.6

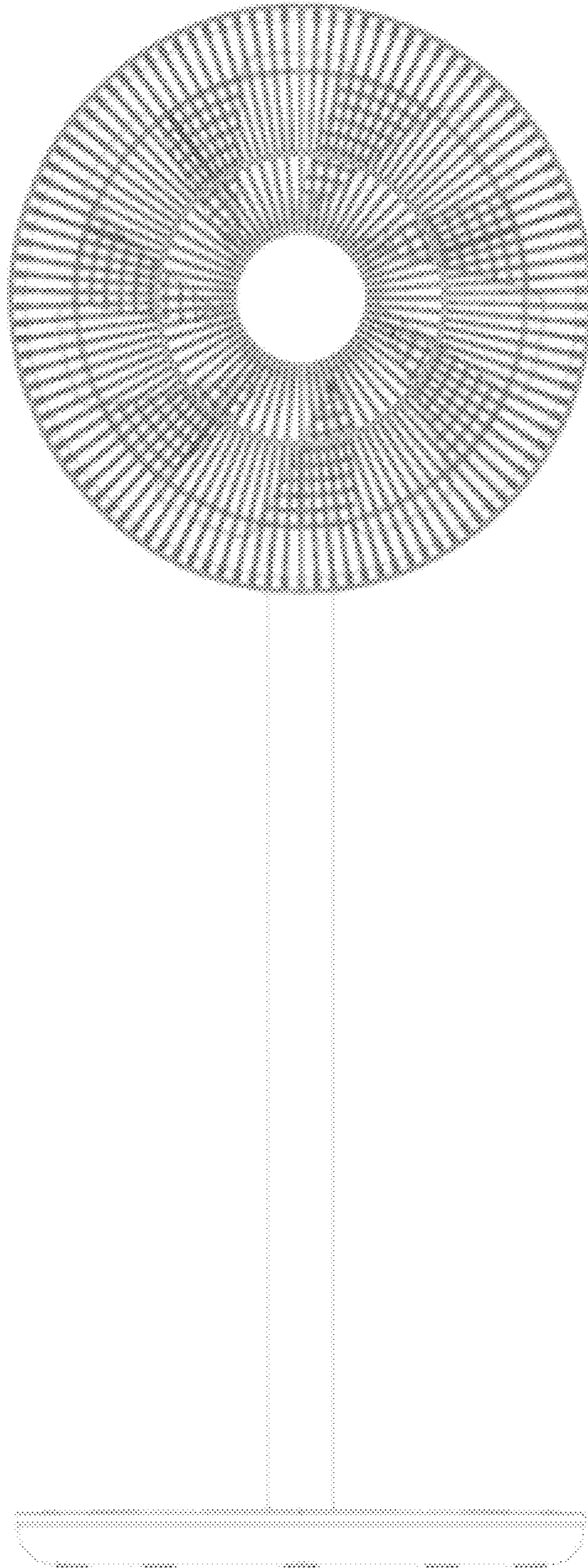




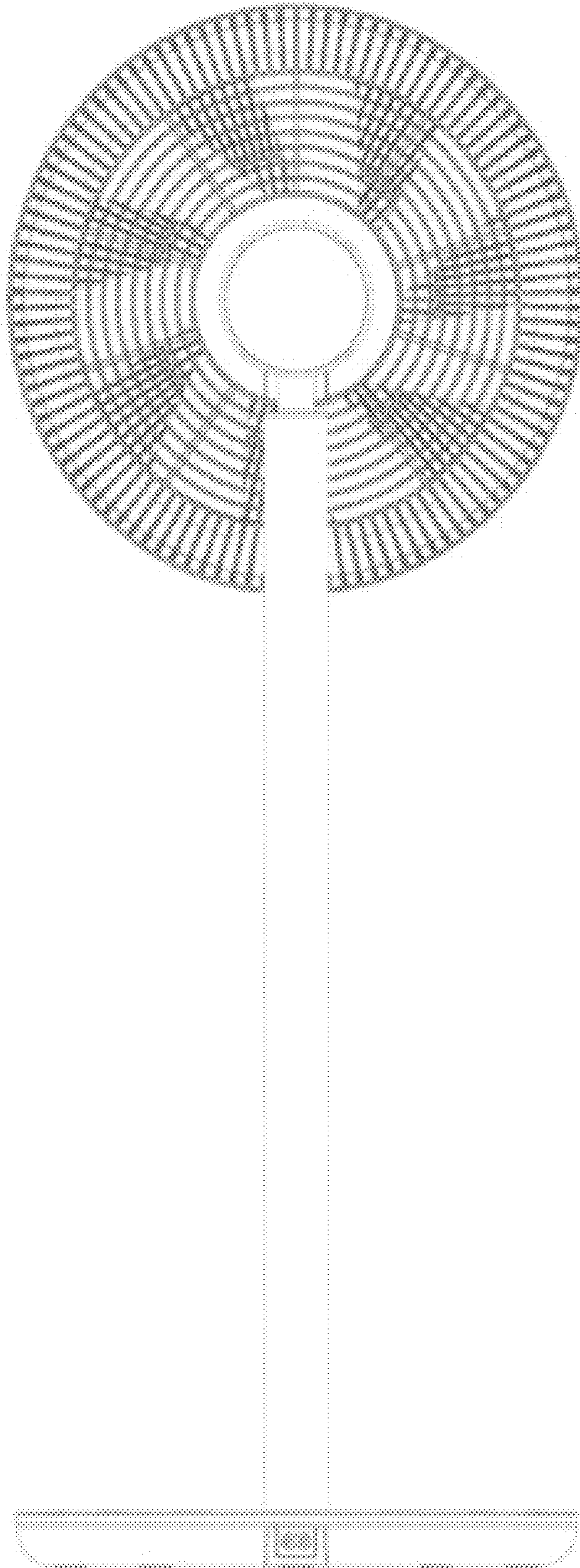
1.7



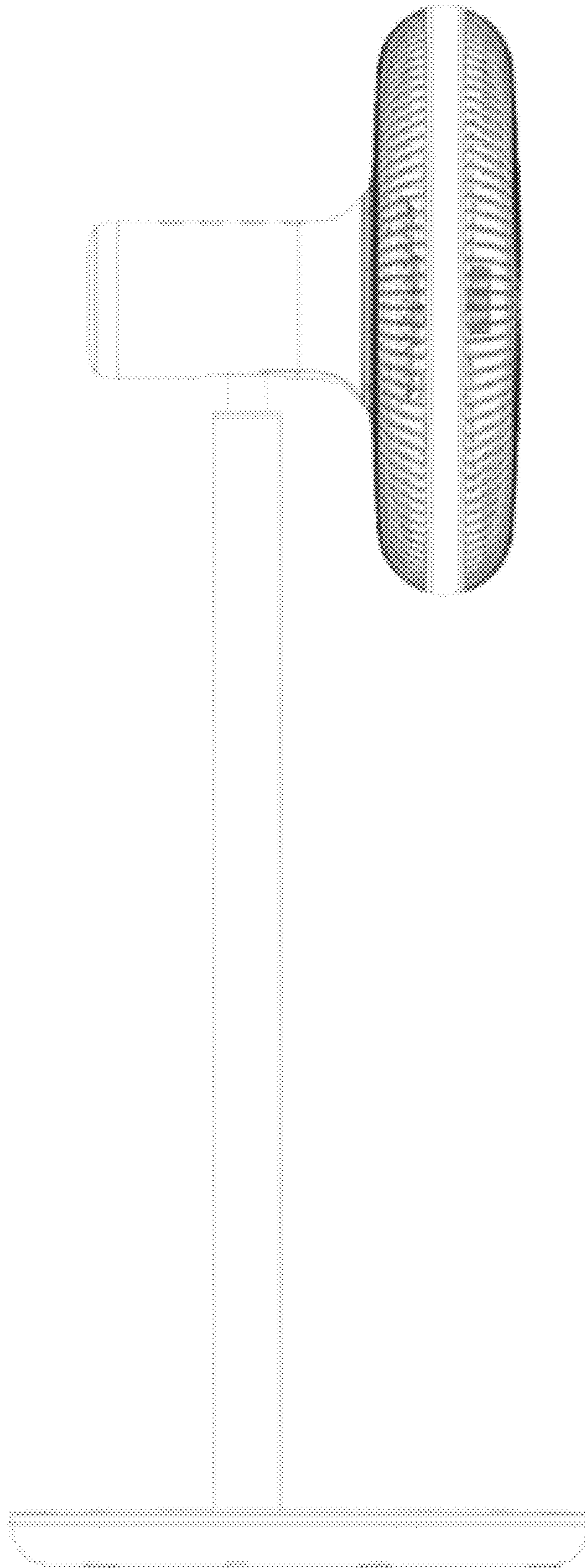
# 2.1



# 2.2



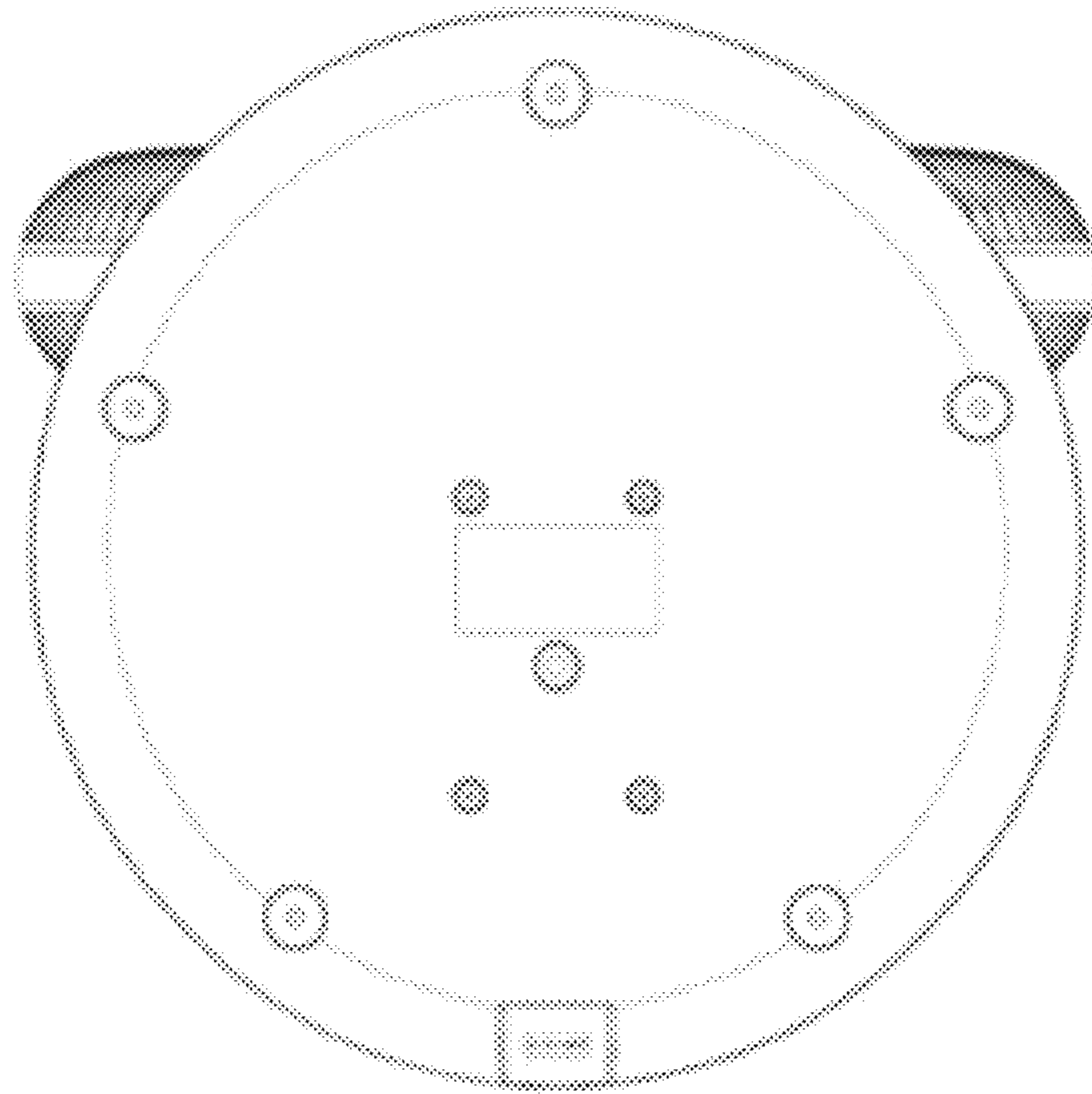
# 2.3



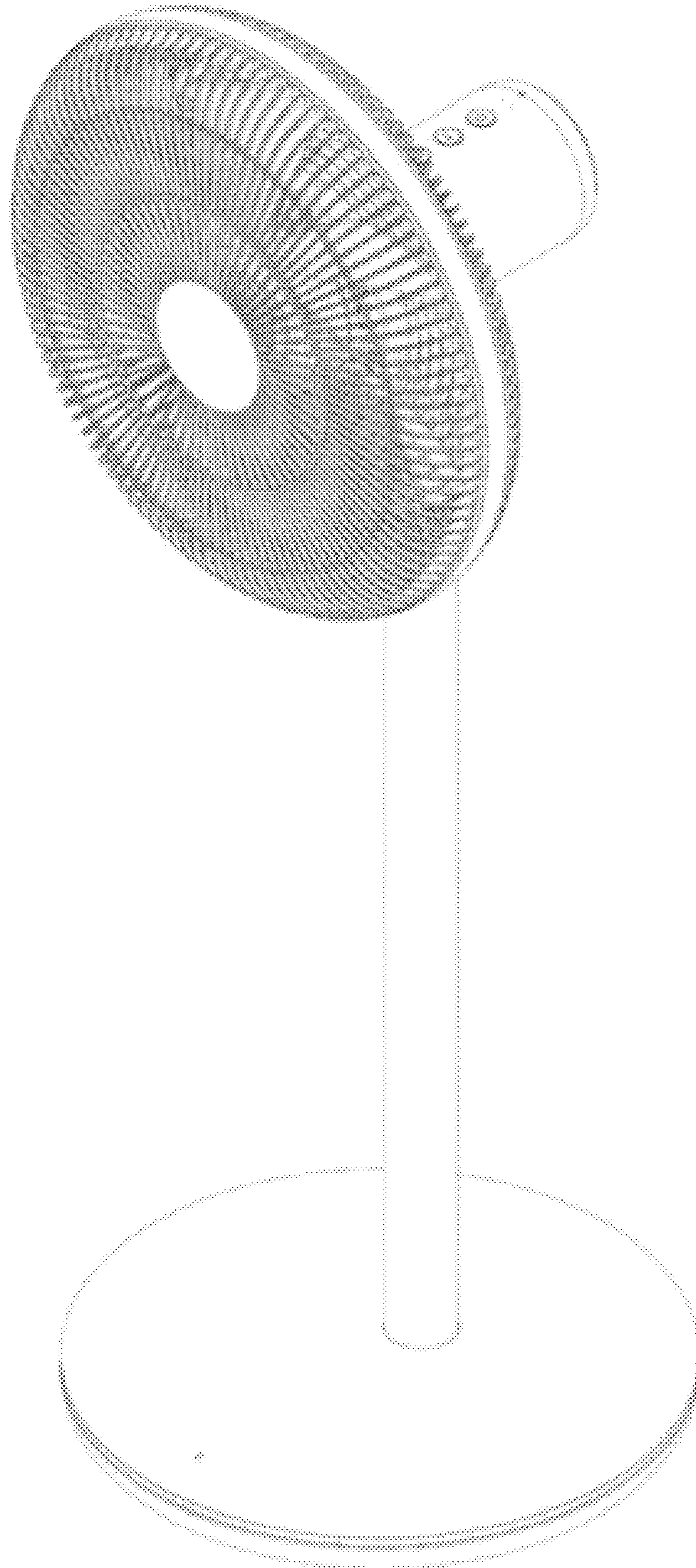
# 2.4



2.5



# 2.6



# 2.7

