



US00D891601S

(12) **United States Design Patent**  
**LaCroix**

(10) **Patent No.:** **US D891,601 S**  
(45) **Date of Patent:** **\*\* Jul. 28, 2020**

- (54) **FILTER FLANGE**
- (71) Applicant: **APEL International LLC**, Louisville, KY (US)
- (72) Inventor: **Paul E LaCroix**, Louisville, KY (US)
- (73) Assignee: **Apel International, Inc.**, Louisville, KY (US)
- (\*\*) Term: **15 Years**
- (21) Appl. No.: **29/646,428**
- (22) Filed: **May 4, 2018**
- (51) **LOC (12) Cl.** ..... **23-04**
- (52) **U.S. Cl.**  
USPC ..... **D23/365**
- (58) **Field of Classification Search**  
USPC ..... D23/209, 235, 341, 358, 363-365;  
D15/5  
CPC ..... F02M 35/04; F02M 35/10; F02M 35/024;  
B01D 46/0002; B01D 46/10  
See application file for complete search history.

7,186,333 B2 \* 3/2007 Kluge ..... E03F 1/00  
210/164  
D545,955 S \* 7/2007 Arias ..... D23/365  
8,673,037 B2 \* 3/2014 Morgan ..... B01D 46/0005  
55/341.1  
D751,686 S \* 3/2016 Harris ..... D23/386  
D770,026 S 10/2016 Morgan

\* cited by examiner

*Primary Examiner* — Lakiya G Rogers  
*Assistant Examiner* — John A Voytek  
 (74) *Attorney, Agent, or Firm* — Theresa Camoriano;  
 Guillermo Camoriano; Duncan Galloway Egan Greenwald  
 PLLC

(57) **CLAIM**

The ornamental design for a filter flange, as shown and described.

**DESCRIPTION**

FIG. 1 is a front perspective view showing my design;  
 FIG. 2 is a top plan view thereof;  
 FIG. 3 is a front view thereof, which is the same as the rear view thereof;  
 FIG. 4 is a right side view thereof, which is the same as the left side view thereof; and,  
 FIG. 5 is a bottom view thereof.  
 The portion of the filter flange illustrated in broken lines in FIGS. 1, 3, 4 and 5 shows environmental subject matter, which forms no part of the claimed design,

**1 Claim, 5 Drawing Sheets**

(56) **References Cited**

U.S. PATENT DOCUMENTS

- 4,725,292 A \* 2/1988 Williams ..... B01D 33/073  
55/290
- 4,900,342 A \* 2/1990 Spengler ..... B01D 46/10  
415/119
- 5,972,059 A \* 10/1999 Morgan ..... B01D 46/002  
55/336

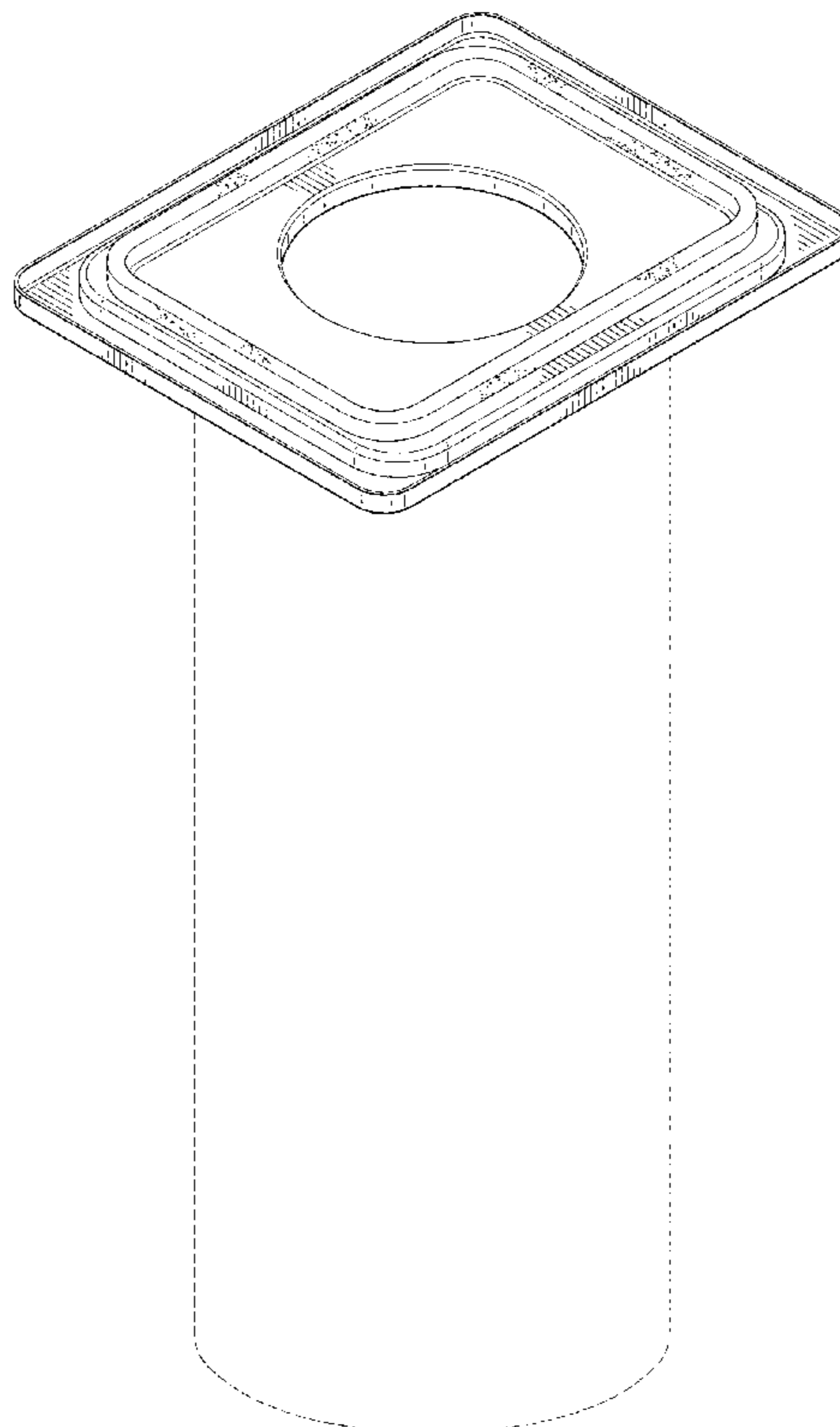
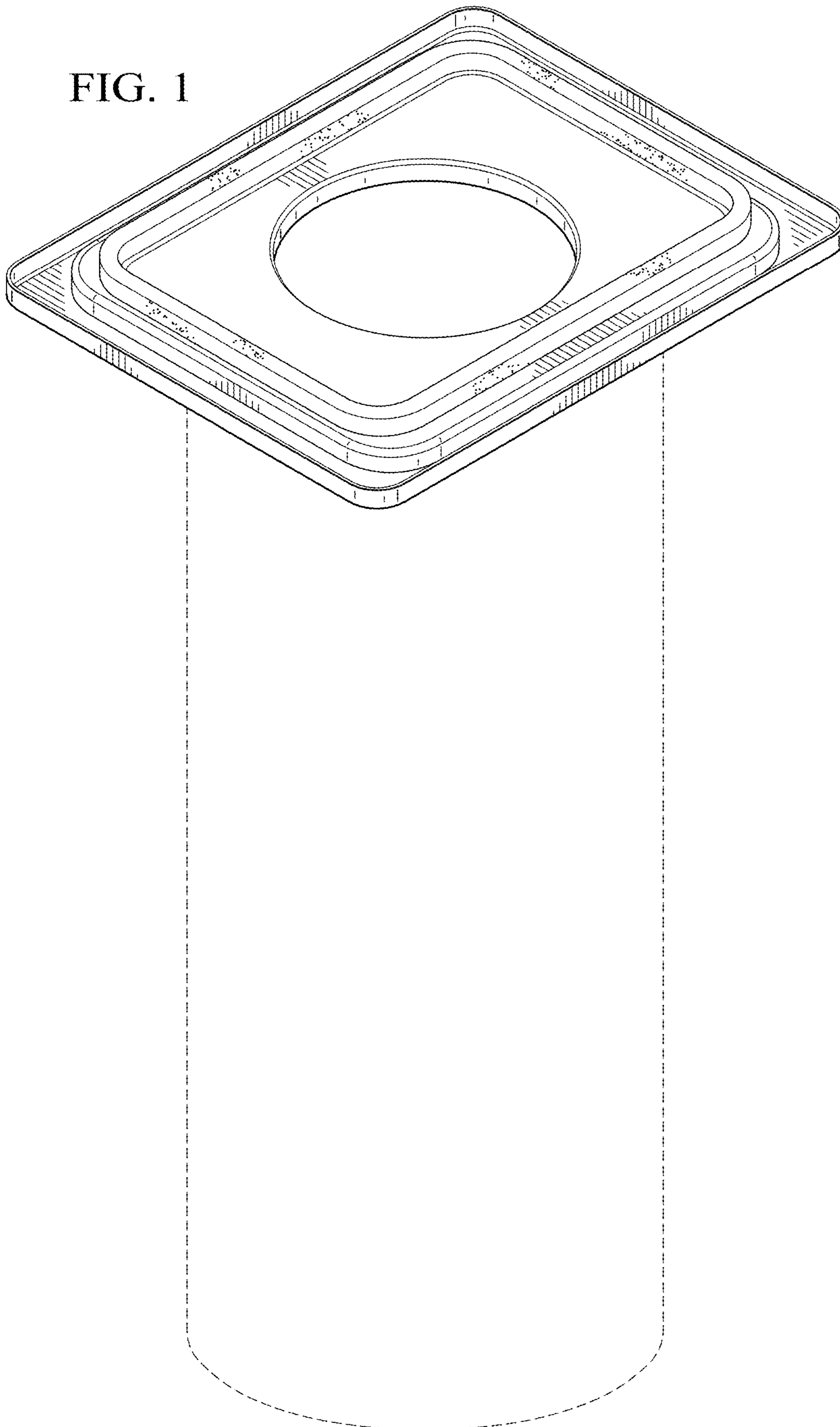


FIG. 1



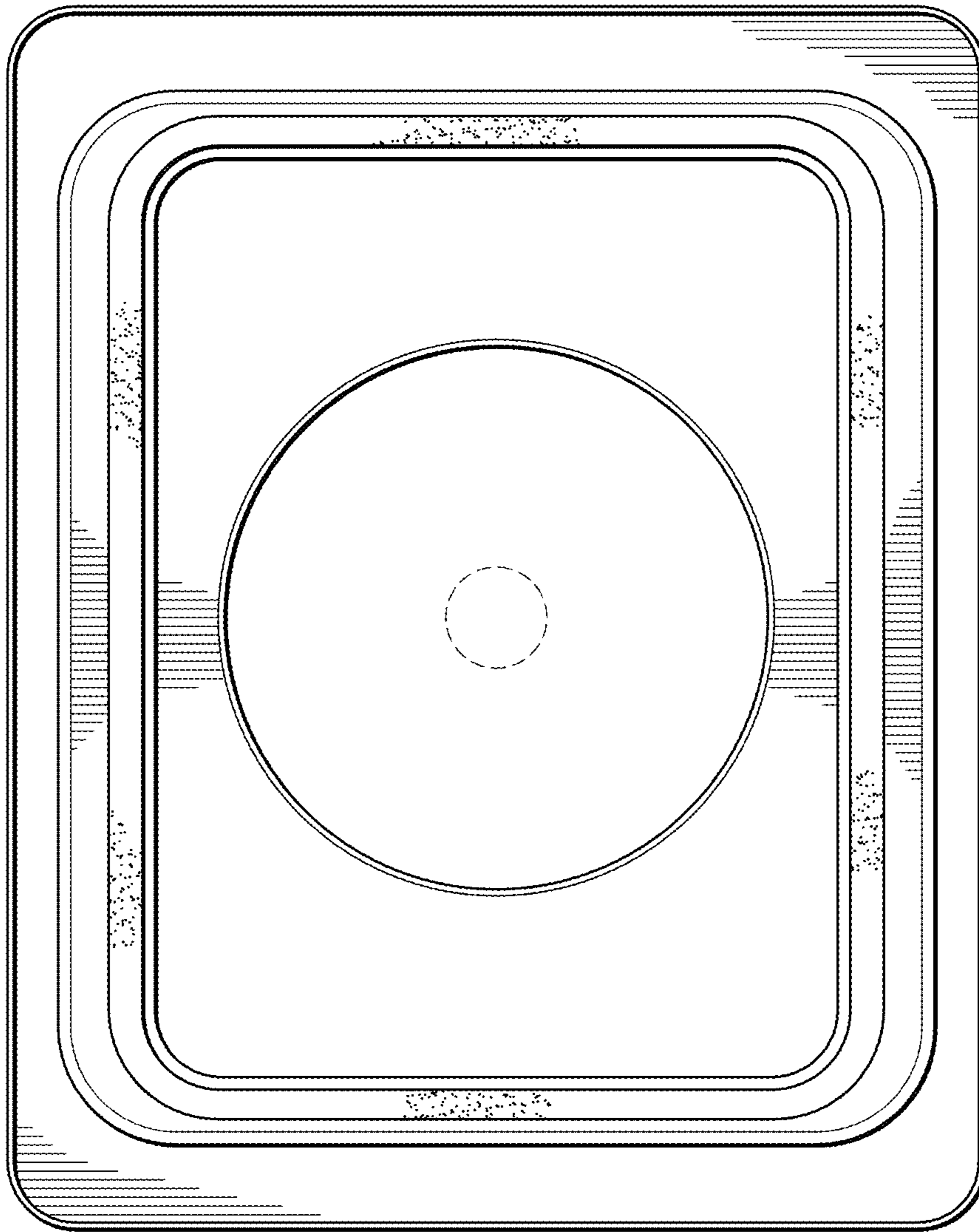


FIG. 2

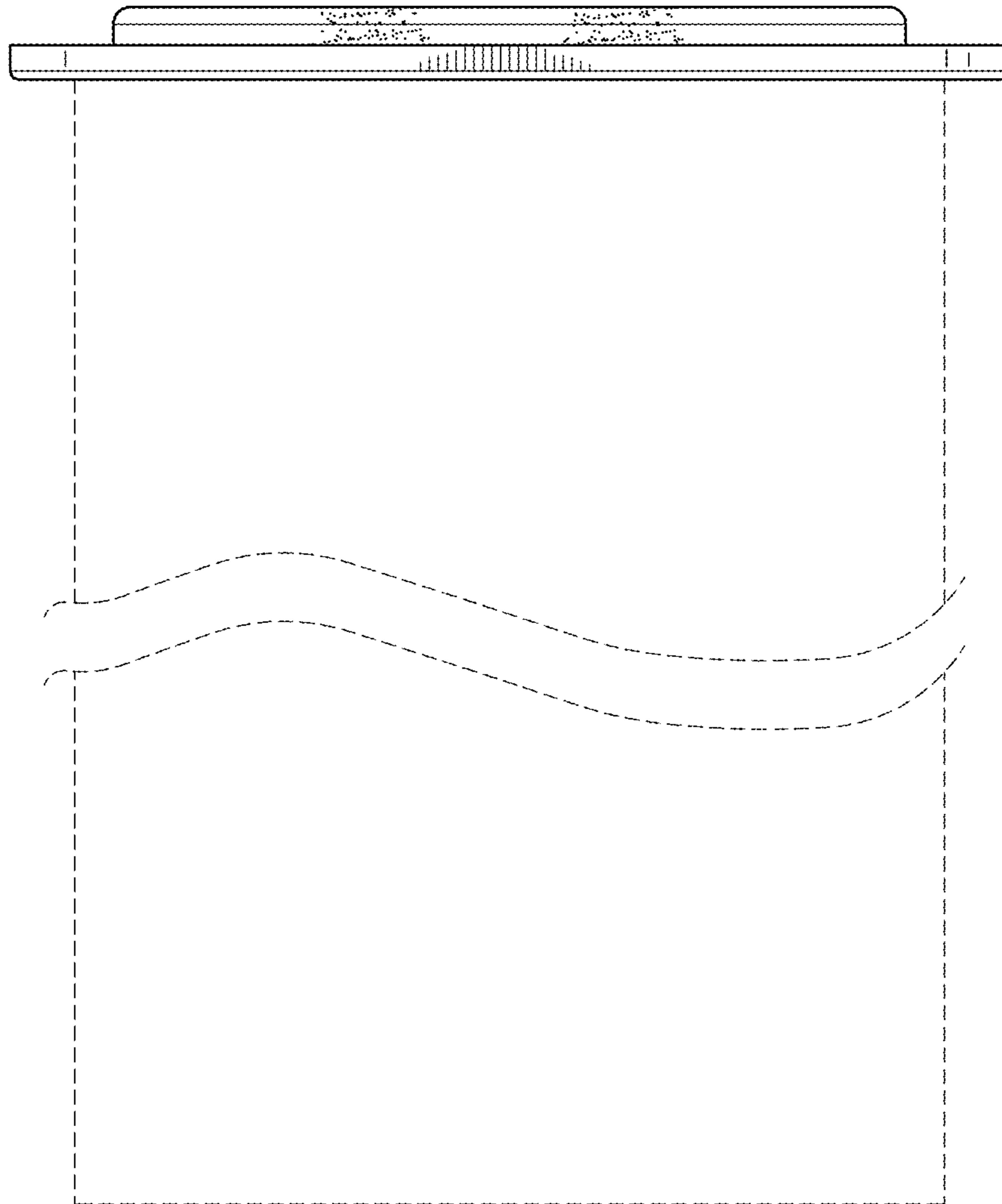


FIG. 3

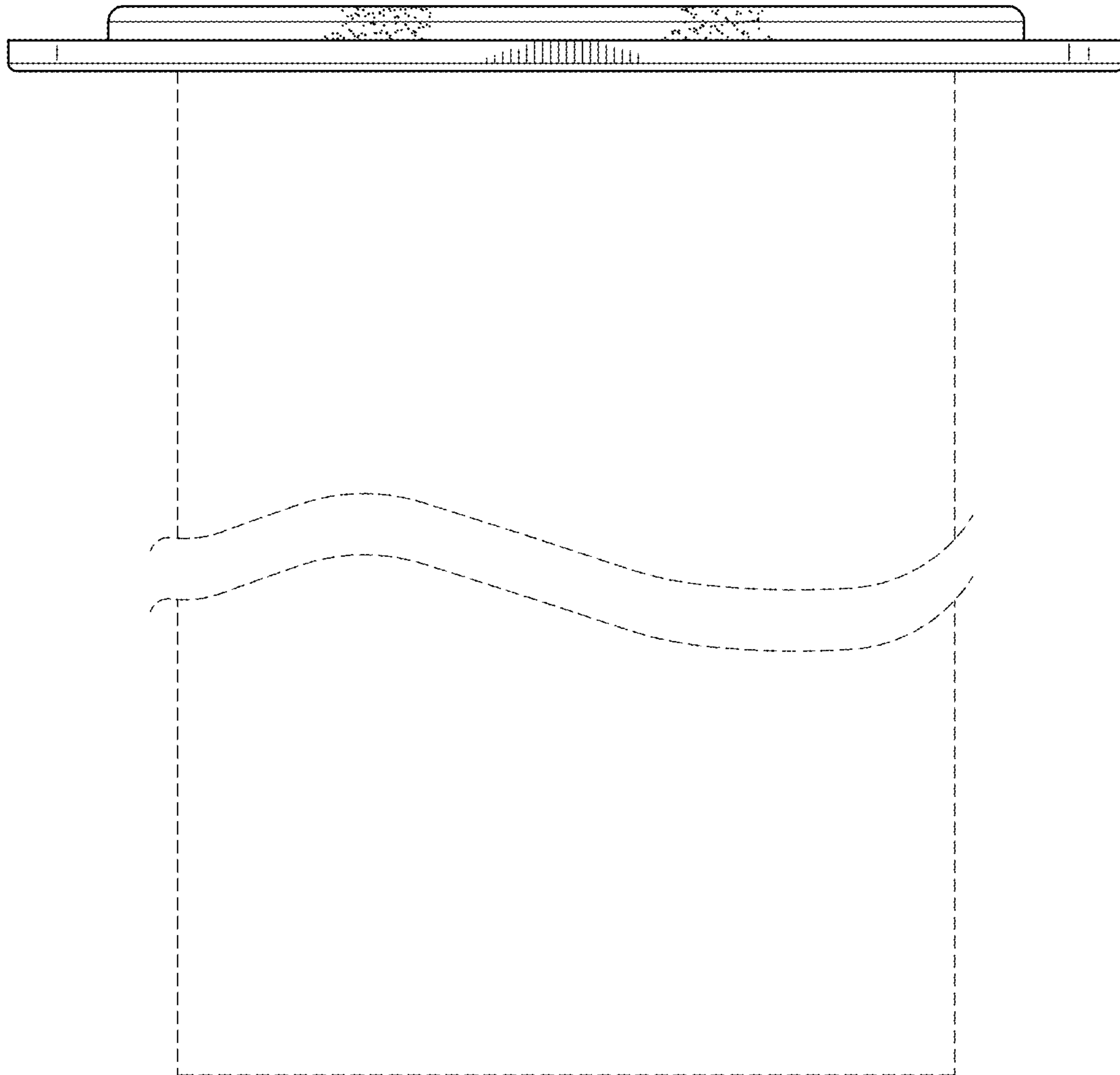


FIG. 4

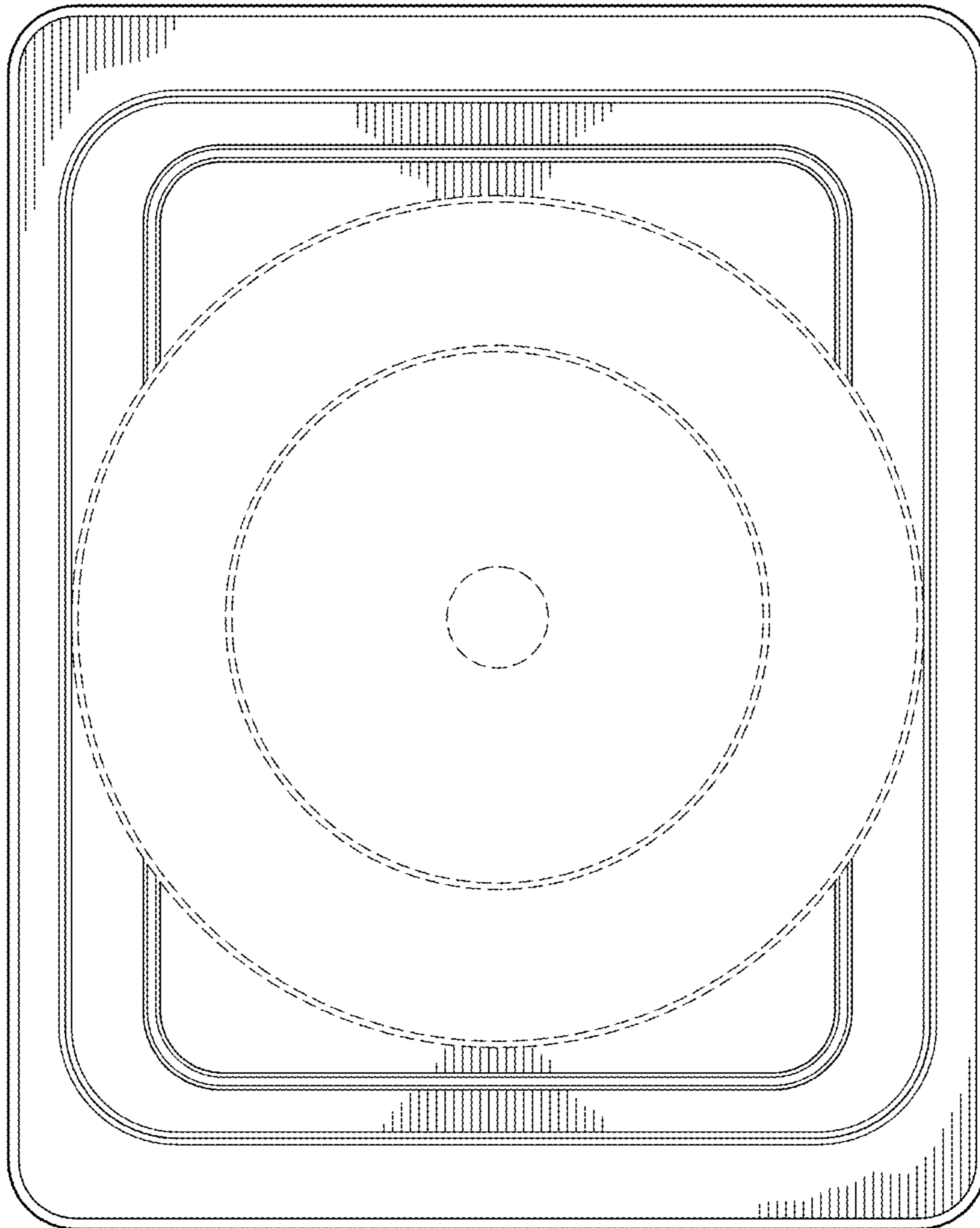


FIG. 5