



US00D891597S

(12) **United States Design Patent**  
**Carling et al.**

(10) **Patent No.:** **US D891,597 S**  
(45) **Date of Patent:** **\*\* Jul. 28, 2020**

(54) **AIR PURIFIER**

(71) Applicant: **Dyson Technology Limited**, Wiltshire (GB)

(72) Inventors: **Joseph Robert Carling**, Swindon (GB); **Neil Andrew Stewart**, Swindon (GB); **James Dyson**, Bristol (GB); **Alexander Stuart Knox**, Swindon (GB)

(73) Assignee: **Dyson Technology Limited**, Malmesbury, Wiltshire (GB)

(\*\*) Term: **15 Years**

(21) Appl. No.: **29/680,325**

(22) Filed: **Feb. 14, 2019**

(30) **Foreign Application Priority Data**

Aug. 16, 2018 (EM) ..... 005609344-0002

(51) **LOC (12) Cl.** ..... **23-04**

(52) **U.S. Cl.**  
USPC ..... **D23/364**

(58) **Field of Classification Search**  
USPC ..... D23/355-366, 352, 369, 332, 333, 335, D23/336, 342, 351; 422/120, 122; 55/356, 473, 504; 96/97; D14/188, 170, D14/172; 261/DIG. 17, DIG. 65, 261/DIG. 88, DIG. 31; D18/34.6  
CPC .. A61L 9/16; A61L 9/22; B01D 47/00; B01D 47/027; B01D 2221/02; B01D 2259/4508; B03C 3/155; B03C 3/368; F24F 3/16; F24F 13/20; F24F 13/28; F24F 3/1405; F24F 3/1603; F24F 13/222

See application file for complete search history.

(56) **References Cited**

**U.S. PATENT DOCUMENTS**

2,642,310 A \* 6/1953 Meek ..... A61L 9/12 239/35  
D185,143 S \* 5/1959 Flury ..... D23/362

D221,657 S \* 8/1971 Katzman ..... D23/362  
D235,547 S \* 6/1975 Schimanski ..... D23/364  
D257,788 S \* 1/1981 Suhajda ..... D23/366  
D289,919 S \* 5/1987 O'Neil, Jr. .... D23/366  
D289,920 S \* 5/1987 O'Neil, Jr. .... D23/366  
D332,987 S \* 2/1993 Der-Jinn ..... D22/120  
D350,192 S \* 8/1994 Patel ..... D23/366  
5,601,636 A \* 2/1997 Glucksman ..... F24F 3/1603 96/63  
D439,962 S \* 4/2001 Gieseke ..... D23/365  
D455,484 S \* 4/2002 Hensel ..... D23/366  
6,889,964 B2 \* 5/2005 Way ..... B01F 3/0412 261/122.1

(Continued)

**OTHER PUBLICATIONS**

dyson.com, pure cool me, Mar. 19, 2019, <https://www.dyson.com/purifiers/dyson-pure-cool-me-overview.html> (Year: 2019).\*

*Primary Examiner* — Nathan M Johnston

(74) *Attorney, Agent, or Firm* — Morrison & Foerster LLP

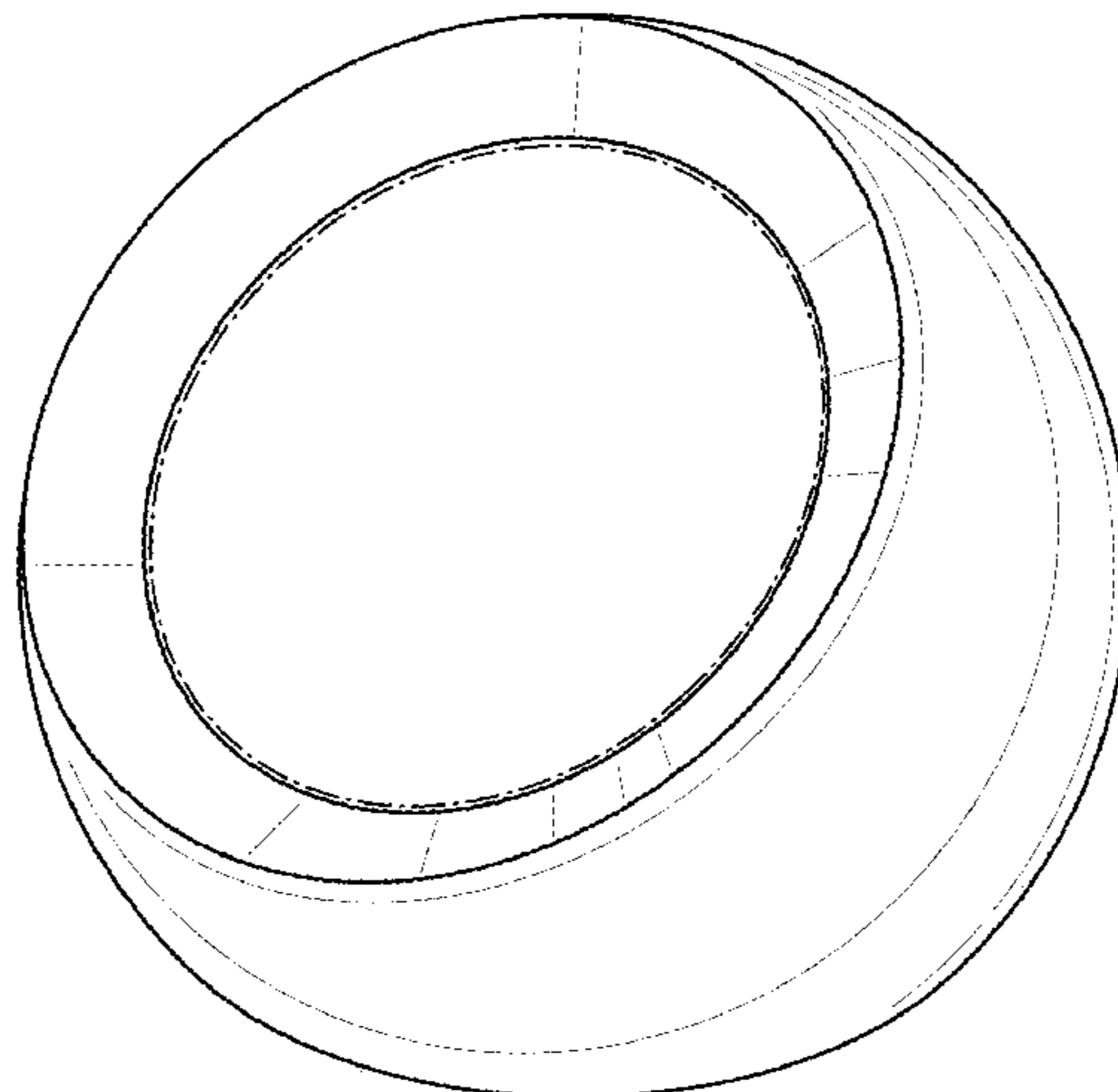
(57) **CLAIM**

We claim the ornamental design for an air purifier, as shown and described.

**DESCRIPTION**

FIG. 1 is a front perspective view of an air purifier showing our new design;  
FIG. 2 is a front view thereof;  
FIG. 3 is a rear view thereof;  
FIG. 4 is a side view thereof;  
FIG. 5 is a side view of the opposite side of FIG. 4; and,  
FIG. 6 is a top view thereof.  
The dash-dot lines shown in the drawings represent the bounds of the claimed design.

**1 Claim, 6 Drawing Sheets**



(56)

**References Cited**

U.S. PATENT DOCUMENTS

7,025,798 B2 \* 4/2006 Endo ..... B01D 46/0023  
55/385.1  
D545,953 S \* 7/2007 Chien ..... D23/342  
D613,388 S \* 4/2010 Koenig ..... D23/366  
D640,358 S \* 6/2011 Irvin ..... D23/366  
8,196,903 B2 \* 6/2012 Jorgensen ..... A61L 9/14  
239/102.1  
D740,249 S \* 10/2015 Park ..... D14/188  
D807,483 S \* 1/2018 Combs ..... D23/364  
D828,529 S \* 9/2018 Hu ..... D23/364  
D854,135 S \* 7/2019 Partrat ..... D23/364  
D861,845 S \* 10/2019 Chen ..... D23/364  
2016/0114069 A1 \* 4/2016 Huynh ..... A61L 9/037  
261/142  
2016/0375168 A1 \* 12/2016 Hsiao ..... A61L 9/03  
392/390  
2017/0319734 A1 \* 11/2017 Deflorian ..... A61L 9/12

\* cited by examiner

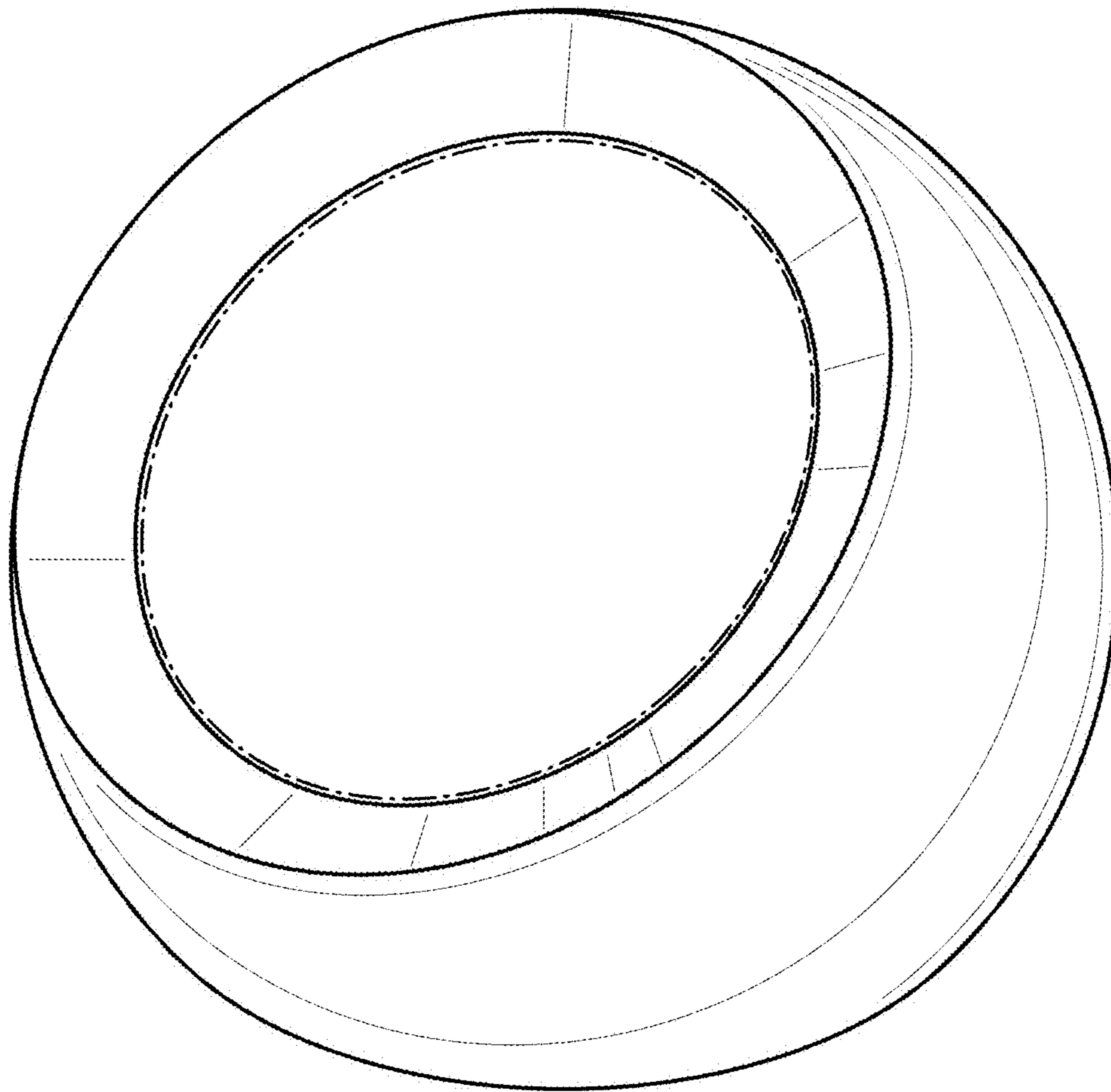


FIG. 1

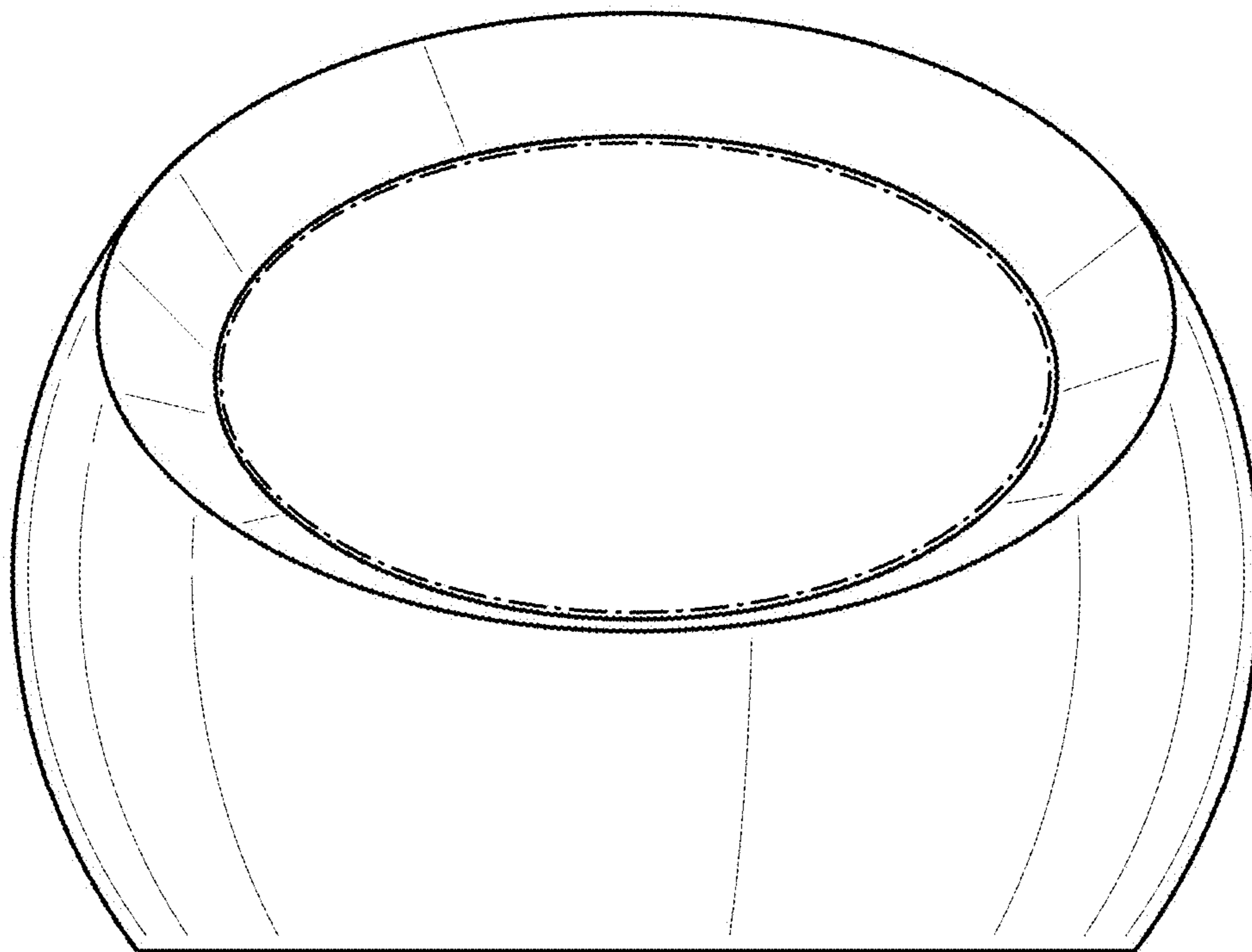


FIG. 2

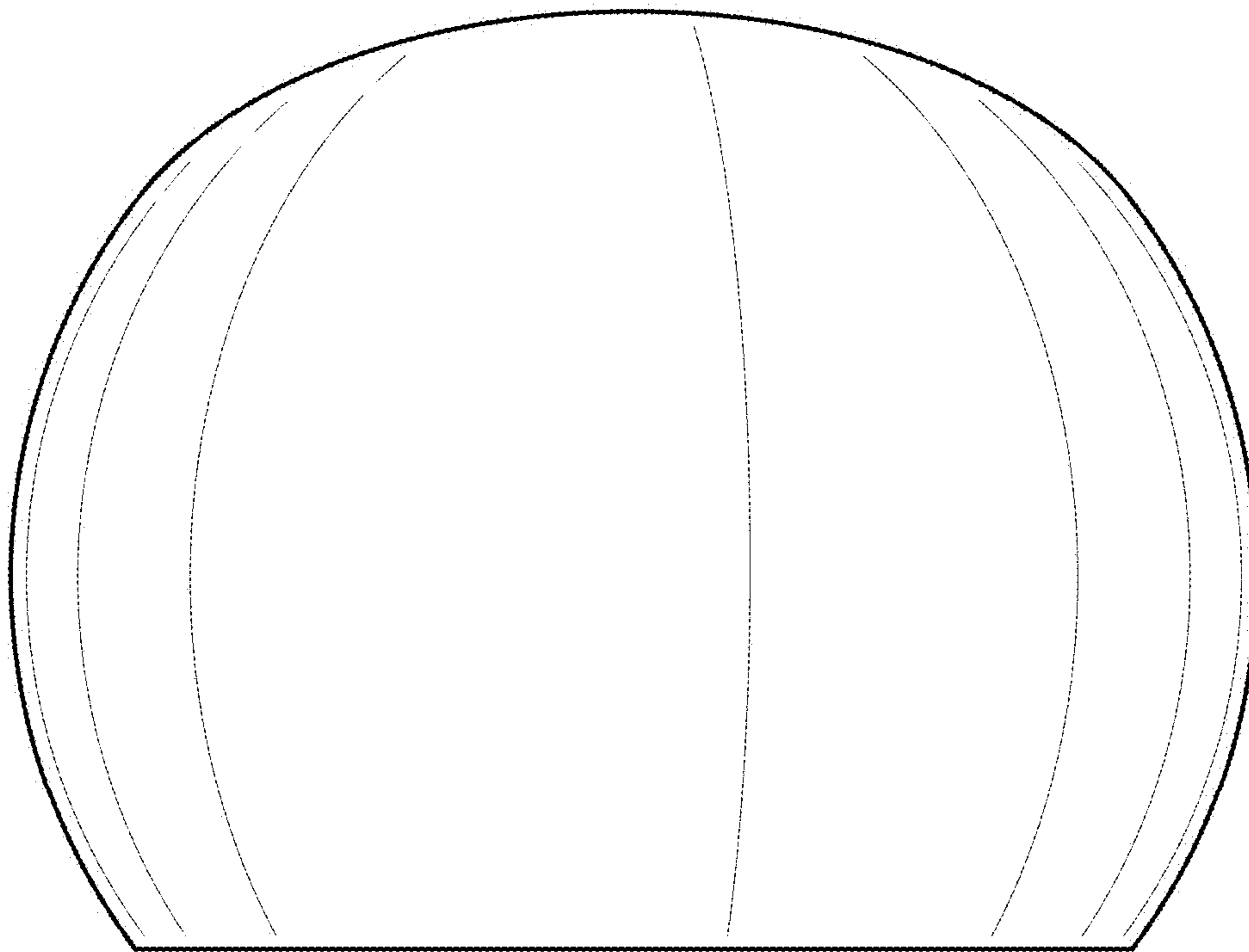


FIG. 3

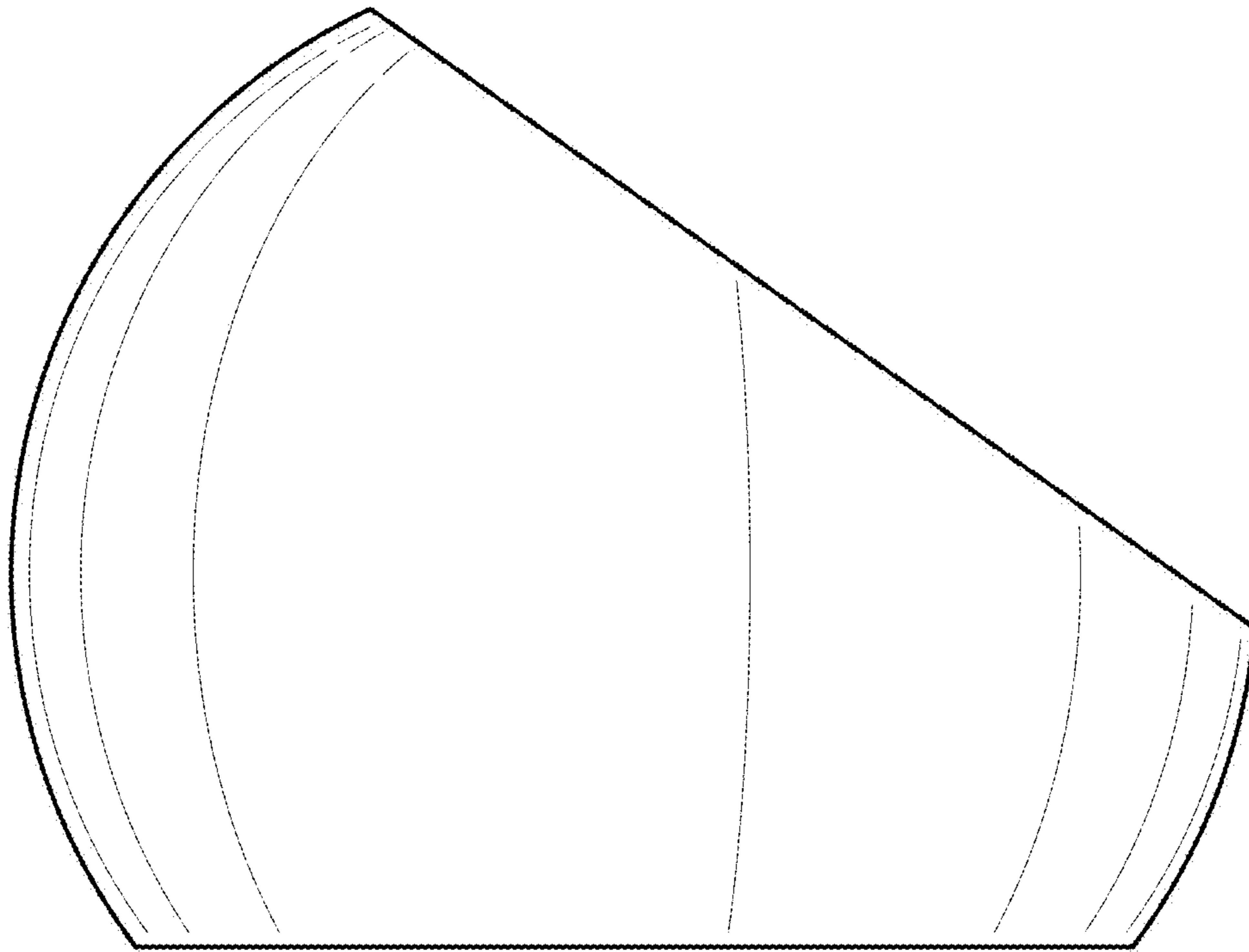


FIG. 4

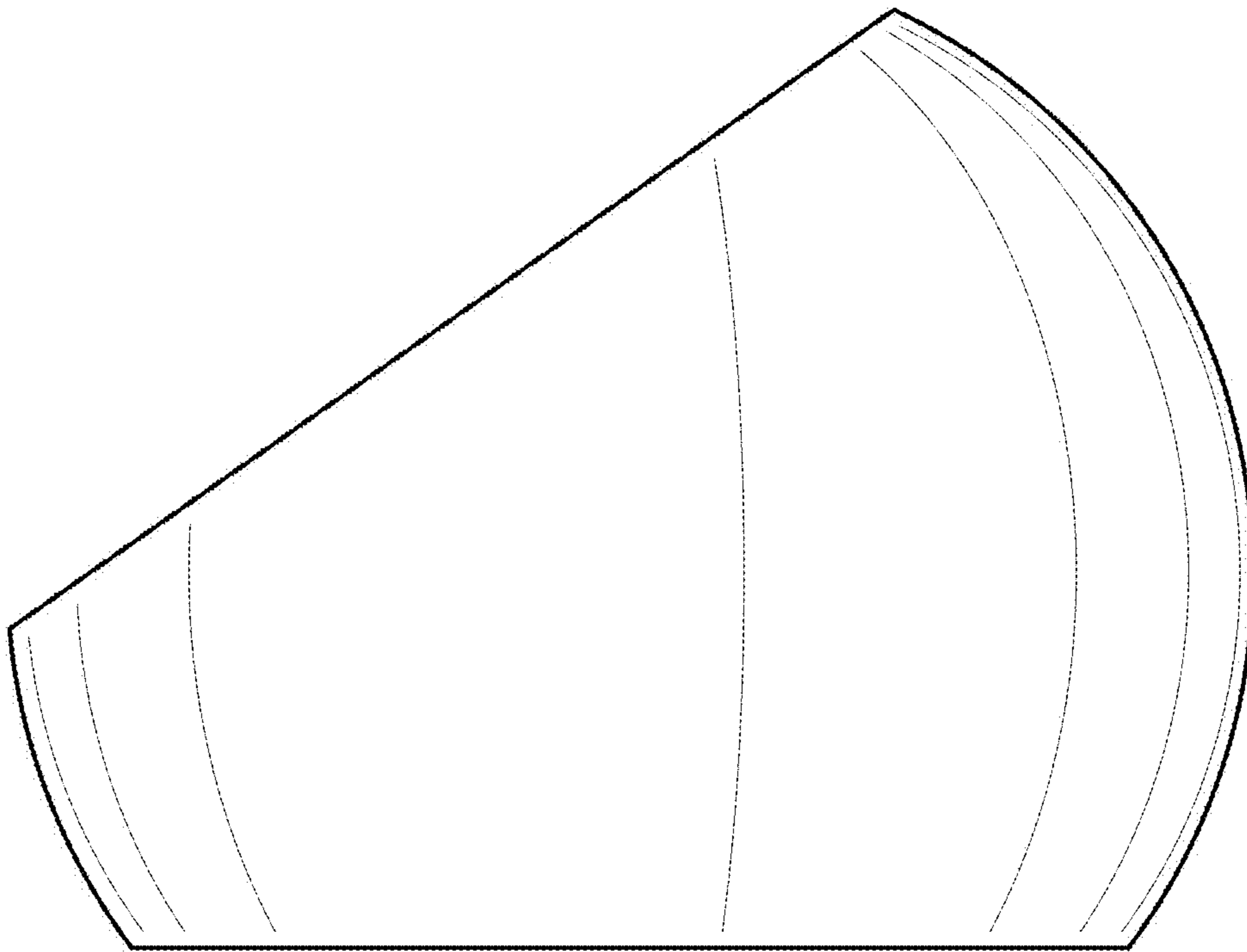


FIG. 5

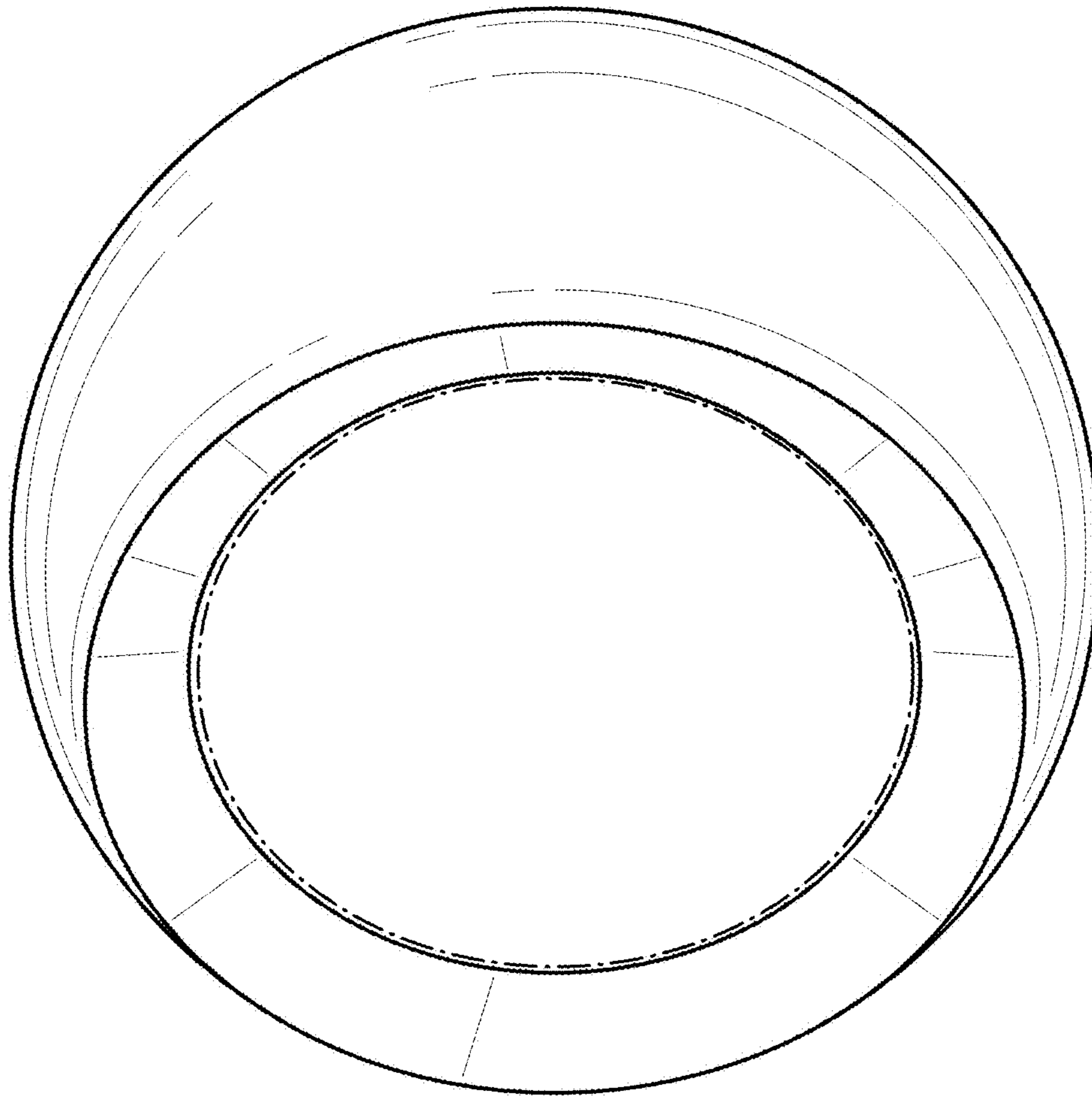


FIG. 6