



US00D891596S

(12) **United States Design Patent**  
**Choi**

(10) **Patent No.:** **US D891,596 S**  
(45) **Date of Patent:** **\*\* Jul. 28, 2020**

(54) **AIR PURIFIER**

(71) Applicant: **Coway Co., Ltd.**,  
Choongcheongnam-do (KR)

(72) Inventor: **Jong Ho Choi**, Seoul (KR)

(73) Assignee: **Coway Co., Ltd.**,  
Choongcheongnam-do (KR)

(\*\*) Term: **15 Years**

(21) Appl. No.: **29/667,706**

(22) Filed: **Oct. 24, 2018**

(30) **Foreign Application Priority Data**

Apr. 30, 2018 (KR) ..... 30-2018-0020138

(51) **LOC (12) Cl.** ..... **23-04**

(52) **U.S. Cl.**  
USPC ..... **D23/364**

(58) **Field of Classification Search**

USPC ..... D23/355-366, 352, 369, 332, 333, 335,  
D23/336, 342, 351; 422/120, 122;  
55/356, 473, 504; 96/97; 261/DIG. 17,  
261/DIG. 65, DIG. 88, DIG. 31  
CPC .. A61L 9/16; A61L 9/22; B01D 47/00; B01D  
47/027; B01D 2221/02; B01D 2259/4508;  
B03C 3/155; B03C 3/368; F24F 3/16;  
F24F 13/20; F24F 13/28

See application file for complete search history.

(56) **References Cited**

**U.S. PATENT DOCUMENTS**

D595,824 S \* 7/2009 Ohta ..... D23/364  
D595,825 S \* 7/2009 Ohta ..... D23/364

D597,643 S \* 8/2009 Chen ..... D23/364  
D605,272 S \* 12/2009 Chun ..... D23/359  
D722,152 S \* 2/2015 Hu ..... D23/356  
D722,153 S \* 2/2015 Hu ..... D23/364  
D723,149 S \* 2/2015 Huang ..... D23/359  
D734,843 S \* 7/2015 Yeom ..... D23/359  
D799,015 S \* 10/2017 Tang ..... D23/364  
D801,502 S \* 10/2017 Hu ..... D23/355  
D810,906 S \* 2/2018 Yoon ..... D23/364  
D810,907 S \* 2/2018 Yoon ..... D23/364  
D861,145 S \* 9/2019 Fang ..... D23/333

\* cited by examiner

*Primary Examiner* — David G Muller

(74) *Attorney, Agent, or Firm* — Millen, White, Zelano &  
Branigan, P.C.; William Nixon

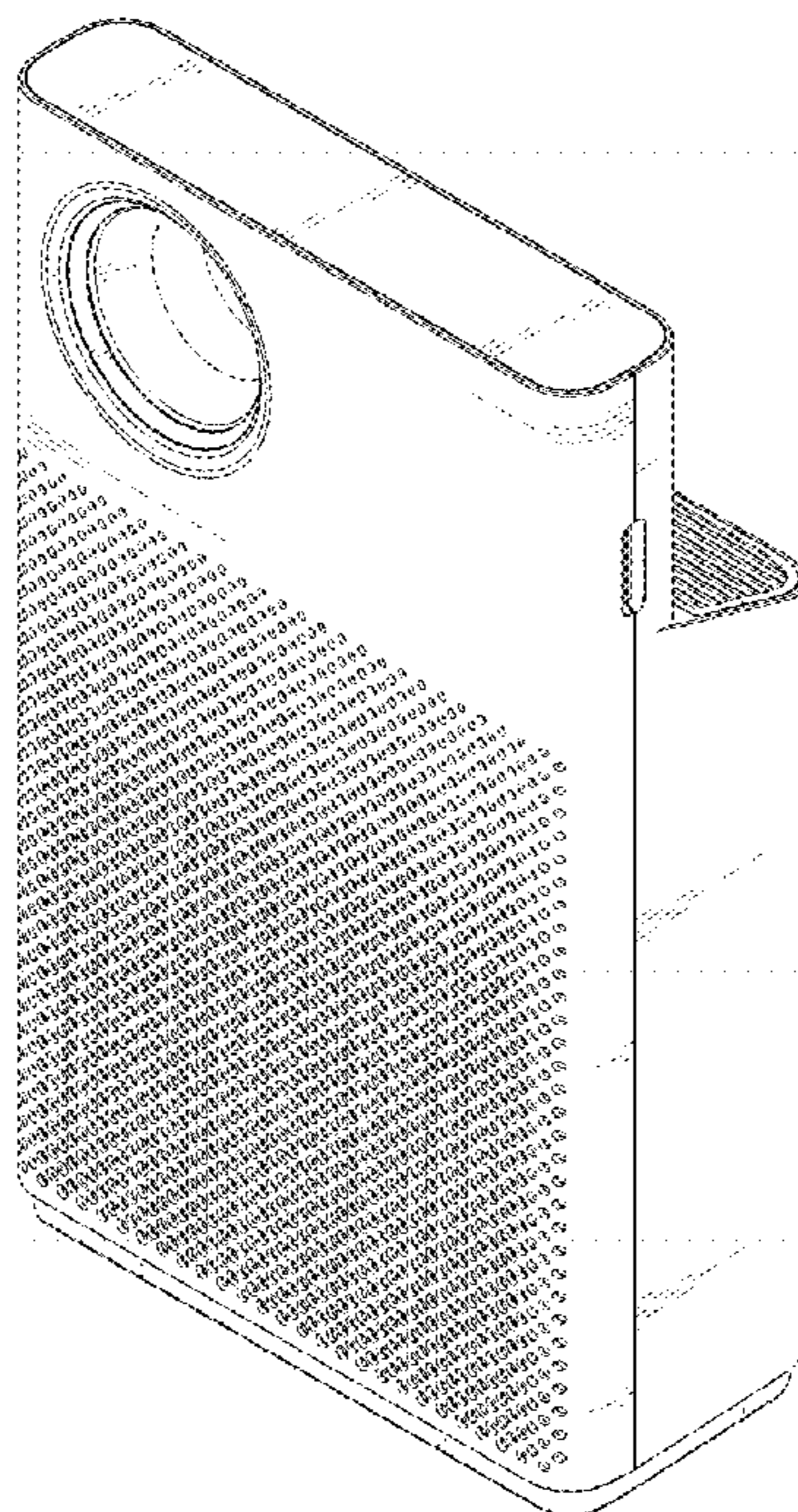
(57) **CLAIM**

The ornamental design for an air purifier, as shown and described.

**DESCRIPTION**

FIG. 1 illustrates a front perspective view of the air purifier showing my new design;  
FIG. 2 illustrates a front elevational view thereof;  
FIG. 3 illustrates a rear elevational view thereof;  
FIG. 4 illustrates a left side elevational view thereof;  
FIG. 5 illustrates a right side elevational view thereof;  
FIG. 6 illustrates a top plan view thereof; and,  
FIG. 7 illustrates a bottom plan view thereof.  
The broken line showing of parts of the drawings is included for the purpose of illustrating use and environment and forms no part of the claimed design.

**1 Claim, 7 Drawing Sheets**



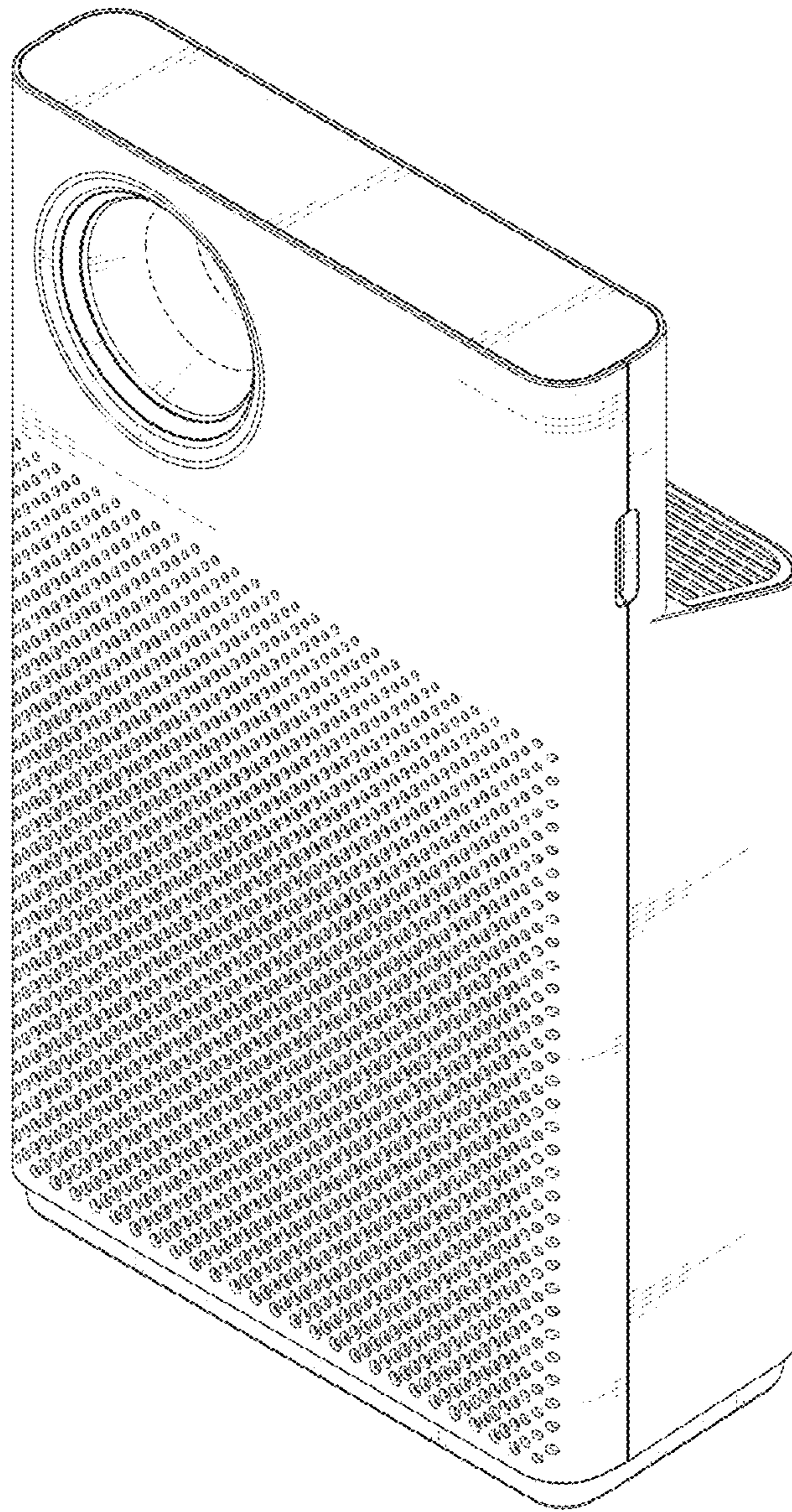


FIG. 1

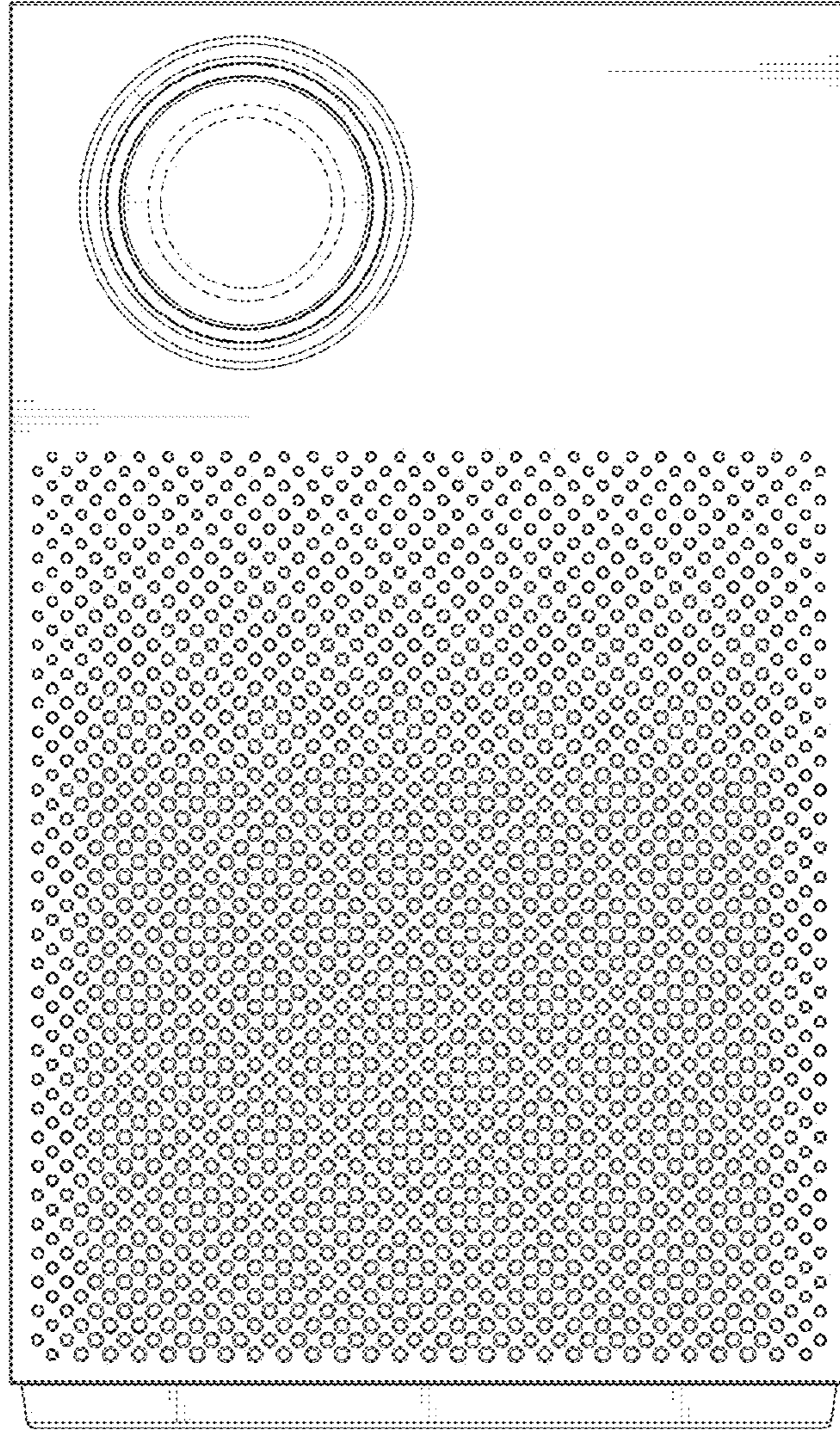


FIG. 2

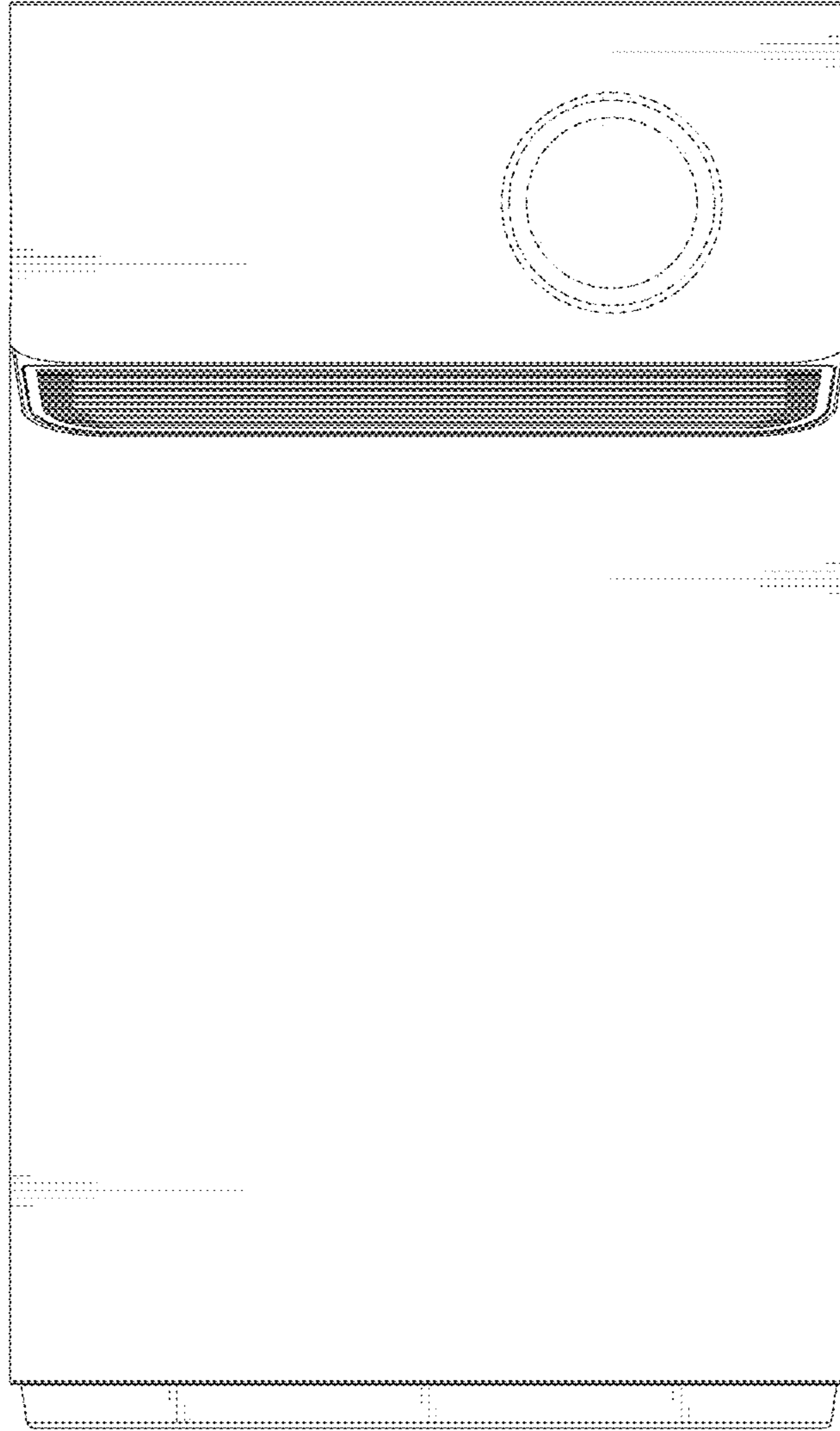


FIG. 3

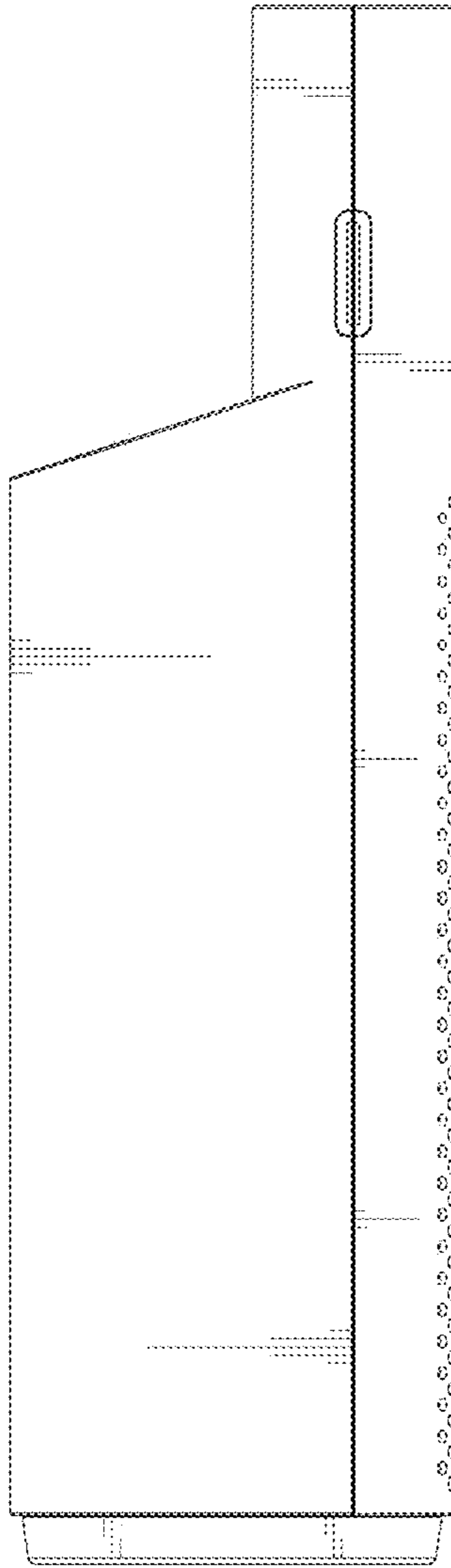


FIG. 4

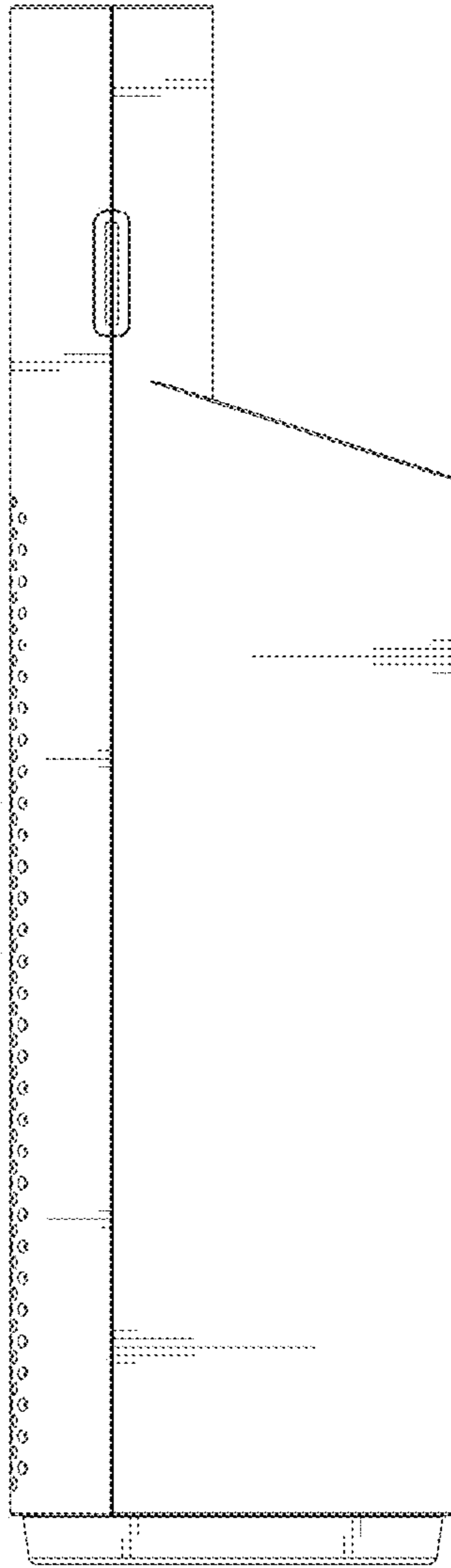


FIG. 5



FIG. 6

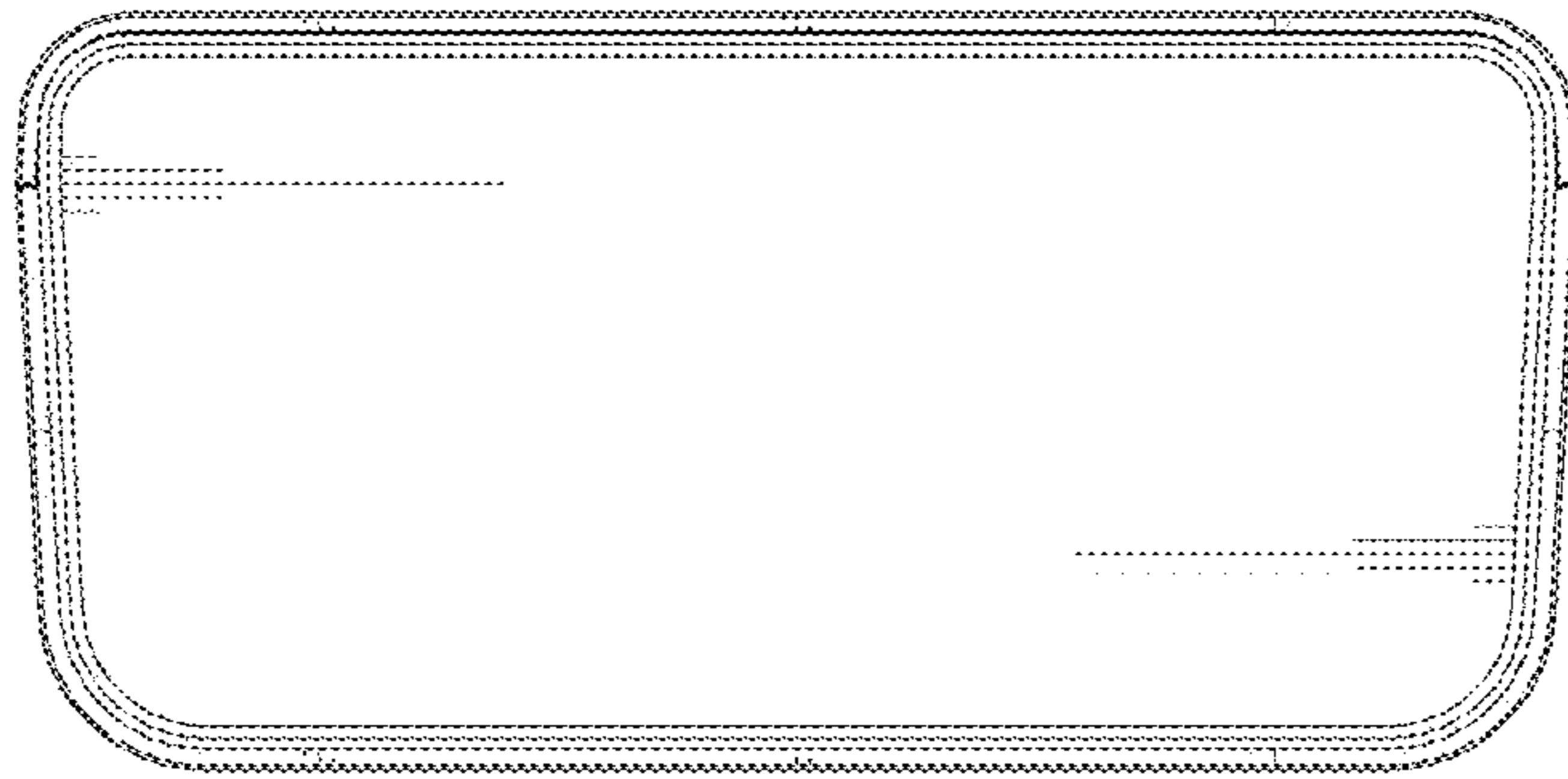


FIG. 7