



US00D891595S

(12) **United States Design Patent**
Ediger et al.

(10) **Patent No.:** **US D891,595 S**
(45) **Date of Patent:** **** Jul. 28, 2020**

- (54) **HUMIDIFIER**
- (71) Applicant: **Vornado Air, LLC**, Andover, KS (US)
- (72) Inventors: **Glen W. Ediger**, North Newton, KS (US); **Brian M. Cartwright**, Wichita, KS (US); **Gregory Pease**, Andover, KS (US)
- (73) Assignee: **Vornado Air, LLC**, Andover, KS (US)
- (**) Term: **15 Years**
- (21) Appl. No.: **29/664,171**

D581,035 S *	11/2008	Conway	D23/366
D588,252 S *	3/2009	Conway	D11/152
D612,924 S *	3/2010	Jorgensen	D23/366
D613,844 S *	4/2010	Jorgensen	D23/366
D621,020 S *	8/2010	Lehanneur	D23/364
D800,285 S *	10/2017	Seo	D23/358
D806,844 S *	1/2018	Kim	D23/364
D807,485 S *	1/2018	Bishop	D23/366
D807,998 S *	1/2018	Kim	D23/364
D814,619 S *	4/2018	Harrison	D23/364
D828,534 S *	9/2018	Hu	D23/366

* cited by examiner

Primary Examiner — David G Muller

- (22) Filed: **Sep. 21, 2018**
- (51) **LOC (12) Cl.** **24-02**
- (52) **U.S. Cl.**
USPC **D23/356**
- (58) **Field of Classification Search**
USPC D23/355–366, 352, 369, 332, 333, 335,
D23/336, 342, 351; 422/120, 122;
55/356, 473, 504; 96/971; 261/DIG. 17,
261/DIG. 65, DIG. 88, DIG. 31
CPC .. A61L 9/16; A61L 9/22; B01D 47/00; B01D
47/027; B01D 2221/02; B01D 2259/4508;
B03C 3/155; B03C 3/368; F24F 3/16;
F24F 13/20; F24F 13/28
See application file for complete search history.

(57) **CLAIM**

The ornamental design for a humidifier, as shown and described.

DESCRIPTION

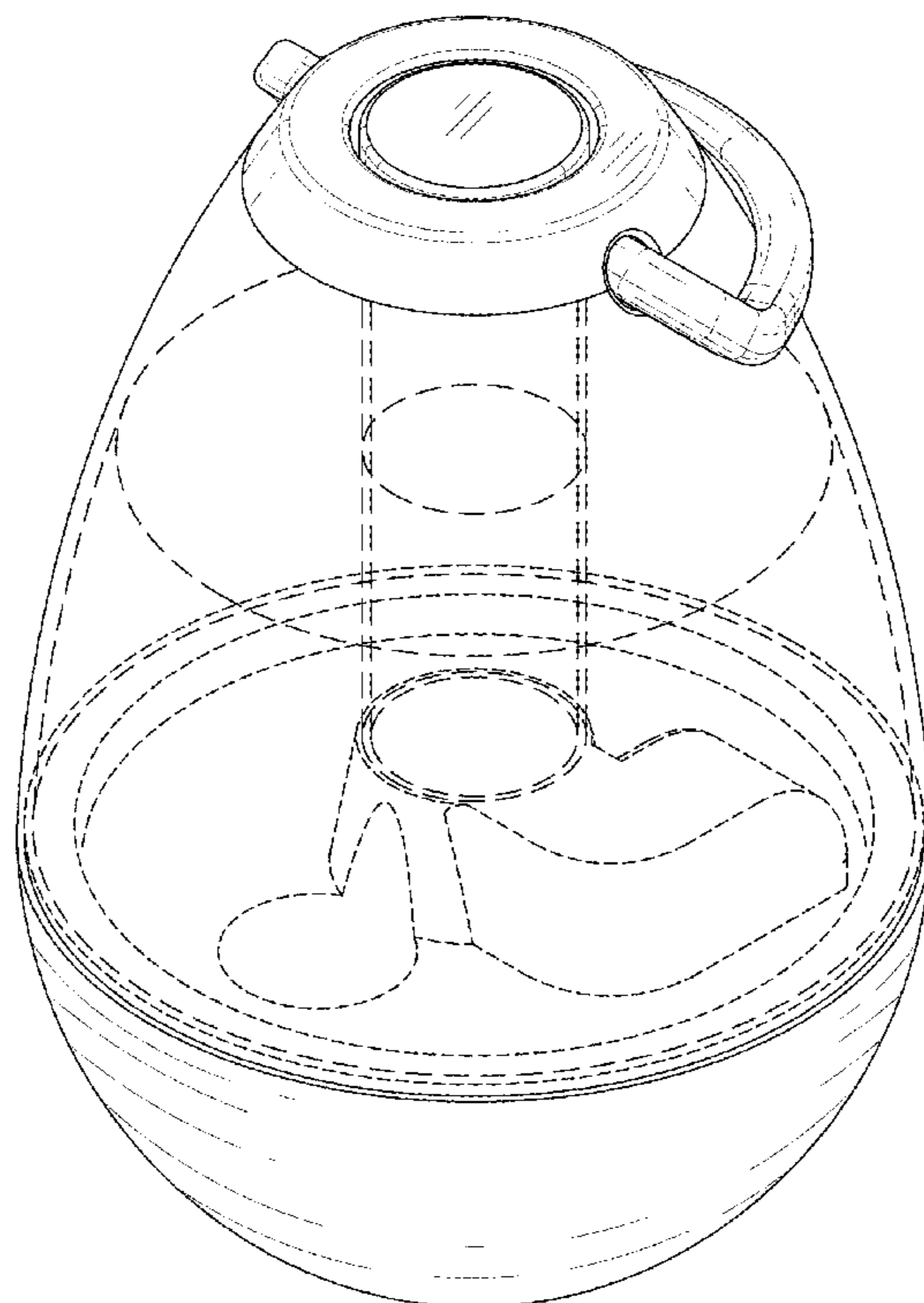
FIG. 1 is a left, front, top perspective view of a humidifier in accordance with the present invention; FIG. 2 is a front elevation view thereof; FIG. 3 is a back elevation view thereof; FIG. 4 is a left elevation view thereof; FIG. 5 is a right elevation view thereof; FIG. 6 is a top plan view thereof; and, FIG. 7 is a bottom plan view thereof. The broken lines represent portions of the structure that form no part of the claim.

(56) **References Cited**

U.S. PATENT DOCUMENTS

D522,641 S *	6/2006	Matsuda	D23/366
D522,642 S *	6/2006	Matsuda	D23/366

1 Claim, 7 Drawing Sheets



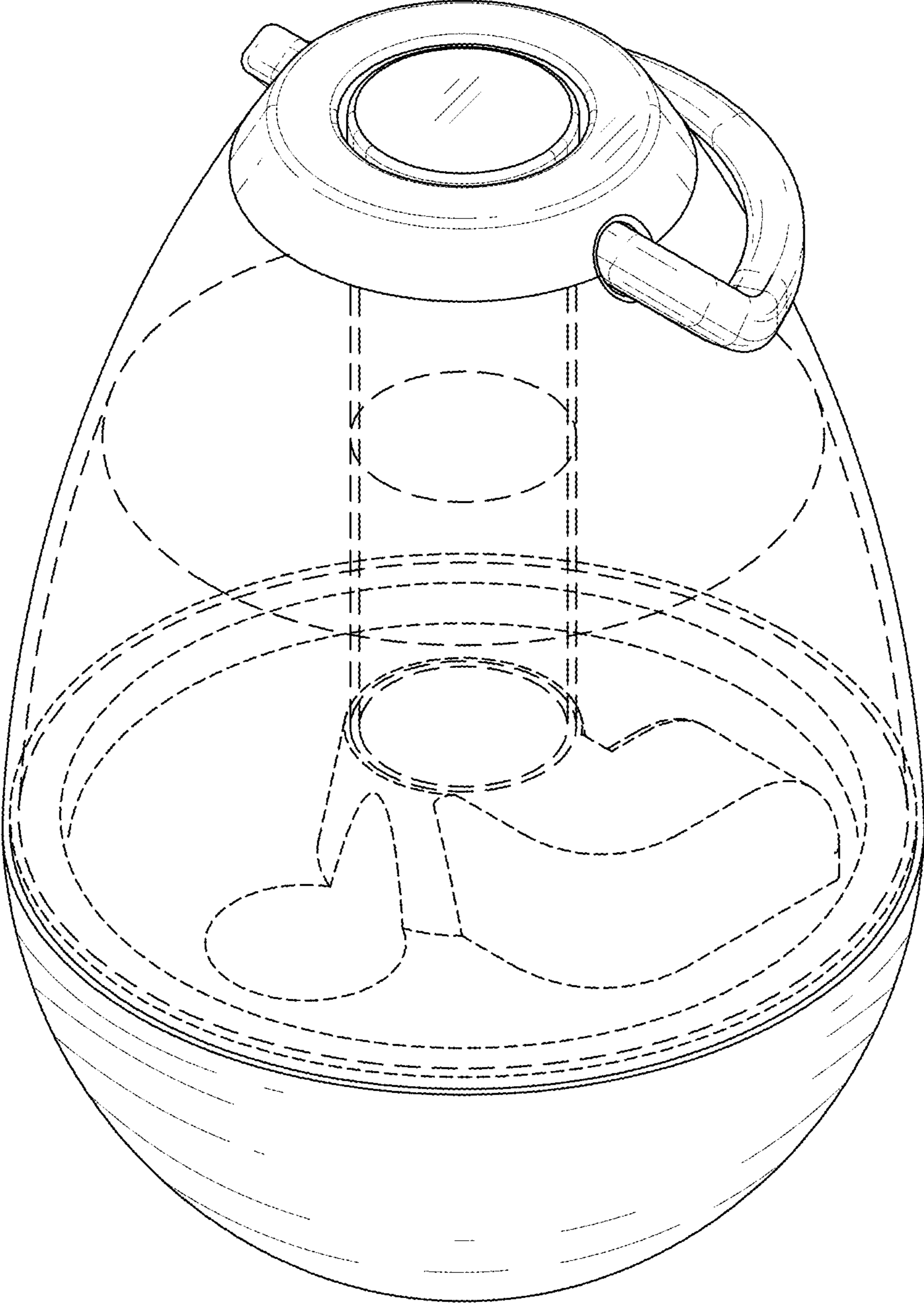


FIG. 1

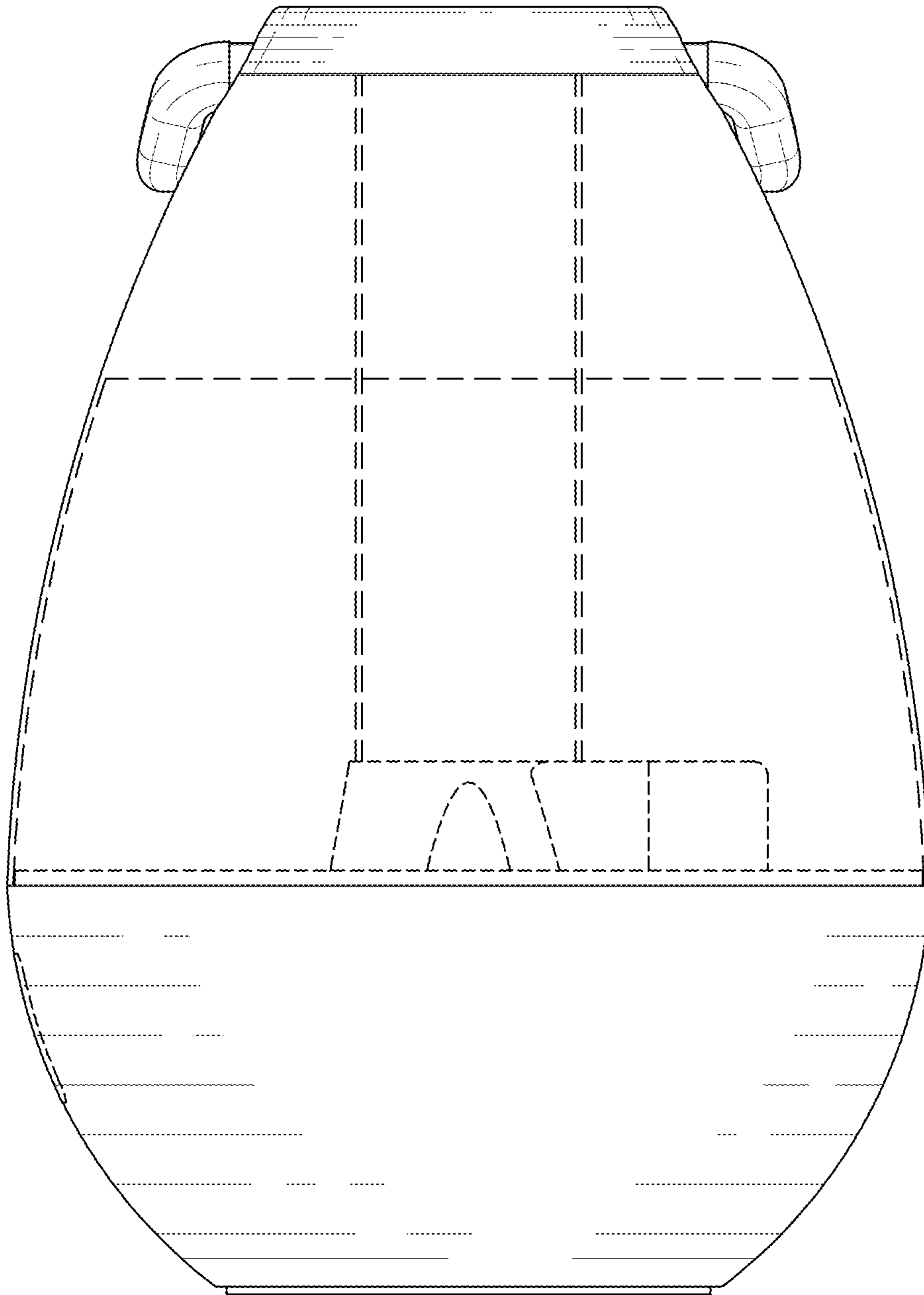


FIG. 2

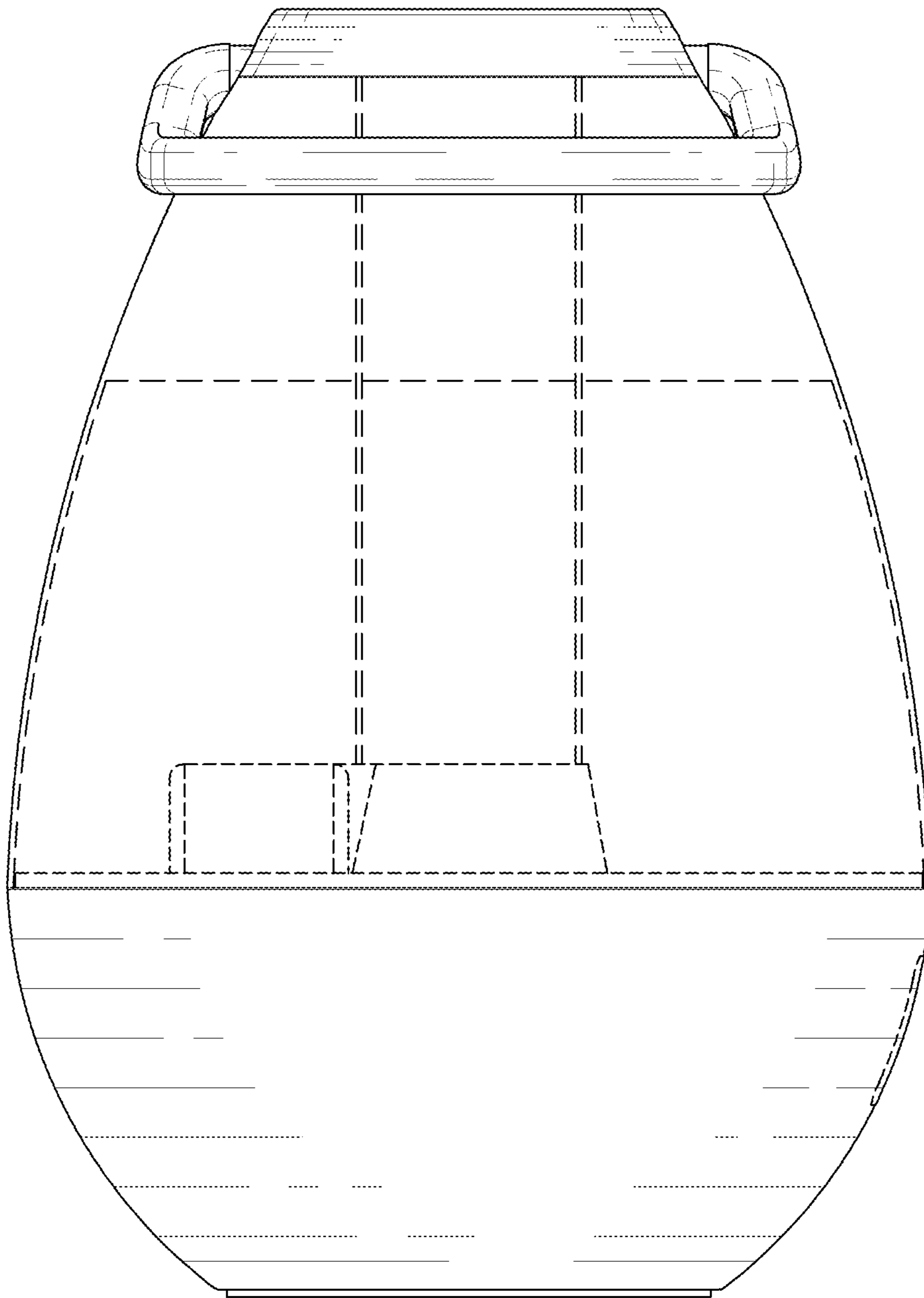


FIG. 3

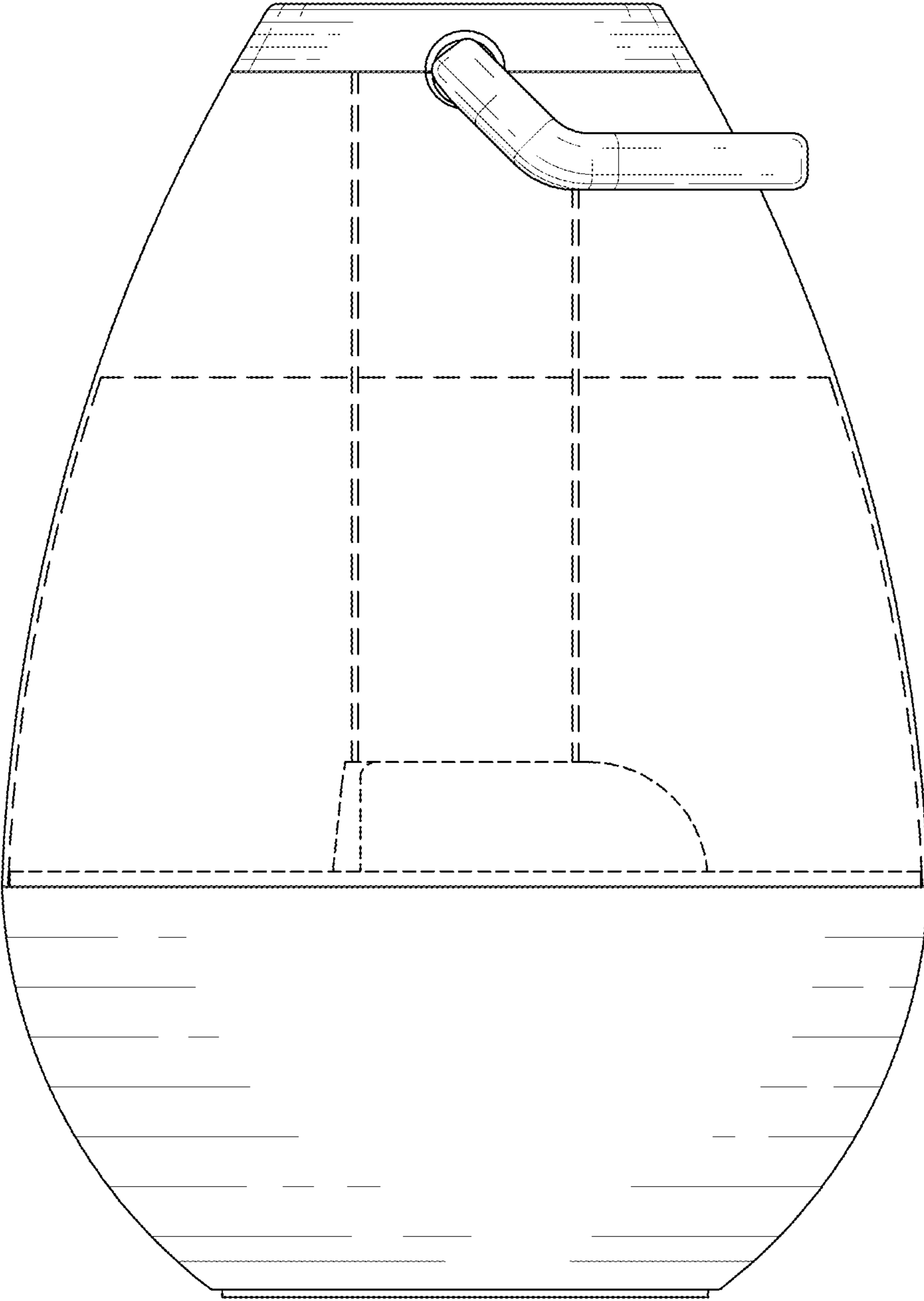


FIG. 4

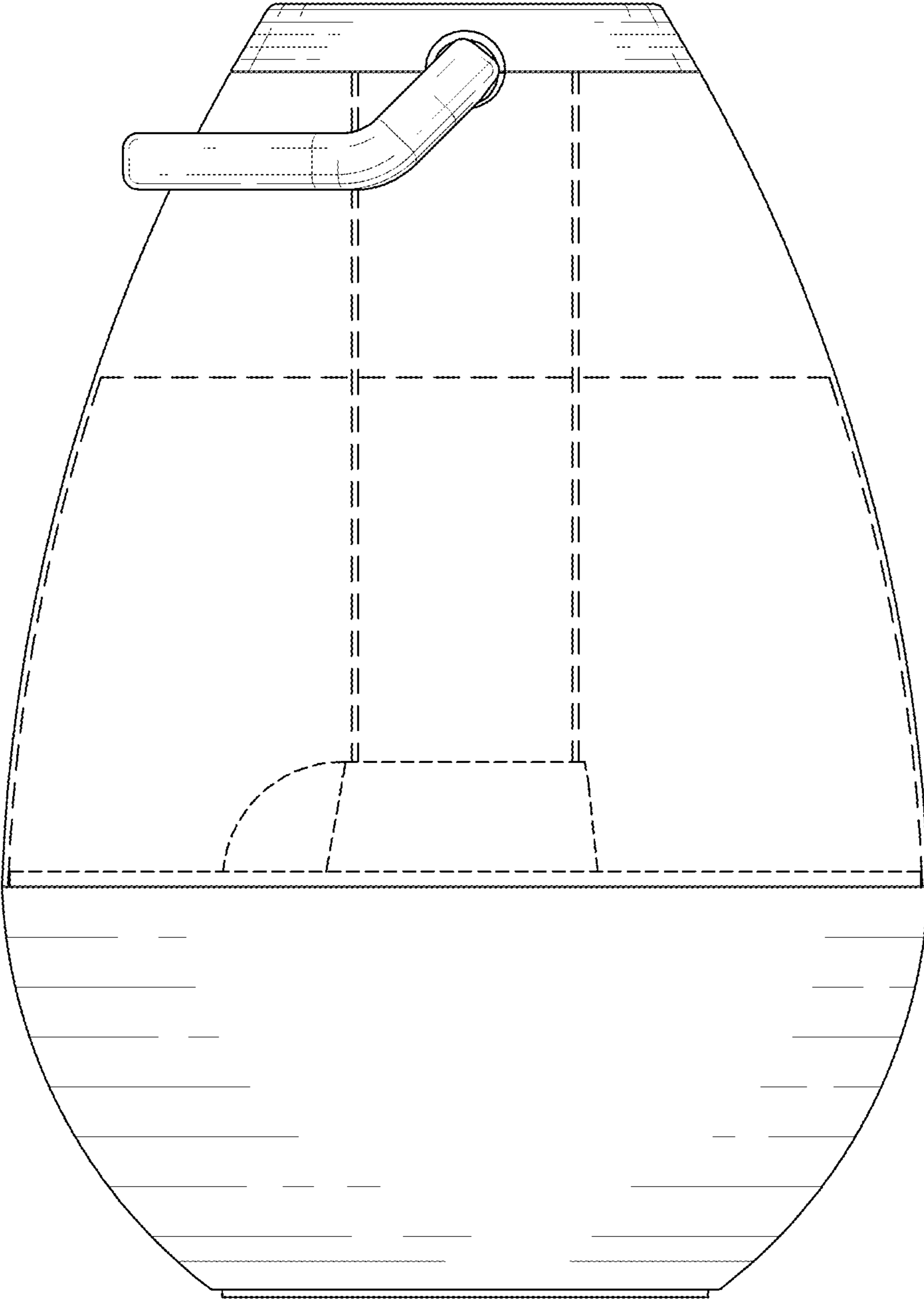


FIG. 5

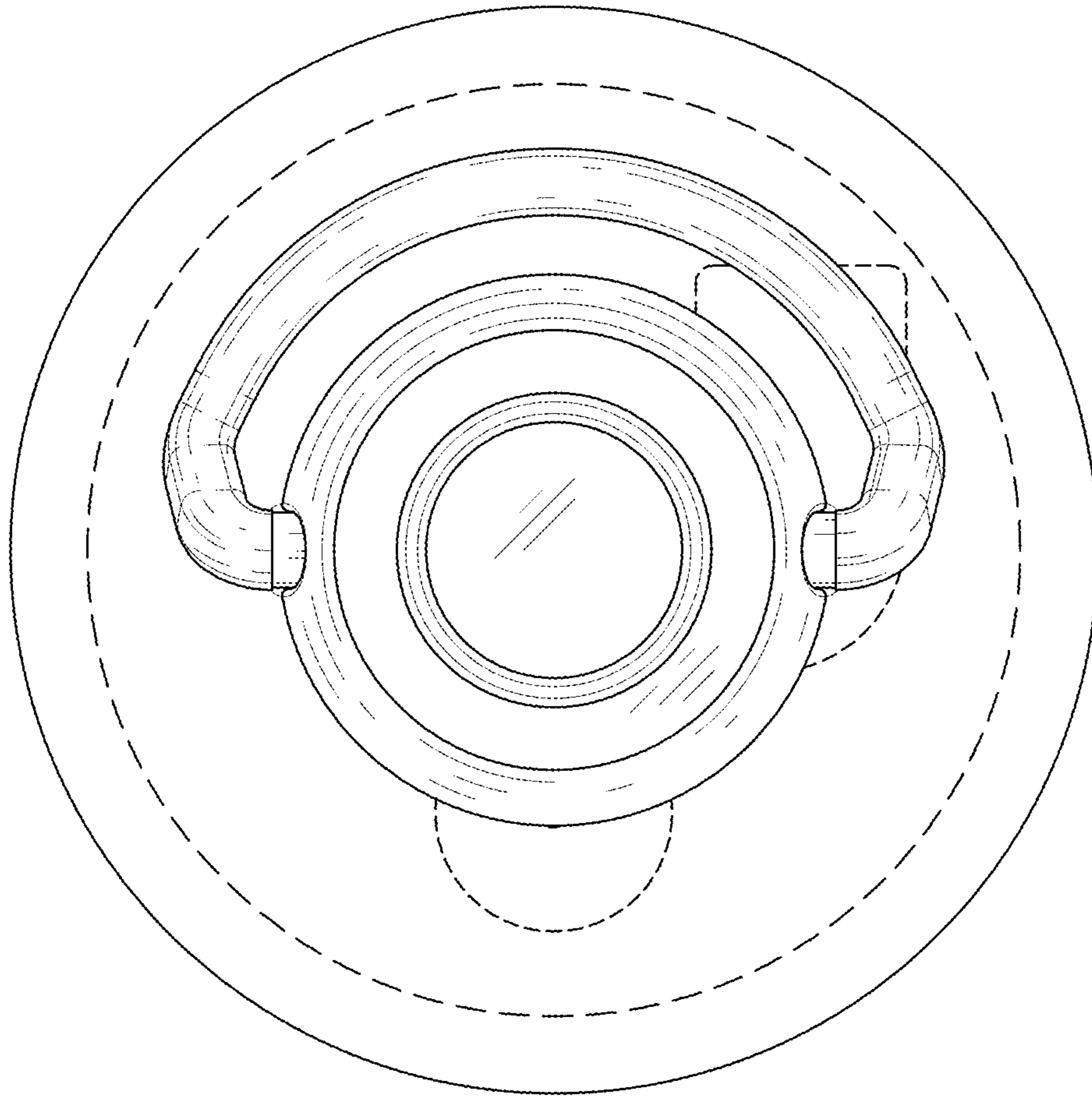


FIG. 6

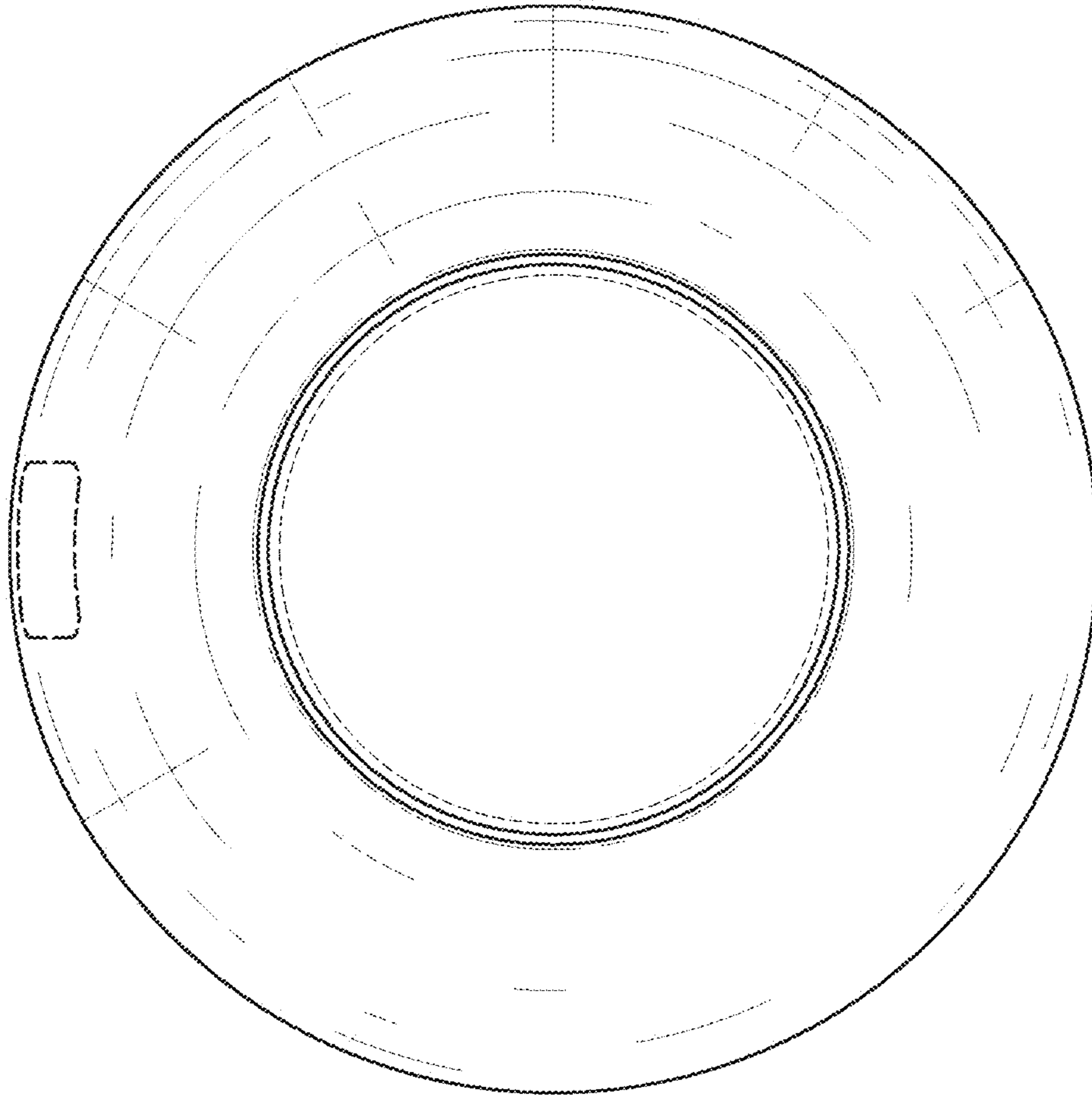


FIG. 7