



US00D891594S

(12) **United States Design Patent**
Farrer

(10) **Patent No.:** **US D891,594 S**

(45) **Date of Patent:** **** *Jul. 28, 2020**

- (54) **PORTABLE AUDIO-DRIVEN FIRE PIT**
- (71) Applicant: **TK PRODUCTS, LLC**, Vancouver, WA (US)
- (72) Inventor: **Trent Farrer**, Vancouver, WA (US)
- (73) Assignee: **TK HOLDINGS, LLC**, Vancouver, WA (US)
- (*) Notice: This patent is subject to a terminal disclaimer.
- (**) Term: **15 Years**
- (21) Appl. No.: **29/674,153**
- (22) Filed: **Dec. 19, 2018**
- (51) **LOC (12) Cl.** **23-03**
- (52) **U.S. Cl.**
USPC **D23/343**
- (58) **Field of Classification Search**
USPC D23/314, 332, 334, 335, 336, 337, 338, D23/339, 340, 341, 342, 343, 344, 403, D23/499; D7/332-337, 402-405, 352; D26/8
CPC F24C 1/16; F24C 5/00; F24C 3/14; A47J 33/00; A47J 37/0763; A47J 37/07; F24B 1/18; F24B 1/182; F24B 1/1808; F24B 1/181; F24B 1/195; F24B 1/191; F23N 1/002; F23N 5/203
See application file for complete search history.

- 8,434,470 B2 * 5/2013 Jensen F24C 5/00 126/512
- D805,171 S * 12/2017 Hrydovyy D23/343
- D857,865 S * 8/2019 Wang D23/339
- 2012/0260905 A1 * 10/2012 Jensen F24B 1/1802 126/512
- 2014/0338585 A1 * 11/2014 McBride B63B 17/00 114/364
- 2017/0261210 A1 * 9/2017 Harris F24C 3/022
- 2018/0010807 A1 * 1/2018 Brakhage F24C 15/06
- 2019/0383490 A1 * 12/2019 Paladino F24B 1/192

* cited by examiner

Primary Examiner — T Chase Nelson

Assistant Examiner — Ania Aman

(74) *Attorney, Agent, or Firm* — FisherBroyles LLP; Micah D. Stolowitz

(57) **CLAIM**

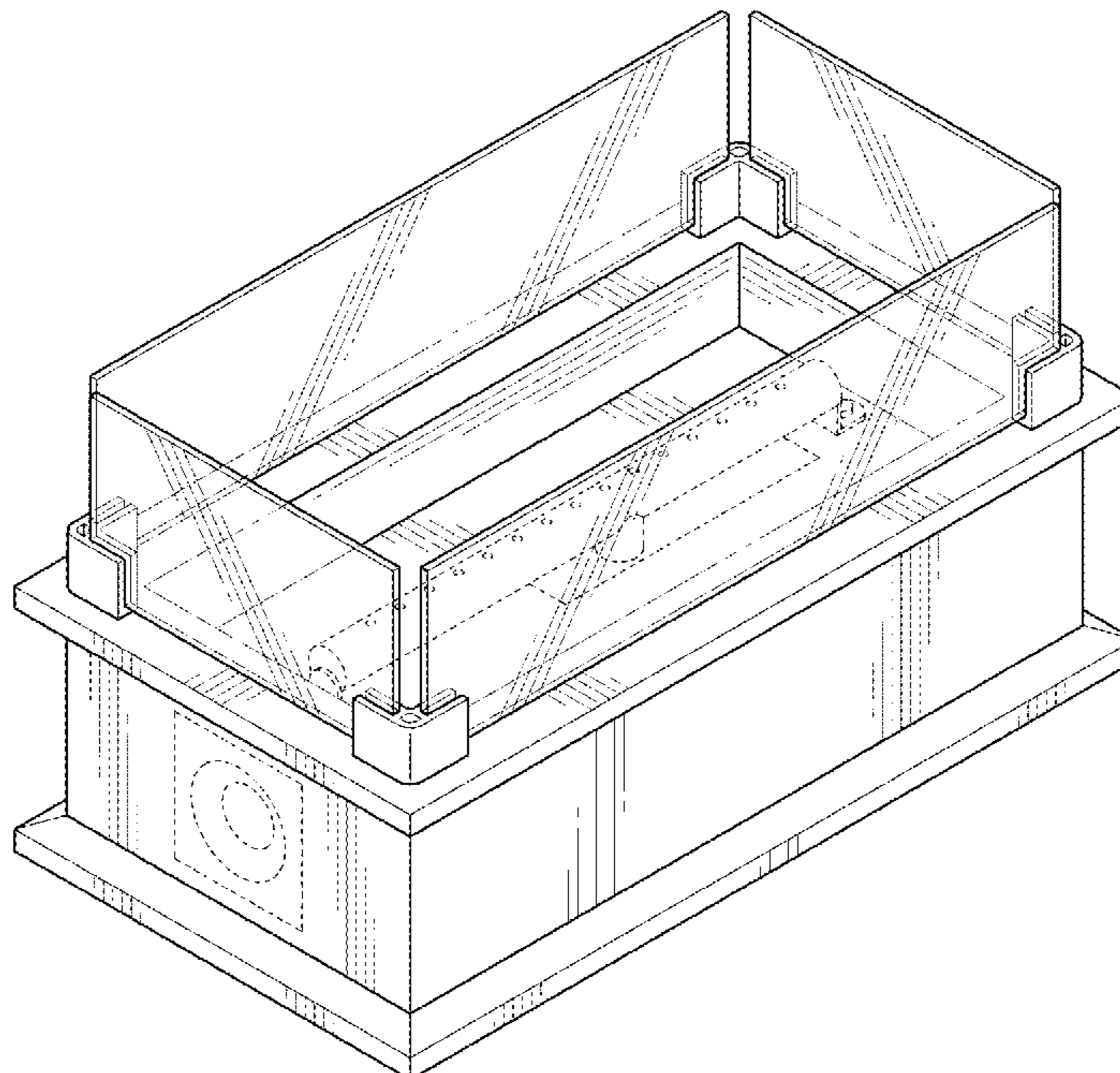
I claim, the ornamental design for a portable audio-driven fire pit, as shown and described.

DESCRIPTION

FIG. 1 is a perspective view of my design.
 FIG. 2 is a front elevation view of my design.
 FIG. 3 is a back elevation view of my design.
 FIG. 4 is a left side elevation view of my design.
 FIG. 5 is a right side elevation view of my design; and,
 FIG. 6 is a top view of my design.
 The broken lines showing portions of the portable audio-driven fire pit is for the purpose of illustrating environmental structure and form no part of the claimed design.

1 Claim, 3 Drawing Sheets

- (56) **References Cited**
U.S. PATENT DOCUMENTS
D383,356 S * 9/1997 Stuck D7/332
D620,570 S * 7/2010 Thomas D23/342



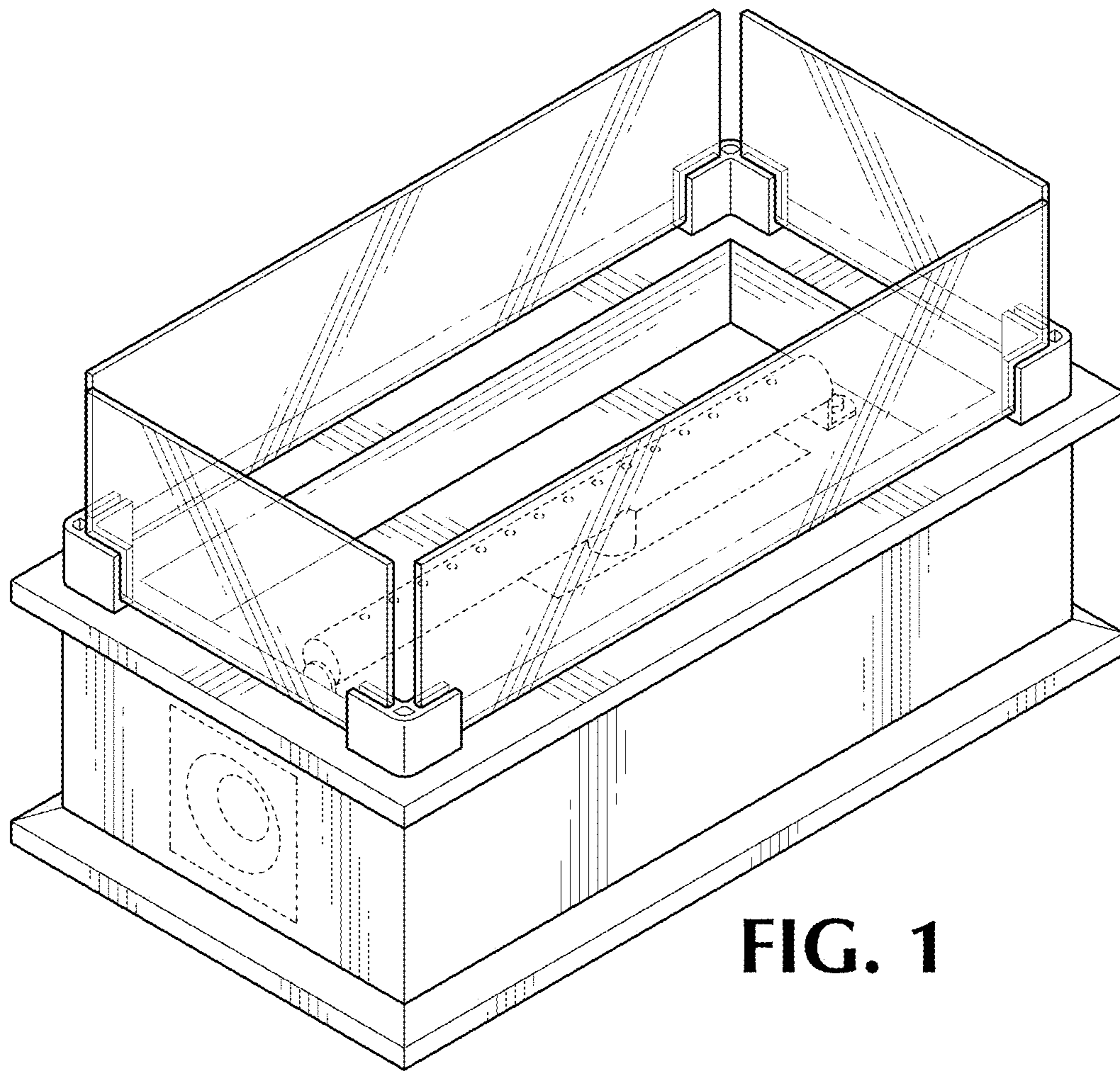


FIG. 1

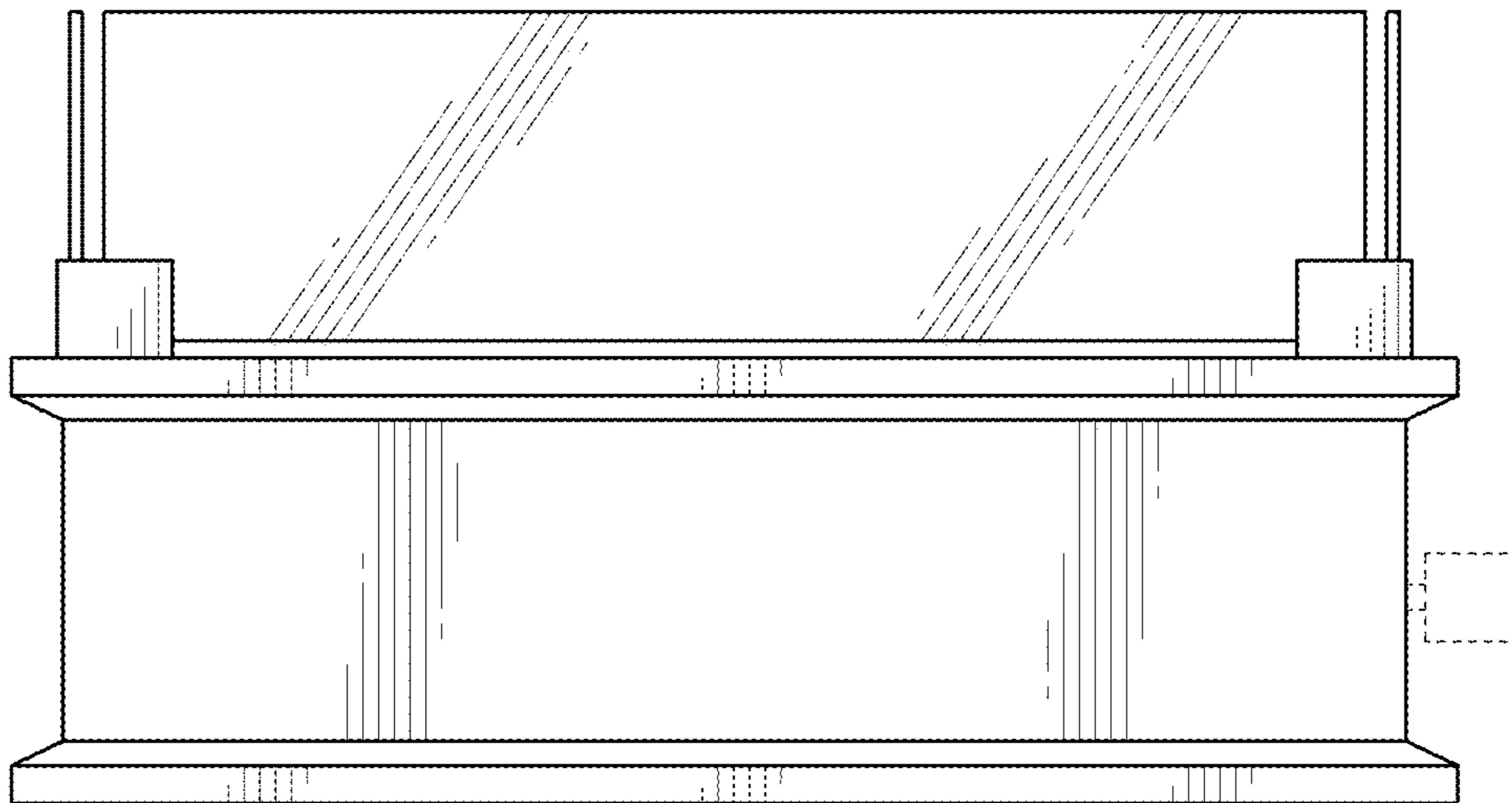


FIG. 2

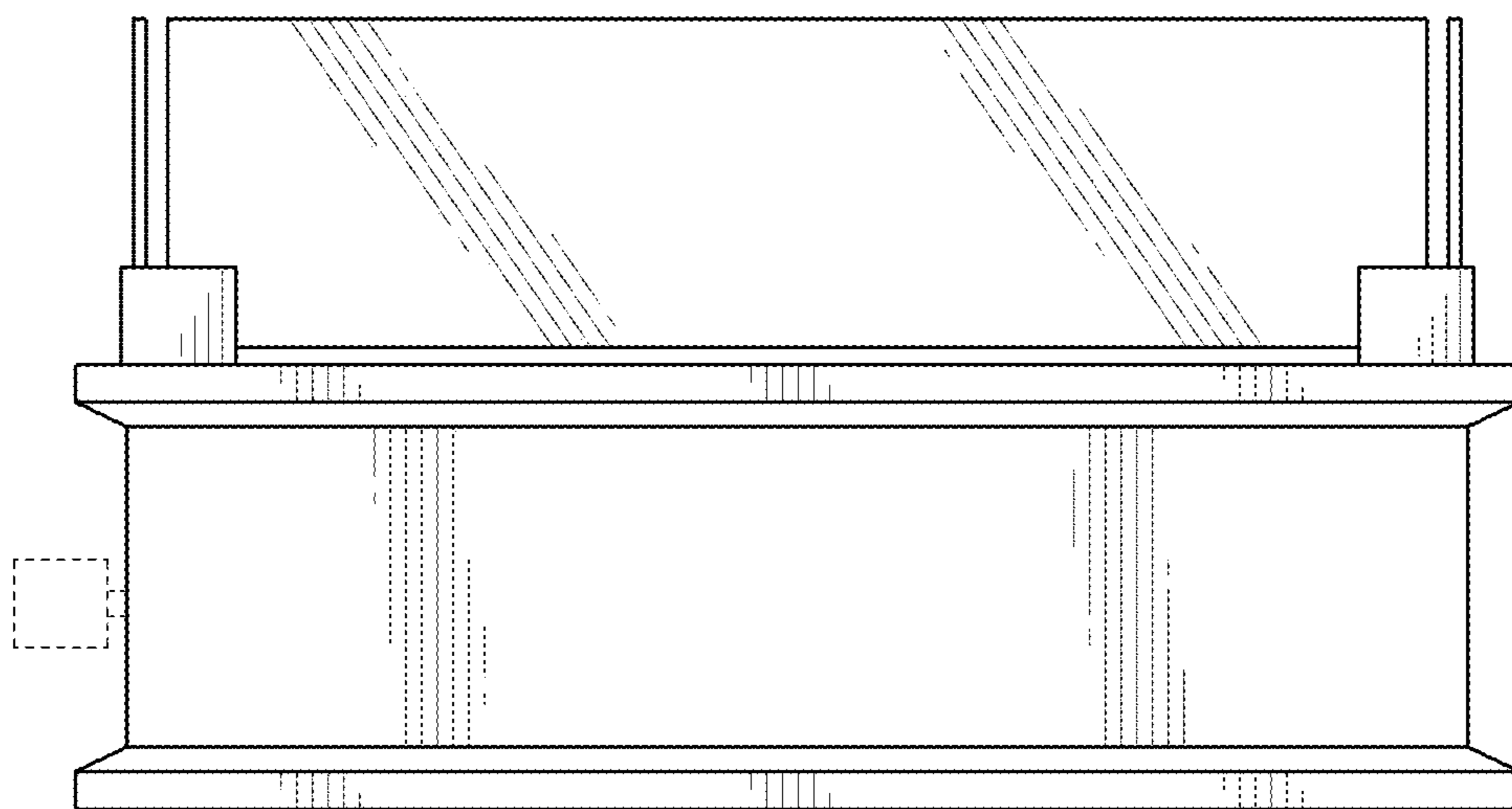


FIG. 3

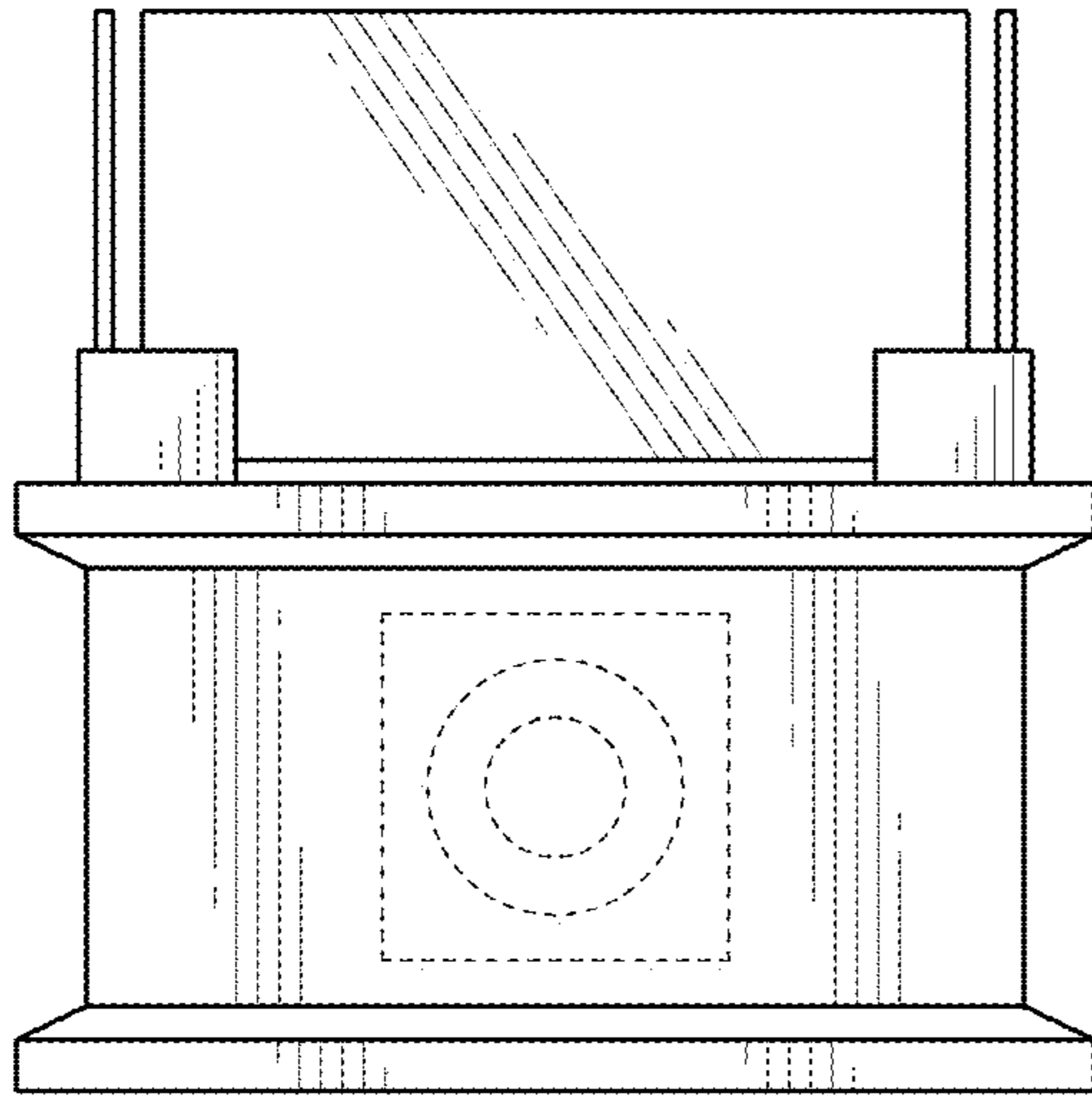


FIG. 4

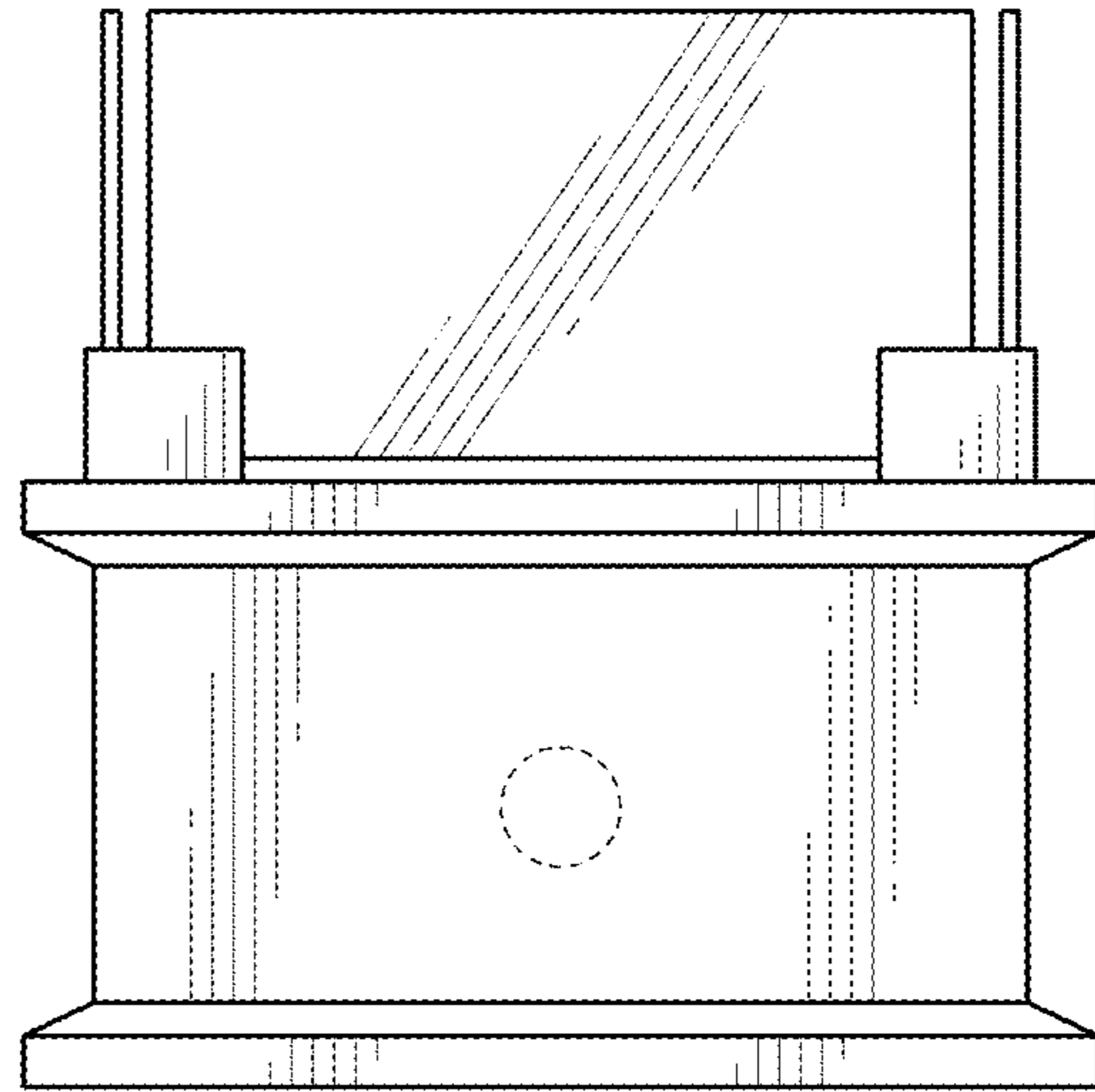


FIG. 5

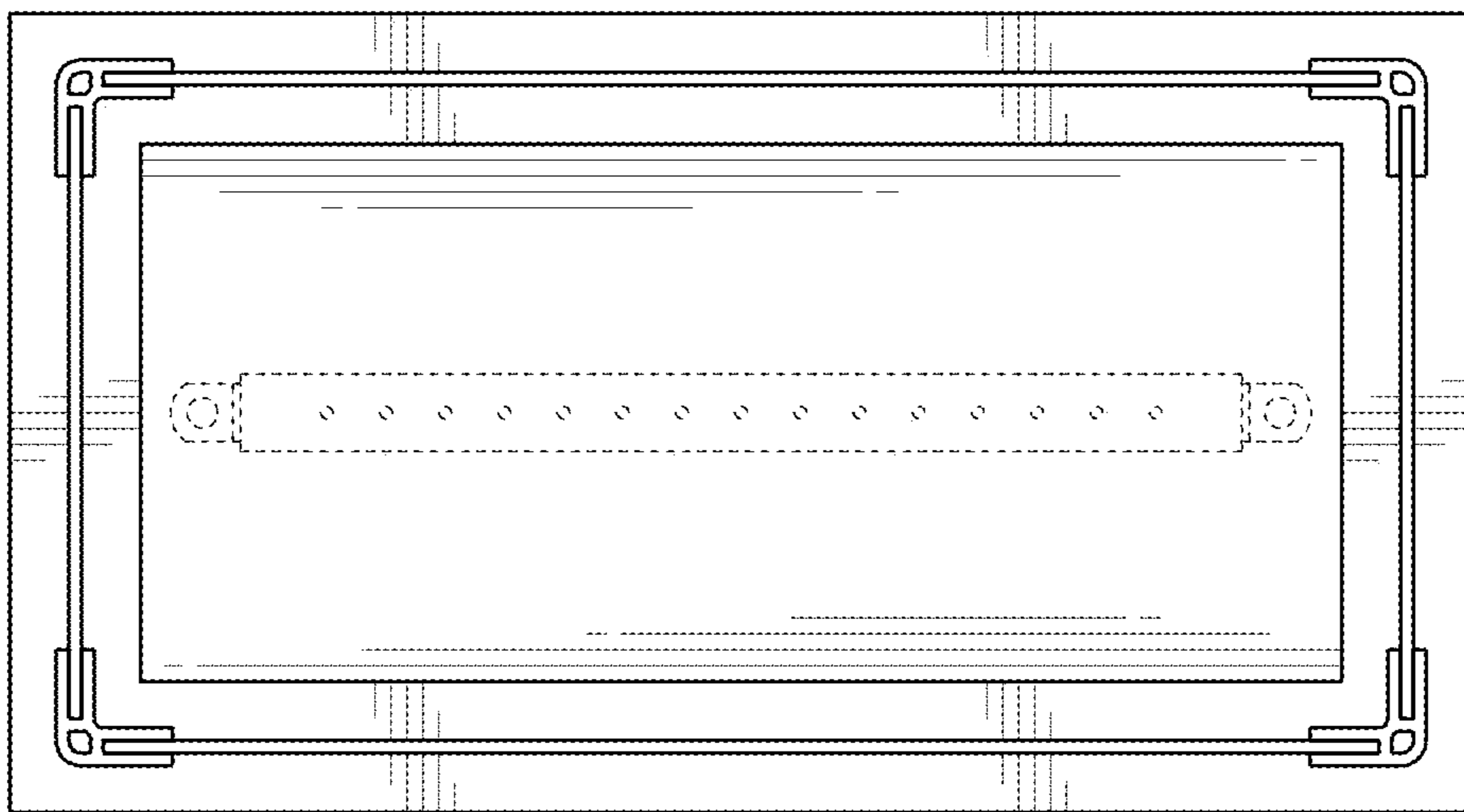


FIG. 6