



US00D891593S

(12) **United States Design Patent** (10) **Patent No.:** **US D891,593 S**
Wilson (45) **Date of Patent:** **** Jul. 28, 2020**

(54) **HEATER WITH BRACKET**

FOREIGN PATENT DOCUMENTS

(71) Applicant: **King Electrical Manufacturing Company, Seattle, WA (US)**

CN 302221994 * 7/2012
CN 302663260 * 4/2013
CN 303510765 * 7/2015

(72) Inventor: **Dean E. Wilson, Seattle, WA (US)**

OTHER PUBLICATIONS

(73) Assignee: **King Electrical Manufacturing Company, Seattle, WA (US)**

Dr Infrared Heater, review date Apr. 27, 2017[online], [site visited Mar. 24, 2020]. Available from internet, URL:<https://www.amazon.com/Dr-Infrared-Heater-DR-975-Controlled/dp/B01M8KXXAB/ref=sr_1_13?dchild=1&keywords=ceiling%2BMounted%2Bspace%2Bheater&qid=1585094615&sr=8-13&th=1> (Year: 2017).*

(**) Term: **15 Years**

(Continued)

(21) Appl. No.: **29/669,711**

(22) Filed: **Nov. 9, 2018**

(51) **LOC (12) Cl.** **23-03**

Primary Examiner — Barbara Fox

(52) **U.S. Cl.**

Assistant Examiner — Jamaal Rasheed

USPC **D23/342**

(74) *Attorney, Agent, or Firm* — Christensen O'Connor Johnson Kindness, PLLC

(58) **Field of Classification Search**

USPC D23/317, 332, 339-346, 350, 403, 405; D8/355

(57) **CLAIM**

CPC F28D 1/02; H05B 3/00; F24H 9/20; F24H 3/0411; F24D 13/00; F24C 15/00; F24C 15/30; F24C 7/00

The ornamental design for a heater with bracket, as shown and described.

See application file for complete search history.

DESCRIPTION

(56) **References Cited**

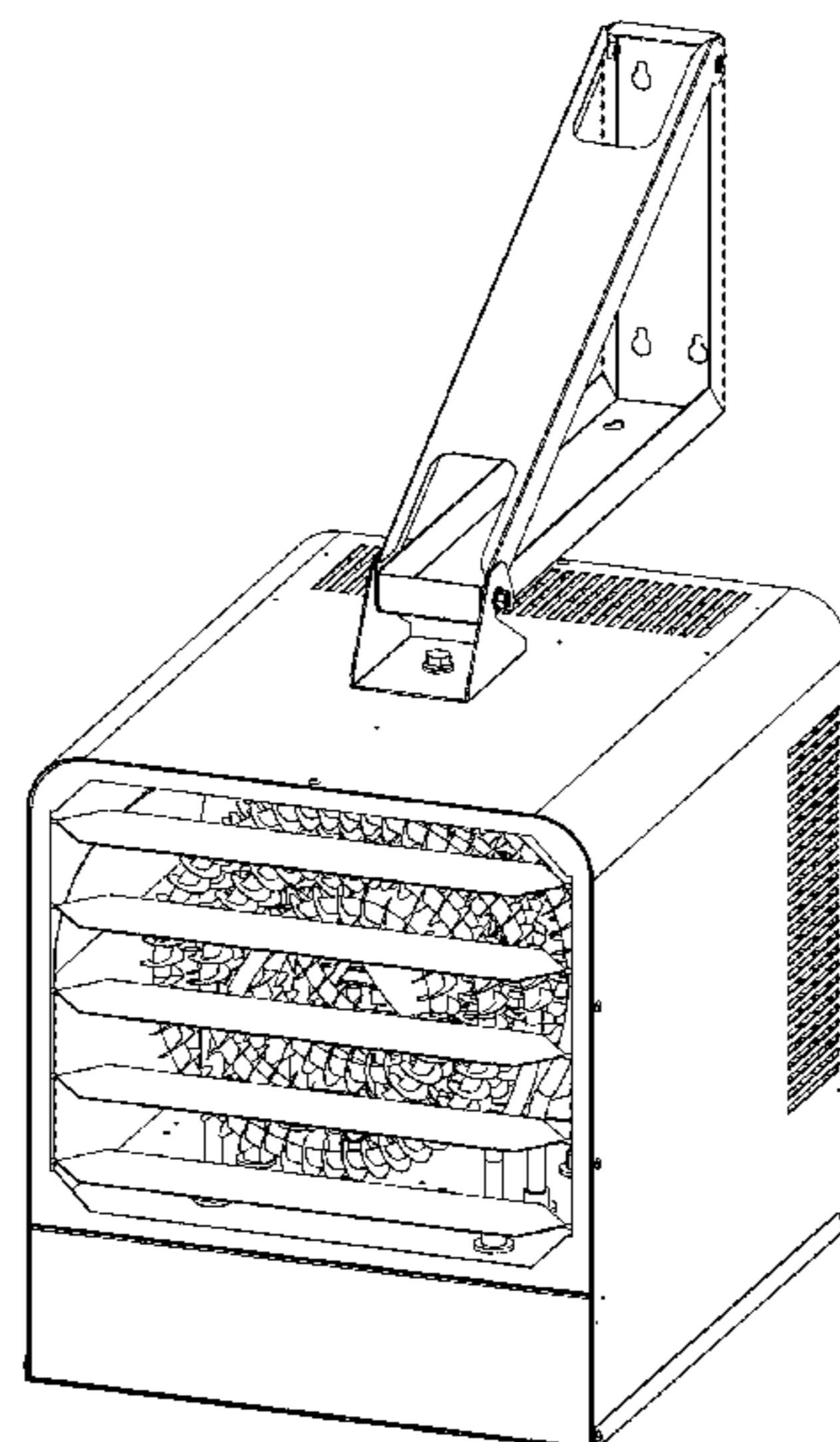
U.S. PATENT DOCUMENTS

1,593,375 A * 7/1926 Wood A47J 47/16
248/241
1,726,275 A * 8/1929 Modine F28D 1/024
165/124
1,754,642 A * 4/1930 Modine F28D 1/024
165/122
1,792,090 A * 2/1931 Haupt F28D 1/024
165/300
1,807,164 A * 5/1931 Modine F28D 1/024
165/99
3,590,806 A * 7/1971 Locke F24C 3/14
126/92 B
D274,037 S * 5/1984 Crim D8/373

FIG. 1 is an upper-right perspective view of a heater with bracket in accordance with the present design;
FIG. 2 is a lower-right perspective view of the heater with bracket shown in FIG. 1;
FIG. 3 is a front view of the heater with bracket shown in FIG. 1;
FIG. 4 is a back view of the heater with bracket shown in FIG. 1;
FIG. 5 is a left side view of the heater with bracket shown in FIG. 1;
FIG. 6 is a right side view of the heater with bracket shown in FIG. 1;
FIG. 7 is a top plan view of the heater with bracket shown in FIG. 1; and,
FIG. 8 is a bottom plan view of the heater with bracket shown in FIG. 1.

(Continued)

1 Claim, 8 Drawing Sheets



(56)

References Cited

U.S. PATENT DOCUMENTS

D303,285 S * 9/1989 Mongeau D23/314
 D313,069 S * 12/1990 McCormick D23/335
 D318,414 S * 7/1991 Righini D8/381
 D318,723 S * 7/1991 Chiu D23/337
 D323,553 S * 1/1992 Claypool D23/337
 D346,855 S * 5/1994 Chiu D23/328
 5,621,846 A * 4/1997 Smith F24C 7/065
 248/324
 D392,933 S * 3/1998 Mattila D12/223
 D418,911 S * 1/2000 Birdsell D23/335
 D426,876 S * 6/2000 Rossman D23/332
 D429,805 S * 8/2000 Hyon D23/359
 6,122,437 A * 9/2000 Johnson F24C 15/30
 392/360
 6,748,163 B2 * 6/2004 Wilson F24H 9/2071
 392/360
 6,810,205 B2 * 10/2004 Kaplanis H05B 3/008
 219/220
 D518,160 S * 3/2006 Normark D23/366
 7,013,080 B1 * 3/2006 Kaplanis F24C 7/065
 219/220
 D543,611 S * 5/2007 Tateishi D23/335
 D570,464 S * 6/2008 Normark D23/364
 D606,645 S * 12/2009 Orihara D23/366
 D611,801 S * 3/2010 Chustak D8/355
 D616,080 S * 5/2010 Ching D23/332
 D652,495 S * 1/2012 Smith D23/342
 D654,158 S * 2/2012 Chen D23/317
 D654,159 S * 2/2012 Chen D23/317

D654,578 S * 2/2012 Ediger D23/342
 D654,579 S * 2/2012 Smith D23/342
 D683,000 S * 5/2013 Smith
 D687,137 S * 7/2013 Nemes D23/332
 D717,416 S * 11/2014 Wakabayashi D23/332
 D733,860 S * 7/2015 Konno D23/366
 D788,277 S * 5/2017 Monfette D23/342
 D804,001 S * 11/2017 Cartwright D23/355
 D827,115 S * 8/2018 Petersen D23/333
 D833,591 S * 11/2018 Zhu D23/332
 D838,824 S * 1/2019 Sun D23/364
 D848,593 S * 5/2019 Exley D23/351
 D849,220 S * 5/2019 Fang D23/364
 D850,593 S * 6/2019 Petersen D23/333
 D852,340 S * 6/2019 Barlettano D23/333

OTHER PUBLICATIONS

Dimplex Garage Space Heater, review dateDec. 20, 2017[online], [site visited date Mar. 24, 2020]. Available from internet, URL:<https://www.amazon.com/Dimplex-DGWH4031-Shop-Heater-Almond/dp/B00064NURU/ref=sr_1_13?dchild=1&keywords=dimplex+electric+space+heater&qid=1585103406&sr=8-13> > (Year: 2017).*

NewAir Garage Heater, review dateJul. 4, 2017[online], [site visited dateMar. 24, 2020]. Available from internet, URL:<https://www.amazon.com/NewAir-G73-Hardwired-Electric-Garage/dp/B000TK2SWO/ref=sr_1_19?dchild=1&keywords=ceiling%2Bmounted%2Bspace%2Bheater&qid=1585095386&sr=8-19&th=1>> (Year: 2017).*

* cited by examiner

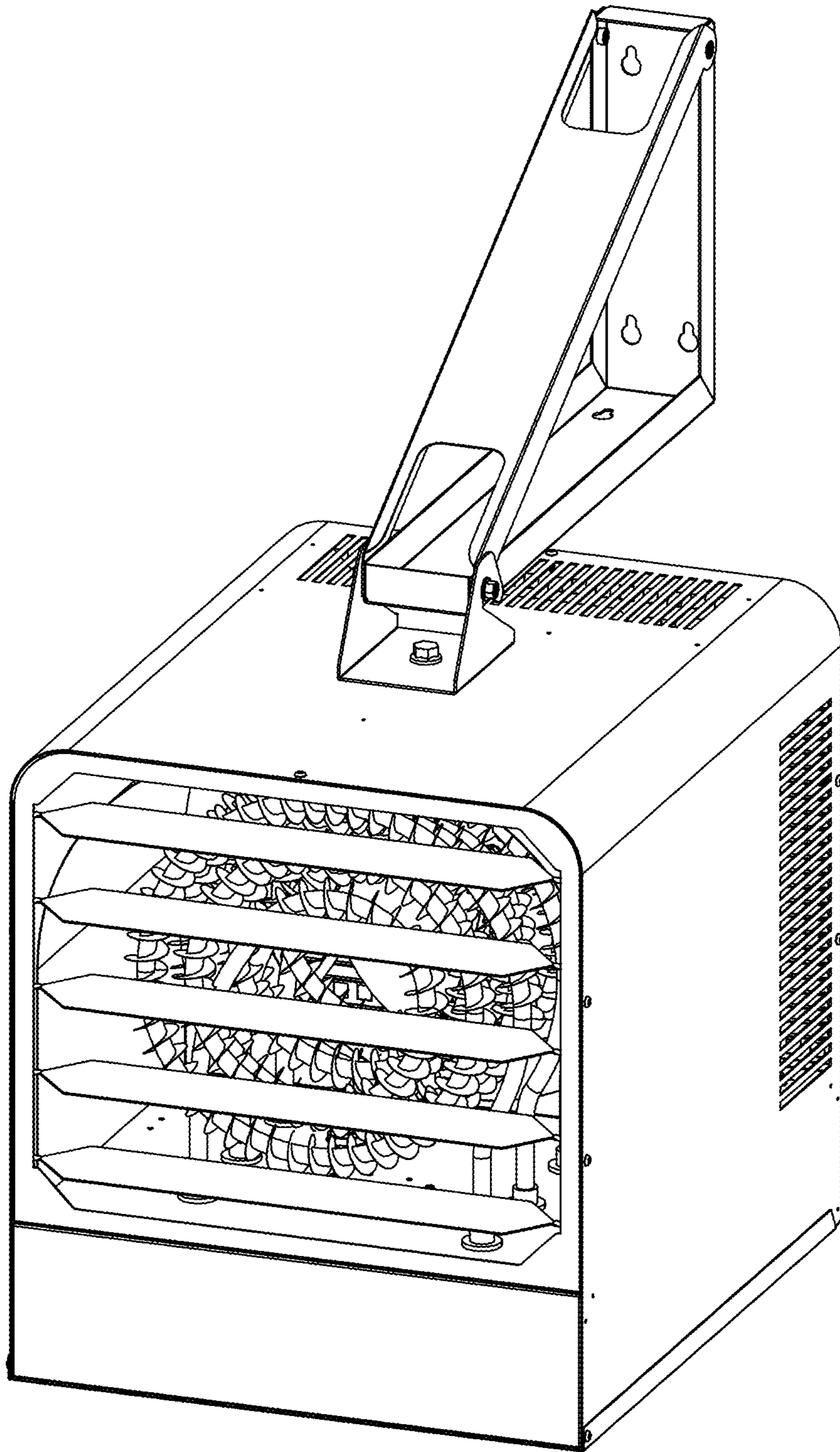


FIG. 1

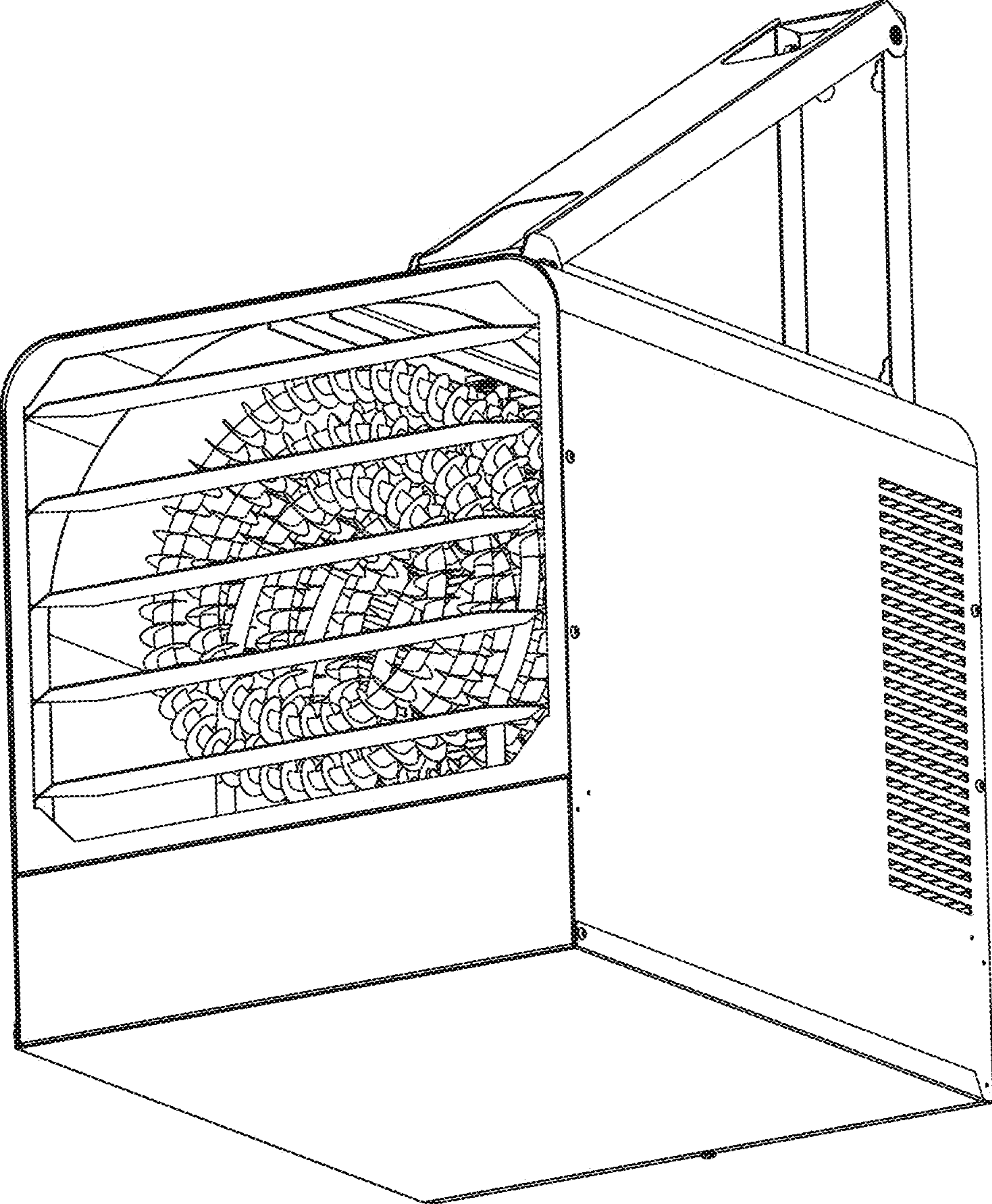


FIG. 2

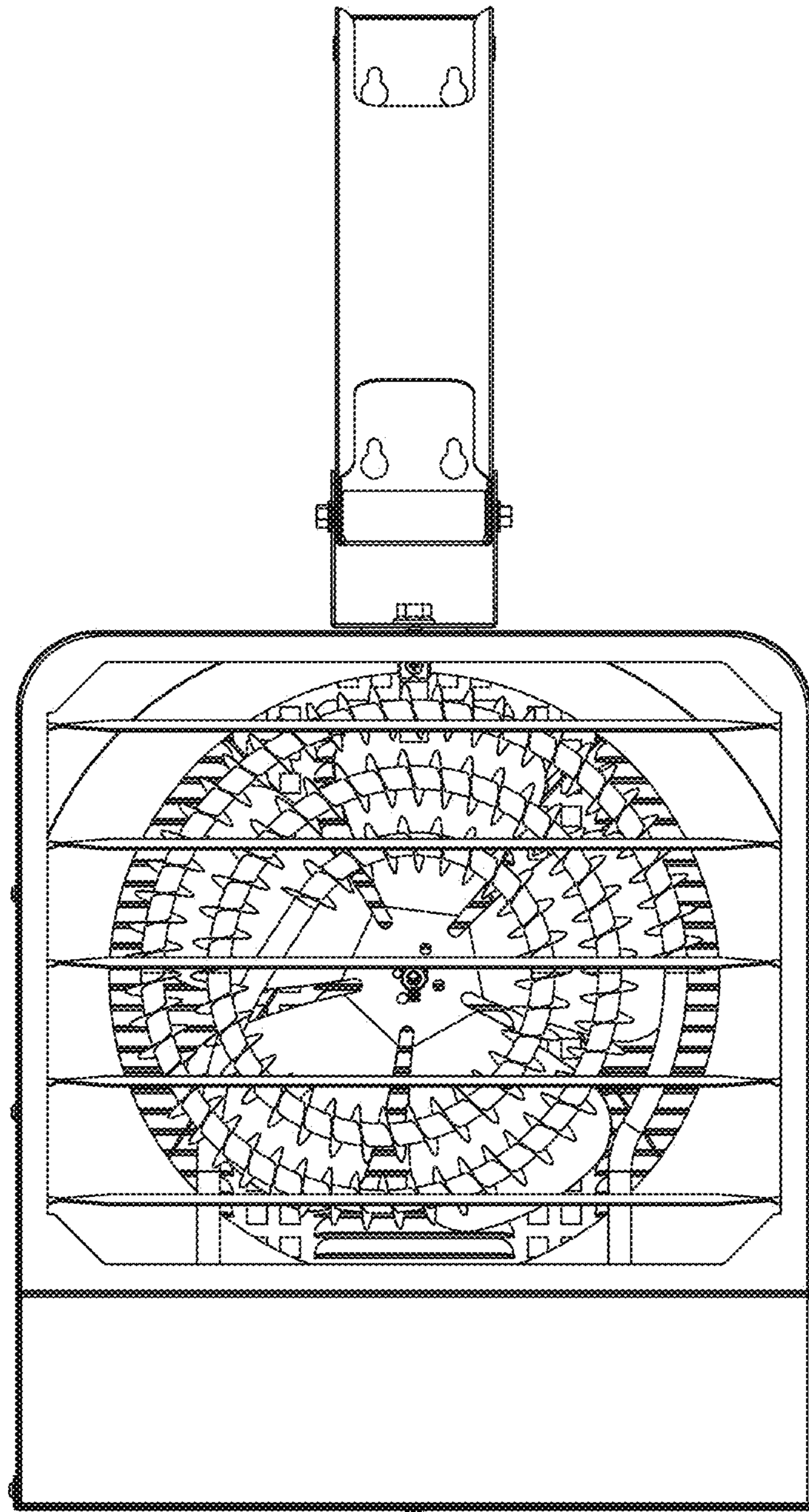


FIG. 3

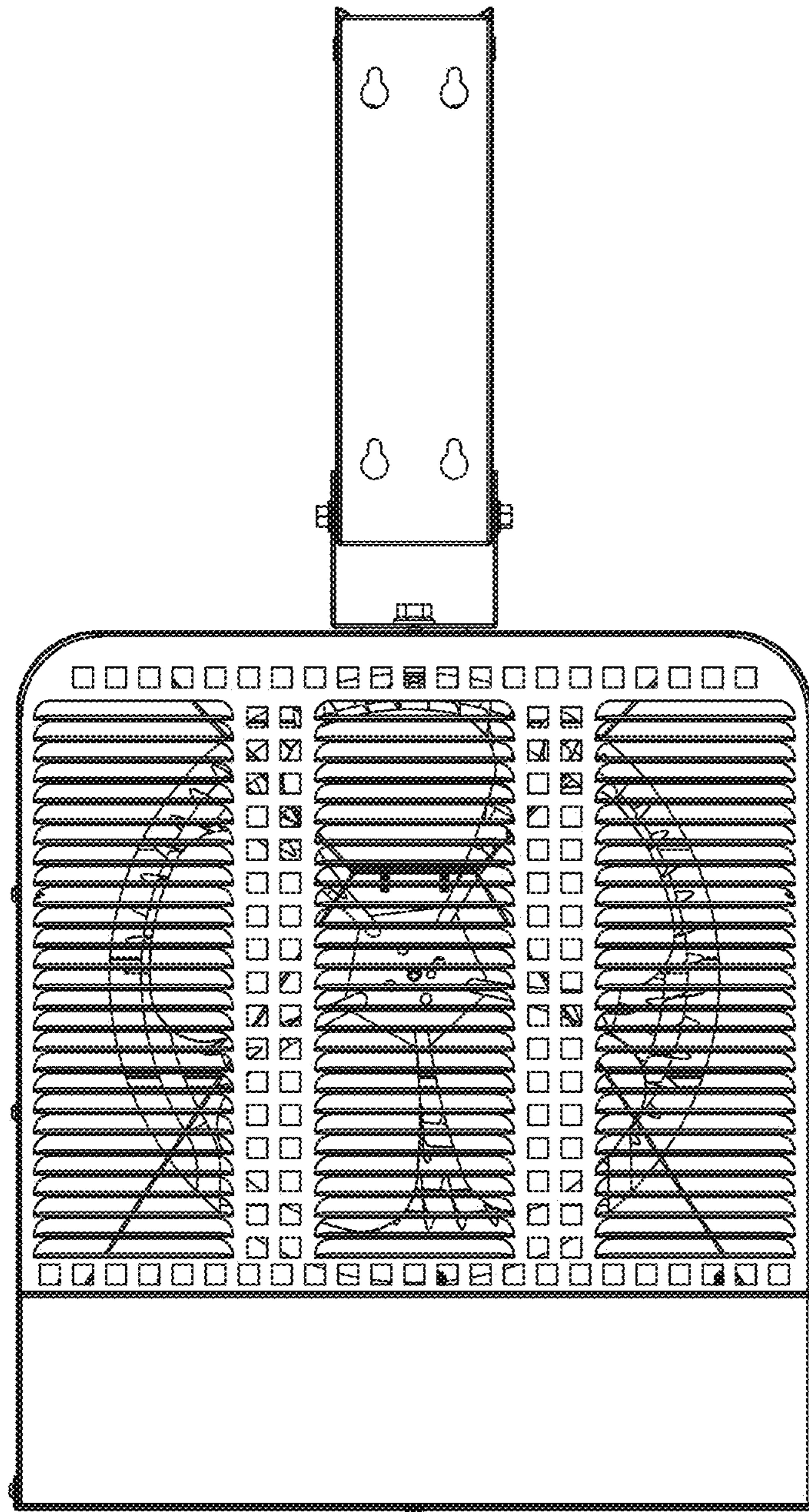


FIG. 4

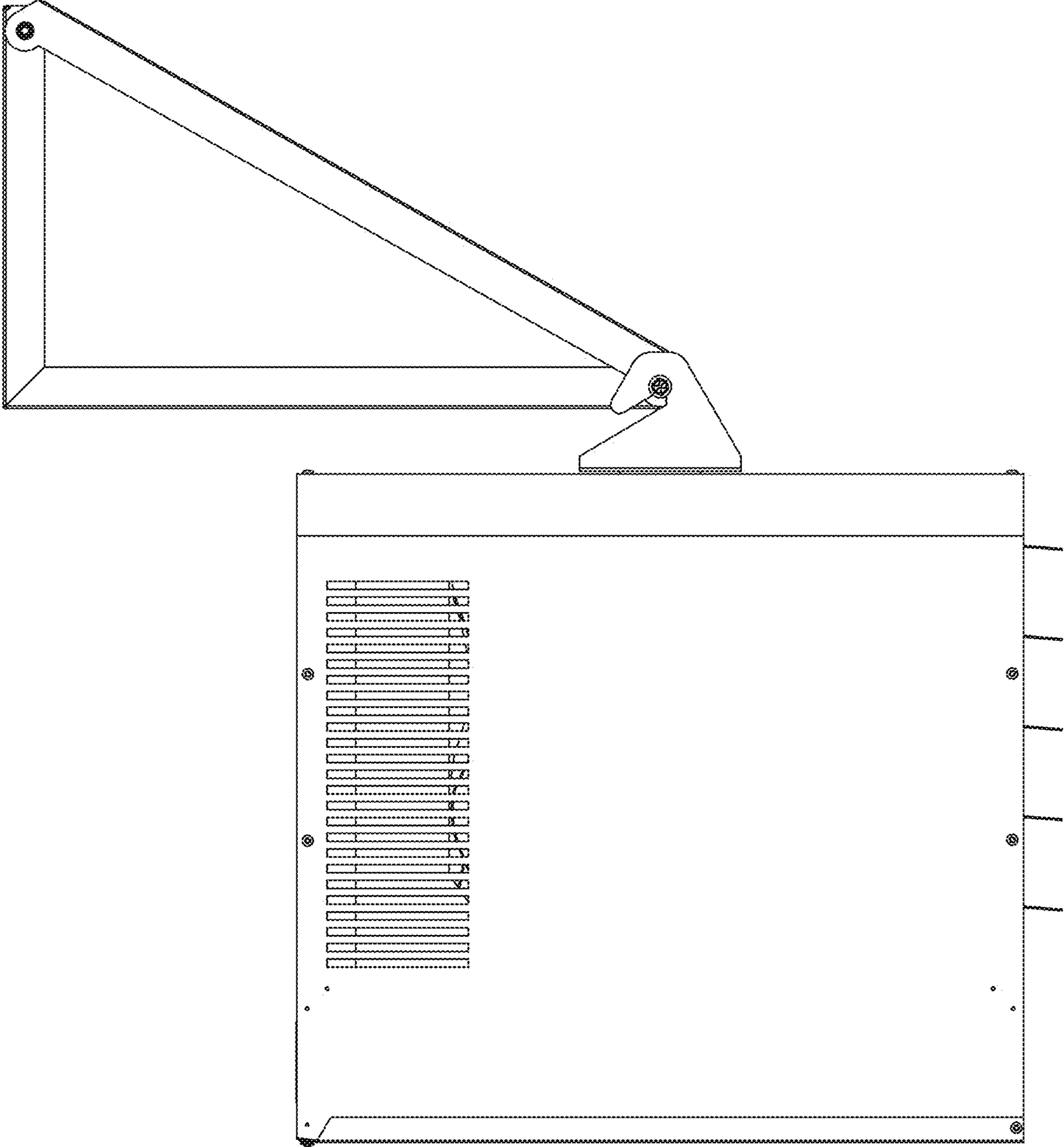


FIG. 5

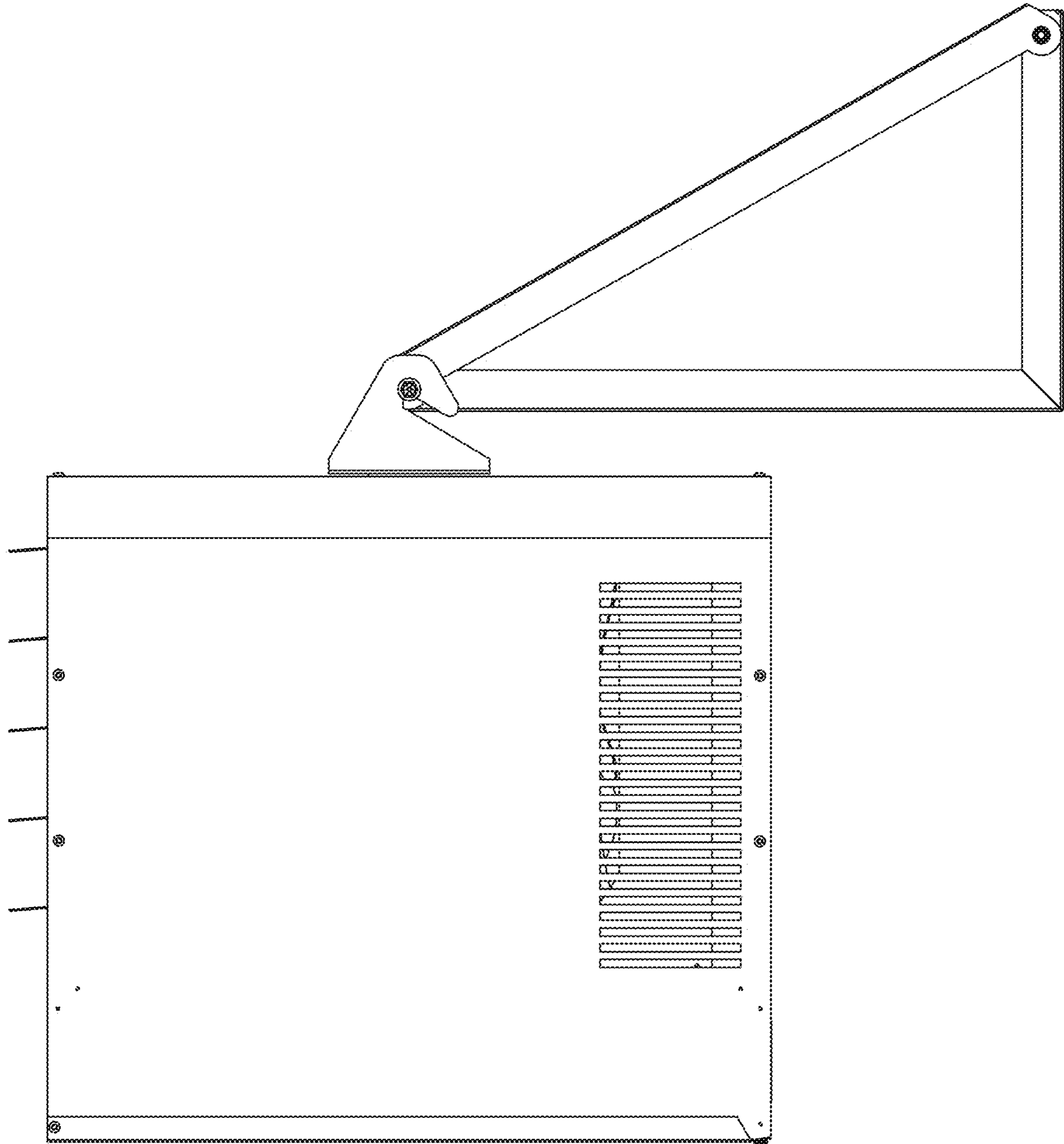


FIG. 6

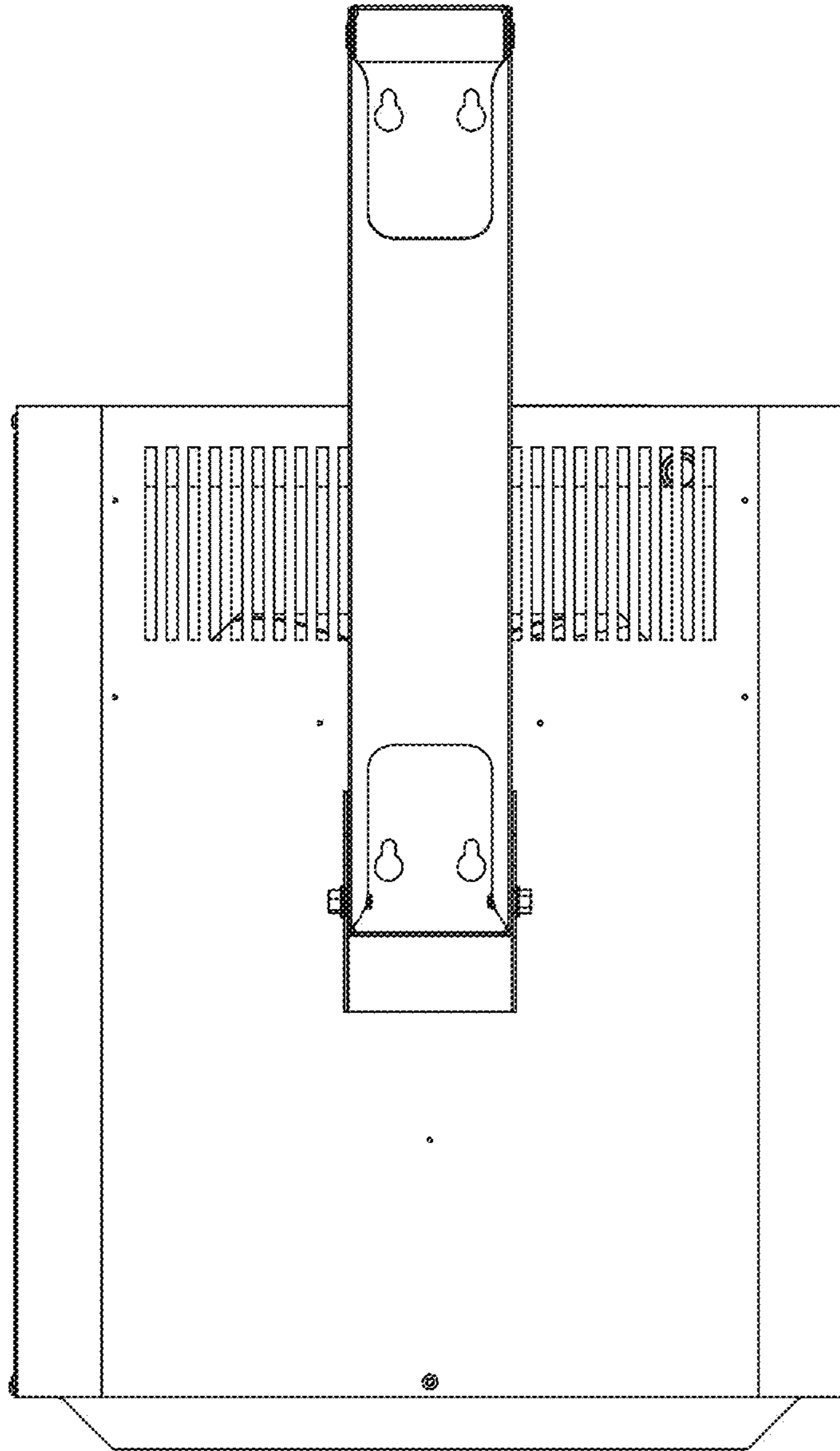


FIG. 7

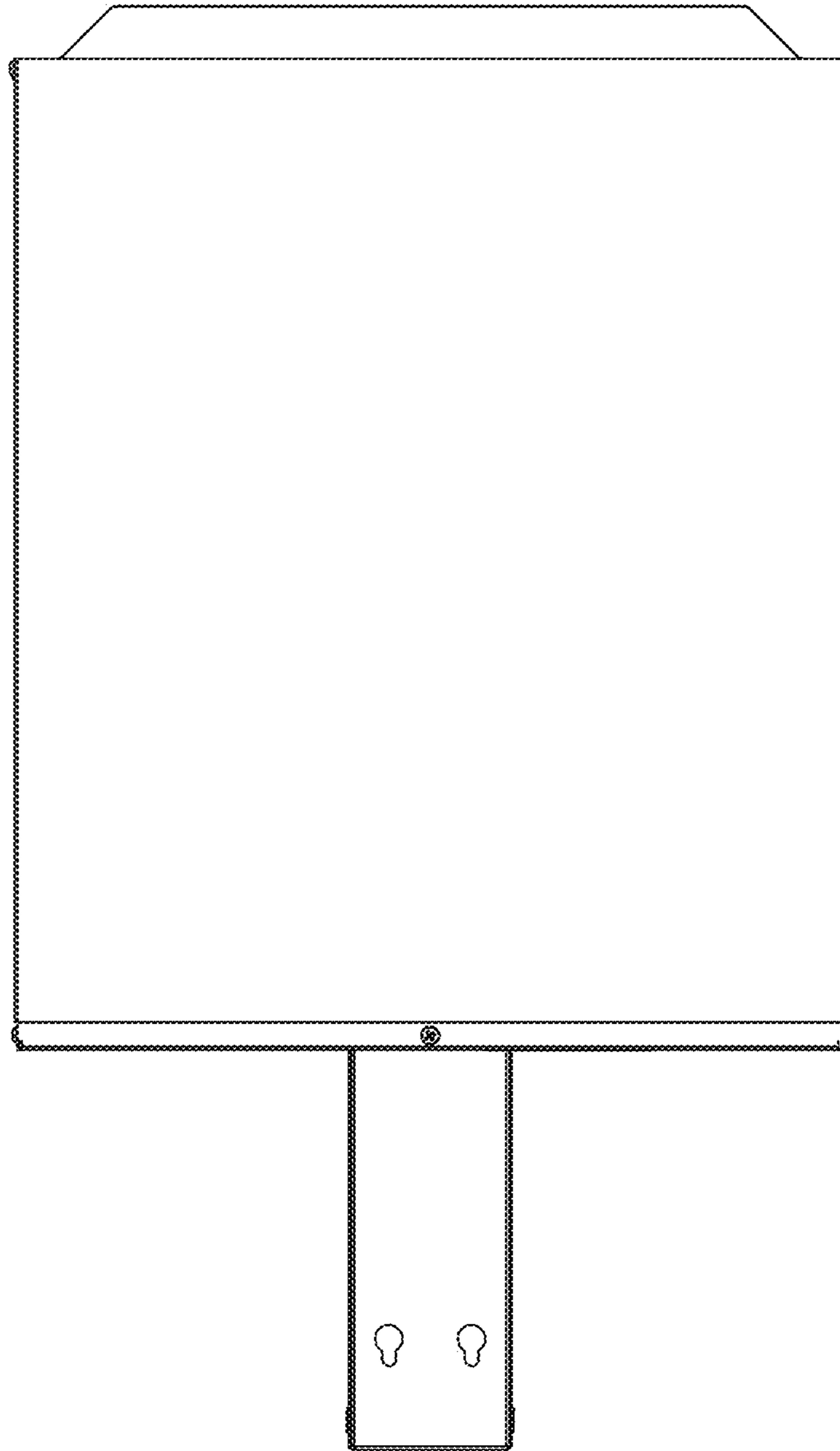


FIG. 8