



US00D891592S

(12) **United States Design Patent**
Berschin

(10) **Patent No.:** **US D891,592 S**

(45) **Date of Patent:** **** Jul. 28, 2020**

(54) **TOILET**

(71) Applicant: **Evac GmbH**, Wedel (DE)

(72) Inventor: **Alexander Berschin**, Hamburg (DE)

(73) Assignee: **Evac GmbH**, Wedel (DE)

(**) Term: **15 Years**

(21) Appl. No.: **29/683,617**

(22) Filed: **Mar. 14, 2019**

(30) **Foreign Application Priority Data**

Sep. 14, 2018 (EM) 005640745-0001

(51) **LOC (12) Cl.** **23-02**

(52) **U.S. Cl.**
USPC **D23/300**

(58) **Field of Classification Search**
USPC D23/295, 301, 303, 309, 313
CPC A47K 11/00; B64D 11/02
See application file for complete search history.

(56) **References Cited**

U.S. PATENT DOCUMENTS

D465,562 S * 11/2002 Moore D23/295
D610,241 S * 2/2010 Giovannoni D23/295

D733,848 S * 7/2015 Koyama D23/295
D796,017 S * 8/2017 Yoshioka D23/295
D866,728 S * 11/2019 Kergoet D23/295
2013/0099055 A1 * 4/2013 Pfeiffer B64C 1/18
244/118.5
2019/0352891 A1 * 11/2019 Takemoto E03D 1/01

* cited by examiner

Primary Examiner — Robert A Delehanty

(74) *Attorney, Agent, or Firm* — Kilpatrick Townsend & Stockton LLP

(57) **CLAIM**

The ornamental design for a toilet, as shown and described.

DESCRIPTION

FIG. 1 is a front perspective view of a toilet showing the claimed design;

FIG. 2 is a rear perspective view thereof;

FIG. 3 is a side perspective view thereof;

FIG. 4 is a top perspective view thereof;

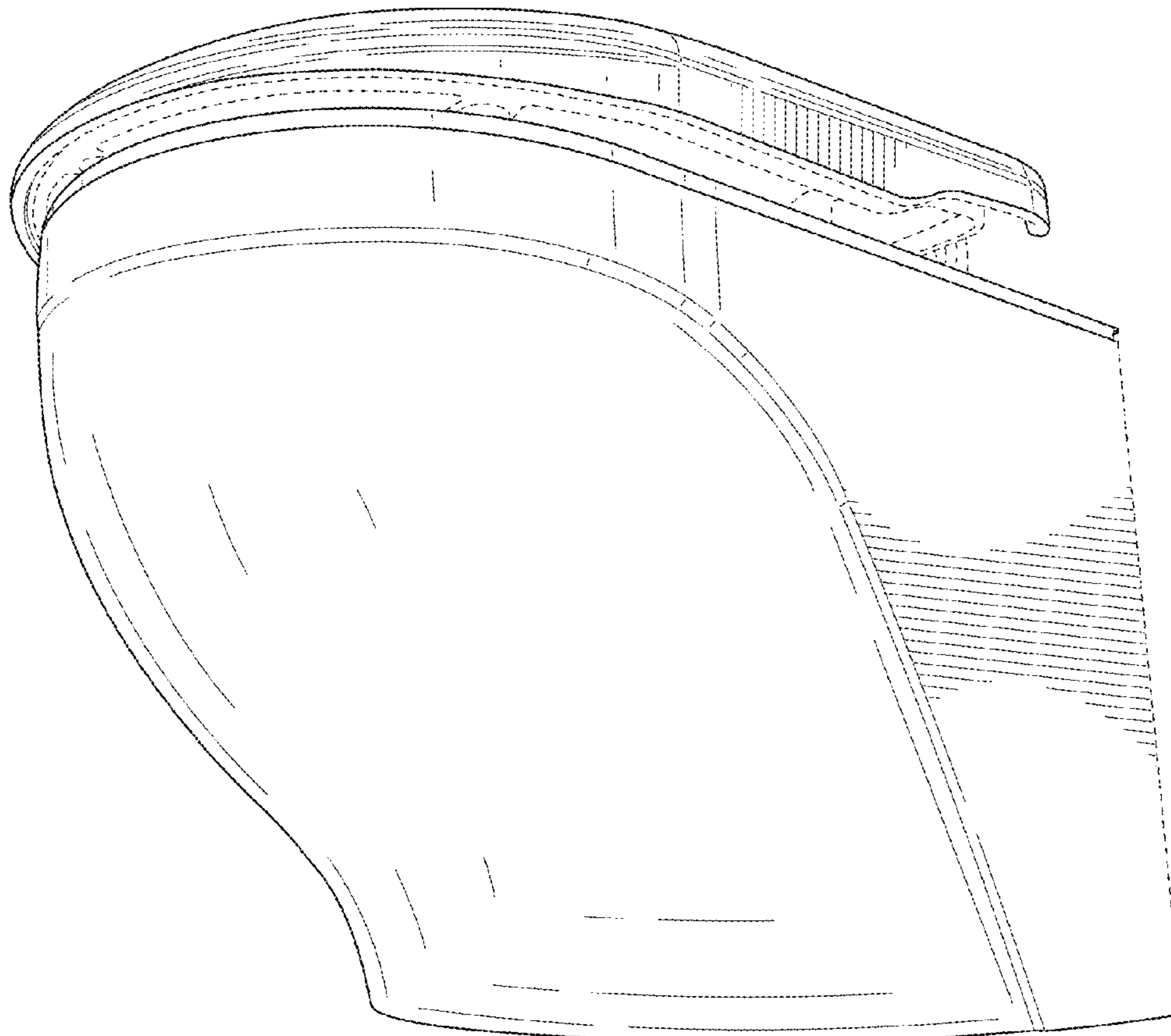
FIG. 5 is a left side view thereof, the right side being a mirror image thereof;

FIG. 6 is a front view thereof; and,

FIG. 7 is a top view thereof.

The broken lines are included for the purpose of illustrating the unclaimed portions of the toilet and form no part of the claimed design.

1 Claim, 7 Drawing Sheets



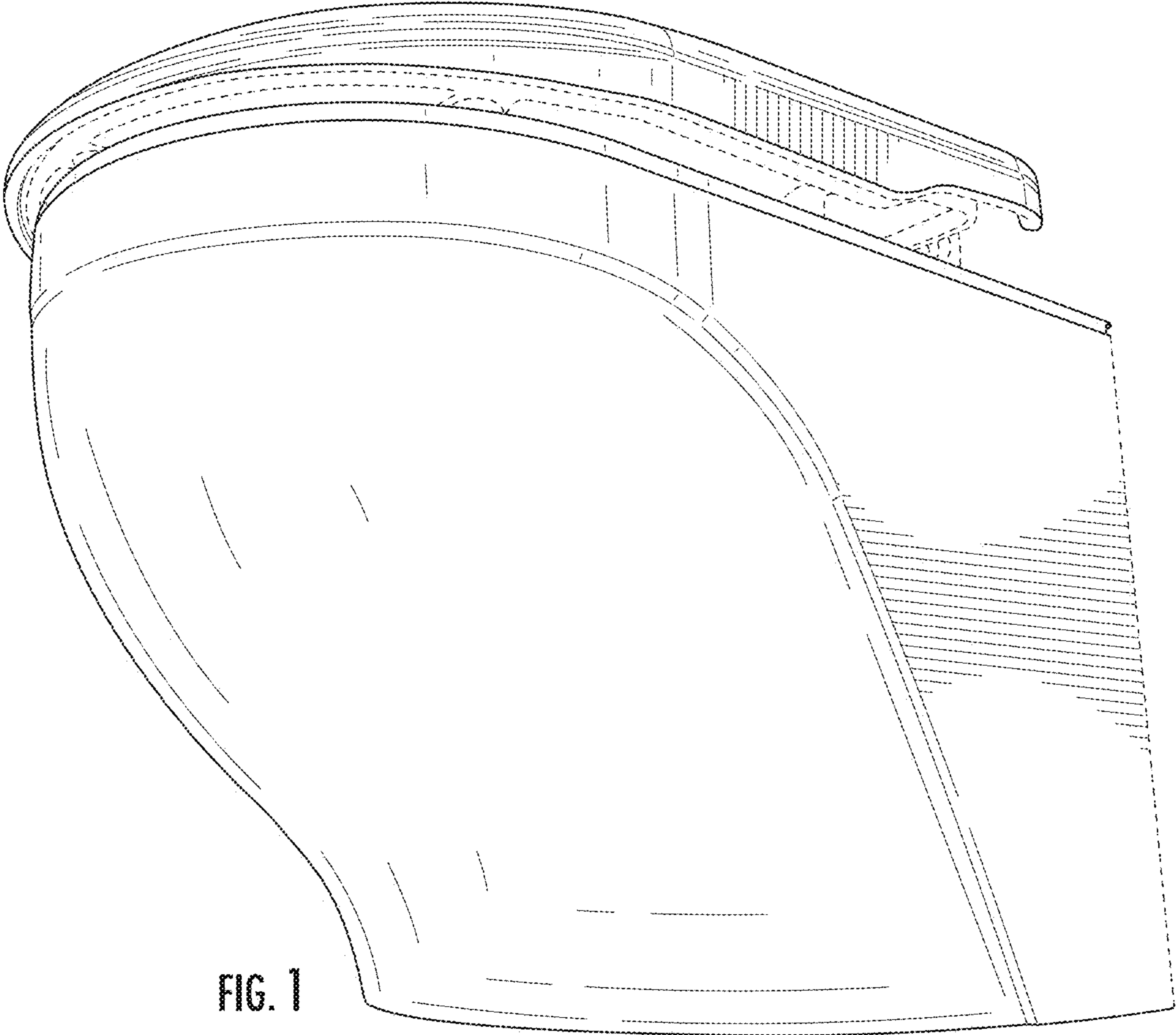


FIG. 1

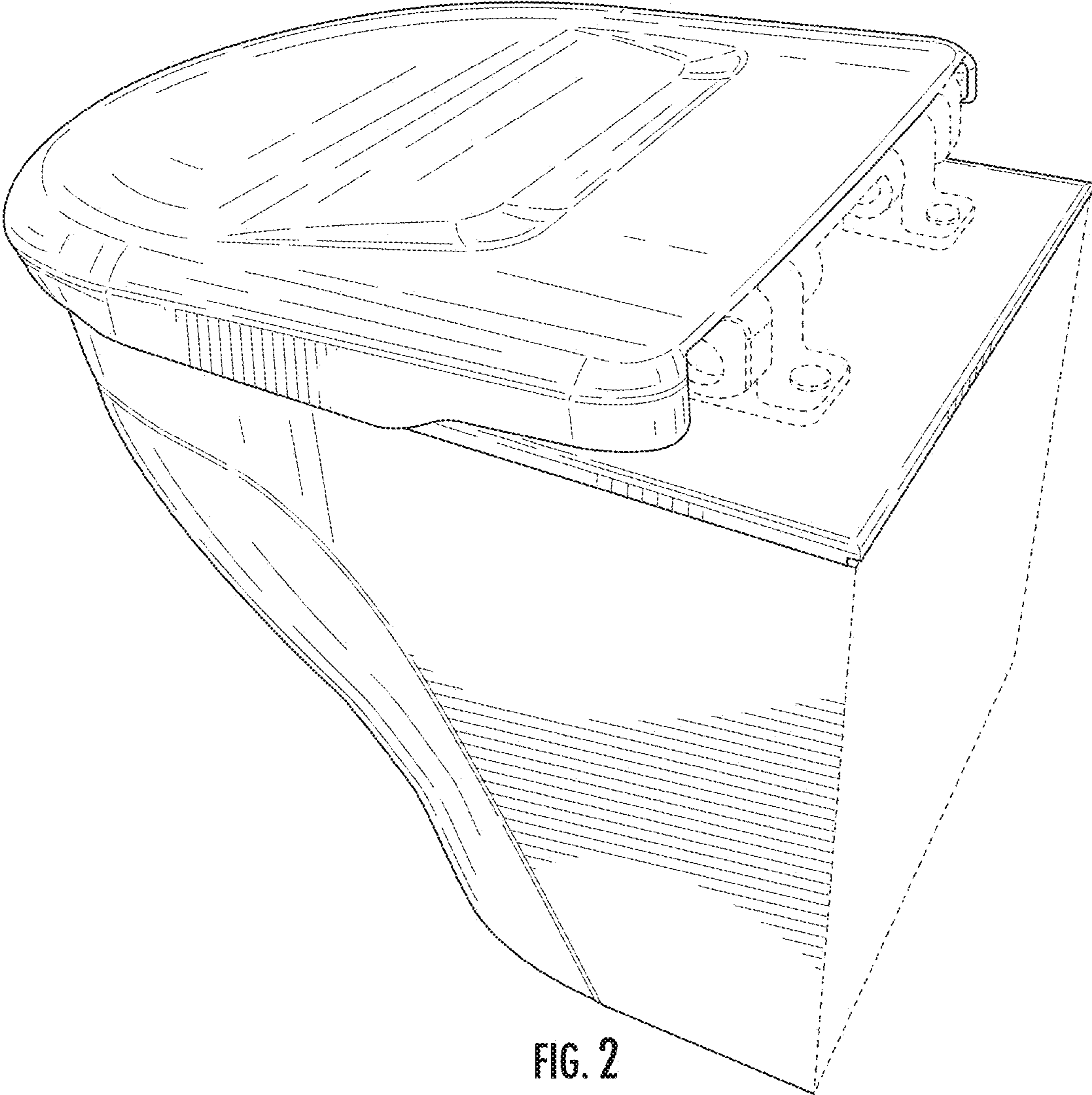


FIG. 2

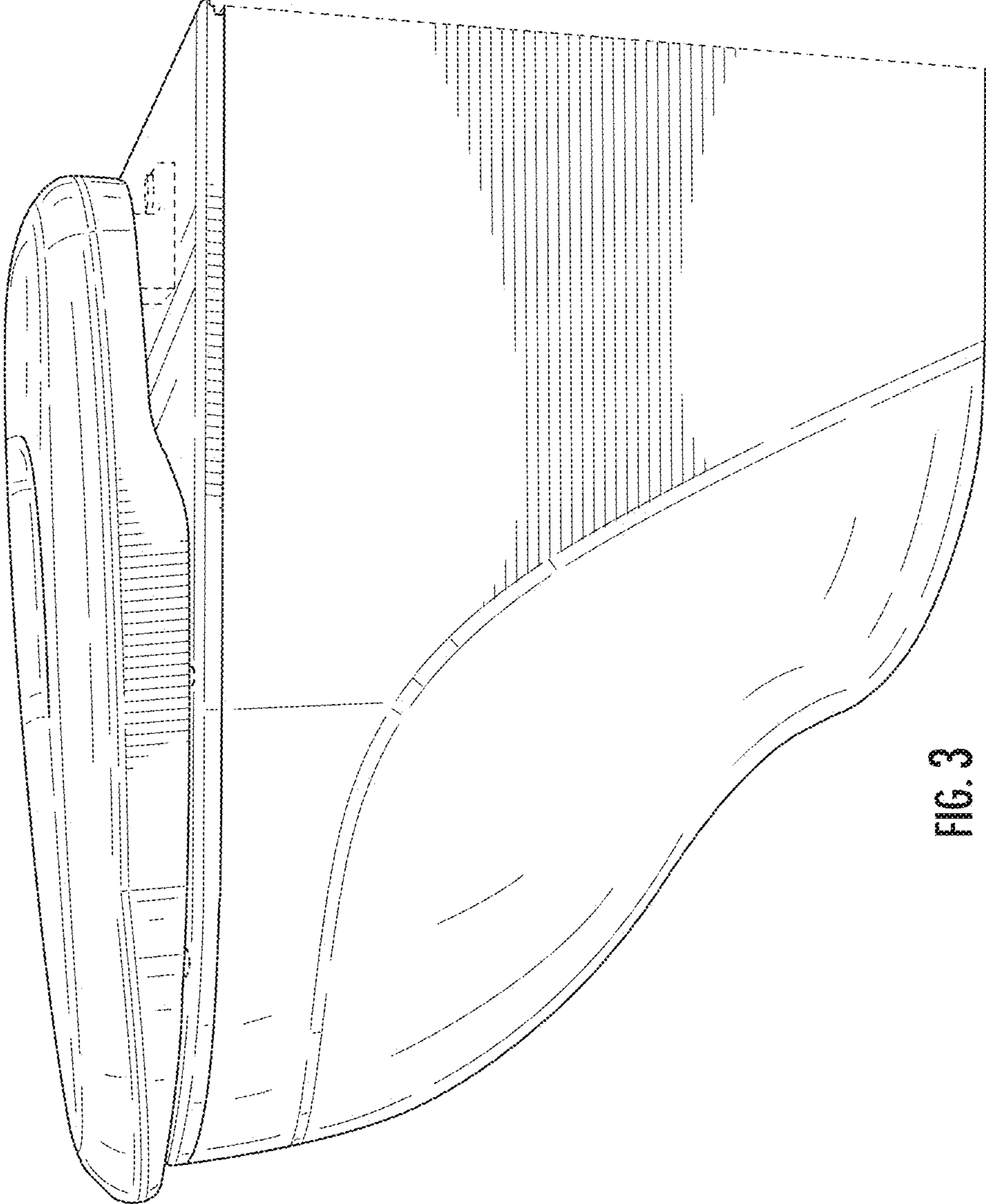


FIG. 3

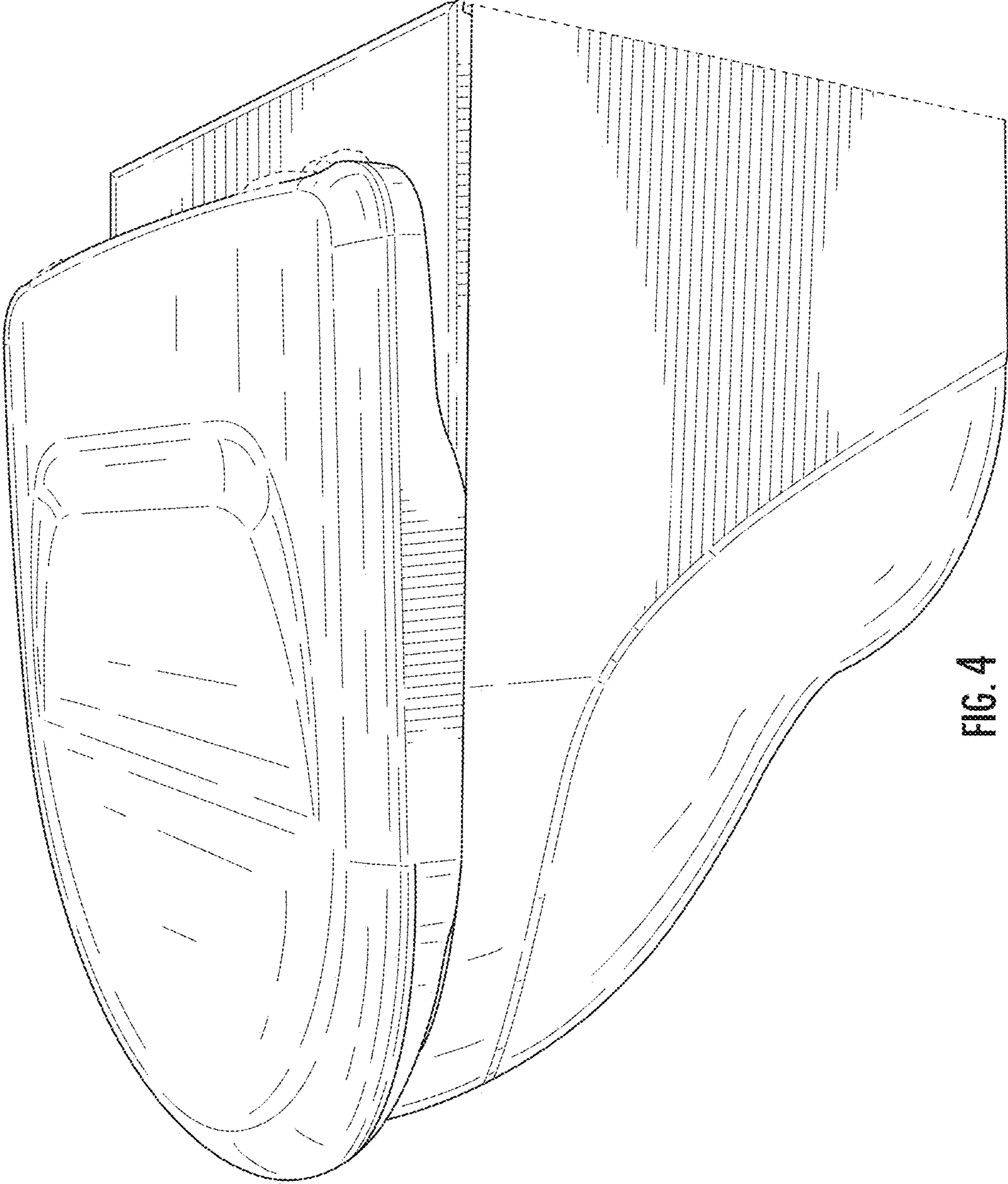


FIG. 4

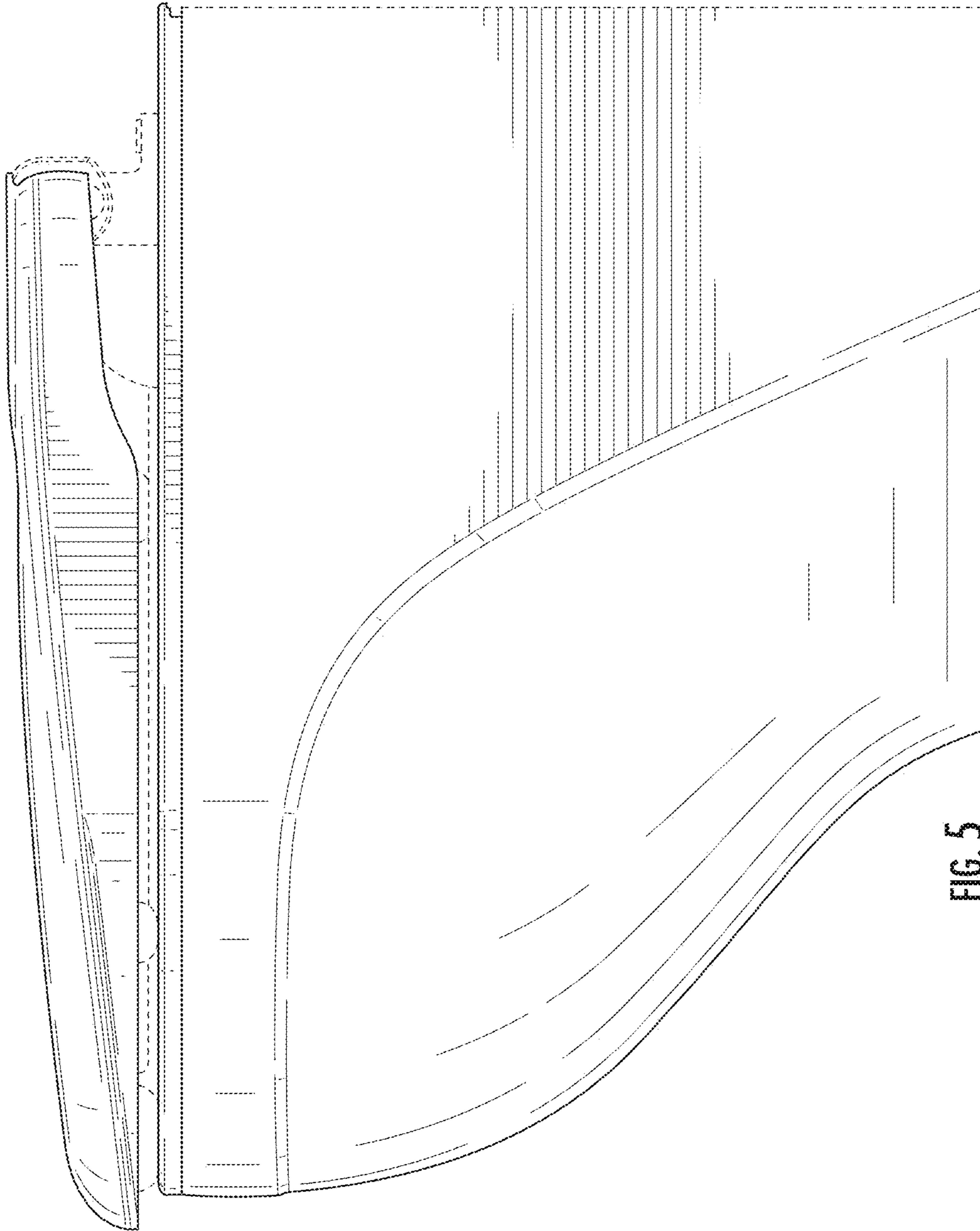


FIG. 5

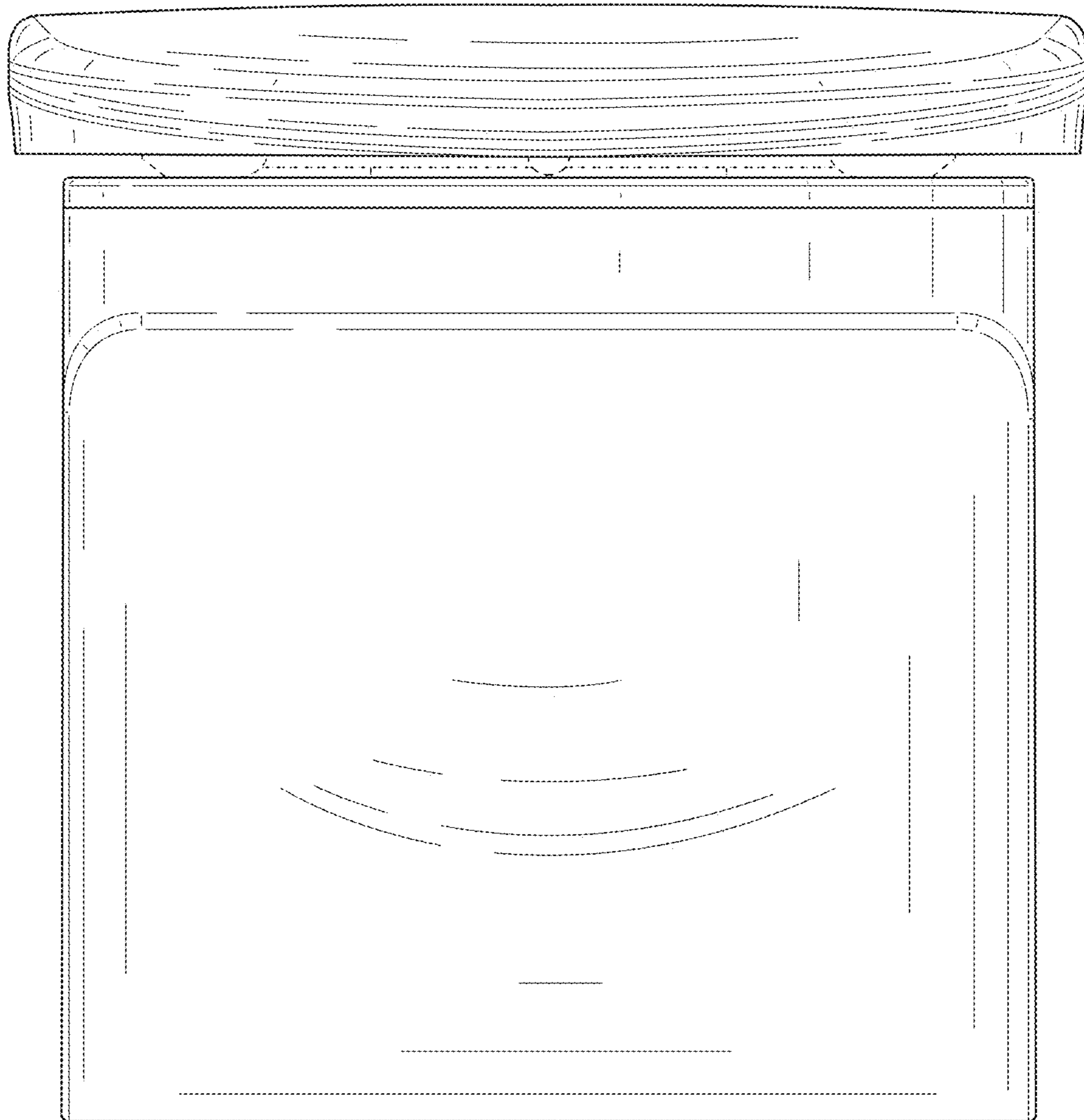


FIG. 6

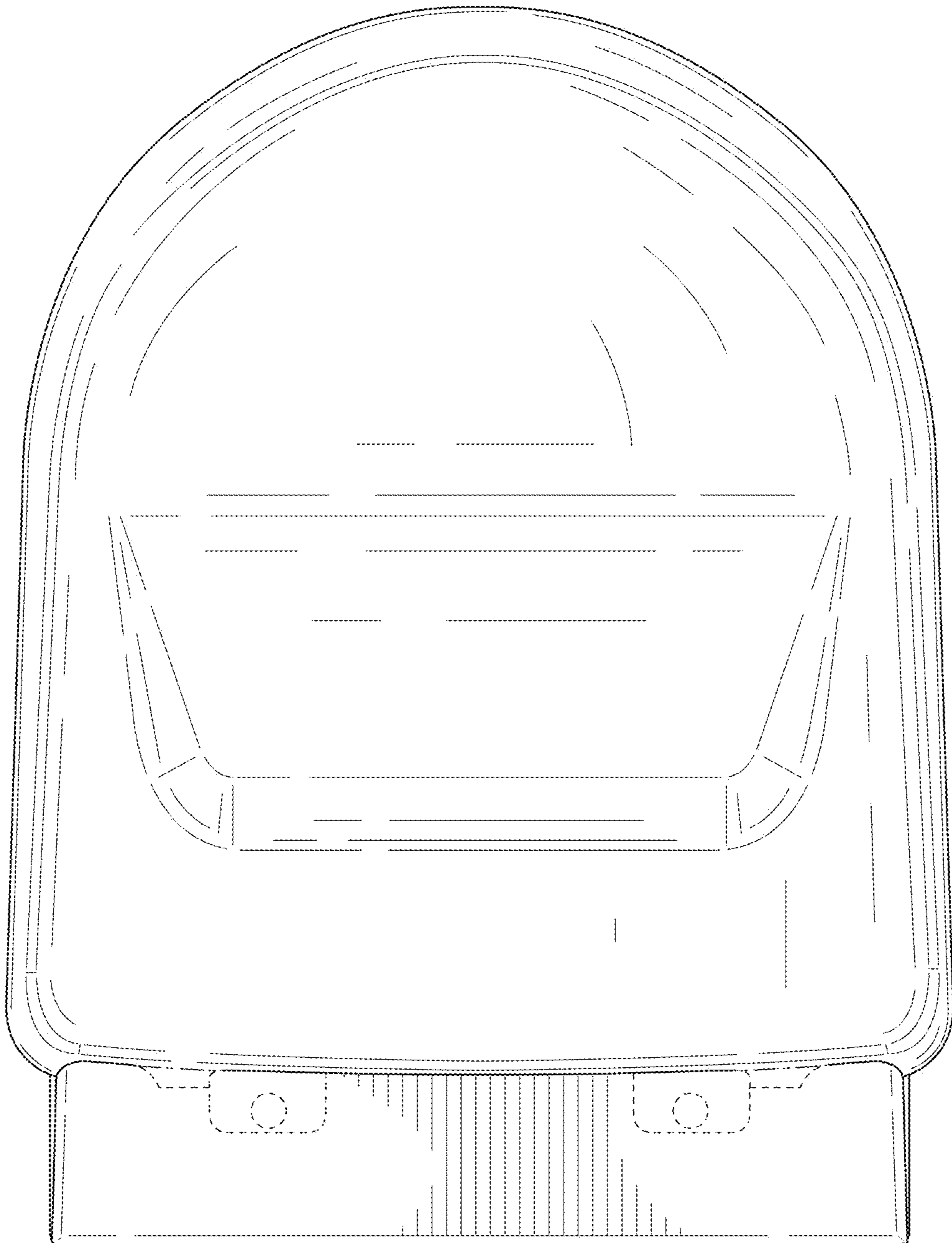


FIG. 7