



US00D891590S

(12) **United States Design Patent** (10) **Patent No.:** **US D891,590 S**
Raju (45) **Date of Patent:** **** Jul. 28, 2020**

(54) **BATHTUB CHAIR WITH HAIR BASKET**
(71) Applicant: **Shanthakumari Raju**, Phoenix, AZ
(US)
(72) Inventor: **Shanthakumari Raju**, Phoenix, AZ
(US)

5,937,454 A 8/1999 Drew
5,940,900 A 8/1999 Wells
6,018,826 A * 2/2000 Yang A47K 3/064
4/572.1
D429,039 S * 8/2000 Calhoun D30/158
6,804,842 B1 10/2004 Johnson
(Continued)

(**) Term: **15 Years**
(21) Appl. No.: **29/643,915**
(22) Filed: **Apr. 12, 2018**
(51) **LOC (12) Cl.** **23-02**
(52) **U.S. Cl.**
USPC **D23/277**
(58) **Field of Classification Search**
USPC D6/333; D23/270, 271, 275, 276, 277,
D23/278, 279, 280.1, 280.2, 280.3, 280.4,
D23/289, 304, 305, 307; D24/204
CPC A47K 3/00; A47K 3/001; A47K 3/002;
A47K 3/003; A47K 3/004; A47K 3/005;
A47K 3/006; A47K 3/02; A47K 3/022;
A47K 3/024; A47K 3/03; A47K 3/034;
A47K 3/04; A47K 3/062; A47K 3/064;
A47K 3/07; A47K 3/074; A47K 3/12;
A47K 3/122; A47K 3/125; A47K 3/127
See application file for complete search history.

(56) **References Cited**
U.S. PATENT DOCUMENTS
2,560,997 A 2/1947 Thompson
2,664,142 A 2/1949 Scheuerman
4,596,241 A 6/1986 Neudorfer
4,974,268 A 12/1990 Cors
5,297,300 A * 3/1994 Sheu A47K 3/127
297/325
5,377,366 A 1/1995 Boyd
D362,490 S * 9/1995 McAllister D23/283
5,463,780 A * 11/1995 Harris A47K 3/006
4/555
5,599,063 A 2/1997 Lister

OTHER PUBLICATIONS

ComfiTub—The Perfect Way to Relax in Your Bath Tub, [online video]; [video published to the Internet on Jun. 26, 2018]; [retrieved from the Internet on May 4, 2020]; URL: <https://www.youtube.com/watch?v=2HFk69VPsmM>. (2 pages). (Year: 2018).*

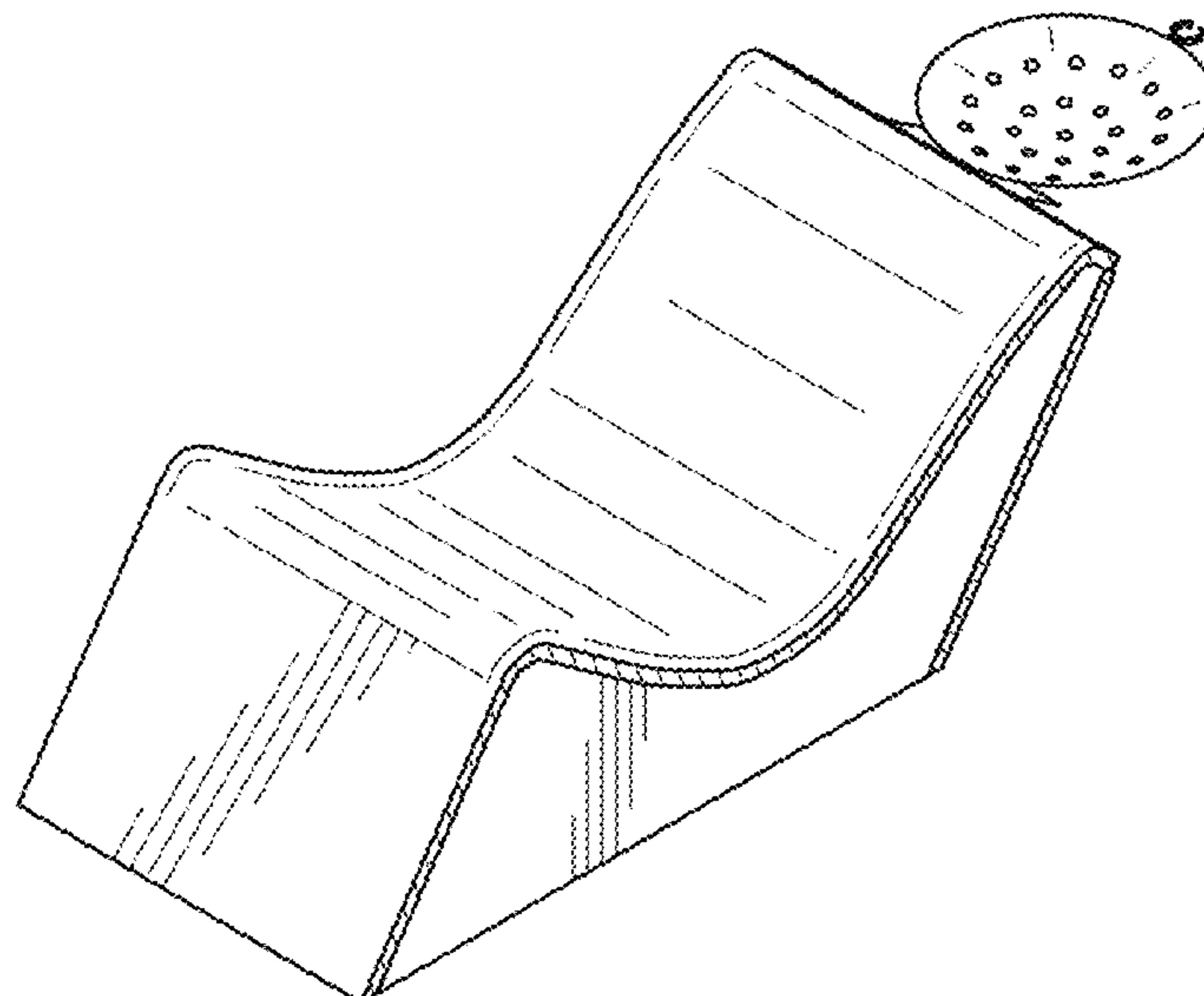
Primary Examiner — Jasmine Mlinarcik
(74) *Attorney, Agent, or Firm* — Mark V. Loen

(57) **CLAIM**
The ornamental design for a bathtub chair with hair basket, as shown and described.

DESCRIPTION

FIG. 1 is a front view of a bathtub chair with hair basket; the back view being a mirror image;
FIG. 2 is a right side view thereof;
FIG. 3 is a top view thereof;
FIG. 4 is a left side view thereof;
FIG. 5 is a bottom view thereof;
FIG. 6 is an isometric view thereof; and,
FIG. 7 is an isometric view thereof with a bathtub and a wash sprayer drawn in broken lines showing the bathtub chair with hair basket in a condition of use.
The features drawn in evenly segmented lines in FIG. 7 are for purposes of illustrating environmental structure associated with the claimed design in condition of use, and which forms no part of the claimed design. The dash-dot-dash broken line shown in FIG. 5 defines the bounds of the claim and forms no part of the claimed design.

1 Claim, 4 Drawing Sheets



(56)

References Cited

U.S. PATENT DOCUMENTS

7,810,180 B2 10/2010 List
8,316,476 B2 11/2012 Gardenier
RE45,820 E * 12/2015 Jiang D23/277
9,545,350 B2 1/2017 Walters
D865,981 S * 11/2019 Le D24/204
2007/0174957 A1 * 8/2007 Greeno A47K 3/022
4/589
2016/0206108 A1 * 7/2016 Muller A47K 3/12
2020/0009012 A1 * 1/2020 Izumitani A61H 33/0091
2020/0054176 A1 * 2/2020 Malassigne A47K 3/125

* cited by examiner

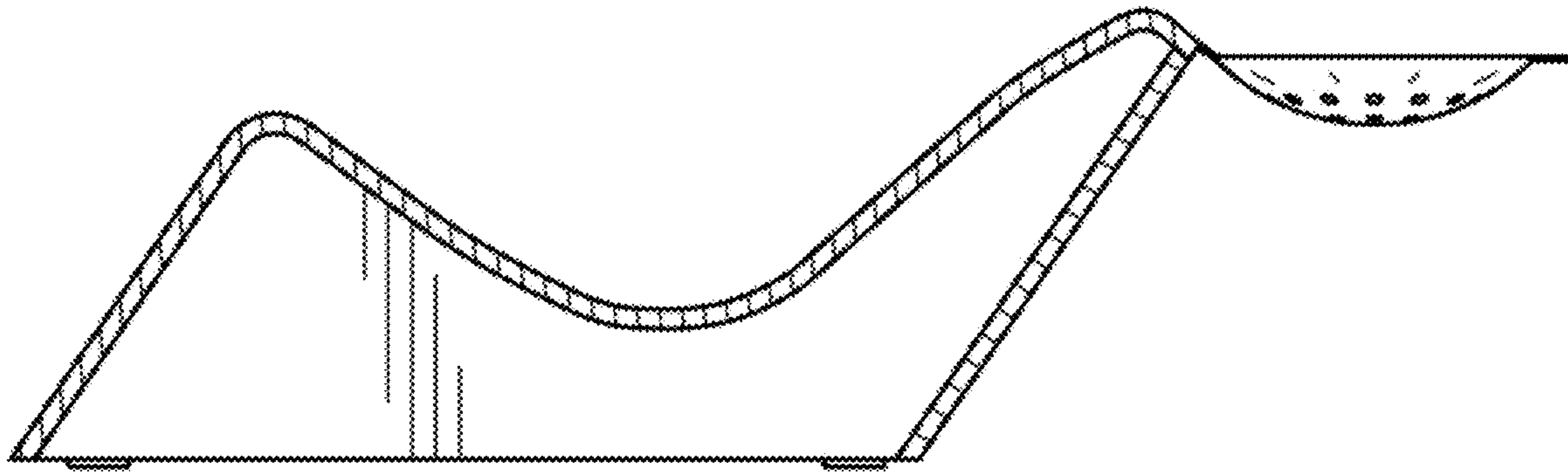


FIG. 1

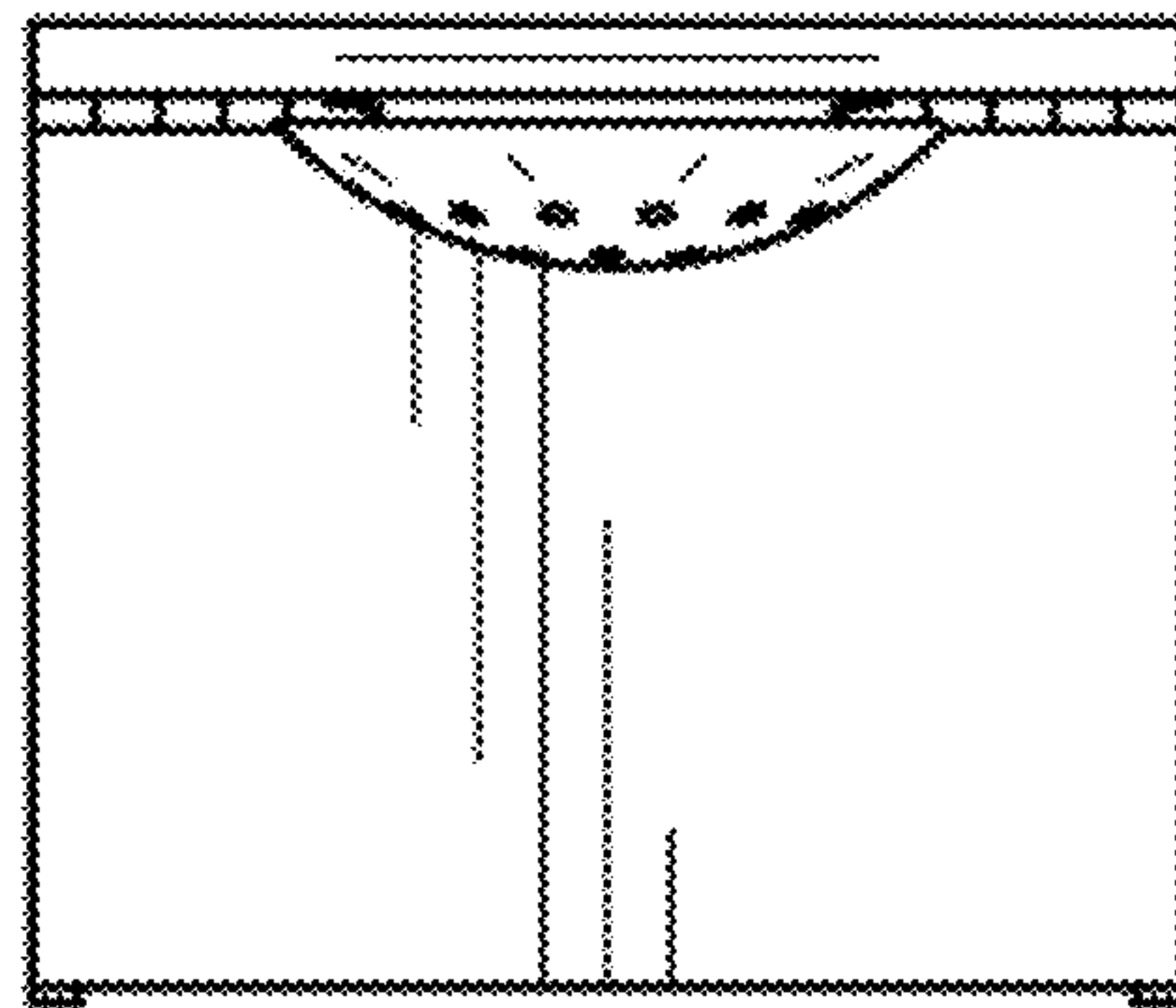


FIG. 2

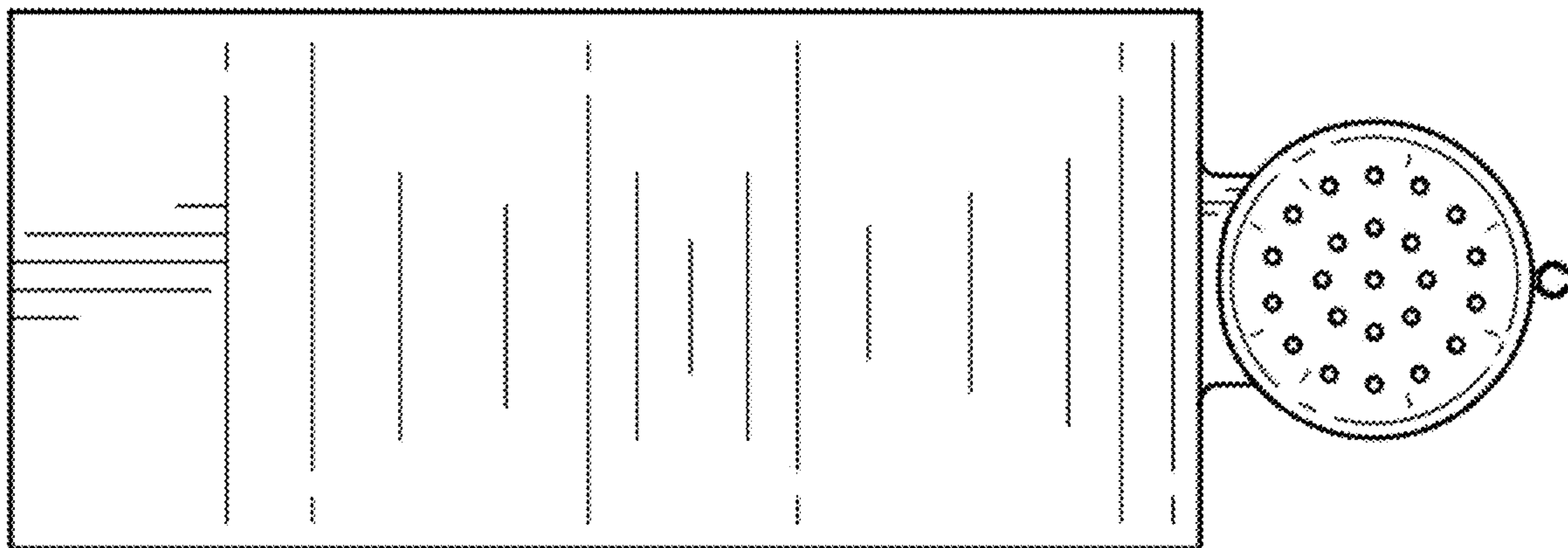


FIG. 3

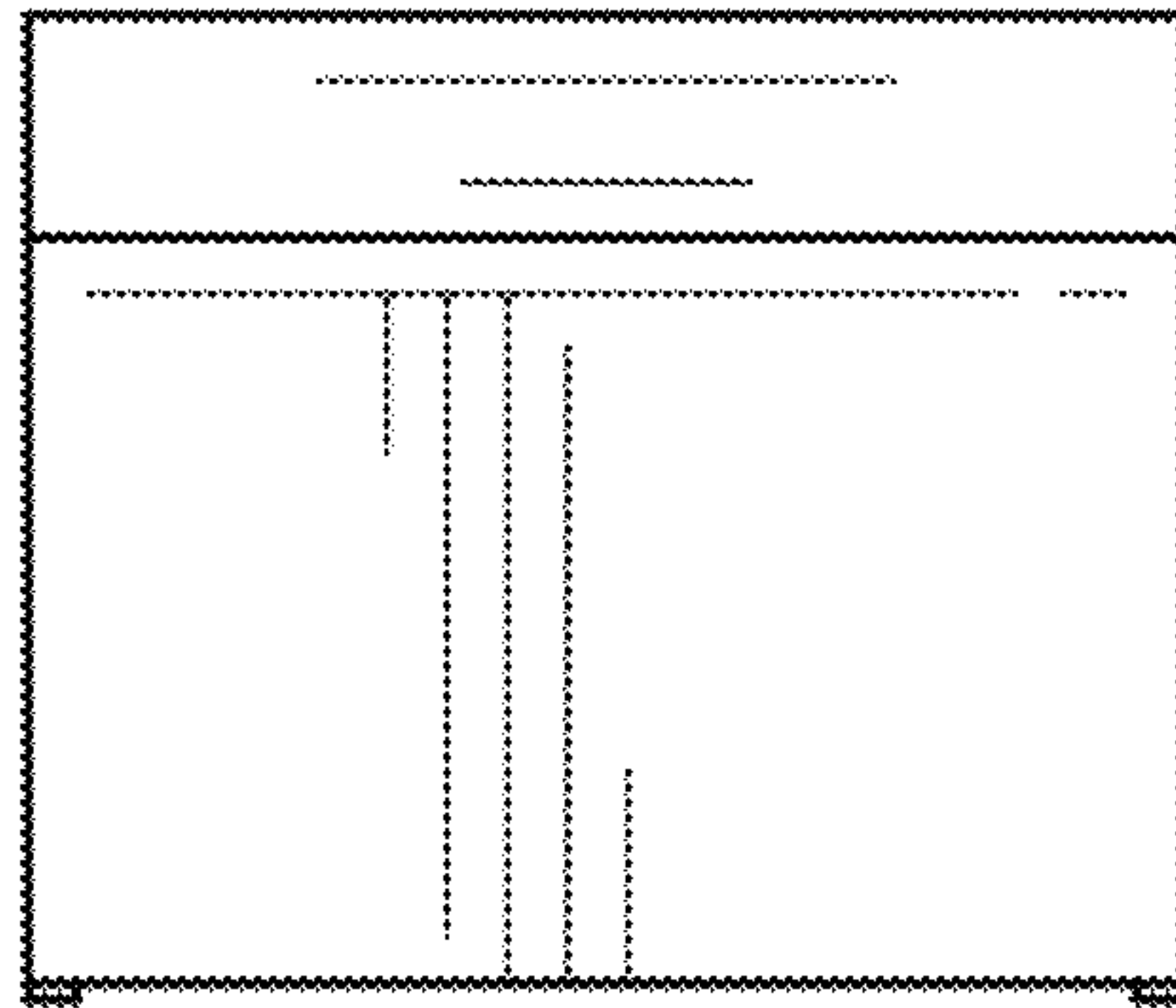


FIG. 4

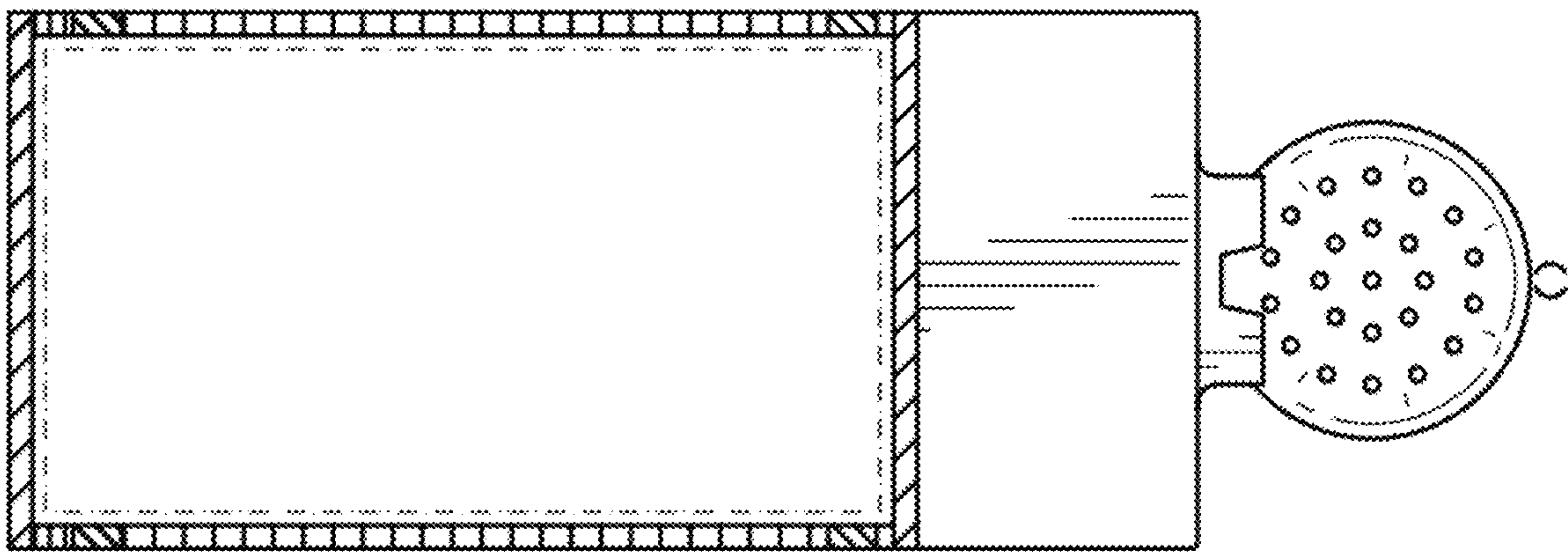


FIG. 5

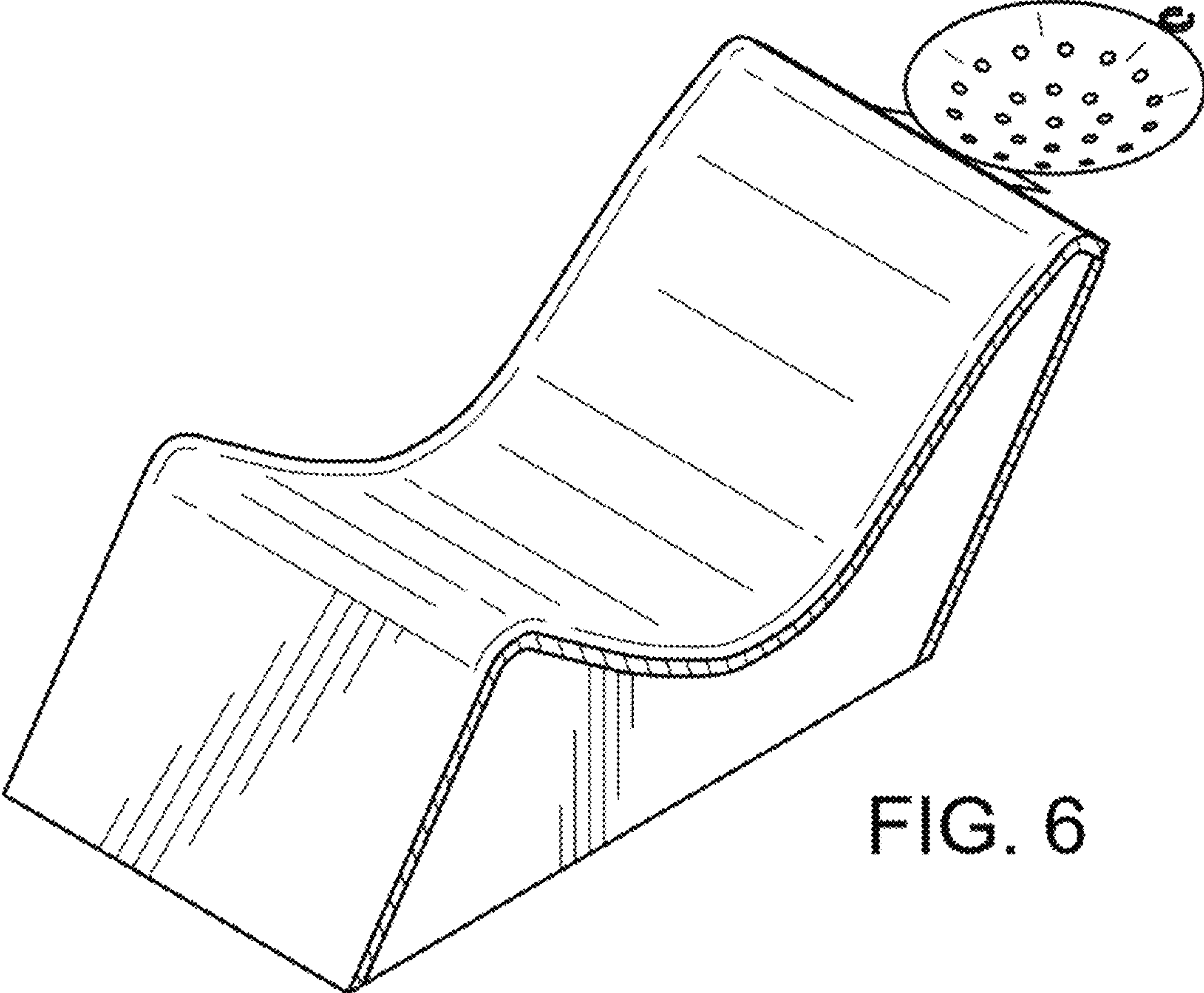


FIG. 6

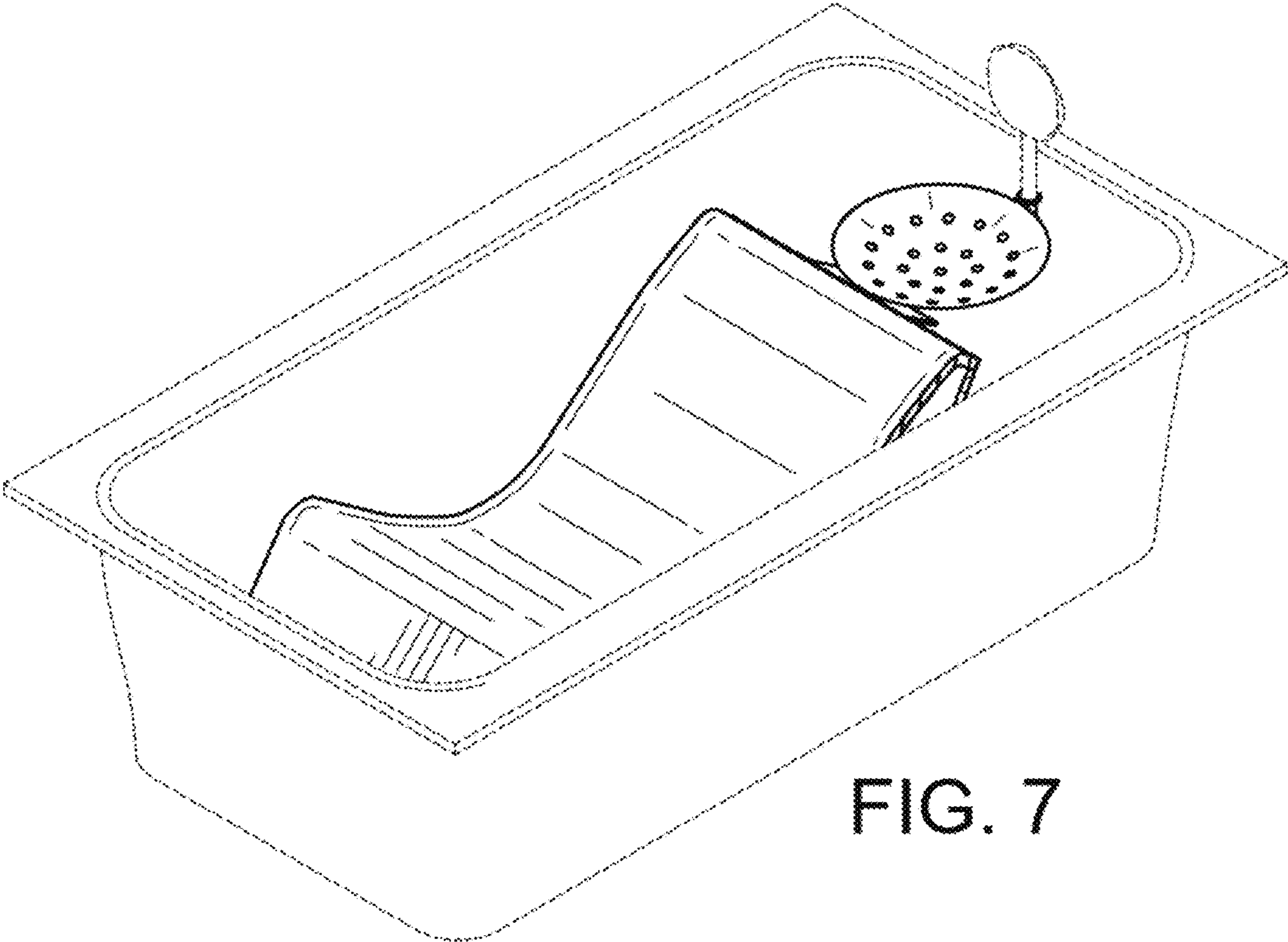


FIG. 7