



US00D891588S

(12) **United States Design Patent**
Seum et al.

(10) **Patent No.:** **US D891,588 S**
(45) **Date of Patent:** **** Jul. 28, 2020**

(54) **SHOWER MIXER TRIM**
(71) Applicant: **Grohe AG**, Hemer (DE)
(72) Inventors: **Michael Seum**, Duesseldorf (DE);
Hans Lobermeier, Menden (DE)
(73) Assignee: **Grohe AG**, Hemer (DE)
(**) Term: **15 Years**

6,877,523 B2 * 4/2005 Dempsey F16K 11/076
137/597
7,823,603 B2 * 11/2010 Cochart F16K 11/00
137/625.17
8,371,332 B2 * 2/2013 Cruickshank F16K 27/0263
137/271
9,650,768 B2 * 5/2017 Johnson E03C 1/023
D819,182 S * 5/2018 Seum D23/254
D819,183 S * 5/2018 Seum D23/254
D820,412 S * 6/2018 Seum D23/254
D820,413 S * 6/2018 Seum D23/254
2009/0108223 A1 * 4/2009 Deutsch F16K 11/0743
251/284

(21) Appl. No.: **29/607,548**

(22) Filed: **Jun. 14, 2017**

(30) **Foreign Application Priority Data**

Dec. 14, 2016 (EM) 003517036-0001

(51) **LOC (12) Cl.** **23-01**

(52) **U.S. Cl.**
USPC **D23/254**

(58) **Field of Classification Search**

USPC D23/250, 254, 238-242, 249; 137/597,
137/98, 218, 625.41, 240, 625.17, 454.6,
137/270, 271; D8/300, 308, 352-353, 31;
251/284
CPC B05B 7/12; F16K 19/00; F16K 27/0263;
F16K 11/22; F16K 11/076; F16K 11/00;
E03C 1/044; E03C 1/023
See application file for complete search history.

(56) **References Cited**

U.S. PATENT DOCUMENTS

6,427,713 B1 * 8/2002 Dempsey F16K 11/076
137/454.6
6,718,569 B2 * 4/2004 Burger E03C 1/023
137/270

* cited by examiner

Primary Examiner — Gino Colan

(74) *Attorney, Agent, or Firm* — Muncy, Geissler, Olds & Lowe, P.C.

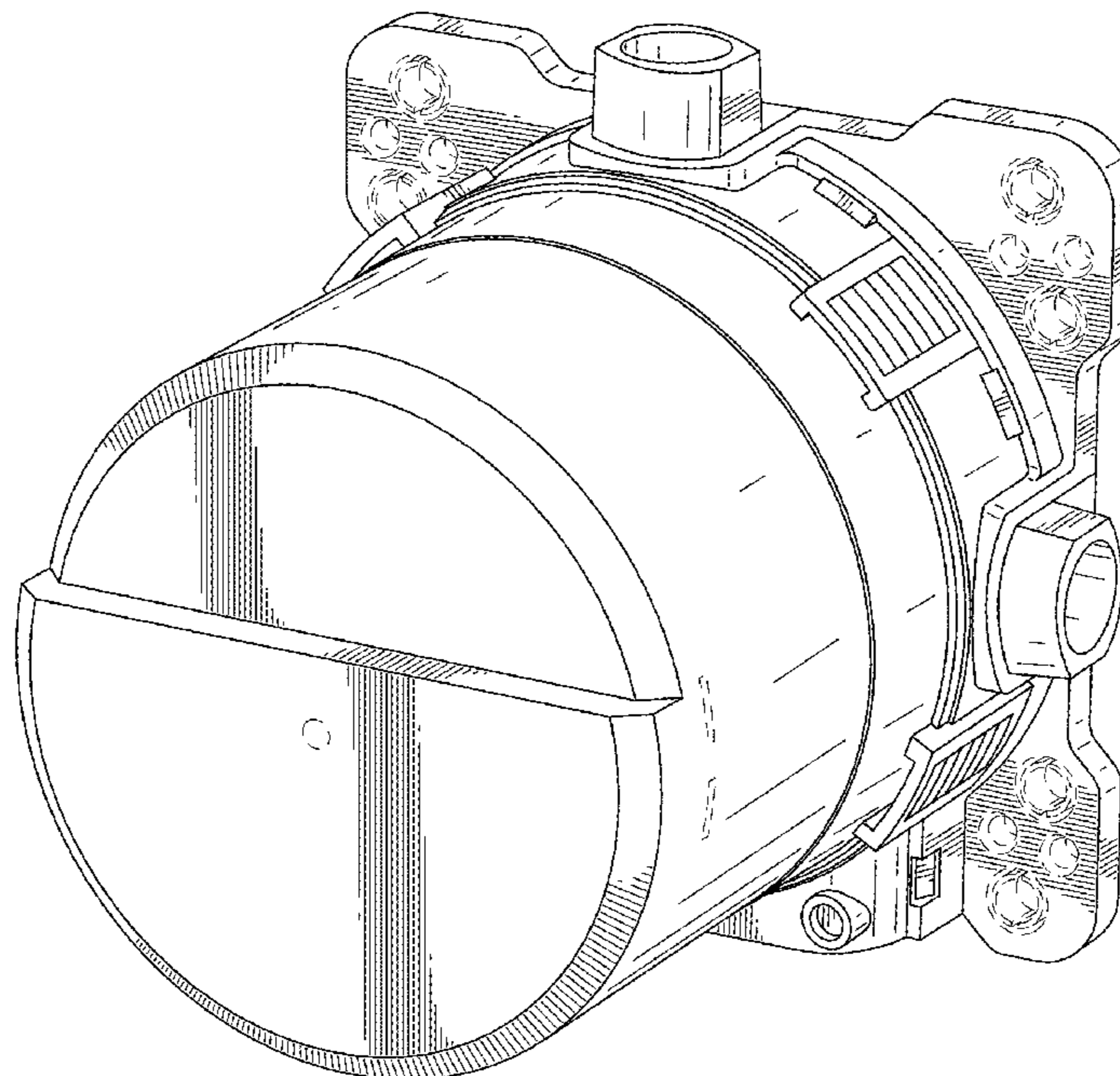
(57) **CLAIM**

The ornamental design for a shower mixer trim, as shown and described.

DESCRIPTION

FIG. 1 is a front perspective view of a shower mixer trim showing our new design.
FIG. 2 is a front view of the shower mixer trim of FIG. 1.
FIG. 3 is a rear view of the shower mixer trim of FIG. 1.
FIG. 4 is a left side view of the shower mixer trim of FIG. 1.
FIG. 5 is a right side view of the shower mixer trim of FIG. 1.
FIG. 6 is a top view of the shower mixer trim of FIG. 1; and, FIG. 7 is a bottom view of the shower mixer trim of FIG. 1.
The broken lines shown in the figures are for the purpose of illustrating portions of the shower mixer trim and form no part of the claimed design.

1 Claim, 7 Drawing Sheets



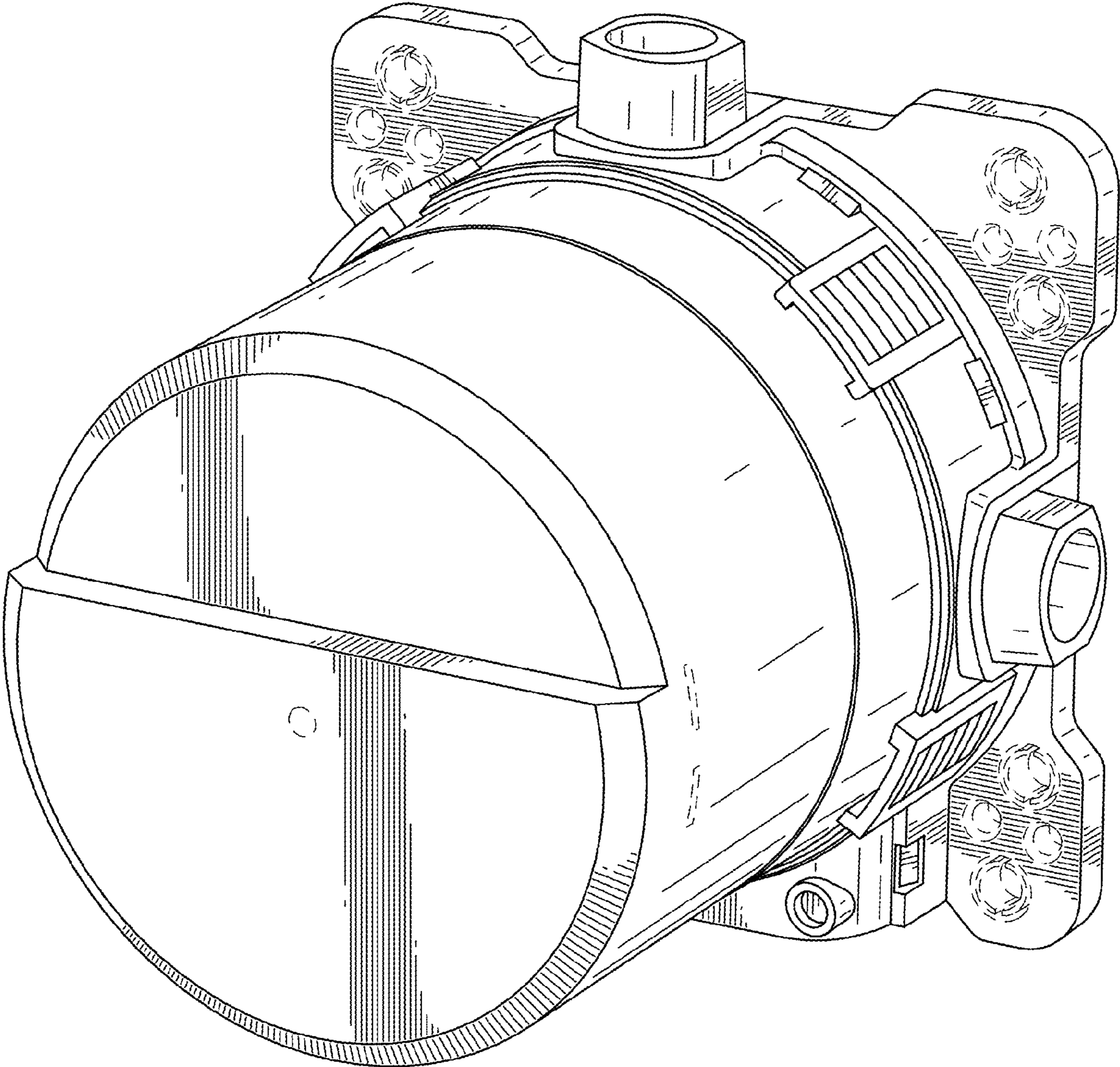


FIG.1

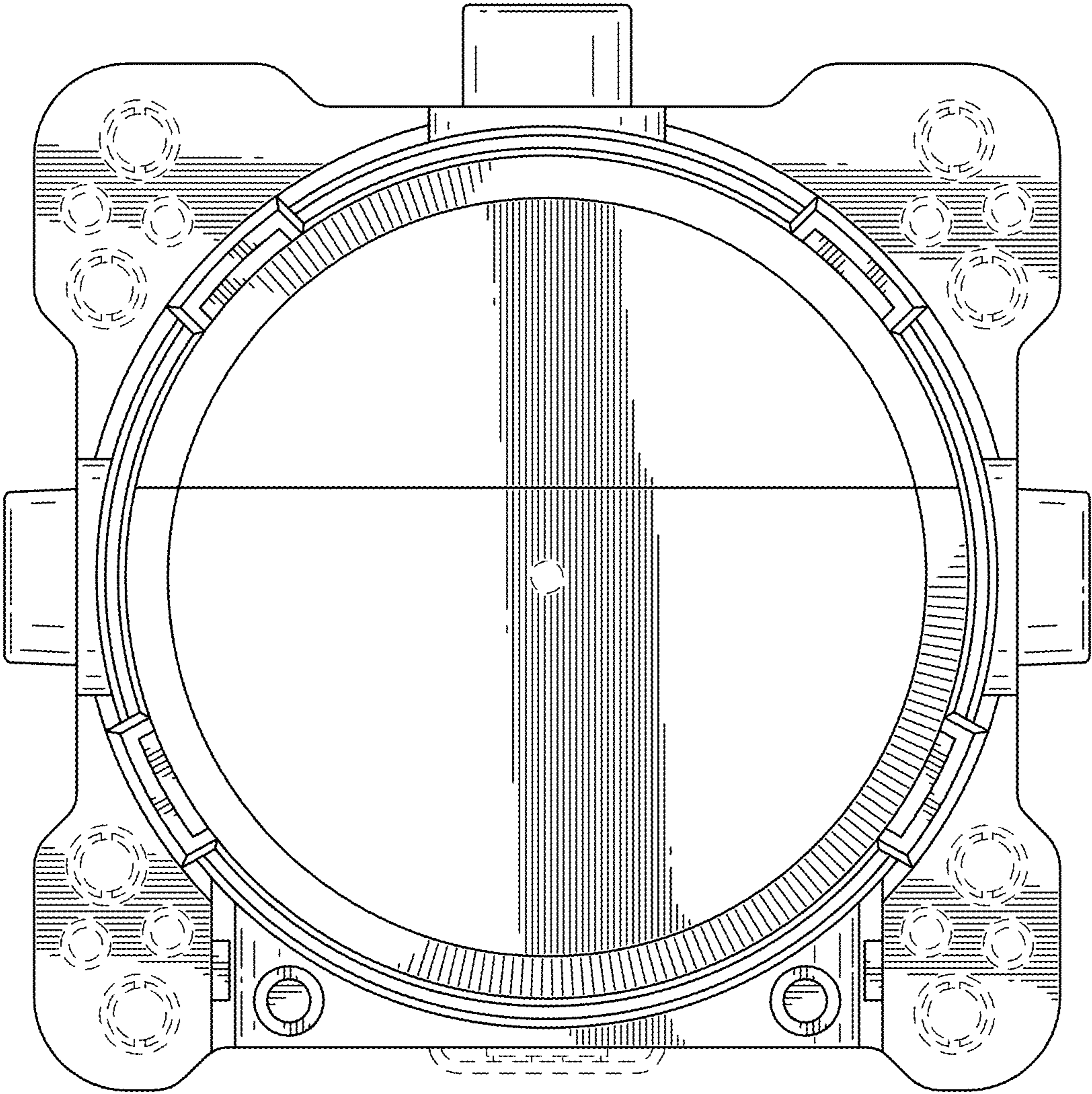


FIG.2

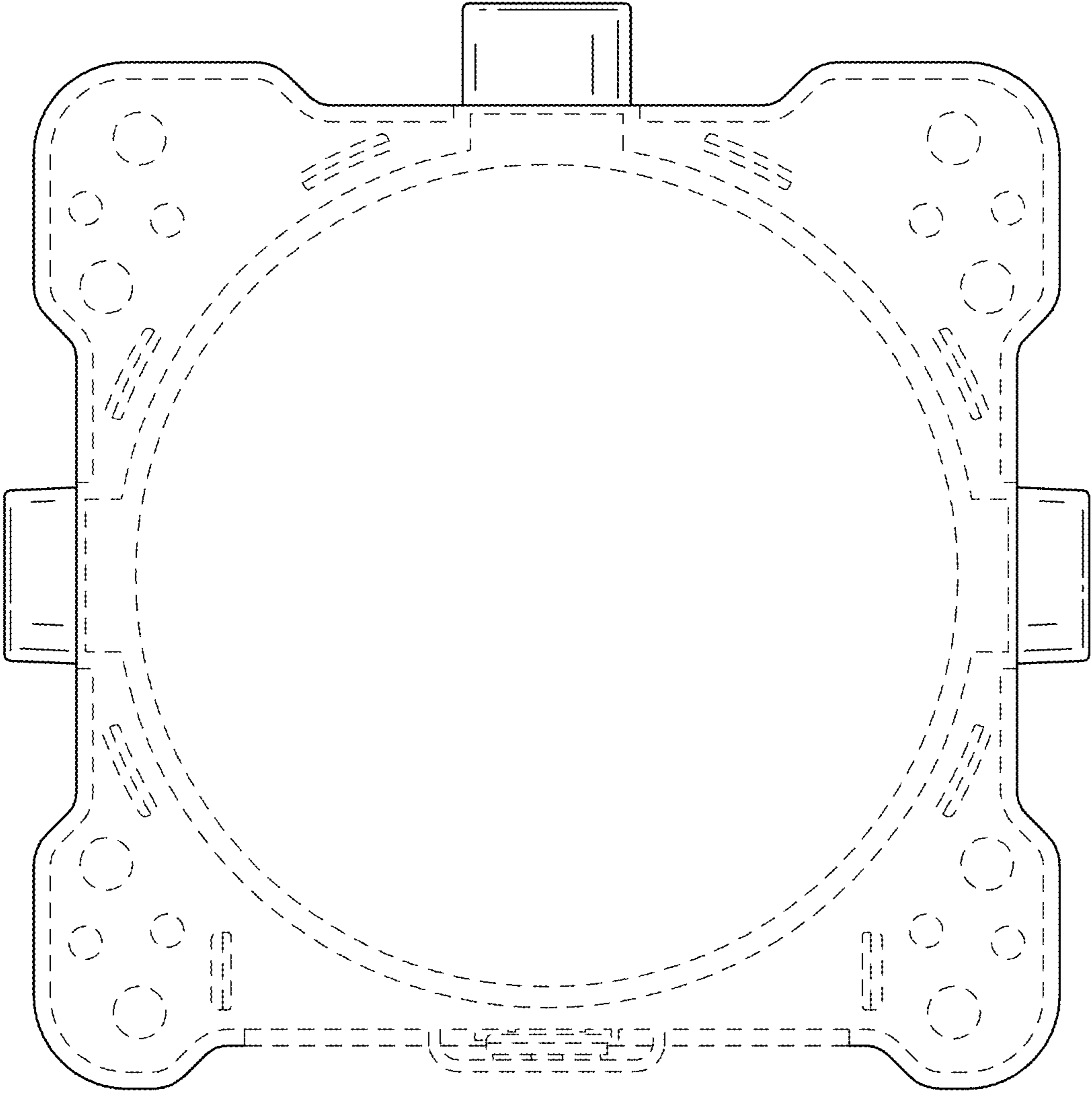


FIG.3

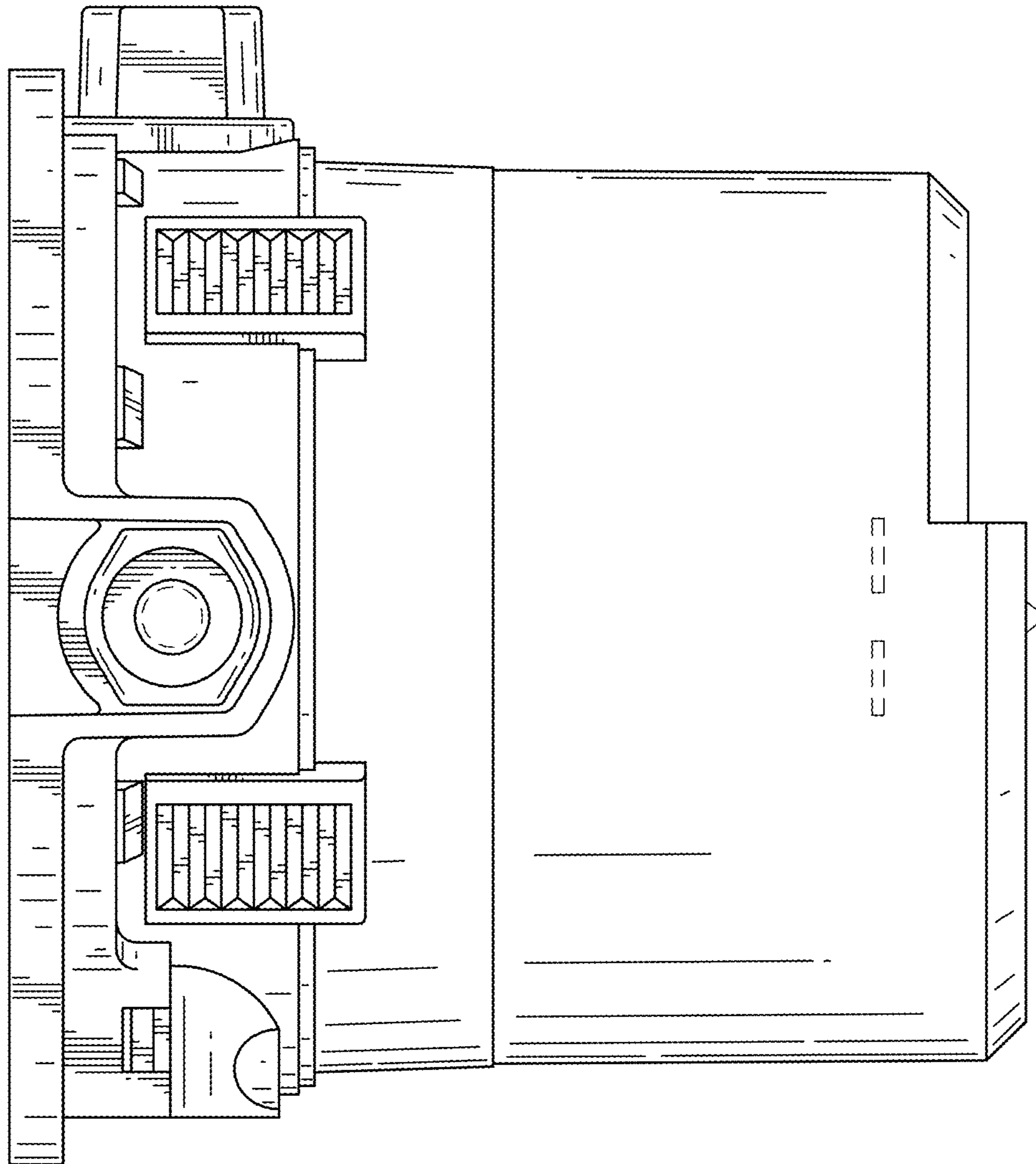


FIG.4

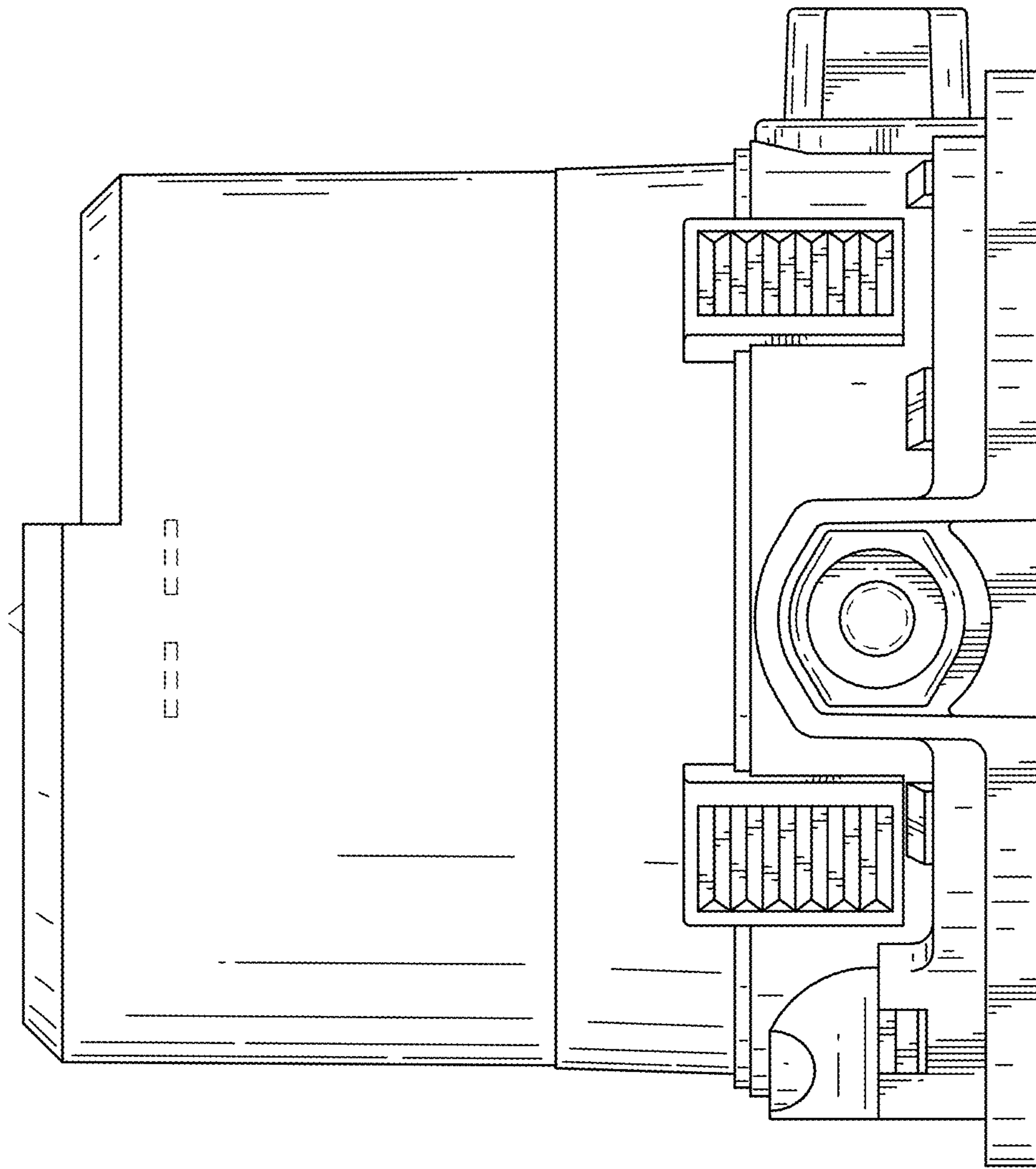


FIG.5

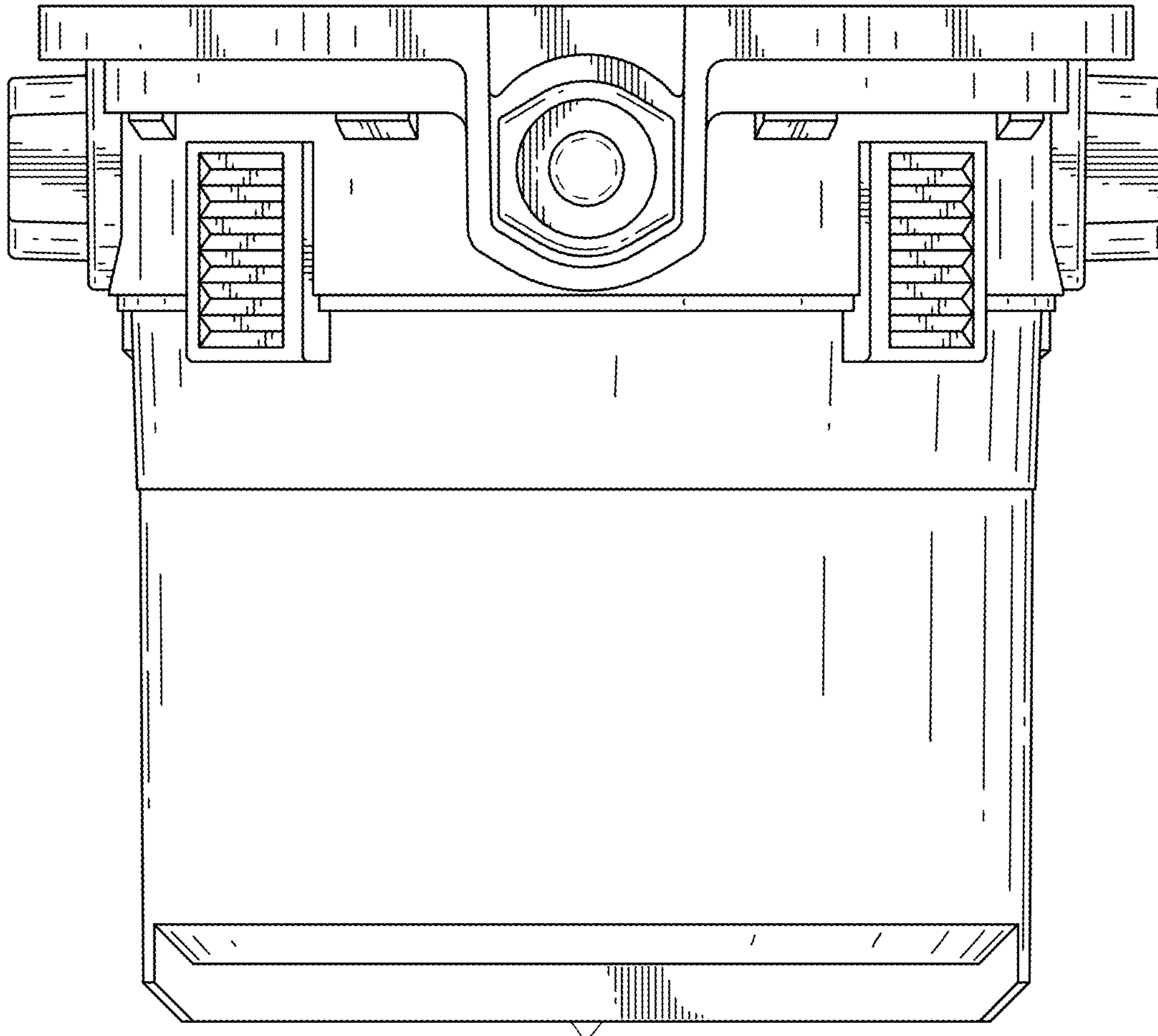


FIG.6

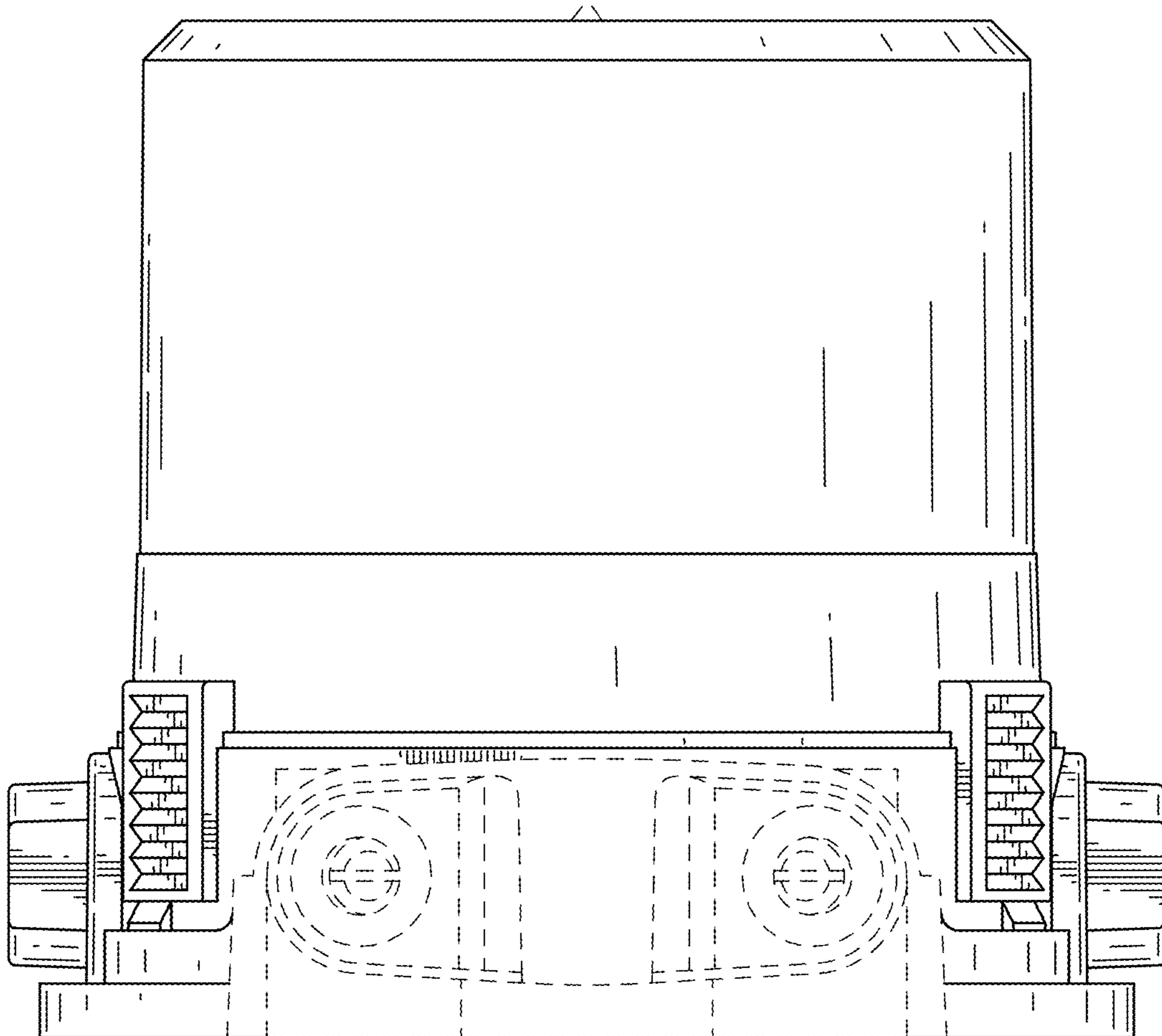


FIG.7