



US00D891586S

(12) **United States Design Patent**
Sekine et al.

(10) **Patent No.:** **US D891,586 S**

(45) **Date of Patent:** **** Jul. 28, 2020**

(54) **CONTROLLER FOR MANIFOLD TYPE
ELECTROMAGNETIC VALVE**

(71) Applicant: **SMC Corporation**, Chiyoda-ku (JP)

(72) Inventors: **Mitsuo Sekine**, Tsukubamirai (JP);
Yoshihiro Tanabe, Tsukubamirai (JP);
Taketoshi Shiba, Tsukubamirai (JP)

(73) Assignee: **SMC Corporation**, Chiyoda-ku (JP)

(**) Term: **15 Years**

(21) Appl. No.: **29/683,285**

(22) Filed: **Mar. 12, 2019**

(30) **Foreign Application Priority Data**

Sep. 12, 2018 (JP) 2018-019932

(51) **LOC (12) Cl.** **23-01**

(52) **U.S. Cl.**
USPC **D23/249**

(58) **Field of Classification Search**
USPC D23/233, 235, 249, 366, 207, 237;
137/119.1
CPC .. F16K 31/0675; F16K 27/029; F16K 27/048;
F16K 31/082; F16K 11/24; F02M
63/0017; F02M 51/061; F02M 59/366
See application file for complete search history.

(56) **References Cited**

U.S. PATENT DOCUMENTS

D318,519 S * 7/1991 Kuivila D23/245
D594,952 S * 6/2009 Orihara D23/366

D791,918 S * 7/2017 Anundi D23/237
D806,828 S * 1/2018 Toshiba D23/207
10,001,786 B2 * 6/2018 Hutchins B60R 16/08
D844,754 S * 4/2019 Leinonen D23/249
D872,839 S * 1/2020 Leinonen D23/249

FOREIGN PATENT DOCUMENTS

JP 1395078 S 8/2010

* cited by examiner

Primary Examiner — Gino Colan

(74) *Attorney, Agent, or Firm* — Oblon, McClelland,
Maier & Neustadt, L.L.P.

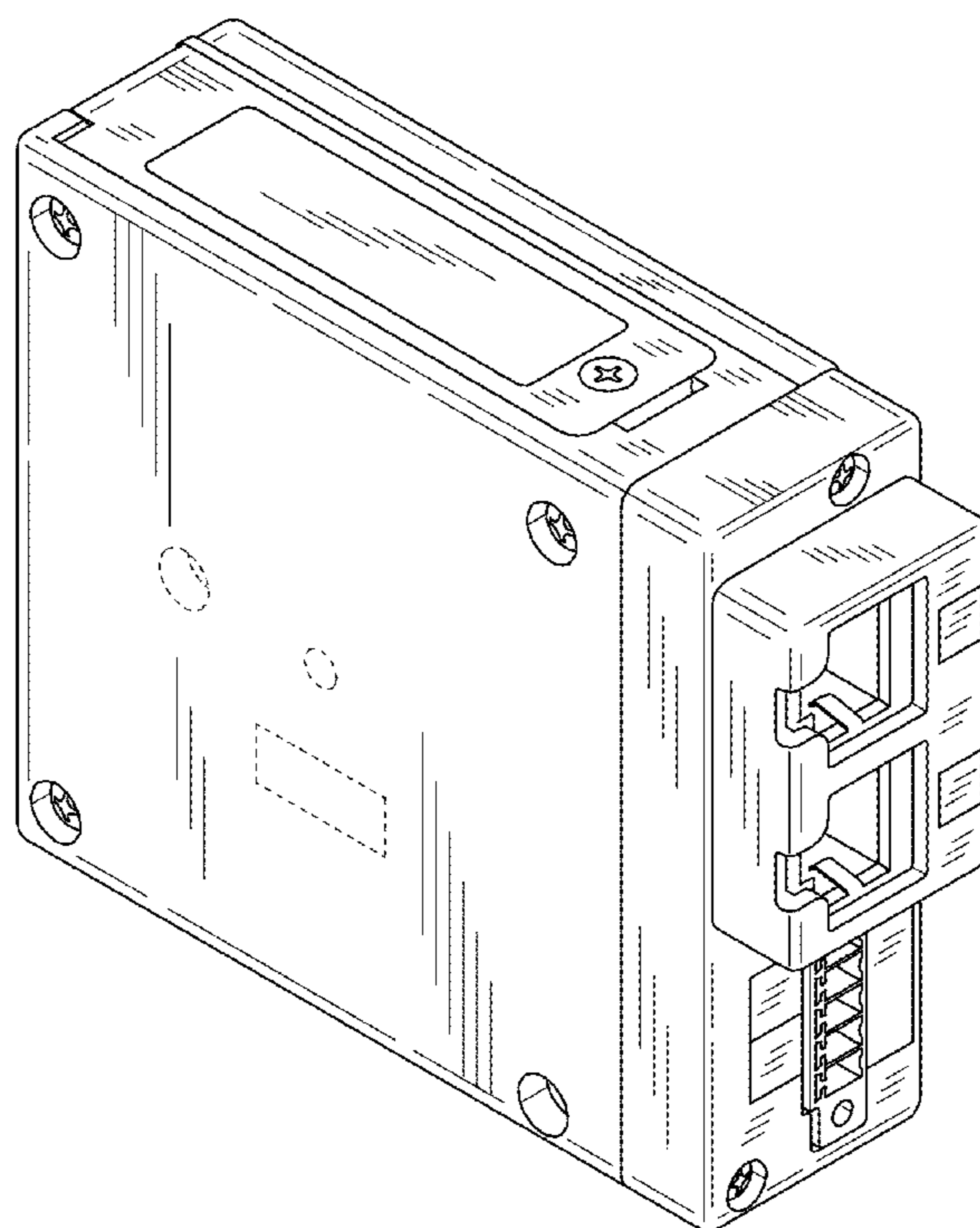
(57) **CLAIM**

The ornamental design for a controller for manifold type
electromagnetic valve, as shown and described.

DESCRIPTION

FIG. 1 is a front, top, and left side perspective view of a
controller for manifold type electromagnetic valve;
FIG. 2 is a rear, bottom, and right side perspective view
thereof;
FIG. 3 is a front elevational view thereof;
FIG. 4 is a rear elevational view thereof;
FIG. 5 is a top plan view thereof;
FIG. 6 is a bottom plan view thereof;
FIG. 7 is a left side elevational view thereof; and,
FIG. 8 is a right side elevational view thereof.
The broken lines shown in the figures are for the purpose of
illustrating portions of the controller for manifold type
electromagnetic valve that form no part of the claimed
design.

1 Claim, 8 Drawing Sheets



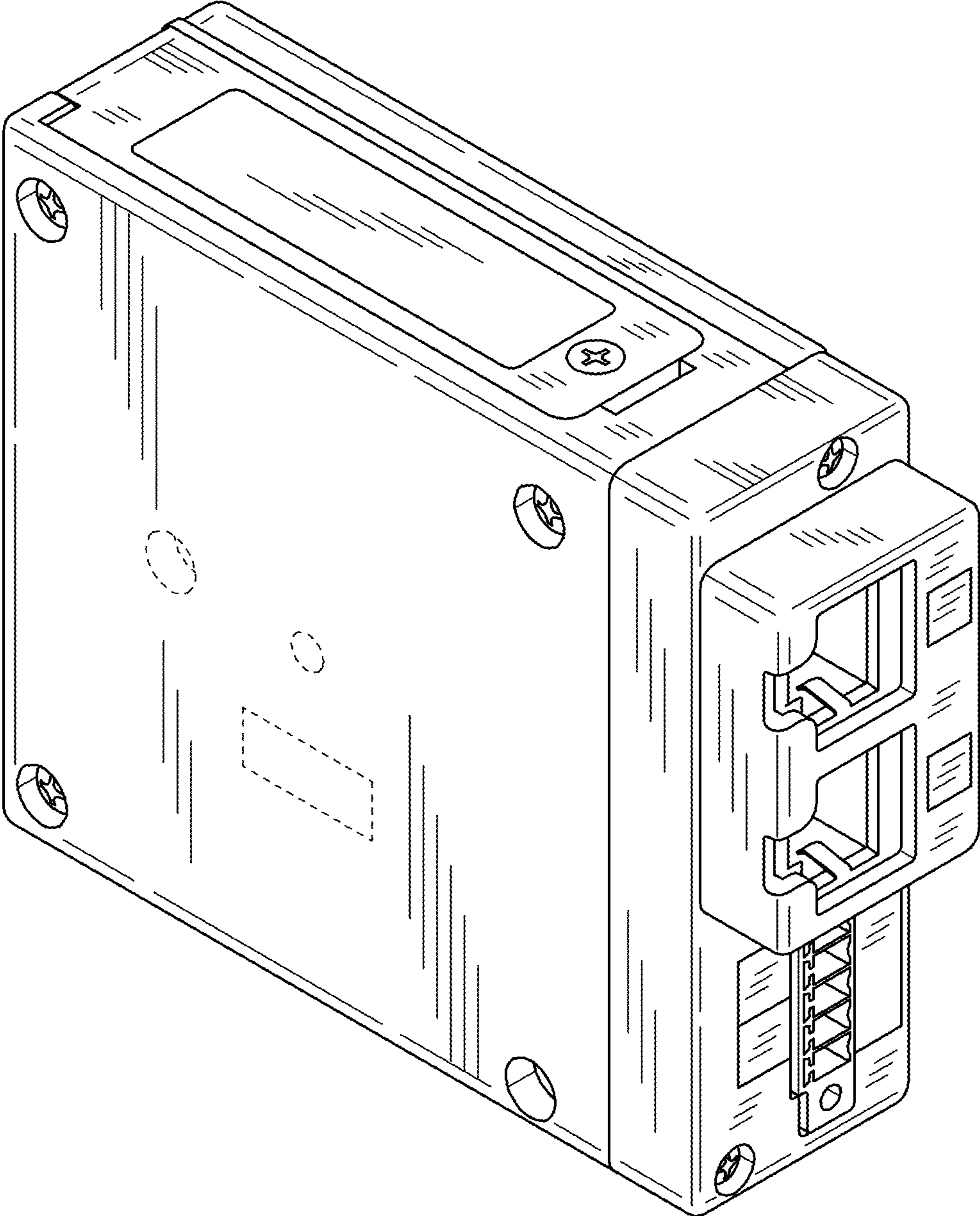


Fig. 1

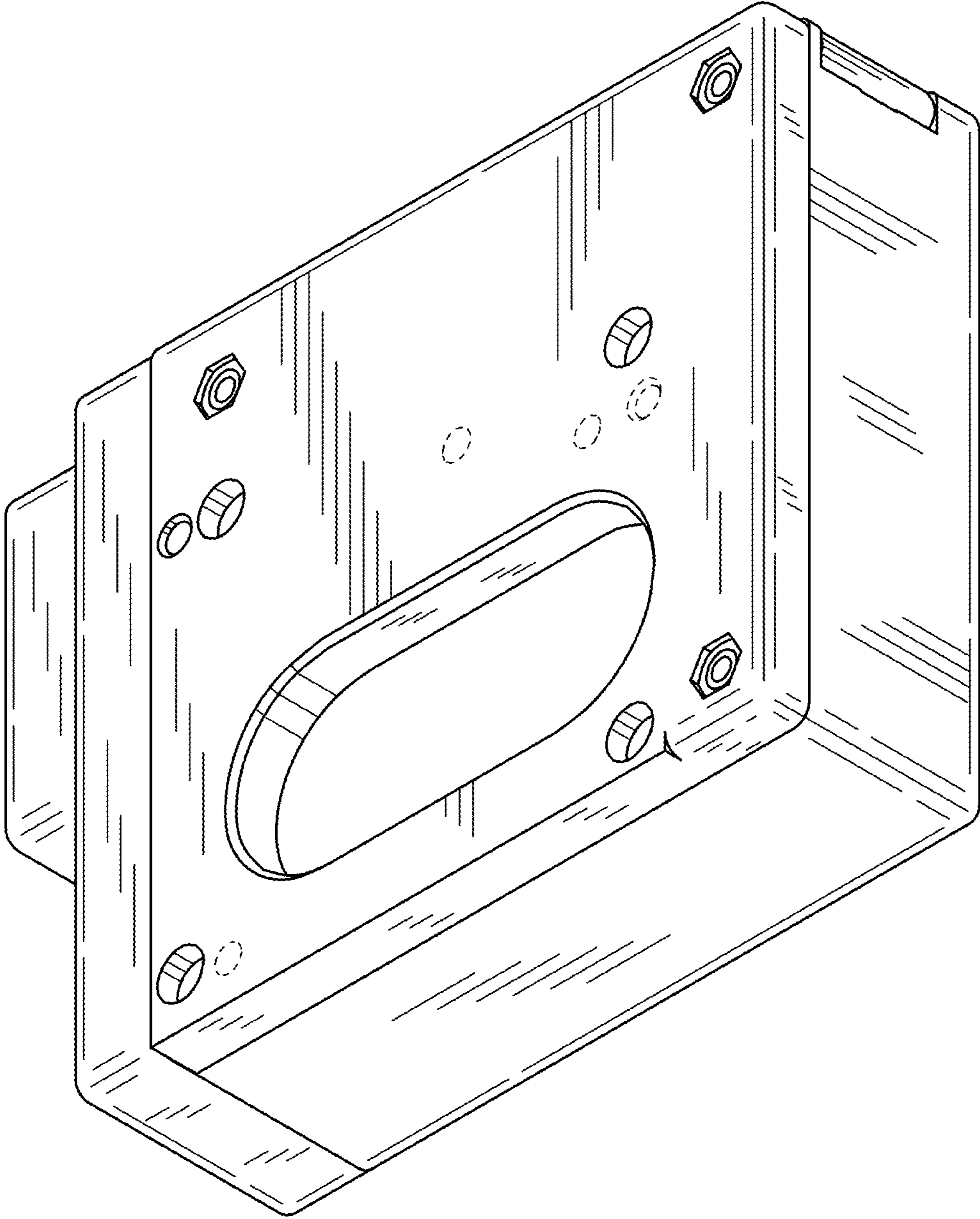


Fig. 2

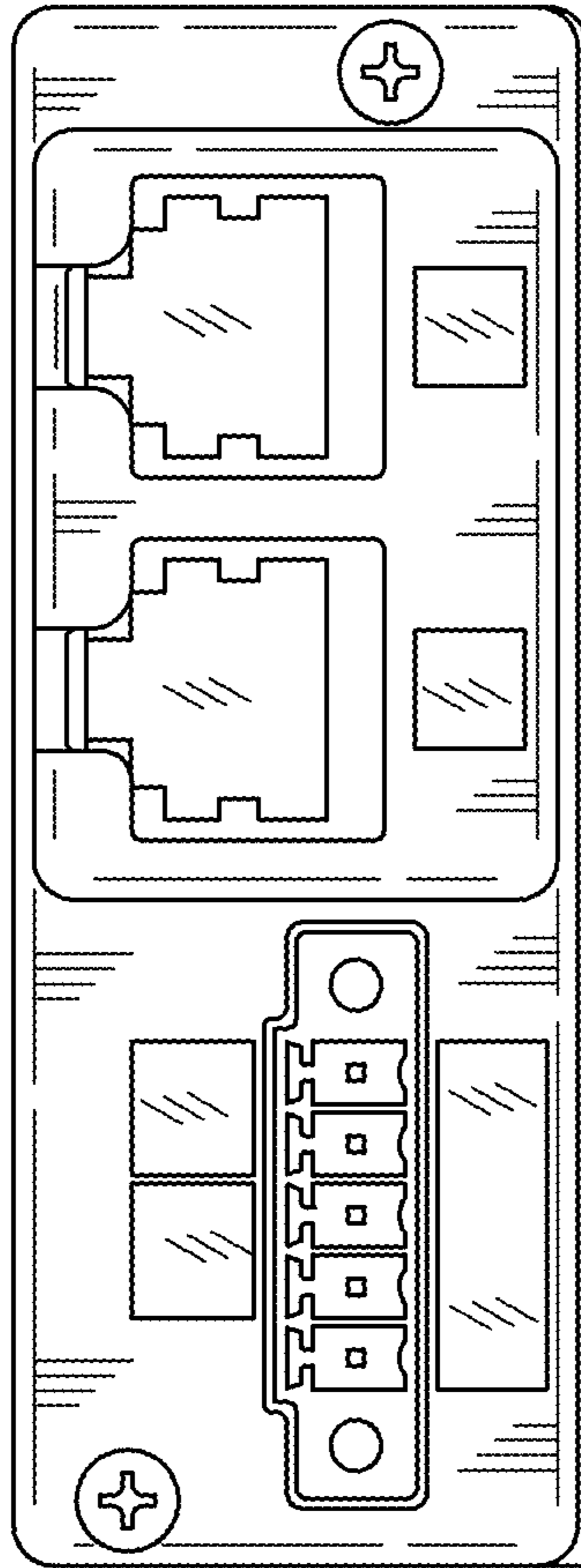


Fig. 3

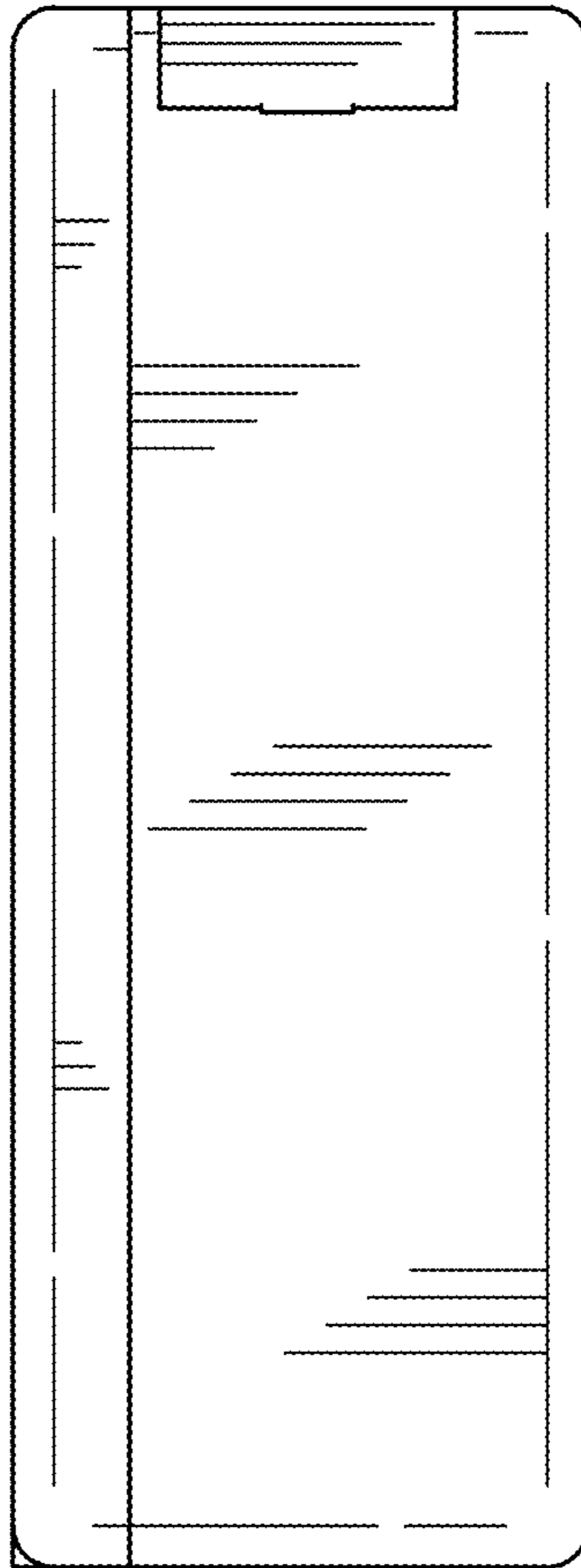


Fig. 4

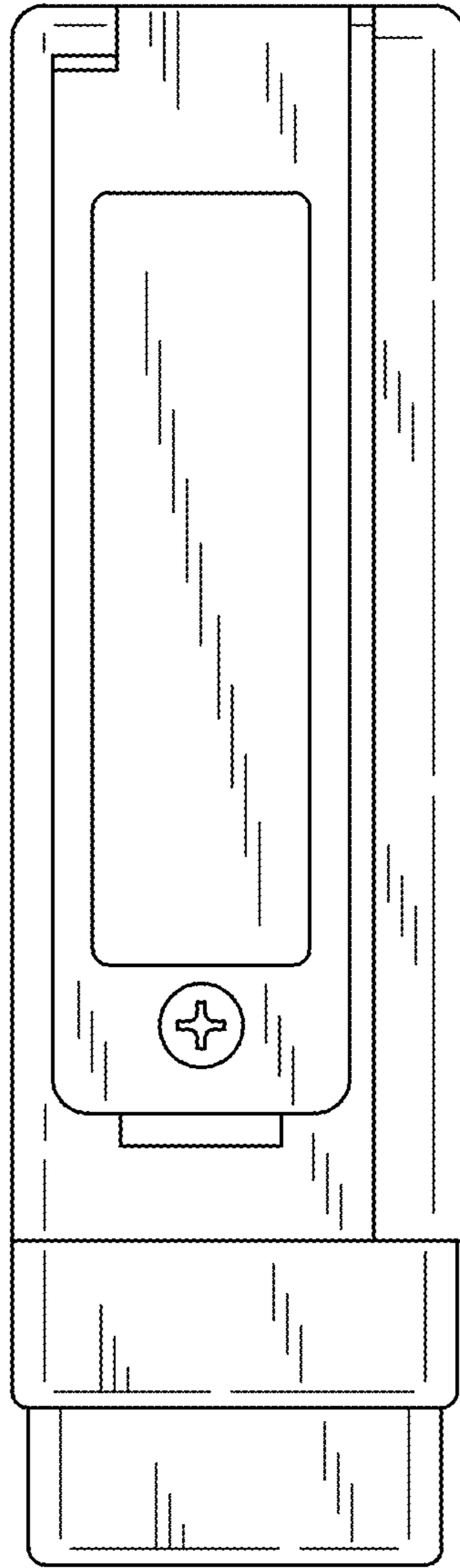


Fig. 5

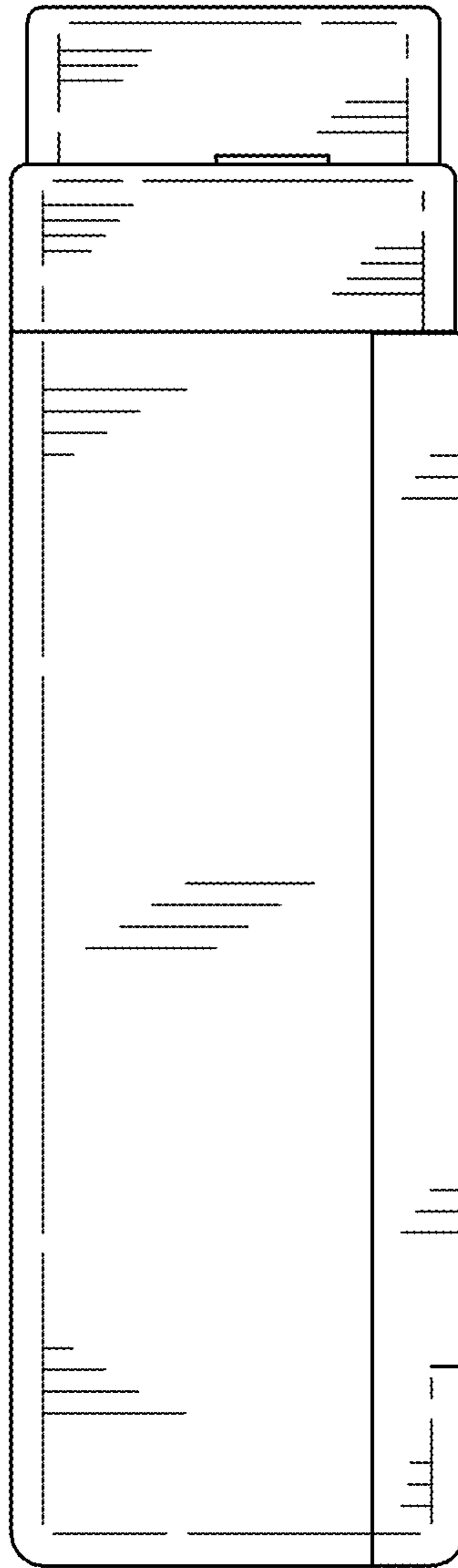


Fig. 6

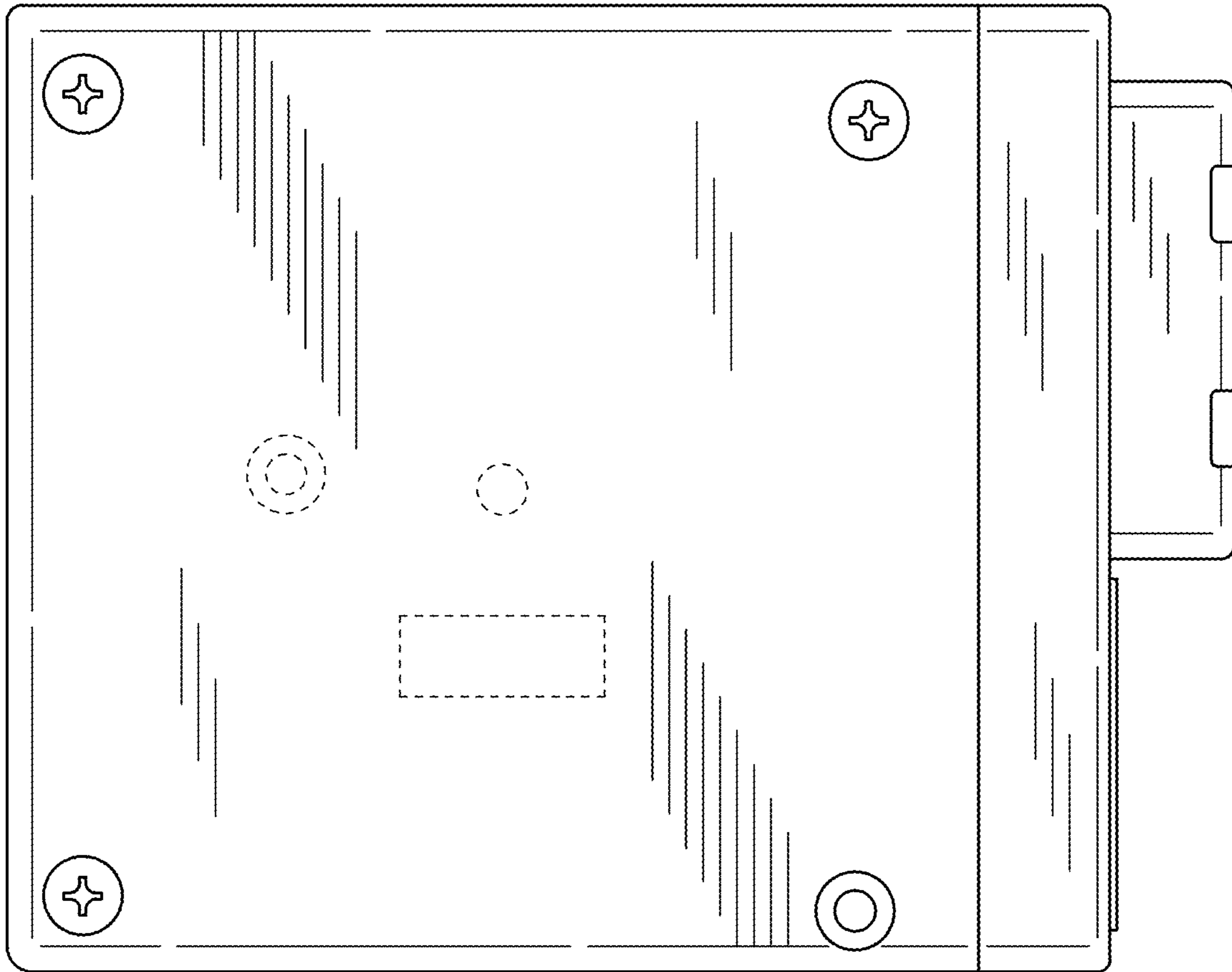


Fig. 7

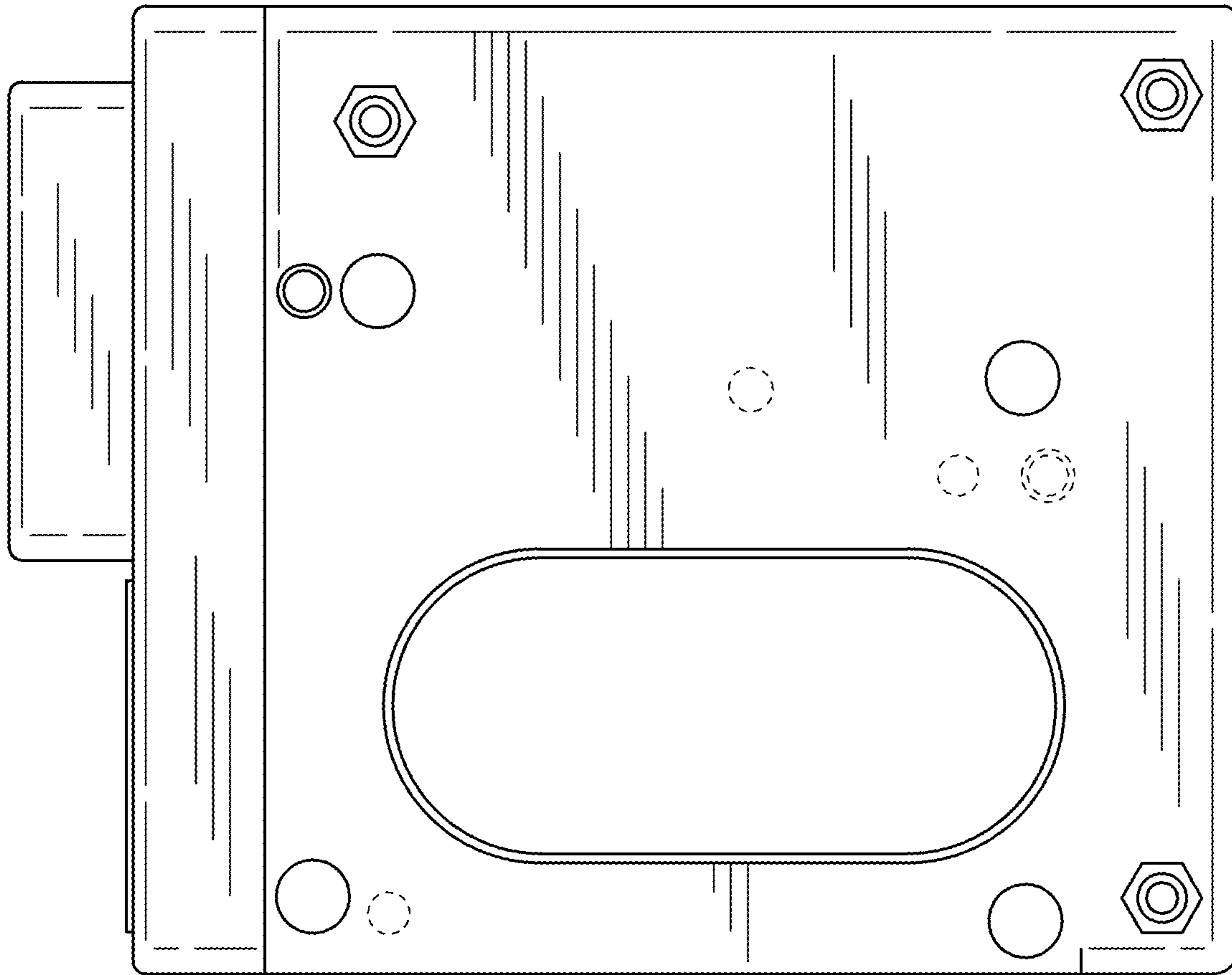


Fig. 8