



US00D891585S

(12) **United States Design Patent**  
**Spangler**

(10) **Patent No.:** **US D891,585 S**

(45) **Date of Patent:** **\*\* Jul. 28, 2020**

(54) **FAUCET**

(71) Applicant: **DELTA FAUCET COMPANY,**  
Indianapolis, IN (US)

(72) Inventor: **Anthony G. Spangler,** Indianapolis, IN  
(US)

(73) Assignee: **DELTA FAUCET COMPANY,**  
Indianapolis, IN (US)

(\*\*) Term: **15 Years**

(21) Appl. No.: **29/632,393**

(22) Filed: **Jan. 8, 2018**

(51) **LOC (12) Cl.** ..... **23-01**

(52) **U.S. Cl.**  
USPC ..... **D23/242; D23/238**

(58) **Field of Classification Search**

USPC ..... D23/238, 239, 240, 241, 242, 243, 249,  
D23/250, 252, 255, 257; D8/350, 353

CPC ..... Y10T 137/9464; Y10T 137/6014; Y10T  
137/0491; E03C 1/02; E03C 1/04; E03C  
1/0404; E03C 1/042

See application file for complete search history.

(56) **References Cited**

**U.S. PATENT DOCUMENTS**

D461,530 S \* 8/2002 Moll ..... D23/238  
D515,671 S \* 2/2006 Toyohara ..... D23/241

D517,651 S \* 3/2006 Theberge ..... D23/238  
D519,612 S \* 4/2006 Fritz ..... D23/241  
D535,723 S \* 1/2007 Veltz ..... D23/238  
D643,909 S \* 8/2011 Flowers ..... D23/238  
D648,829 S \* 11/2011 Gao ..... D23/252  
D681,169 S \* 4/2013 Liao ..... D23/242  
D682,993 S \* 5/2013 Mendoza ..... D23/242  
D793,539 S \* 8/2017 Fritz ..... D23/255  
D797,893 S \* 9/2017 Fritz ..... D23/242

\* cited by examiner

*Primary Examiner* — Sheryl Lane

*Assistant Examiner* — Samantha N Wood

(74) *Attorney, Agent, or Firm* — Nirav D. Parikh; Edgar  
A. Zarins

(57) **CLAIM**

The ornamental design for a faucet, as shown and described.

**DESCRIPTION**

FIG. 1 is a rear perspective view of a faucet showing my new design;

FIG. 2 is a top plan view thereof;

FIG. 3 is a right side view thereof, the opposite side being a mirror image of the side shown;

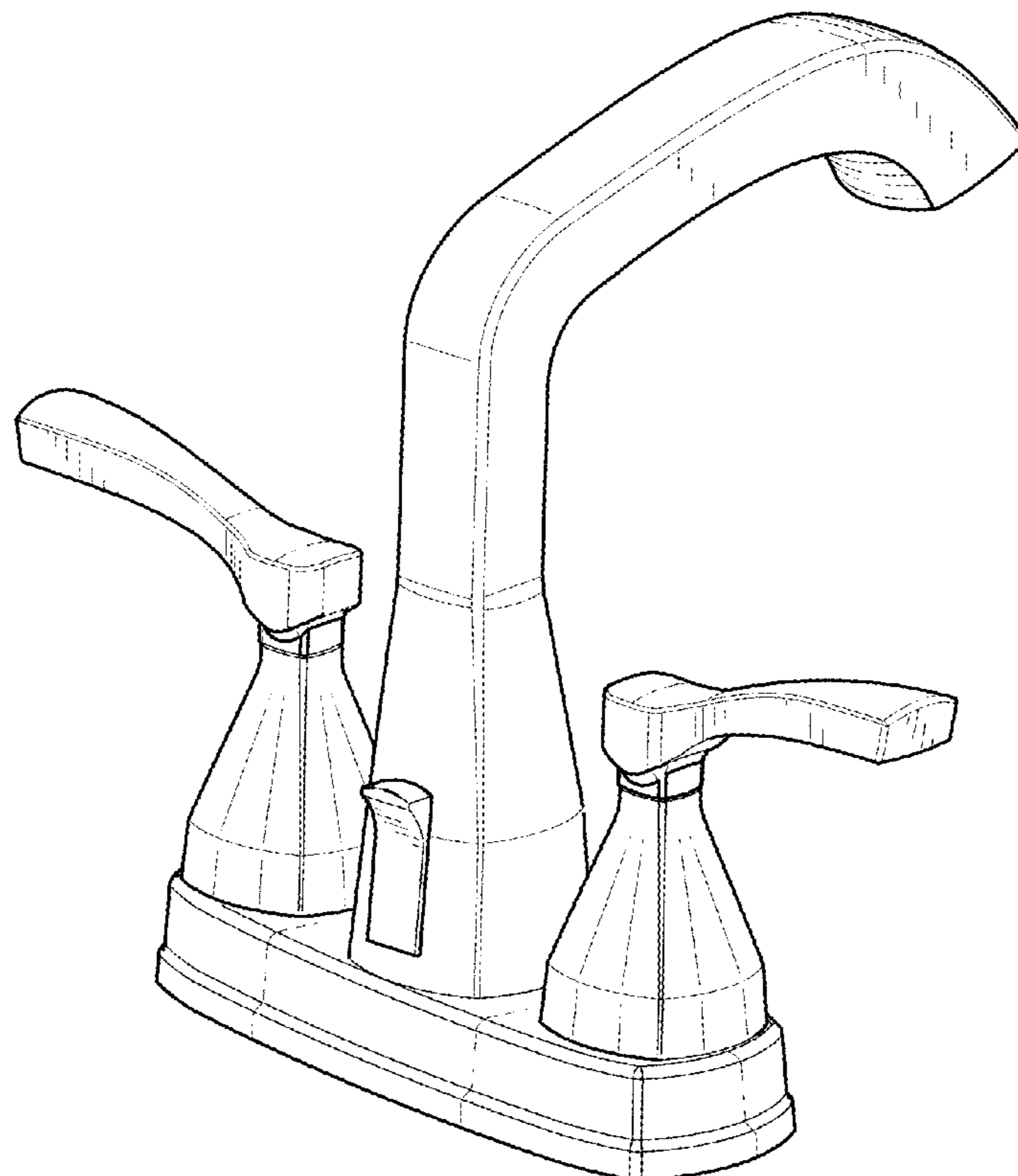
FIG. 4 is a bottom view thereof;

FIG. 5 is a front elevational view thereof; and,

FIG. 6 is a rear view thereof.

The broken lines showing portions of the faucet are included for the purpose of illustrating portions of the article and form no part of the claimed design.

**1 Claim, 3 Drawing Sheets**



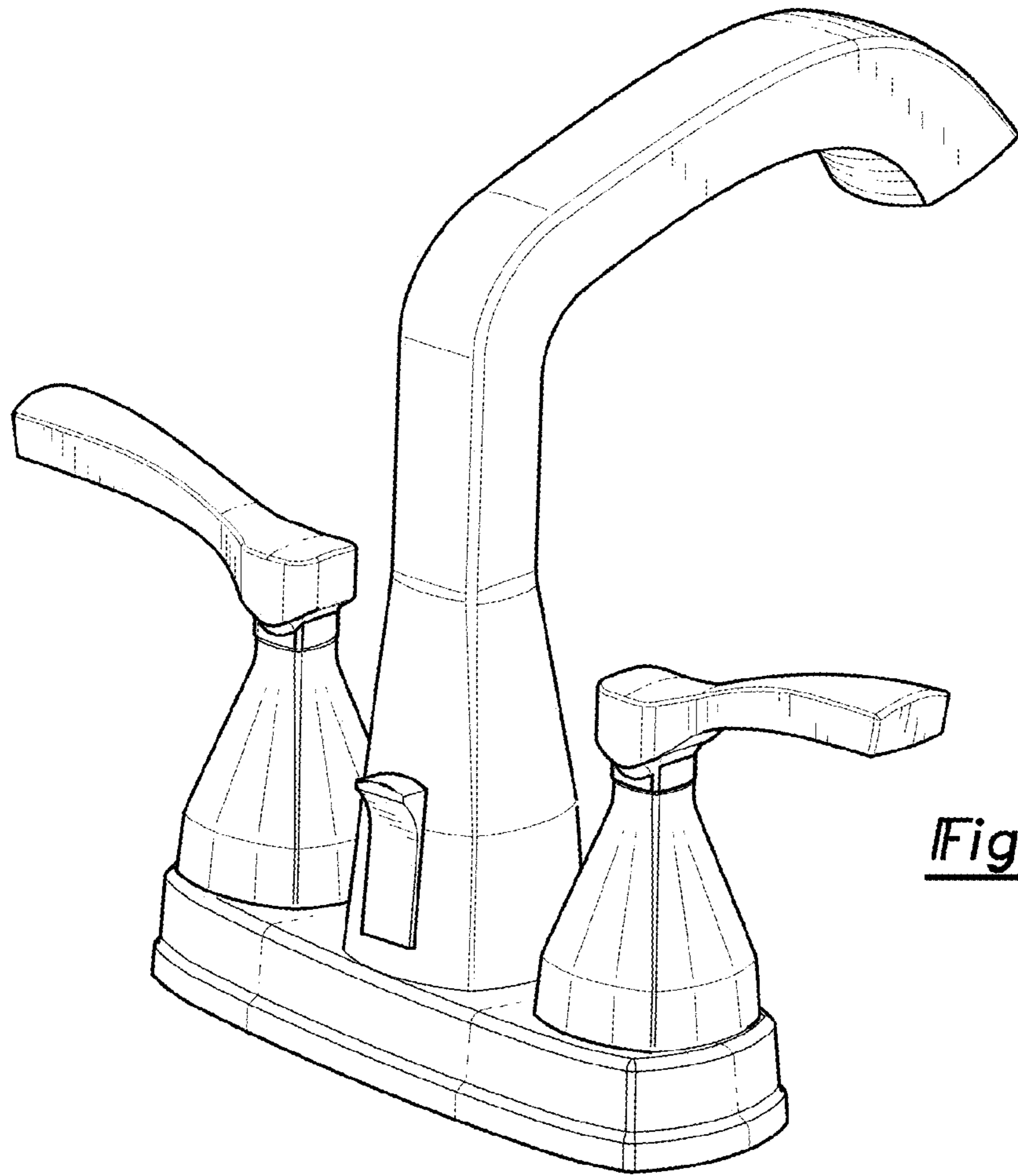


Fig-1

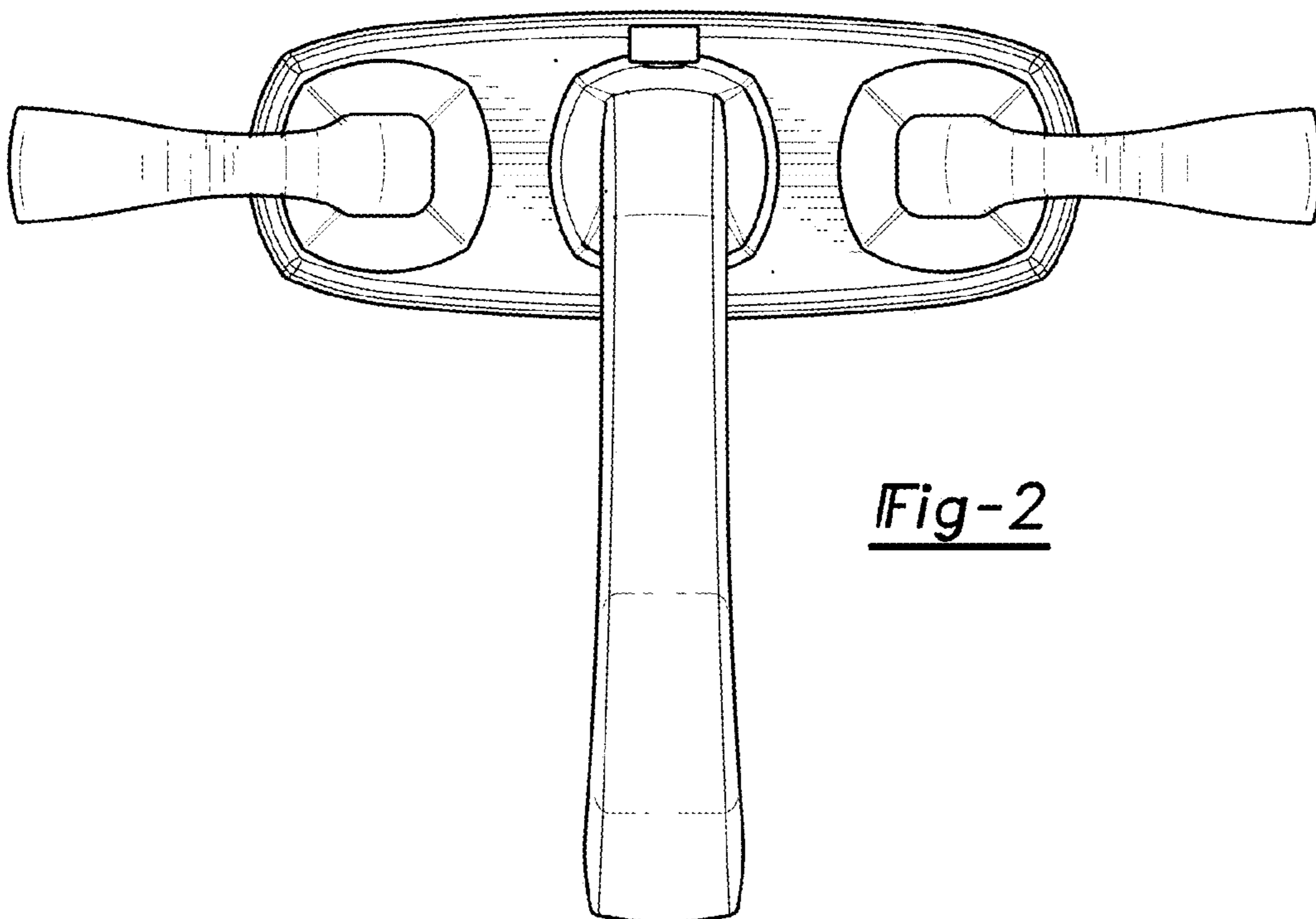


Fig-2

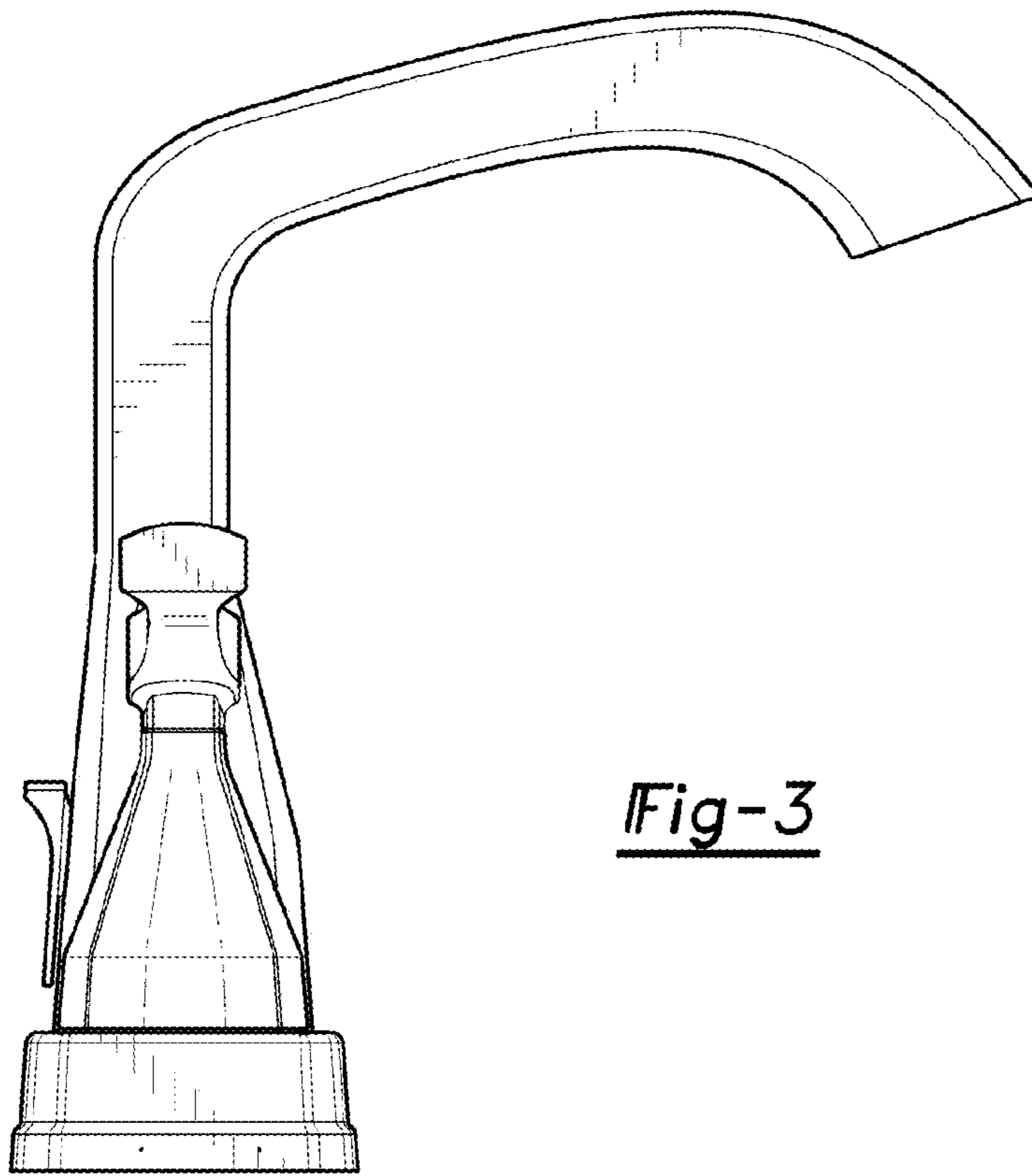


Fig-3

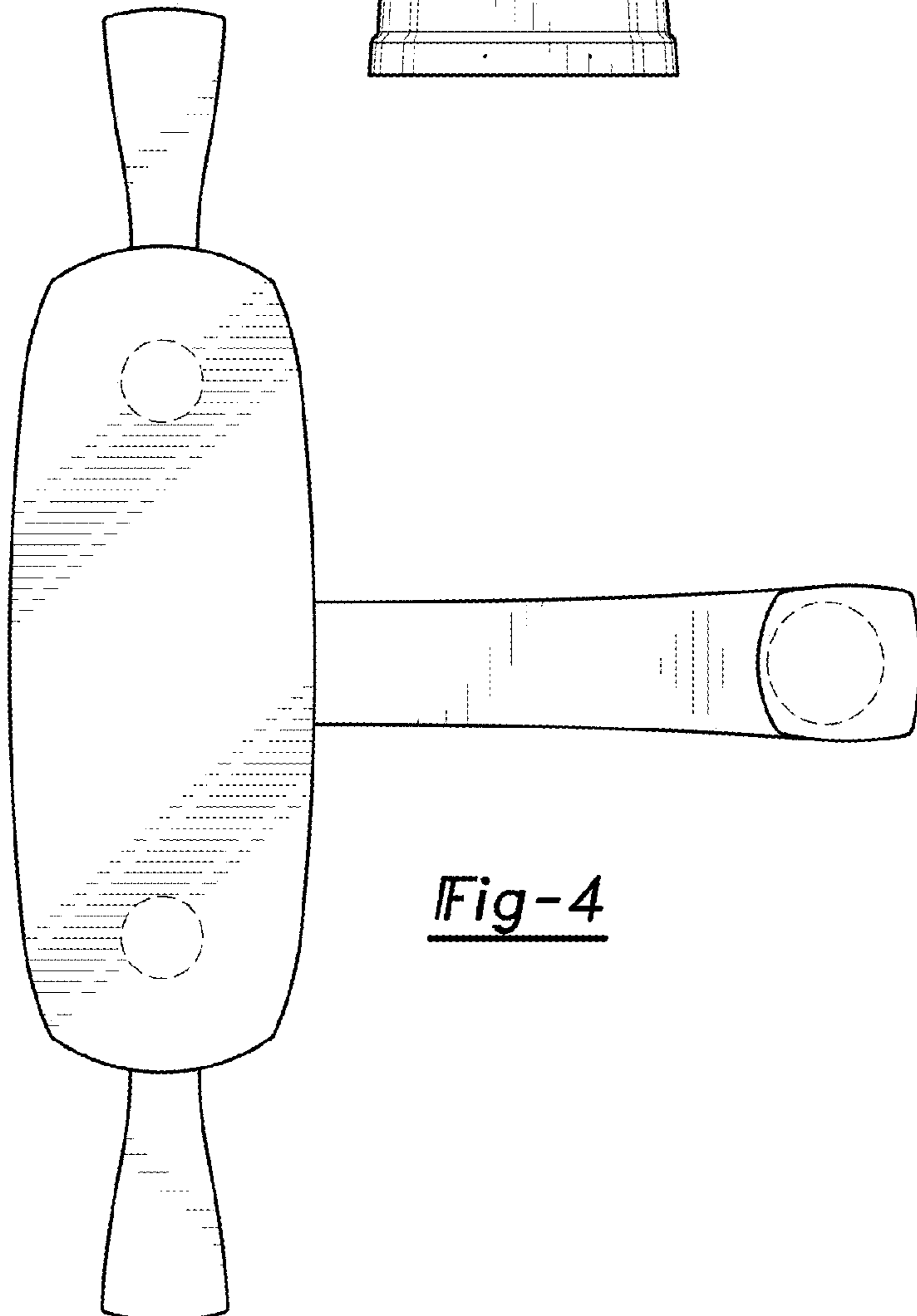


Fig-4

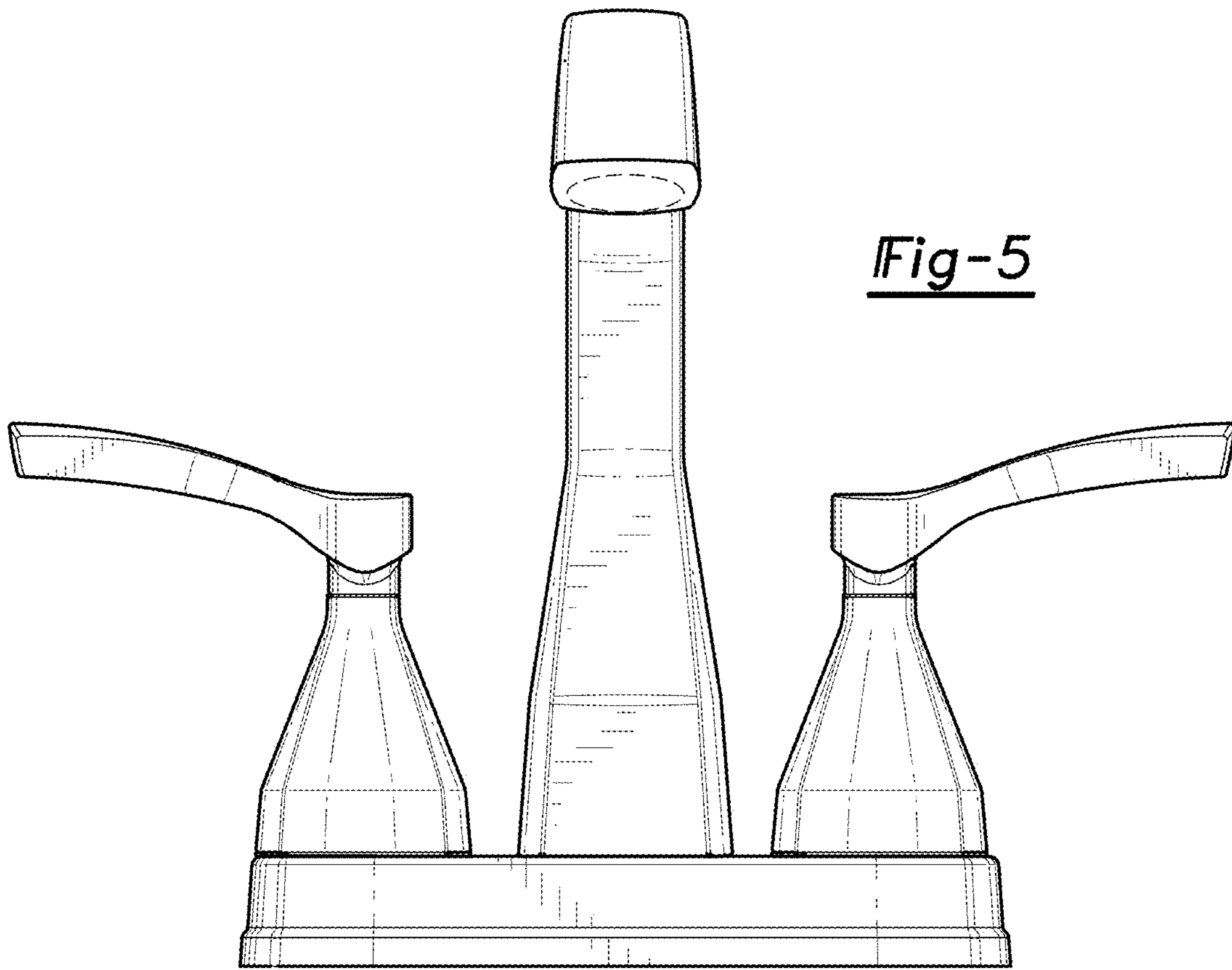


Fig-5

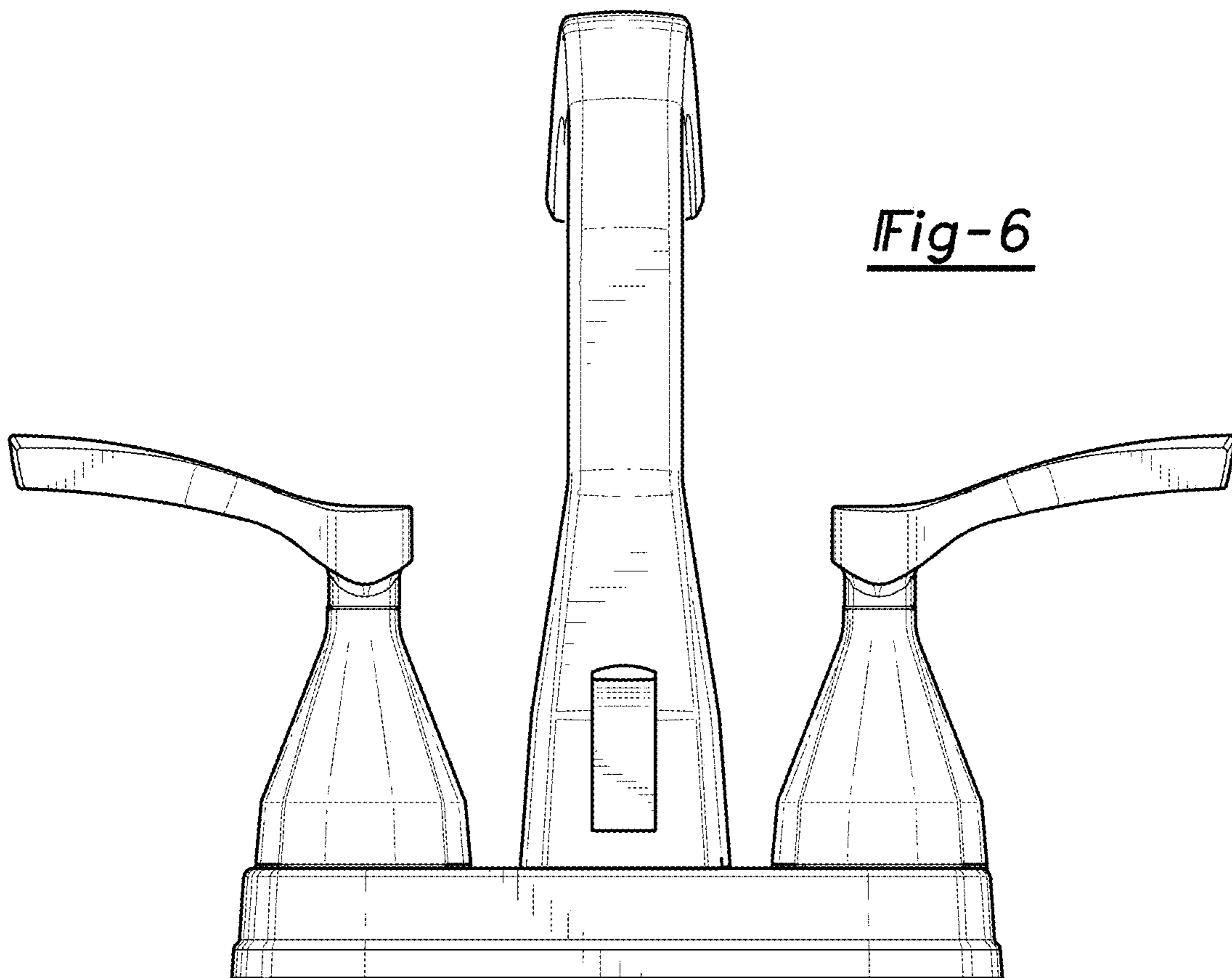


Fig-6