



US00D891584S

(12) **United States Design Patent**
Johnson

(10) **Patent No.:** **US D891,584 S**

(45) **Date of Patent:** **** Jul. 28, 2020**

(54) **FAUCET**

(71) Applicant: **Kohler Co.**, Kohler, WI (US)

(72) Inventor: **Drew Johnson**, Sheboygan, WI (US)

(73) Assignee: **KOHLER CO.**, Kohler, WI (US)

(**) Term: **15 Years**

(21) Appl. No.: **29/674,117**

(22) Filed: **Dec. 19, 2018**

(51) **LOC (12) Cl.** **23-01**

(52) **U.S. Cl.**
USPC **D23/238**

(58) **Field of Classification Search**
USPC D23/238, 241–243, 249–250, 252,
D23/254–255, 257; D8/307–308
CPC Y10T 137/9464; Y10T 137/6014; Y10T
137/6017
See application file for complete search history.

(56) **References Cited**

U.S. PATENT DOCUMENTS

D576,705 S	9/2008	McKeone	
D577,421 S *	9/2008	Williams	D23/238
D581,029 S *	11/2008	Gilbert	D23/255
D589,121 S	3/2009	McKeone	
D619,220 S *	7/2010	Semchuck	D23/238
D632,363 S	2/2011	McKeone	
D641,454 S	7/2011	McKeone	
D646,359 S *	10/2011	Sieger	D23/238
8,061,386 B2 *	11/2011	Mueller	E03C 1/0404 137/801
D721,422 S *	1/2015	Sedwick	D23/255
D721,791 S *	1/2015	Bahler	D23/252

D839,394 S *	1/2019	Mai	D23/255
D848,578 S *	5/2019	Garland	D23/255
D855,158 S *	7/2019	Eads	D23/238

* cited by examiner

Primary Examiner — Robert A Delehanty

(74) *Attorney, Agent, or Firm* — Foley & Lardner LLP

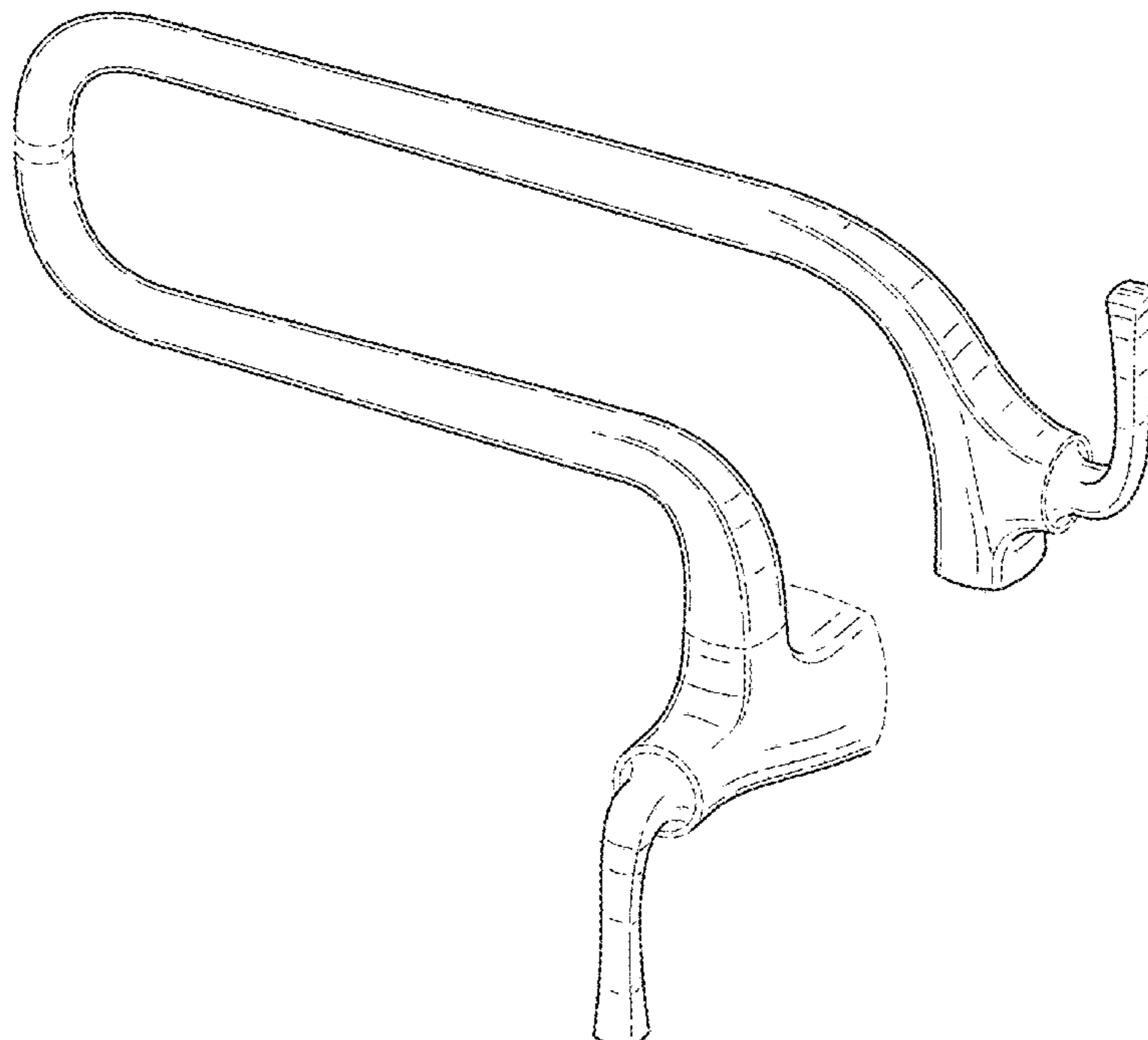
(57) **CLAIM**

I claim the ornamental design for a faucet, as shown and described.

DESCRIPTION

FIG. 1 is a perspective view of an embodiment of the claimed design;
 FIG. 2 is a front view of the embodiment of FIG. 1;
 FIG. 3 is a rear view of the embodiment of FIG. 1;
 FIG. 4 is a side view of the embodiment of FIG. 1;
 FIG. 5 is another side view of the embodiment of FIG. 1;
 FIG. 6 is a top view of the embodiment of FIG. 1;
 FIG. 7 is a bottom view of the embodiment of FIG. 1;
 FIG. 8 is a perspective view of another embodiment of the claimed design;
 FIG. 9 is a front view of the embodiment of FIG. 8;
 FIG. 10 is a rear view of the embodiment of FIG. 8;
 FIG. 11 is a side view of the embodiment of FIG. 8;
 FIG. 12 is another side view of the embodiment of FIG. 8;
 FIG. 13 is a top view of the embodiment of FIG. 8; and
 FIG. 14 is a bottom view of the embodiment of FIG. 8.
 The ornamental design which is claimed is shown in solid lines in the drawings. The broken lines in the drawings are for illustrative purposes only and form no part of the claimed design. Broken lines formed of unequal length dashes (i.e., dash-dot) define bounds of the claimed design.

1 Claim, 10 Drawing Sheets



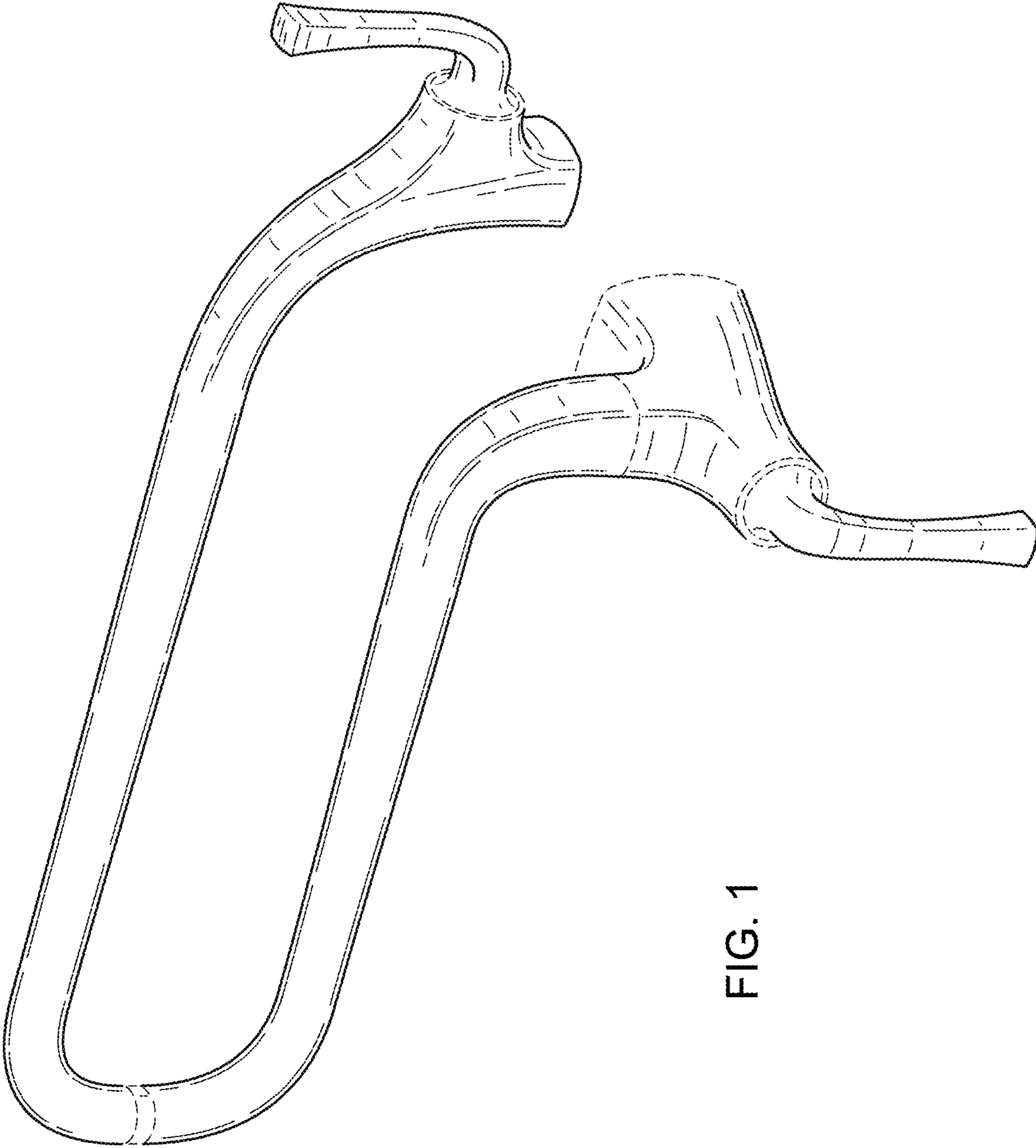


FIG. 1

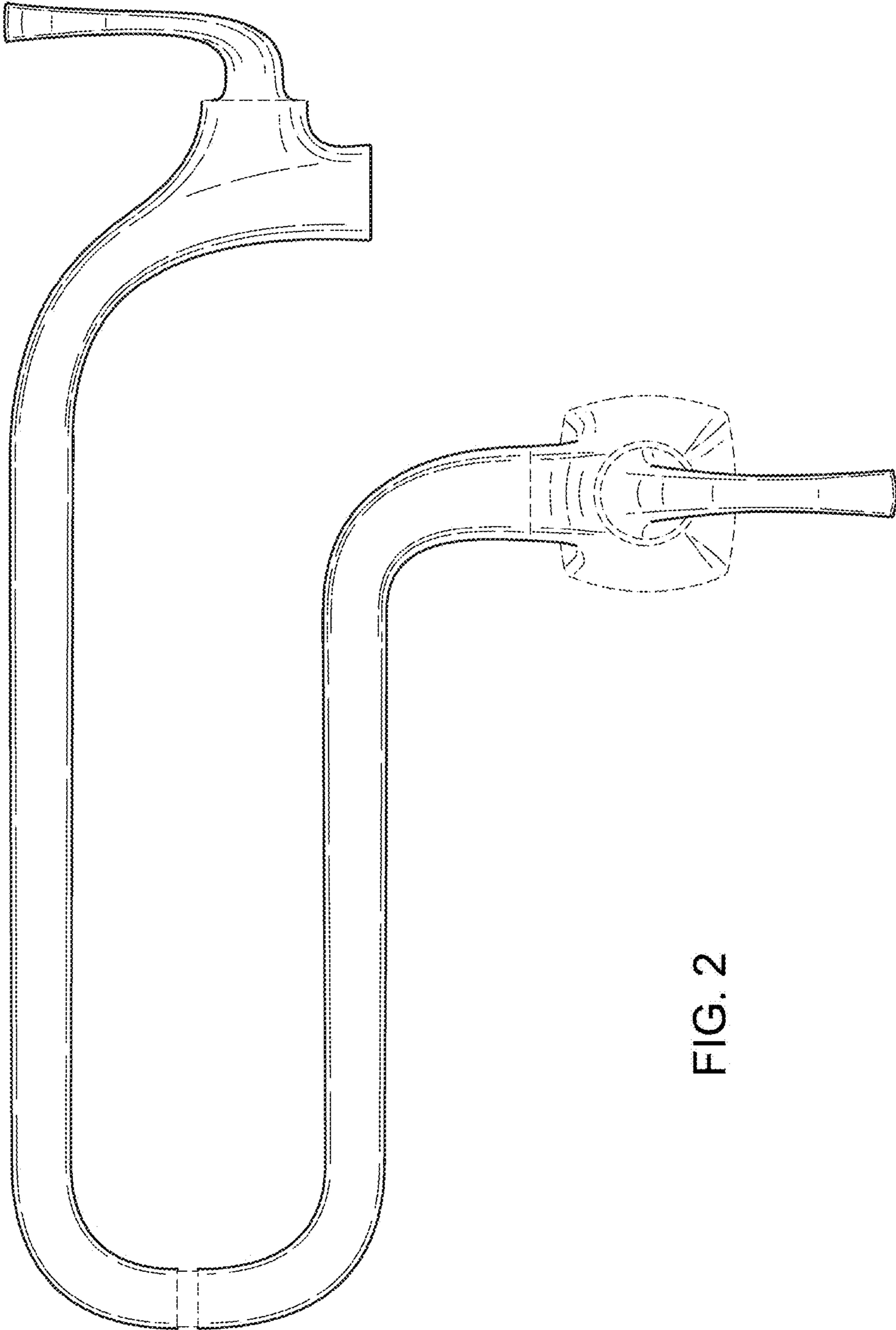


FIG. 2

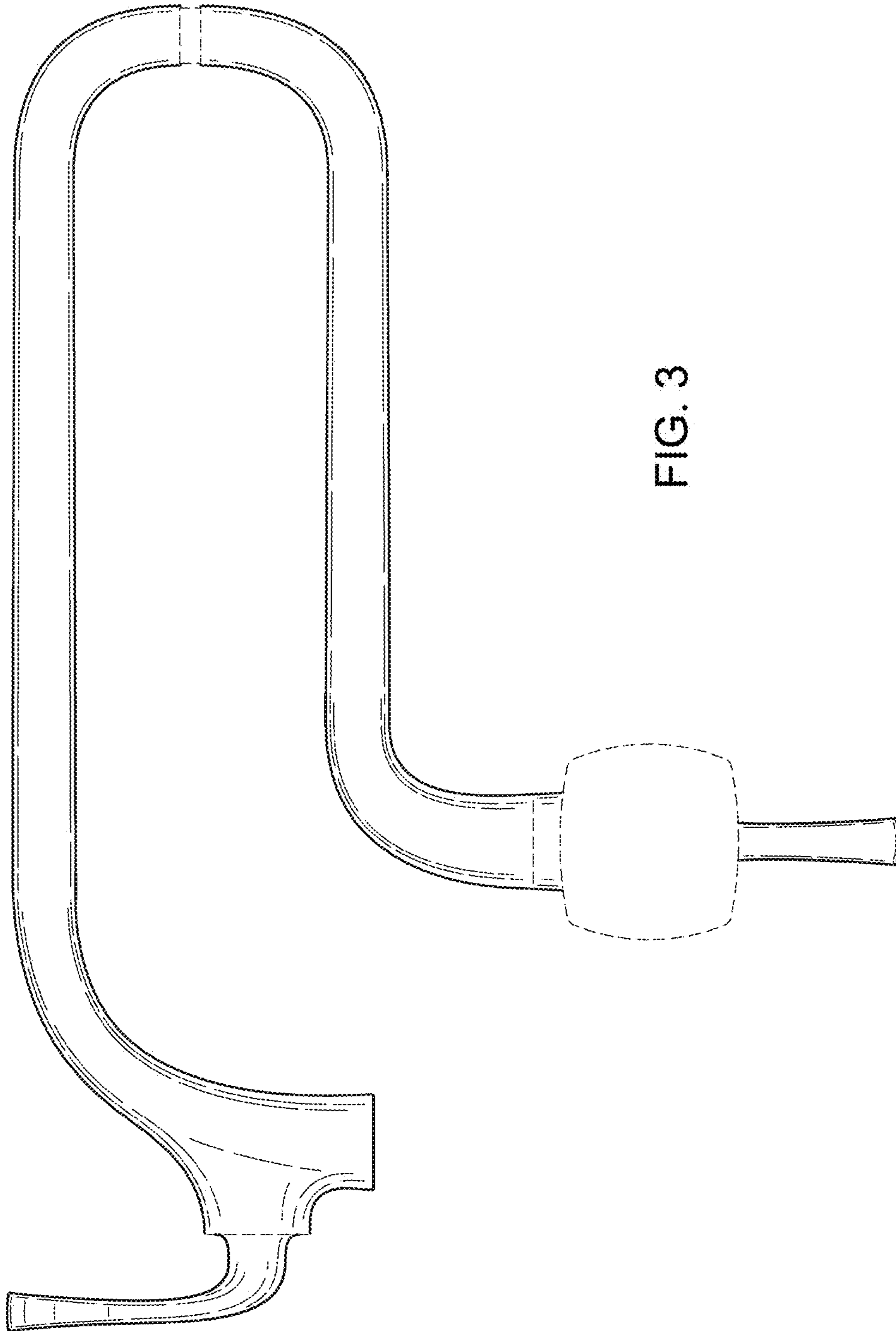


FIG. 3

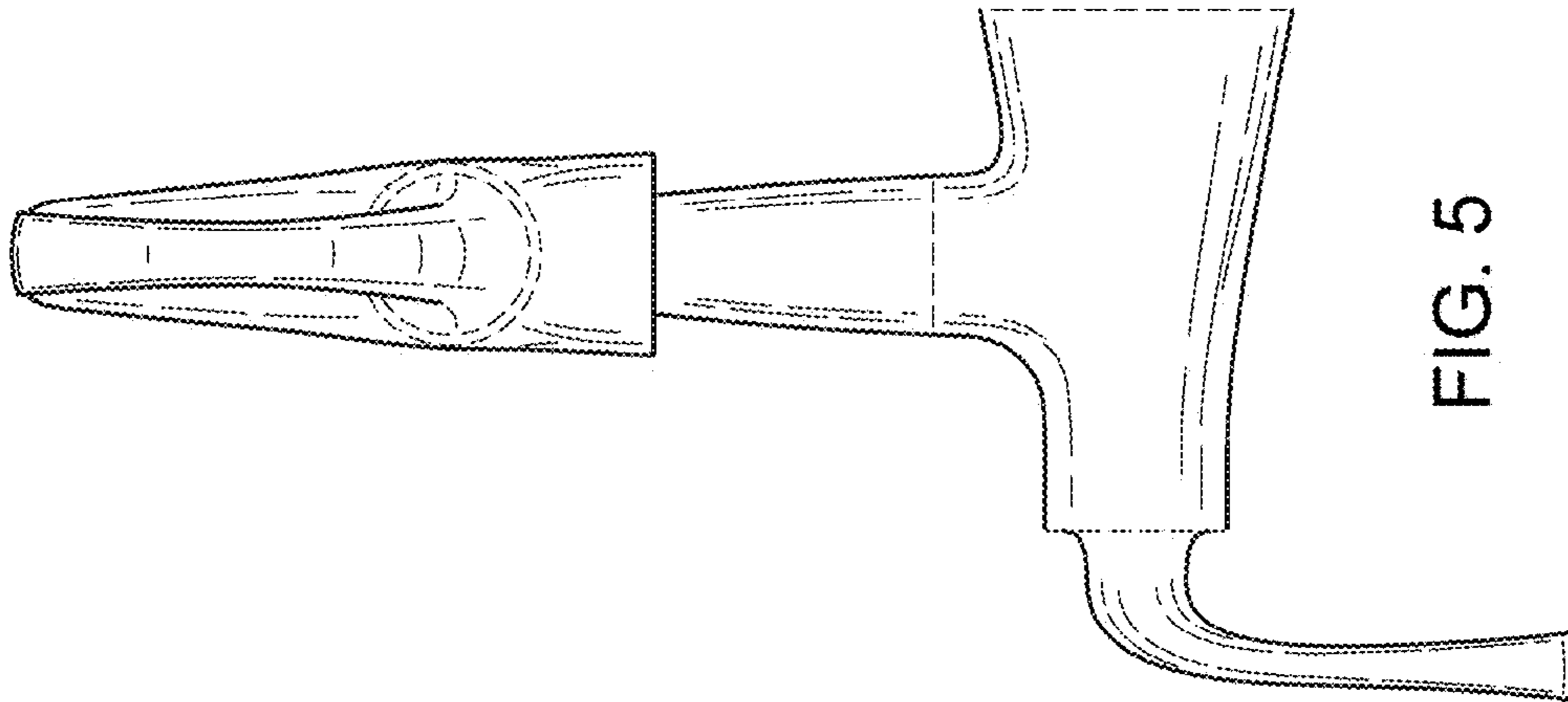


FIG. 5

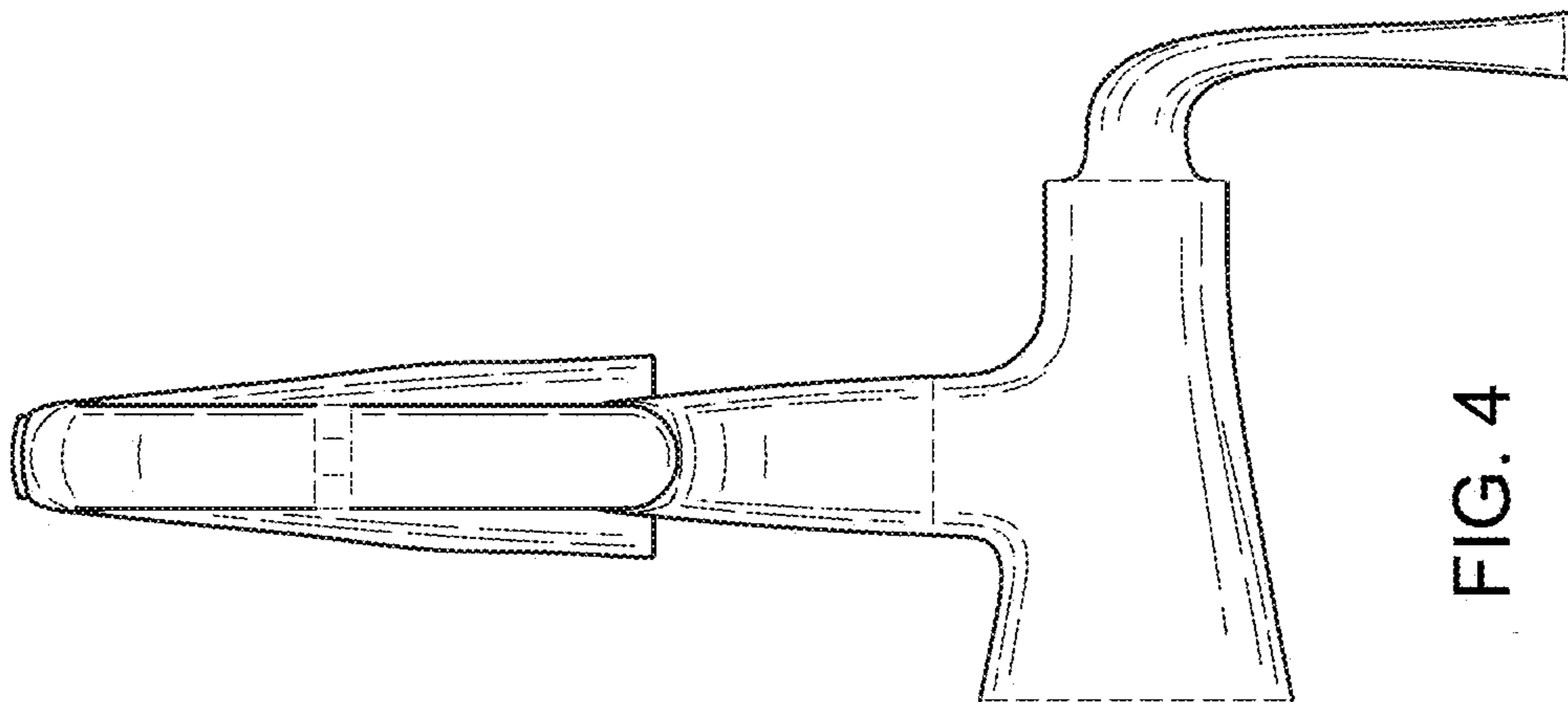


FIG. 4

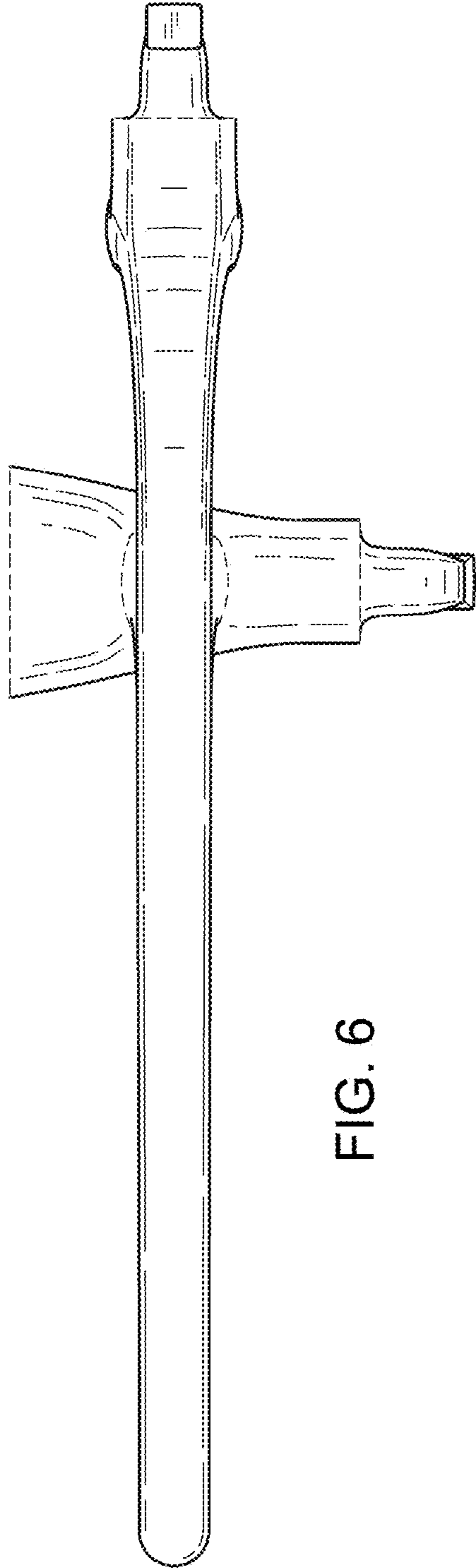


FIG. 6

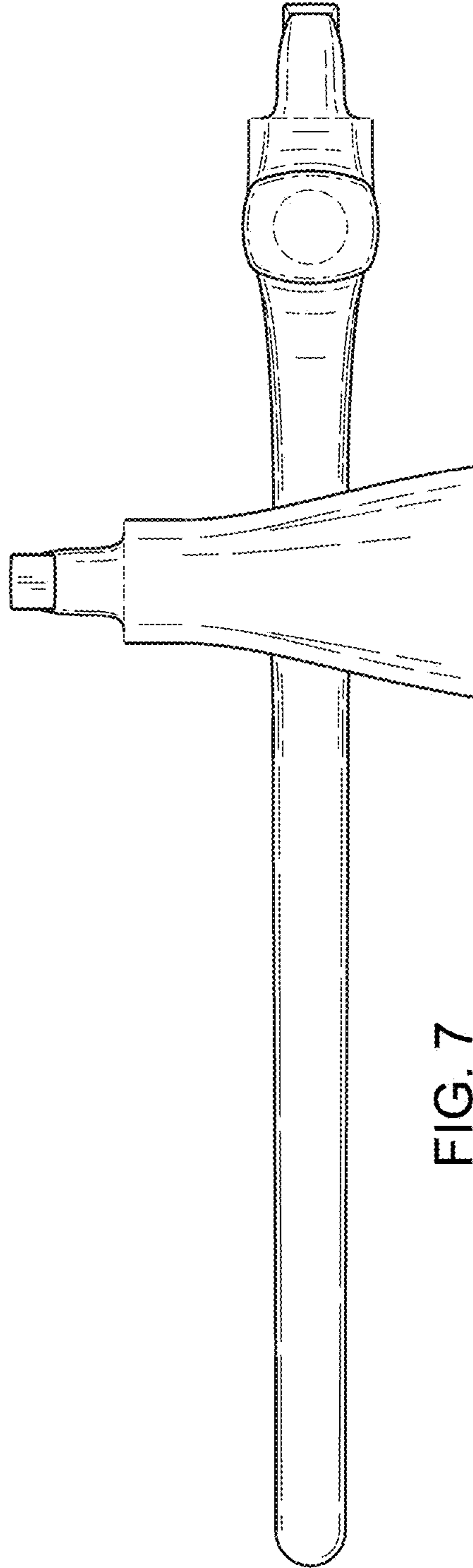


FIG. 7

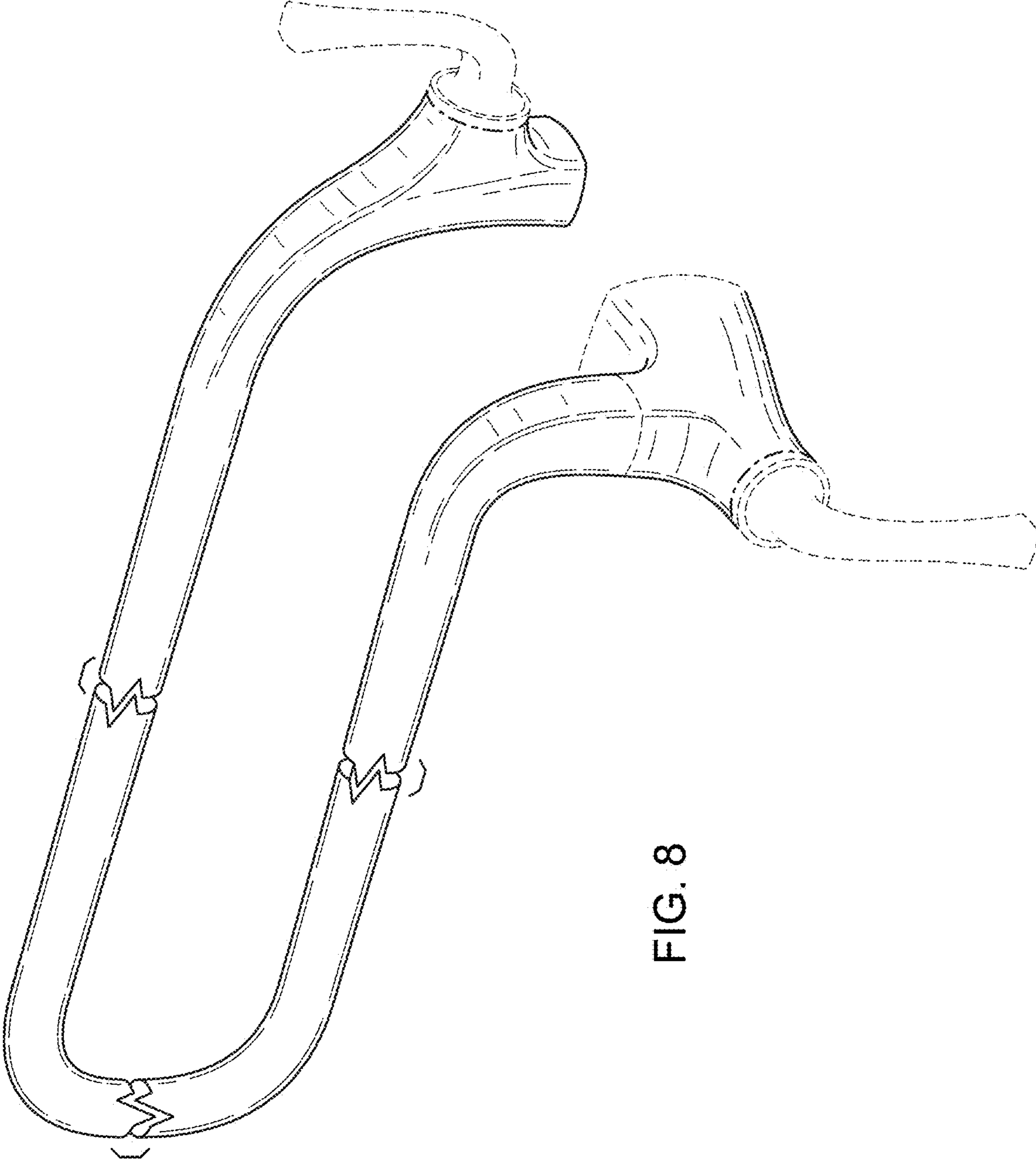


FIG. 8

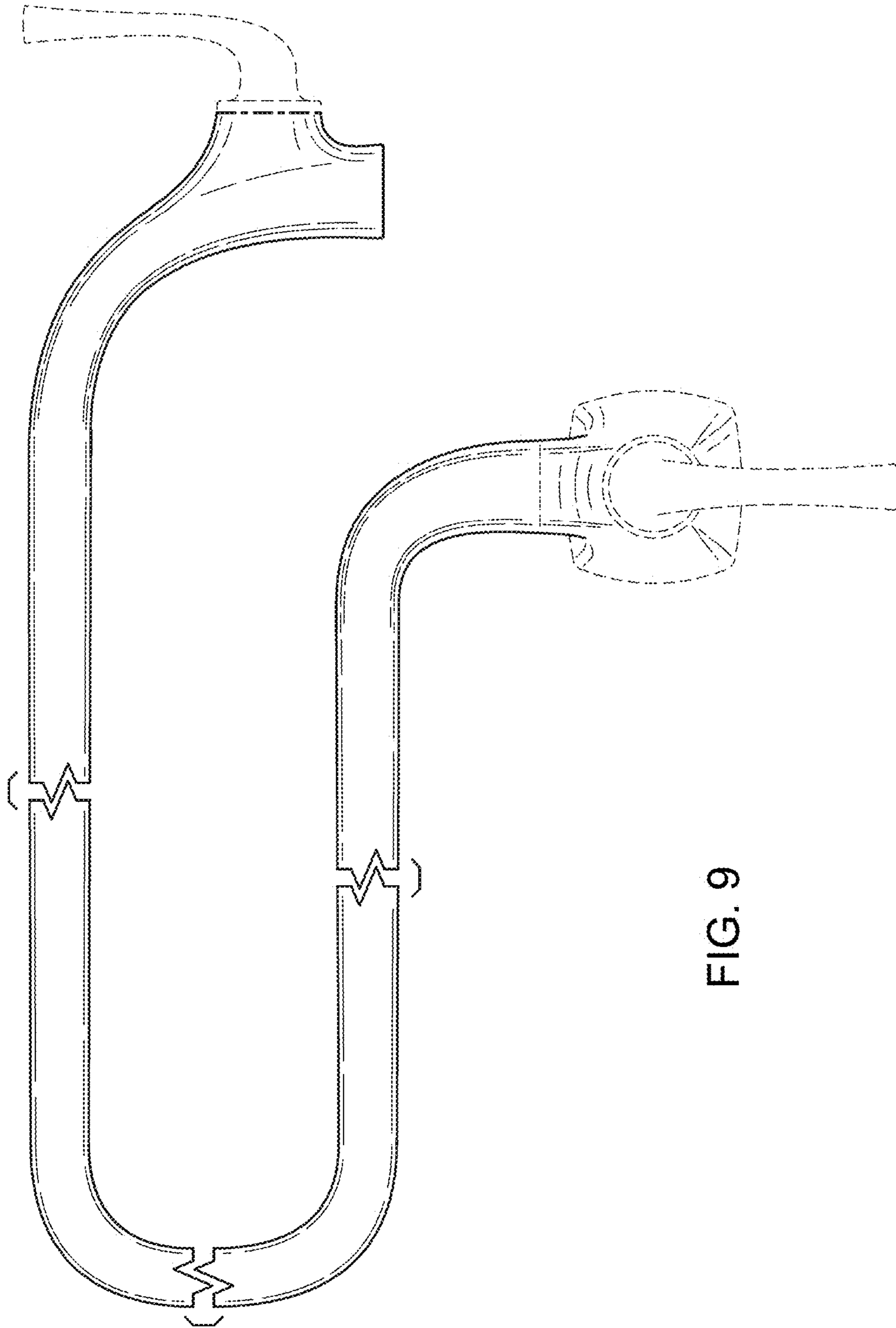


FIG. 9

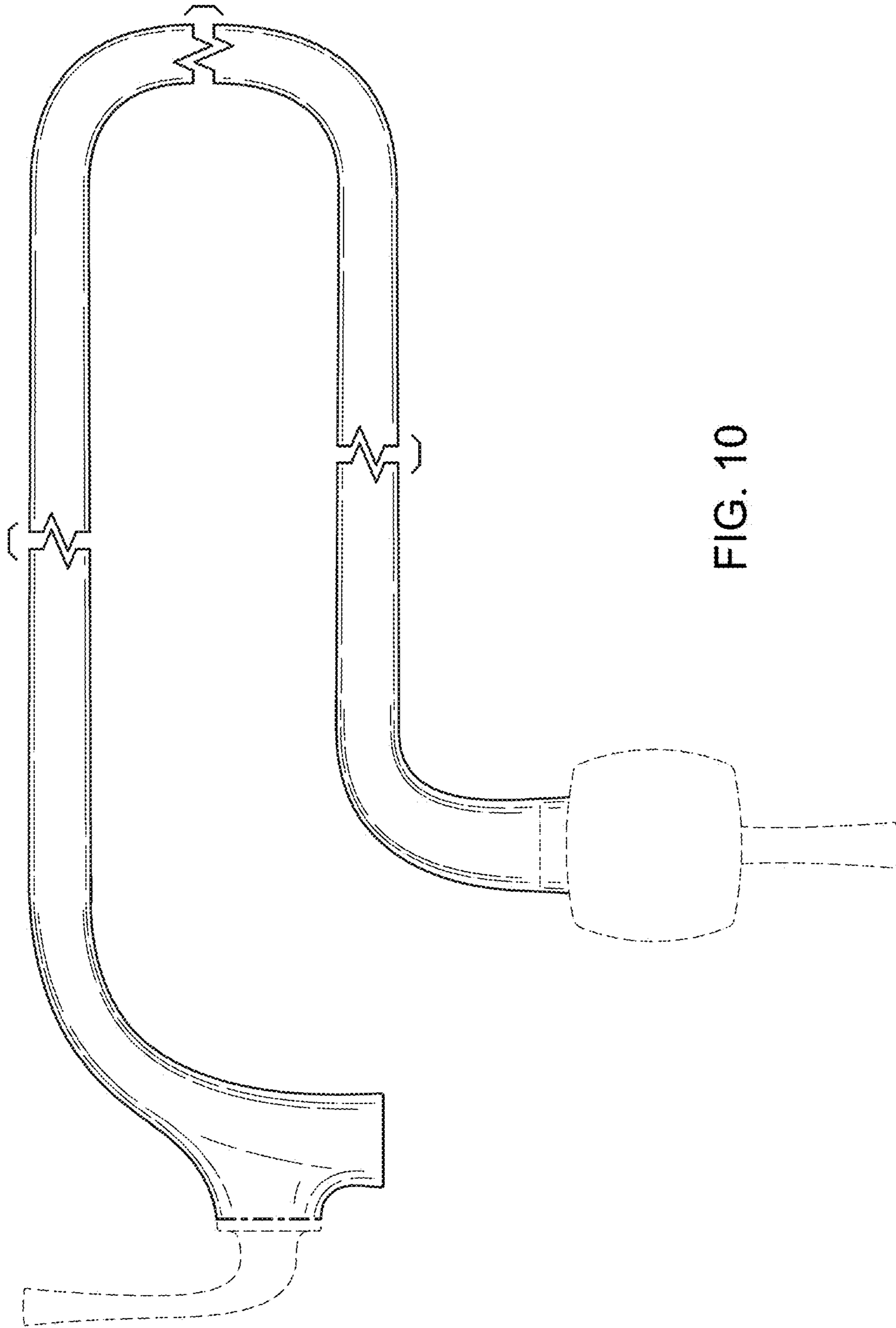


FIG. 10

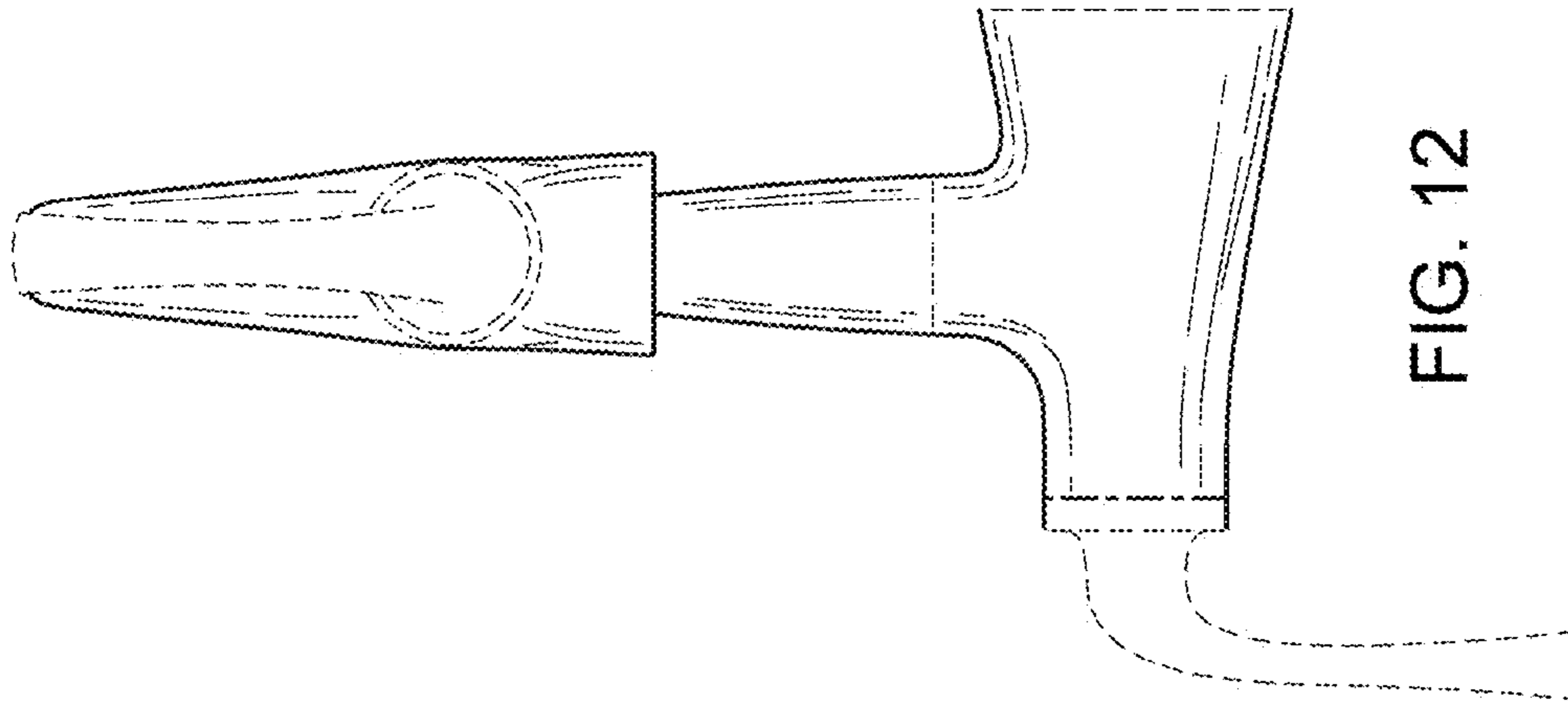


FIG. 12

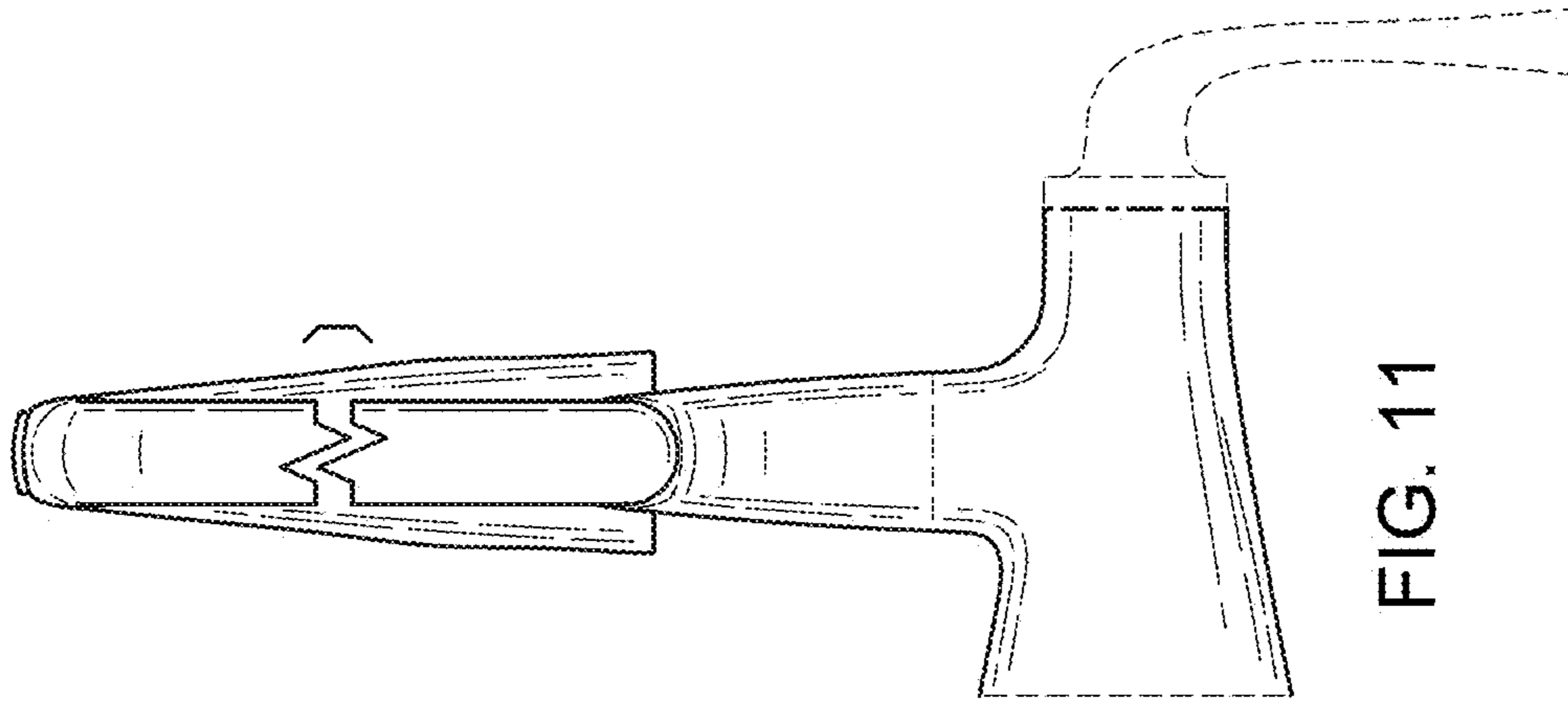


FIG. 11

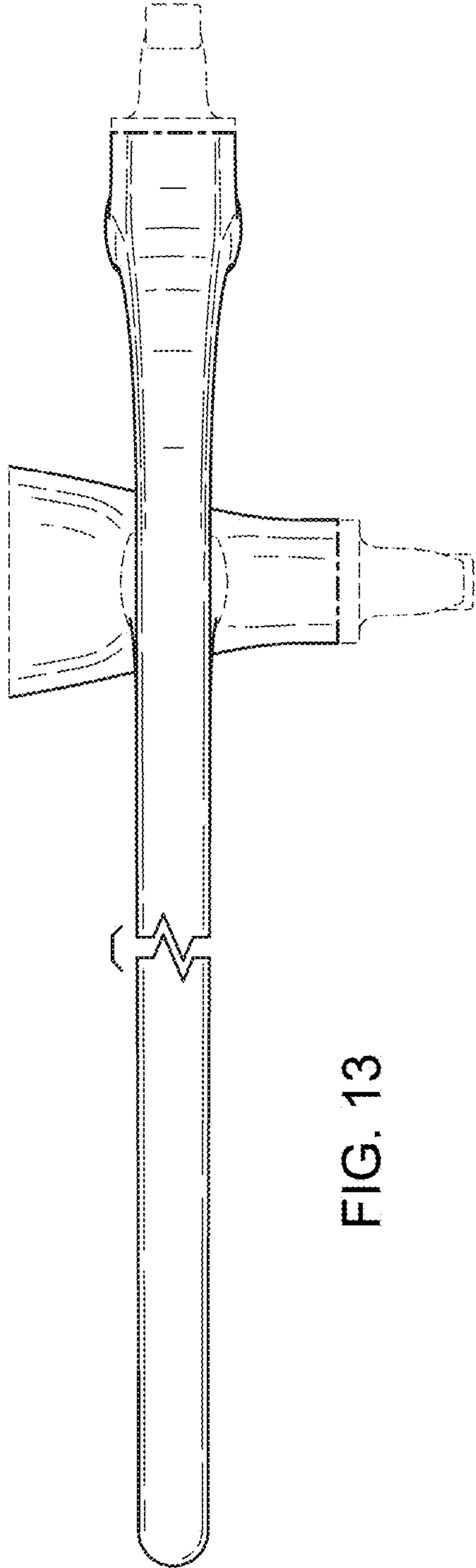


FIG. 13

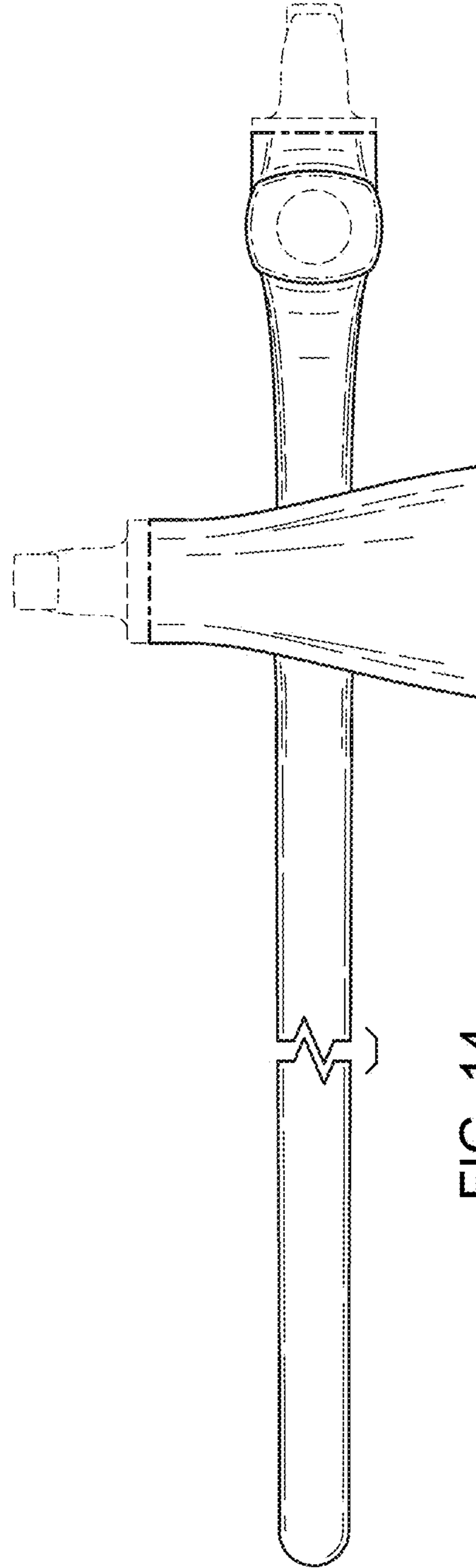


FIG. 14