



US00D891583S

(12) **United States Design Patent** (10) **Patent No.:** **US D891,583 S**
Li (45) **Date of Patent:** **** Jul. 28, 2020**

(54) **PRESSURE BALANCE VALVE** 8,056,823 B2 * 11/2011 Xie G05D 23/1353
236/12.11
(71) Applicant: **AS America, Inc.**, Piscataway, NJ (US) 8,434,691 B2 * 5/2013 Hong F16K 11/044
137/625.41
(72) Inventor: **Hsiao Chang Li**, Edison, NJ (US) D686,699 S * 7/2013 Evans, Jr. D23/233
D700,285 S * 2/2014 Yang D23/233
(73) Assignee: **AS America, Inc.**, Piscataway, NJ (US) 8,899,491 B2 * 12/2014 Knapp G05D 23/1353
236/100
(**) Term: **15 Years** 2008/0164330 A1 * 7/2008 Wei F16K 11/0743
236/12.1

(Continued)

(21) Appl. No.: **29/664,506**
(22) Filed: **Sep. 26, 2018**

Related U.S. Application Data

(63) Continuation of application No. 29/649,554, filed on May 31, 2018.
(51) **LOC (12) Cl.** **23-01**
(52) **U.S. Cl.**
USPC **D23/233**
(58) **Field of Classification Search**
USPC D23/233–237, 241–249; 137/98, 100,
137/597, 625.68, 7, 625.4, 625.41,
137/625.46, 337, 625.17; 236/12.11,
236/12.1, 12.23, 102, 91 R
CPC G05D 23/136; G05D 23/13; G05D 16/024;
G05D 23/1353; F16K 31/0693; F16K
39/022; F16K 11/00; F16K 11/0743;
F16K 11/044; F16K 17/20; F16K 27/02
See application file for complete search history.

References Cited

U.S. PATENT DOCUMENTS

D494,252 S * 8/2004 Kline D23/233
7,823,603 B2 * 11/2010 Cochart F16K 11/00
137/625.17
7,850,088 B2 * 12/2010 Wei F16K 11/0743
137/625
7,905,424 B2 * 3/2011 Li F16K 11/0743
137/625.4
7,918,241 B1 * 4/2011 Chang F16K 11/074
137/315.09

FOREIGN PATENT DOCUMENTS

CN 207486116 U 6/2018

OTHER PUBLICATIONS

Li et al., U.S. Office Action dated Oct. 9, 2019, directed to U.S. Appl. No. 29/649,554; 7 pages.

Primary Examiner — Gino Colan
(74) *Attorney, Agent, or Firm* — Morrison & Foerster LLP

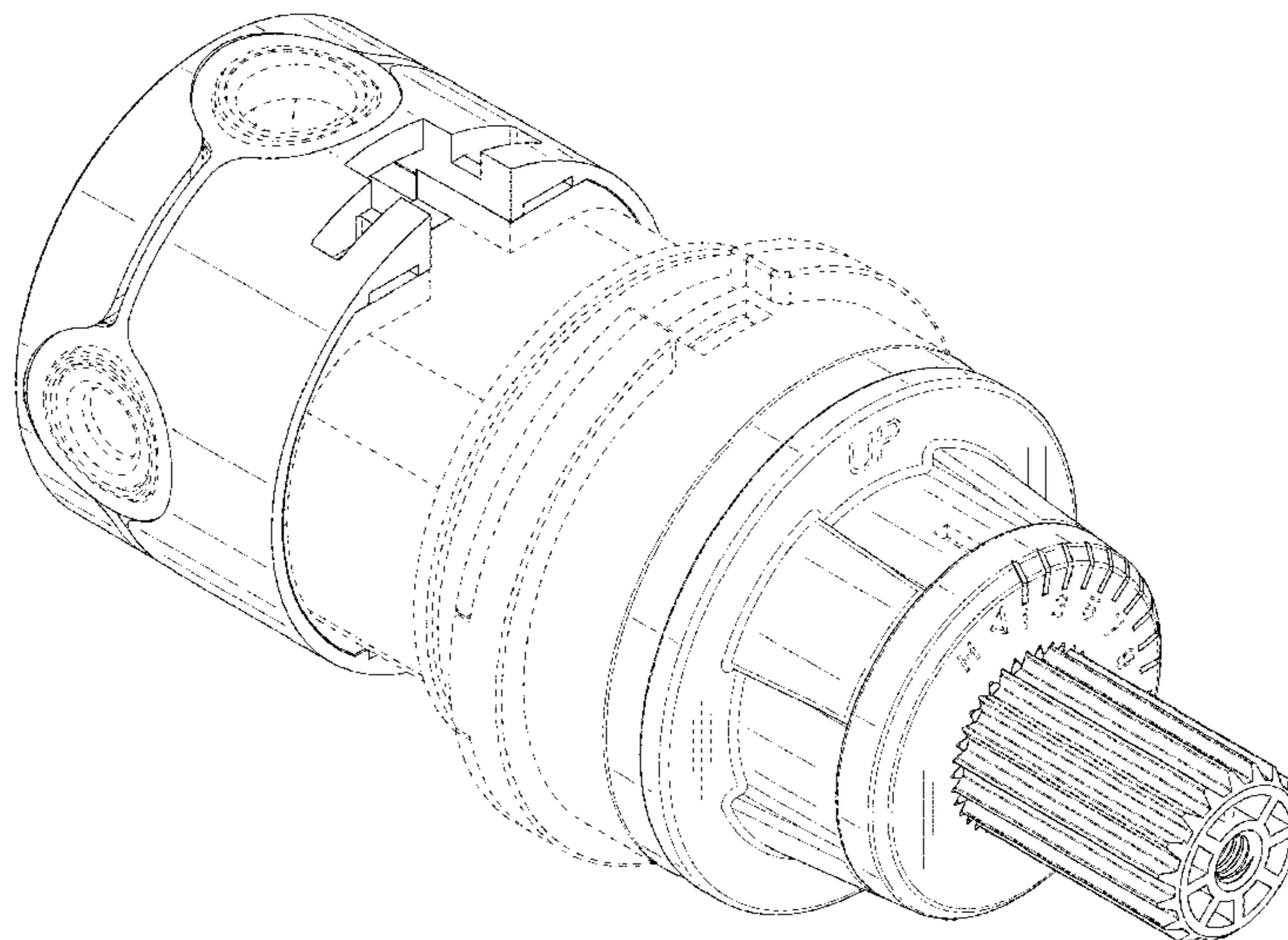
(57) **CLAIM**

I claim the ornamental design for a pressure balance valve, as shown and described.

DESCRIPTION

FIG. 1 is a front perspective view of a pressure balance valve showing my new design;
FIG. 2 is a rear perspective view thereof;
FIG. 3 is a front elevational view thereof;
FIG. 4 is a rear elevational view thereof;
FIG. 5 is a right side elevational view thereof;
FIG. 6 is a left side elevational view thereof;
FIG. 7 is a top plan view thereof; and,
FIG. 8 is a bottom plan view thereof.
The broken lines shown in the figures are for the purpose of illustrating portions of the pressure balance valve and form no part of the claimed design.

1 Claim, 8 Drawing Sheets



(56)

References Cited

U.S. PATENT DOCUMENTS

2009/0308939 A1 * 12/2009 Li F16K 11/0743
236/12.2

* cited by examiner

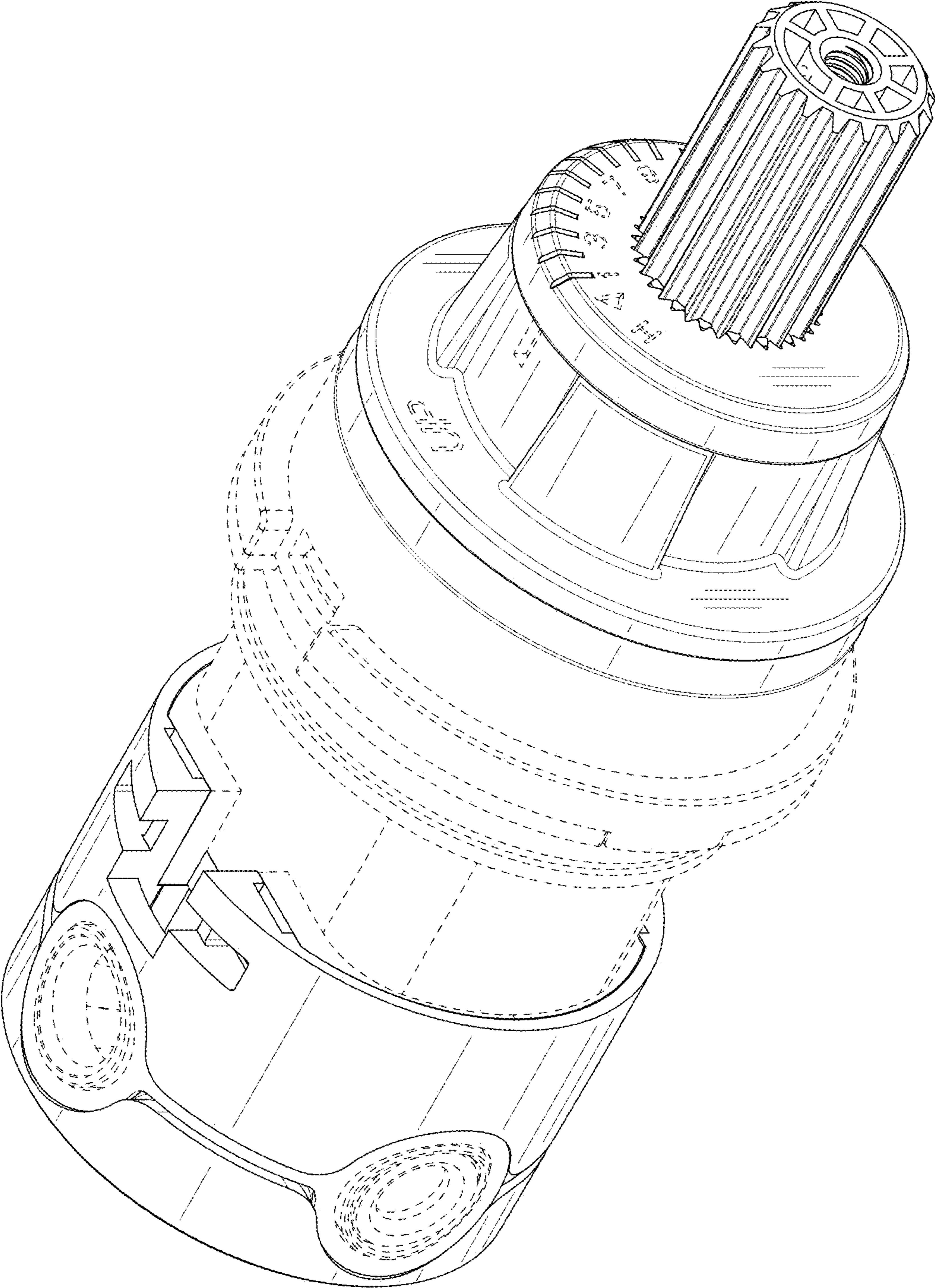


FIG. 1

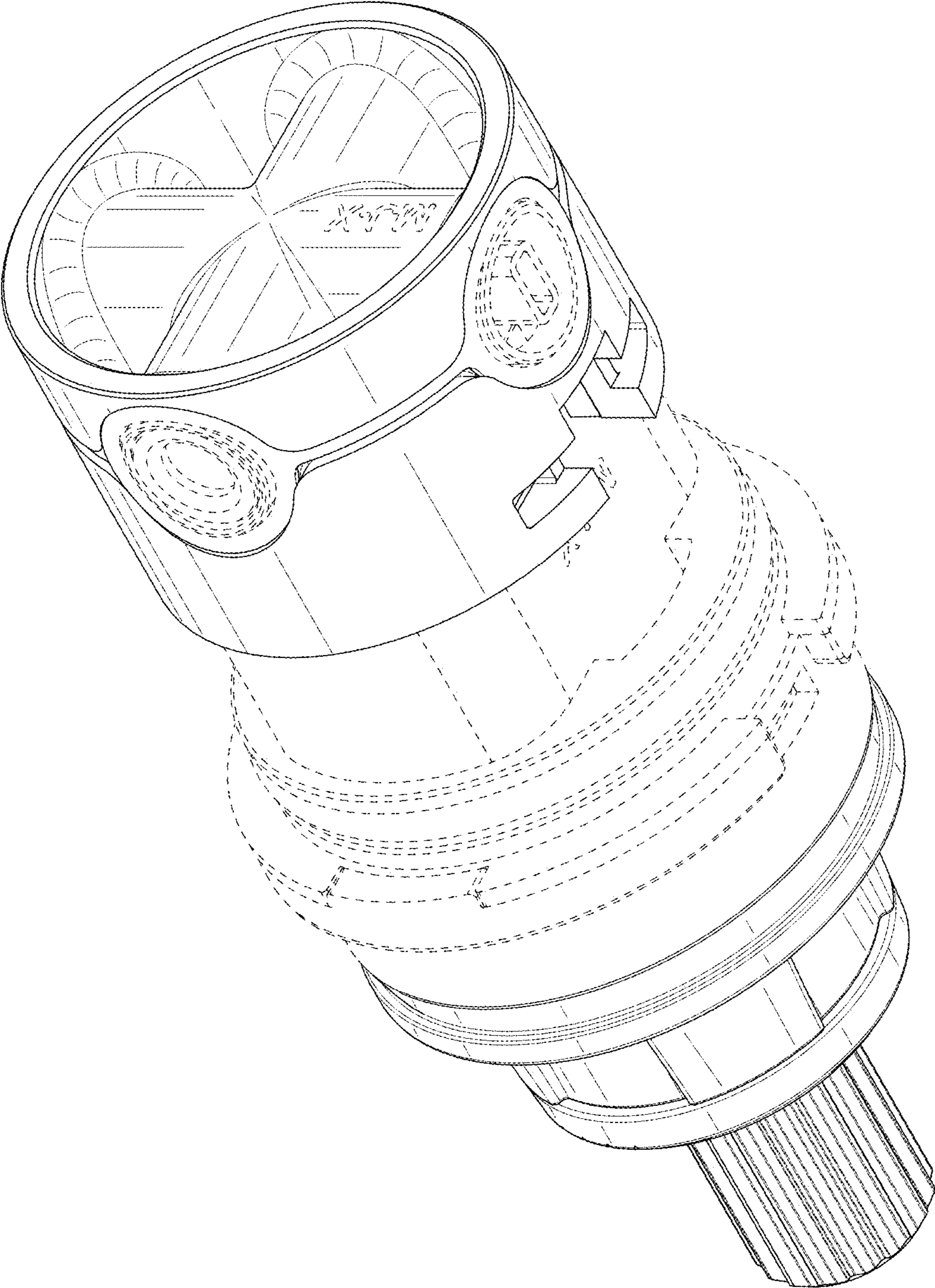


FIG. 2

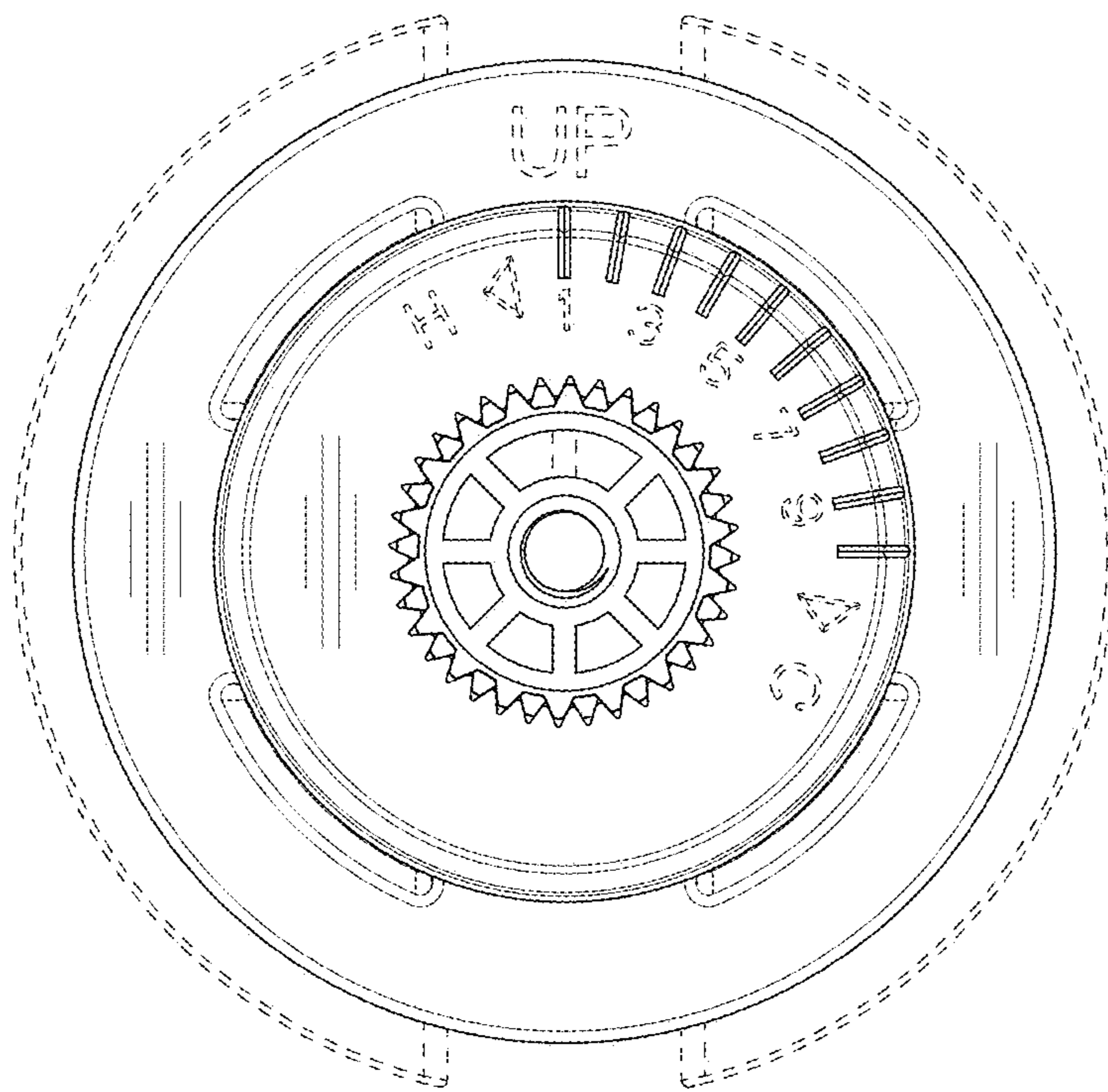


FIG. 3

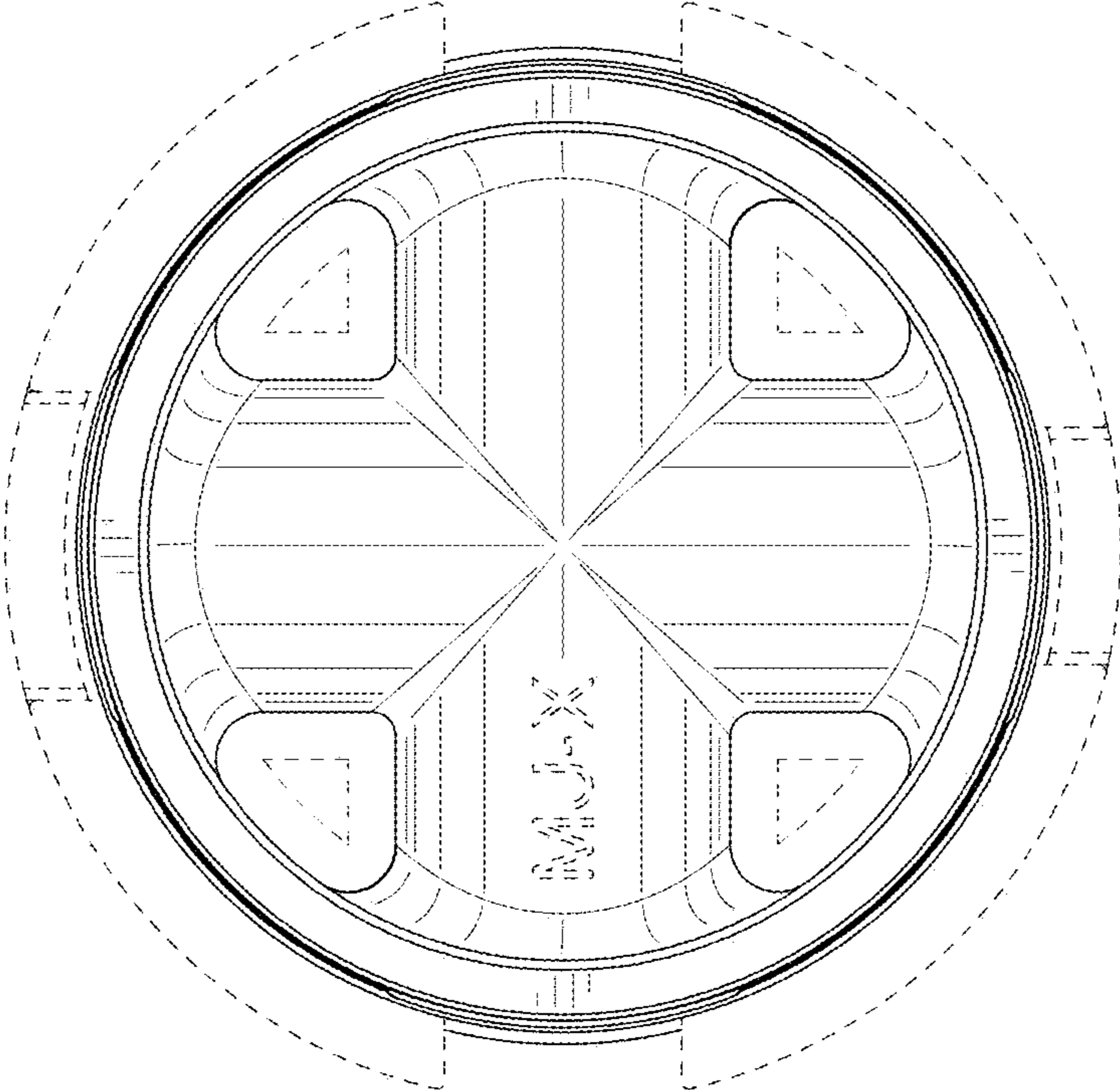


FIG. 4

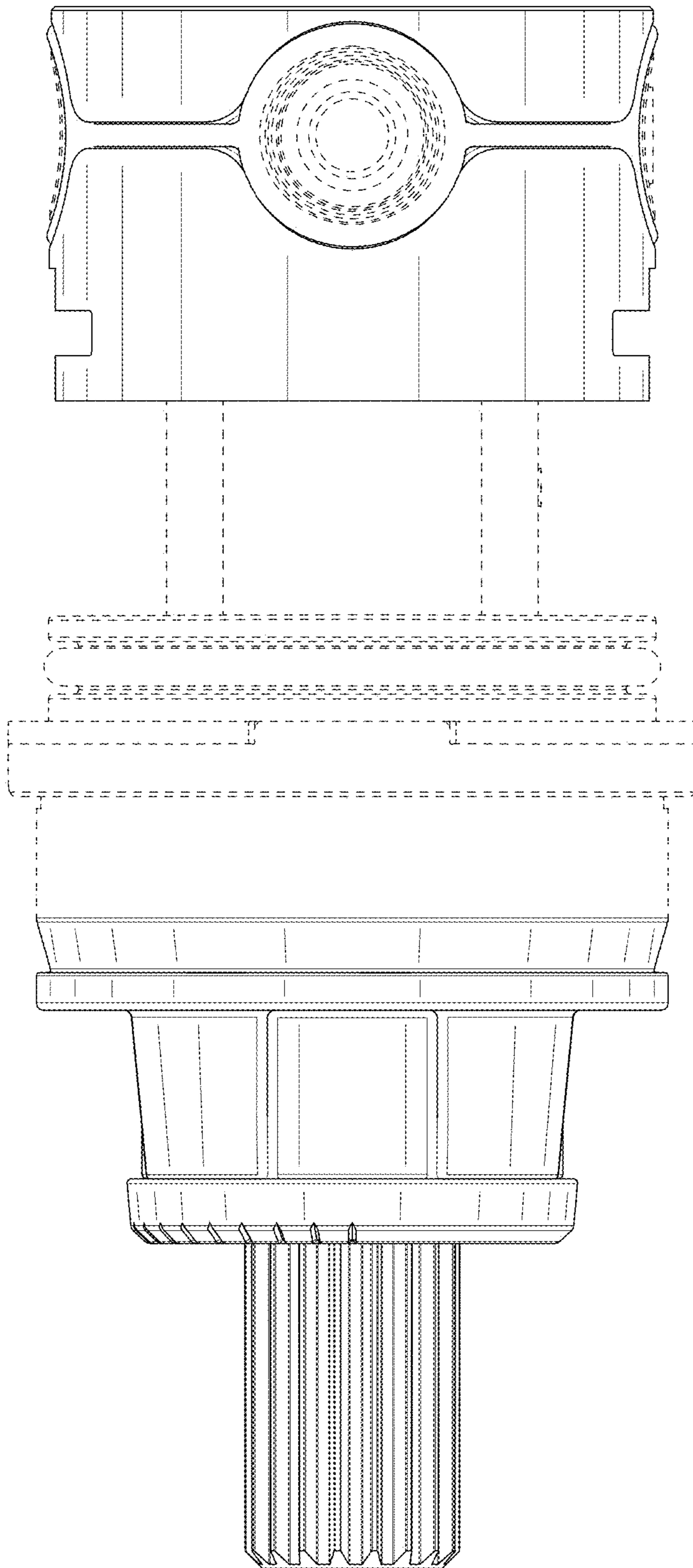


FIG. 5

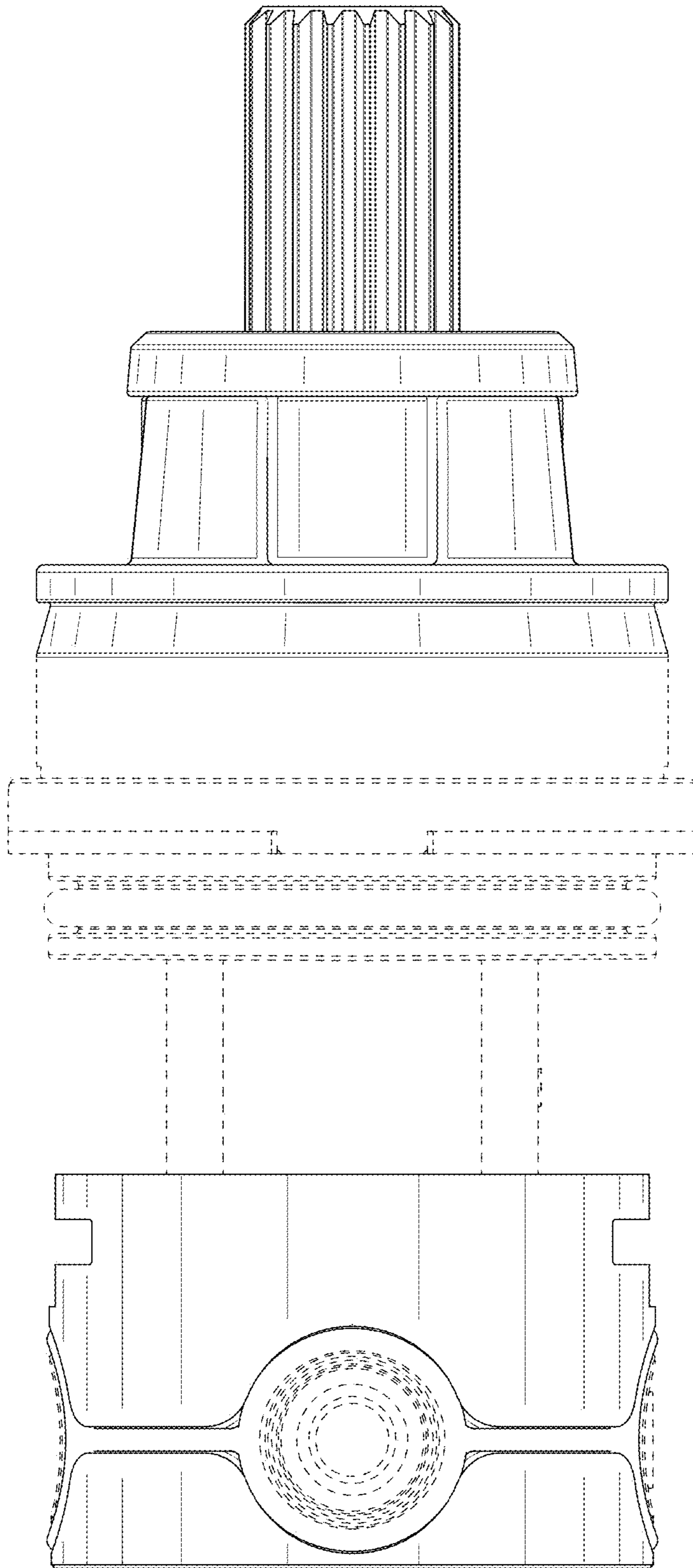


FIG. 6

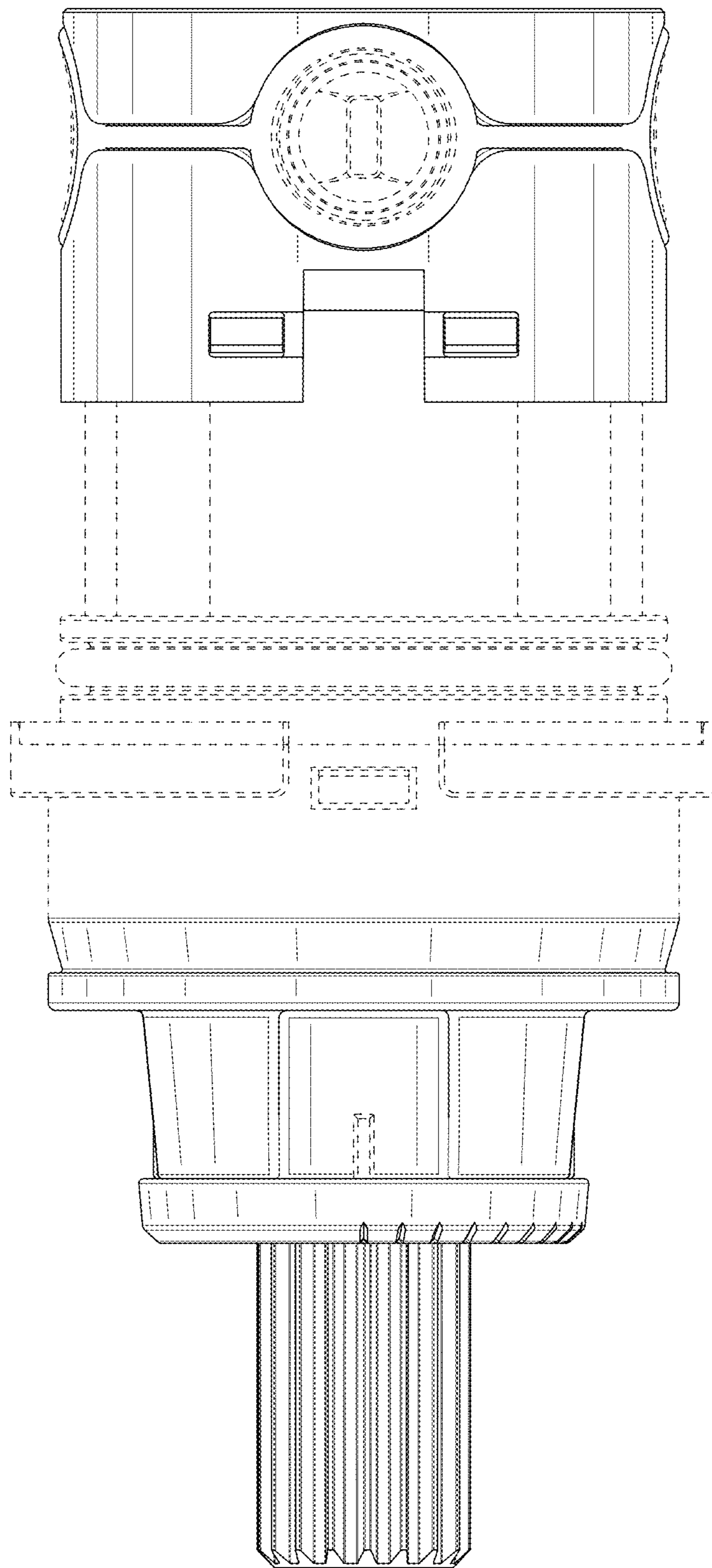


FIG. 7

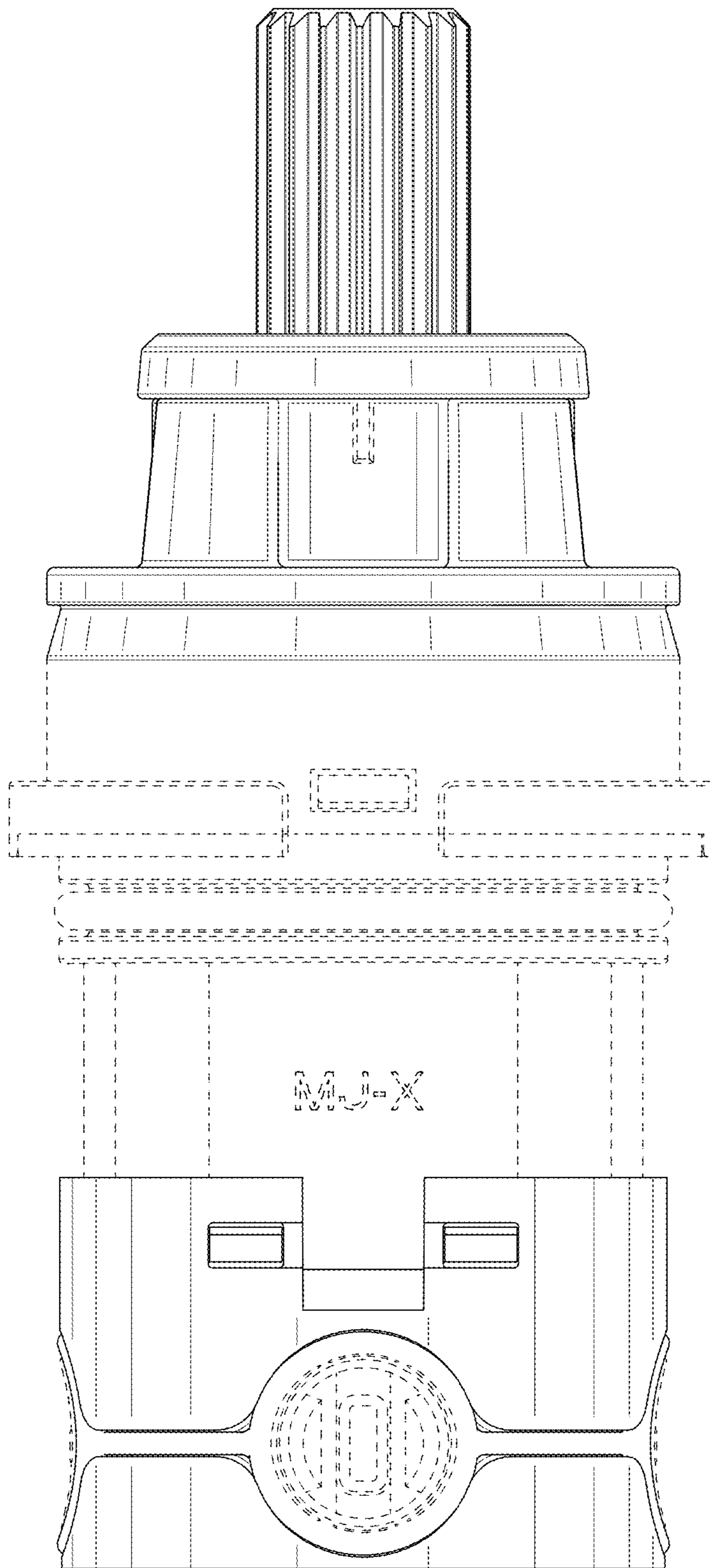


FIG. 8