



US00D891582S

(12) **United States Design Patent**
Hamlin et al.

(10) **Patent No.:** **US D891,582 S**

(45) **Date of Patent:** **** Jul. 28, 2020**

(54) **PNEUMATIC MATERIAL SPRAY GUN**

(71) Applicant: **PPG ARCHITECTURAL FINISHES, INC.**, Pittsburgh, PA (US)

(72) Inventors: **Christopher R. Hamlin**, Seattle, WA (US); **Robert G. Carrasca**, Seattle, WA (US); **Kathryn R. Crabb**, Vancouver, WA (US)

(73) Assignee: **PPG Architectural Finishes, Inc.**, Pittsburgh, PA (US)

(**) Term: **15 Years**

(21) Appl. No.: **29/675,217**

(22) Filed: **Dec. 28, 2018**

(51) **LOC (12) Cl.** **23-01**

(52) **U.S. Cl.**
USPC **D23/226; D21/572; D21/575**

(58) **Field of Classification Search**
USPC D23/213, 214, 215, 223, 224, 226, 229, D23/230; D21/572, 575
CPC A61H 9/0021; A61H 33/00; B05B 1/00; B05B 1/14; B05B 1/185; B05B 1/08; B05B 1/02; B05B 1/26; B05B 12/002; B05B 1/18; B05B 9/01

See application file for complete search history.

(56) **References Cited**

U.S. PATENT DOCUMENTS

D309,759 S *	8/1990	Mak	D21/401
D344,109 S *	2/1994	Lin	D21/575
D410,995 S *	6/1999	Hsin-Fa	D23/226
D411,607 S *	6/1999	Wang	D23/226
D415,251 S *	10/1999	Kuo	D23/226
D415,253 S *	10/1999	Kuo	D23/226
D419,641 S *	1/2000	Wilson	D23/213
D421,483 S *	3/2000	Patrick	D23/226
D422,056 S *	3/2000	Patrick	D23/226
D423,063 S *	4/2000	D'Andrade	D21/572

D423,609 S *	4/2000	D'Andrade	D21/572
D428,077 S *	7/2000	Zimmerman	D21/572
D429,778 S *	8/2000	D'Andrade	D21/572
D451,582 S *	12/2001	Kuo	D23/226
D457,221 S *	5/2002	Alkalay	D23/226
D501,914 S *	2/2005	Chen	D23/223
D512,122 S *	11/2005	Yorns	D23/223

(Continued)

FOREIGN PATENT DOCUMENTS

DE	9011965	11/1990
EP	0525562	2/1993

(Continued)

OTHER PUBLICATIONS

<http://afisupply.com/shop/products/guns-and-parts/graco/fusion-mechanical-purge/> (Year: 2020).*

Primary Examiner — Manpreet S Matharu

Assistant Examiner — Keith J Wilson

(74) *Attorney, Agent, or Firm* — Alan G. Towner

(57) **CLAIM**

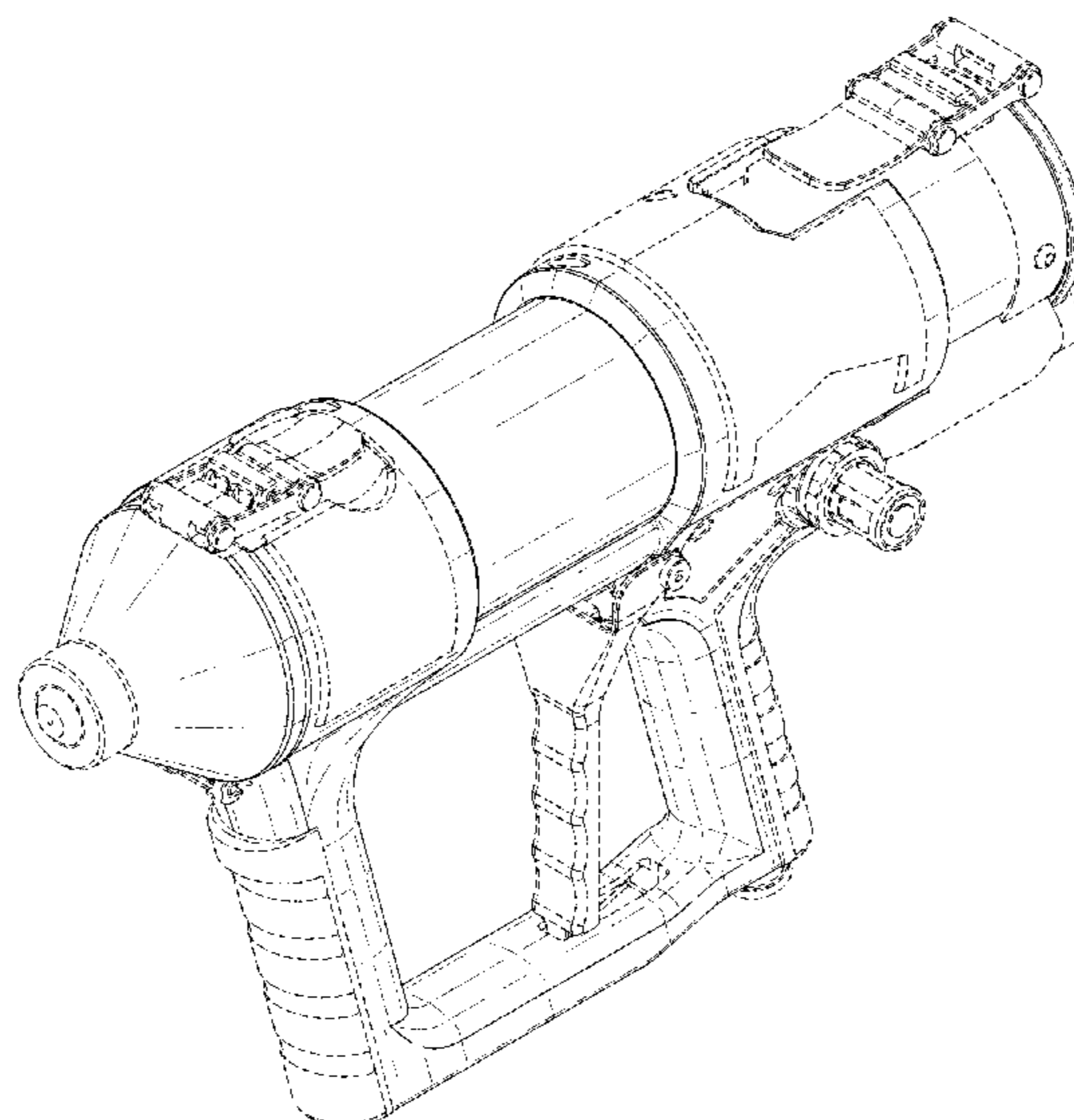
The ornamental design for a pneumatic material spray gun, as shown and described.

DESCRIPTION

FIG. 1 is a top and front isometric view of a pneumatic material spray gun showing our new design; FIG. 2 is a top and rear isometric view thereof; FIG. 3 is a left side view thereof; FIG. 4 is a right side view thereof; FIG. 5 is a front view thereof; FIG. 6 is a back view thereof; FIG. 7 is a top view thereof; and, FIG. 8 is a bottom view thereof.

The broken lines depict portions of the pneumatic material spray gun in which the design is embodied and form no part of the claimed design.

1 Claim, 8 Drawing Sheets



(56)

References Cited

U.S. PATENT DOCUMENTS

D513,058 S * 12/2005 Hayduk D23/226
D542,381 S * 5/2007 Jou D23/226
D553,223 S * 10/2007 Yu D23/226
D578,603 S * 10/2008 Khaitov D23/213
D629,067 S * 12/2010 Carpanese D23/226
D636,848 S * 4/2011 Fontaine D23/226
D745,636 S * 12/2015 Lin D23/226
D762,785 S * 8/2016 Ueda D21/575
D770,594 S * 11/2016 Dammkoehler D23/226

FOREIGN PATENT DOCUMENTS

EP 0548509 6/1993
FR 1209697 3/1960
WO 2019-578815 * 12/2018 B05B 7/24

* cited by examiner

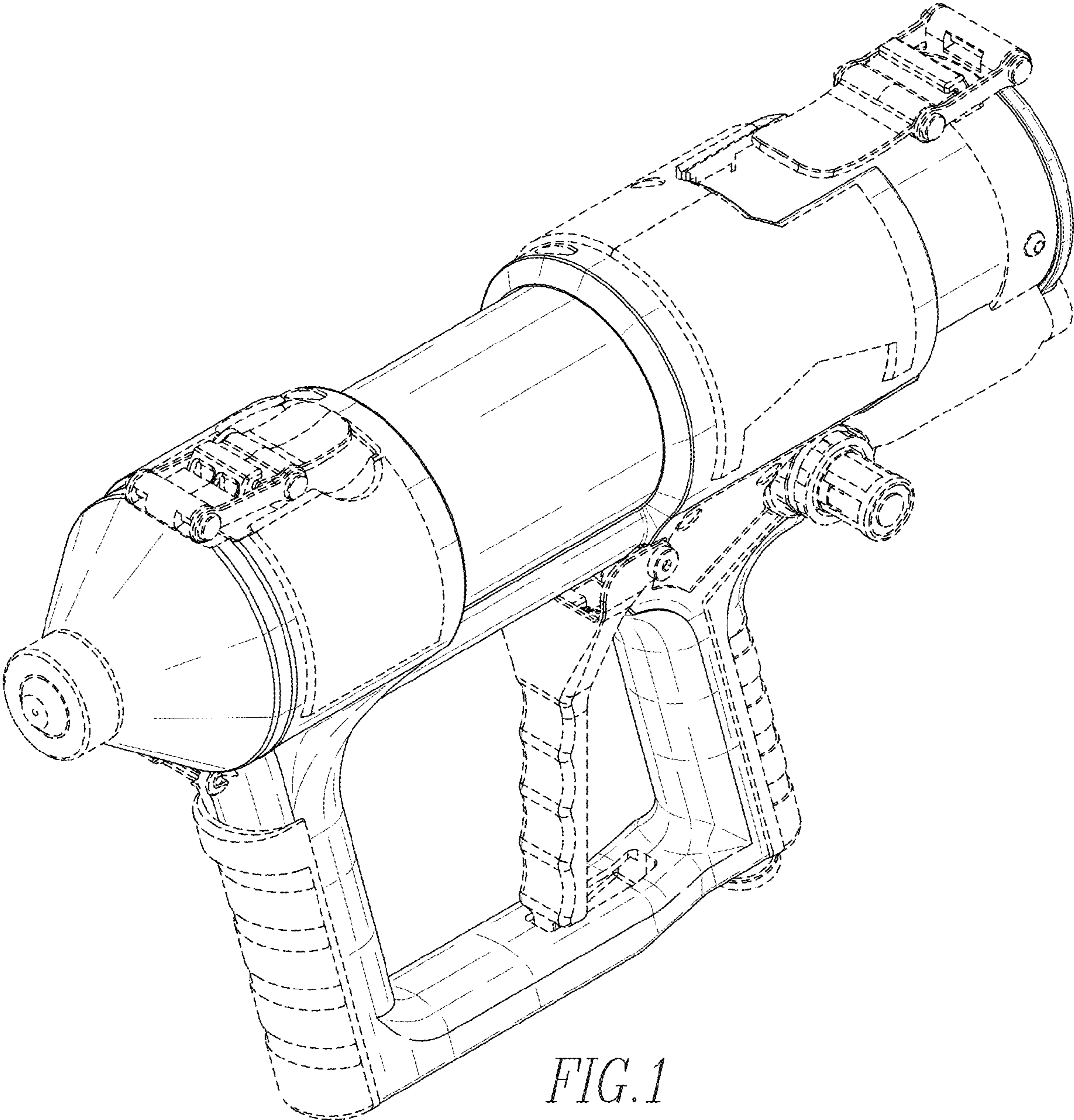
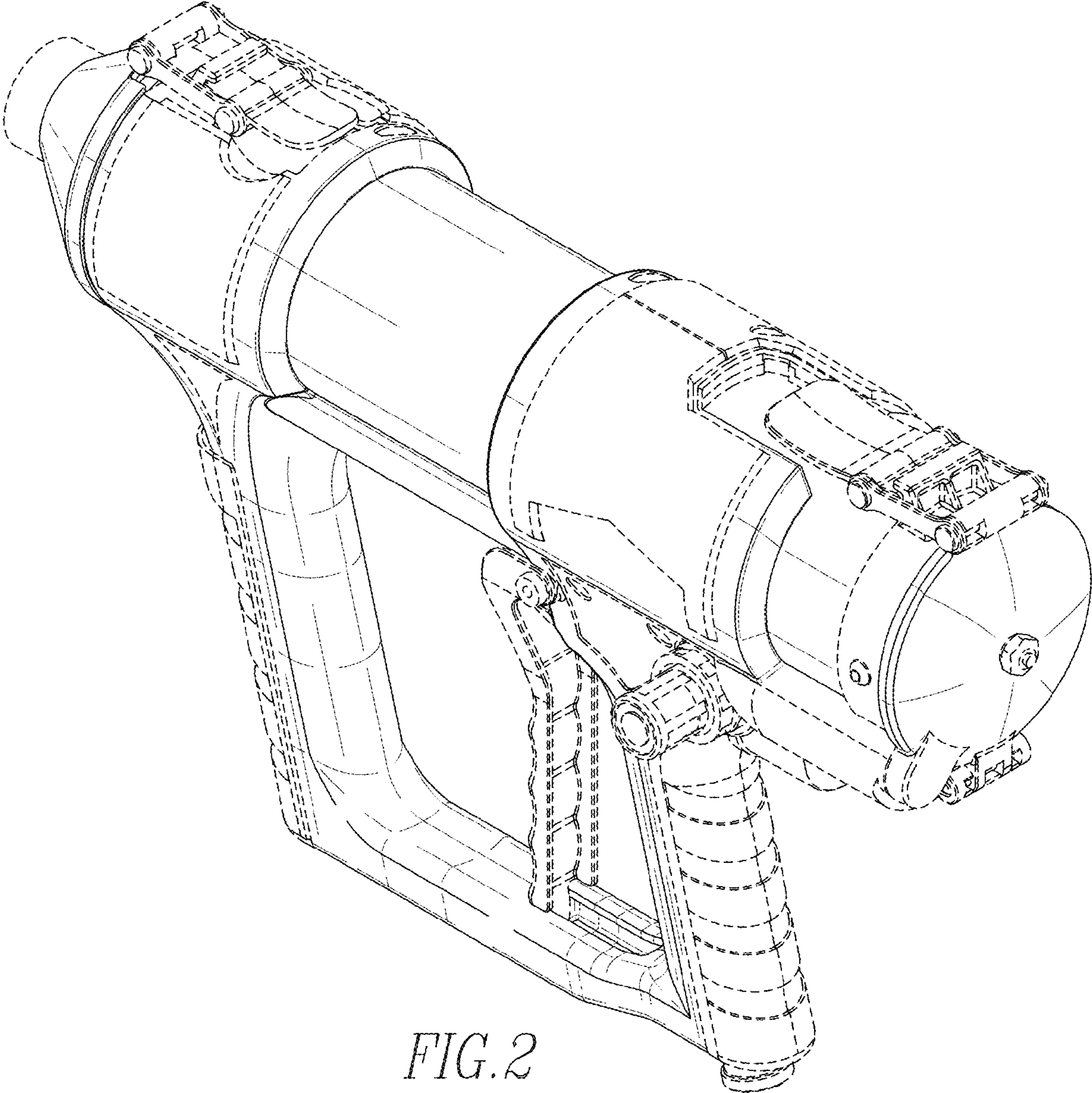


FIG. 1



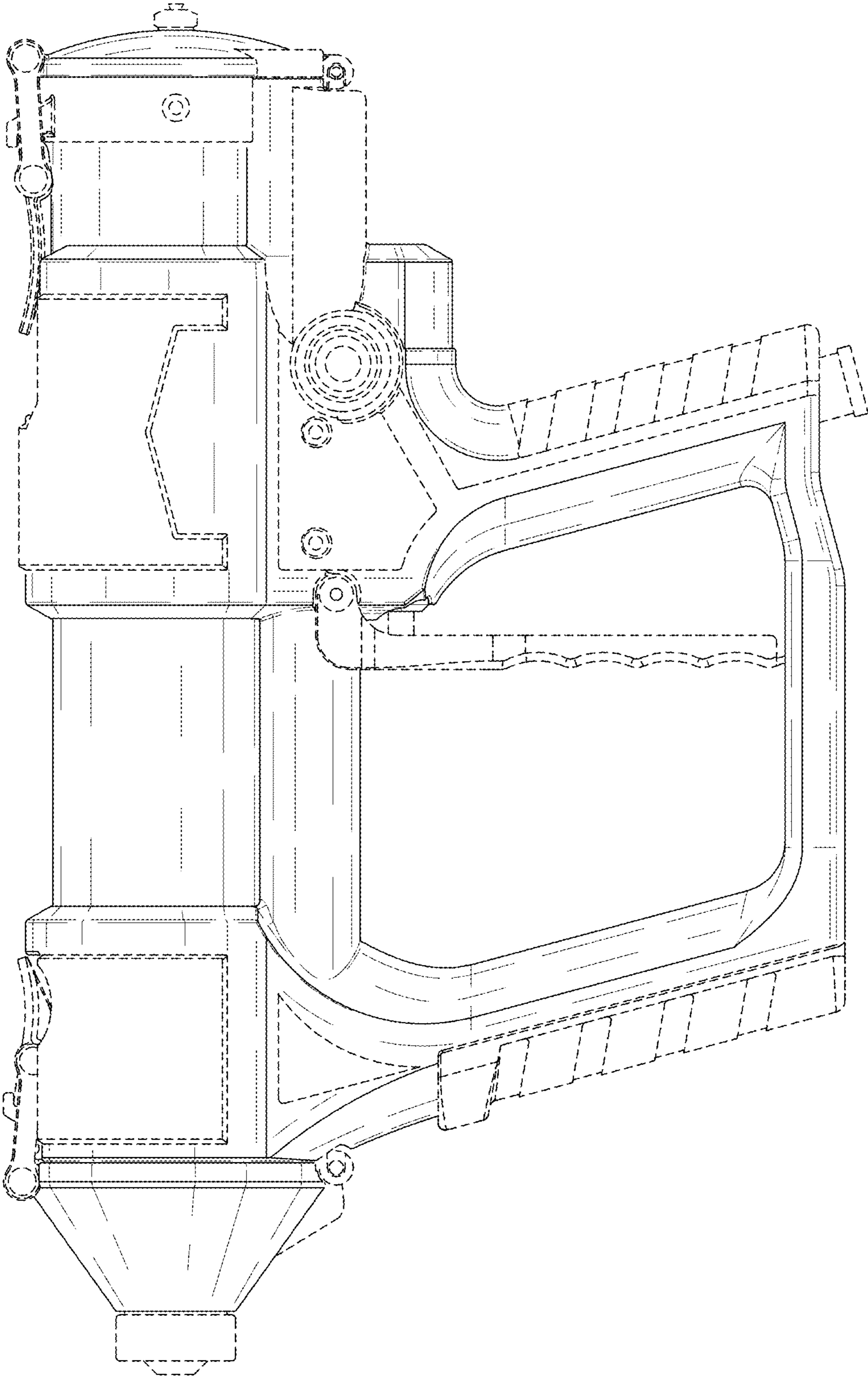


FIG. 3

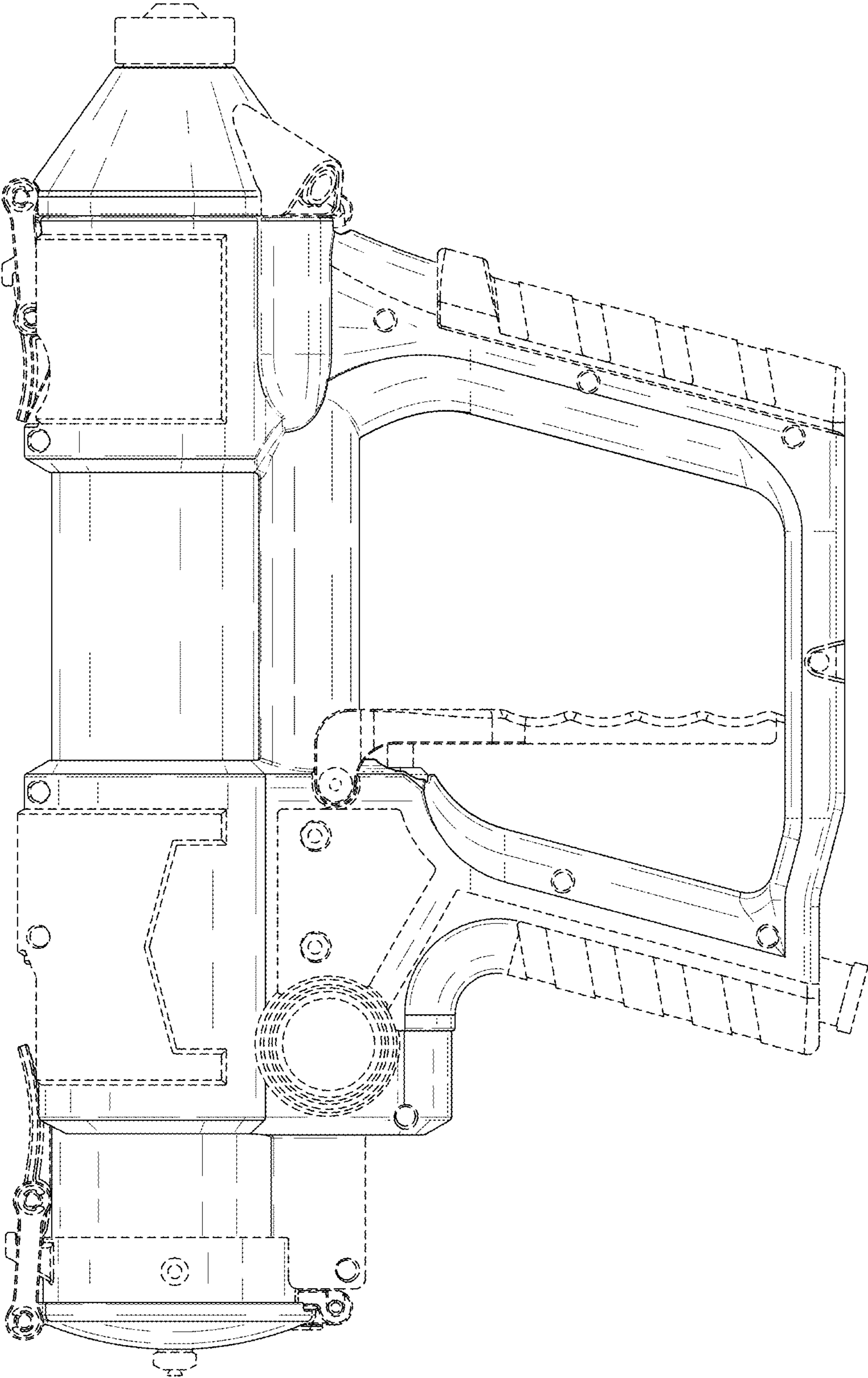


FIG. 4

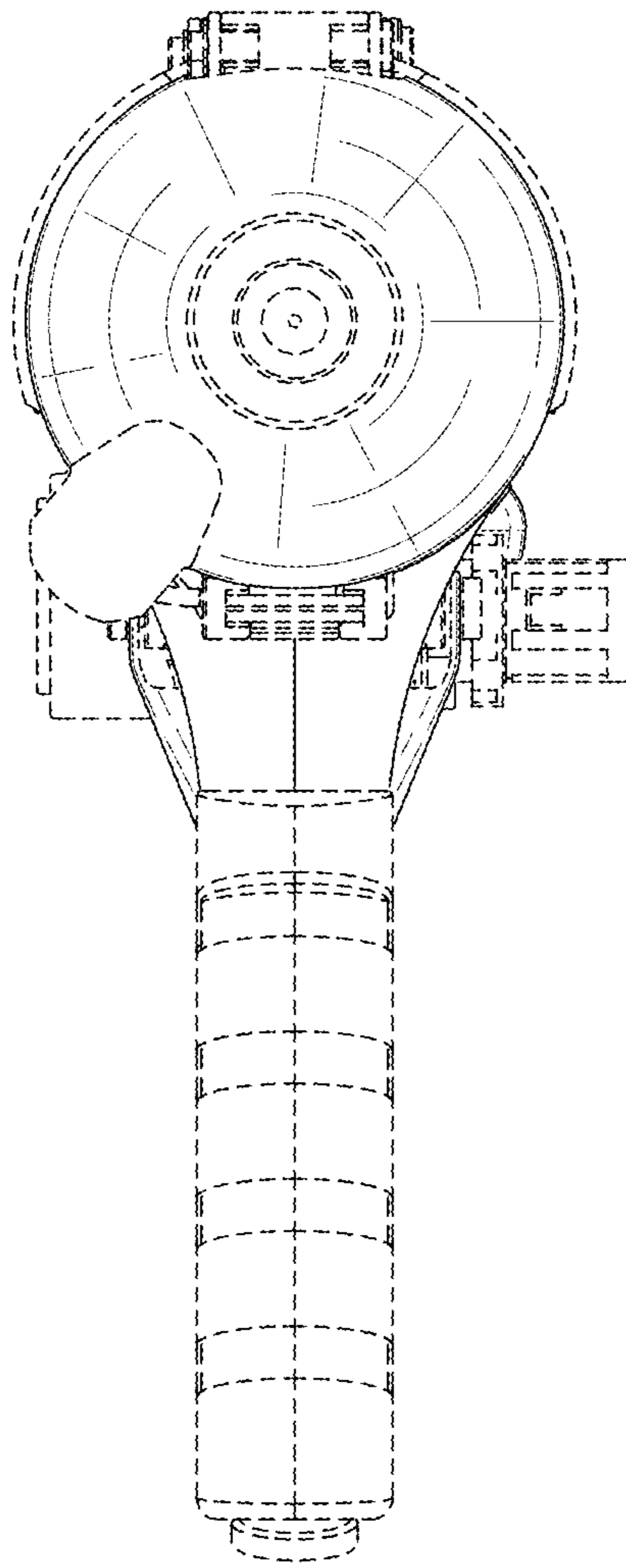


FIG. 5

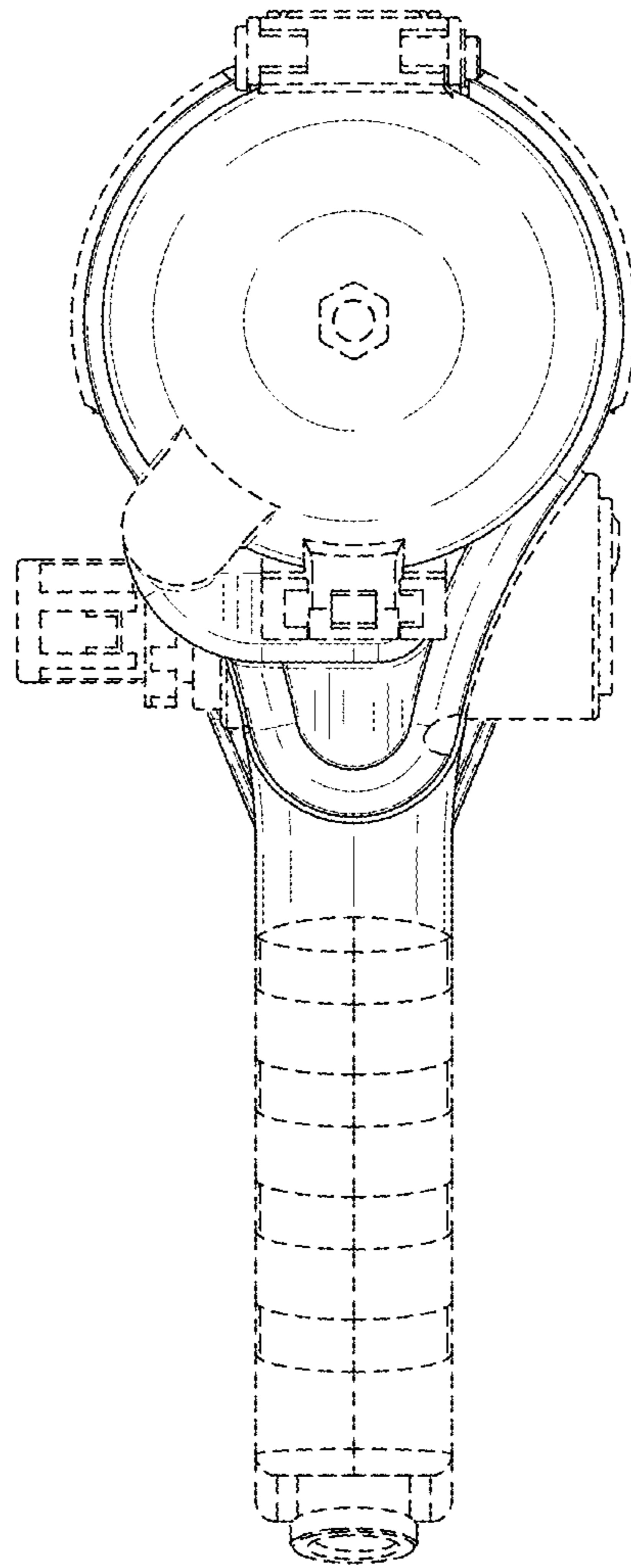


FIG. 6

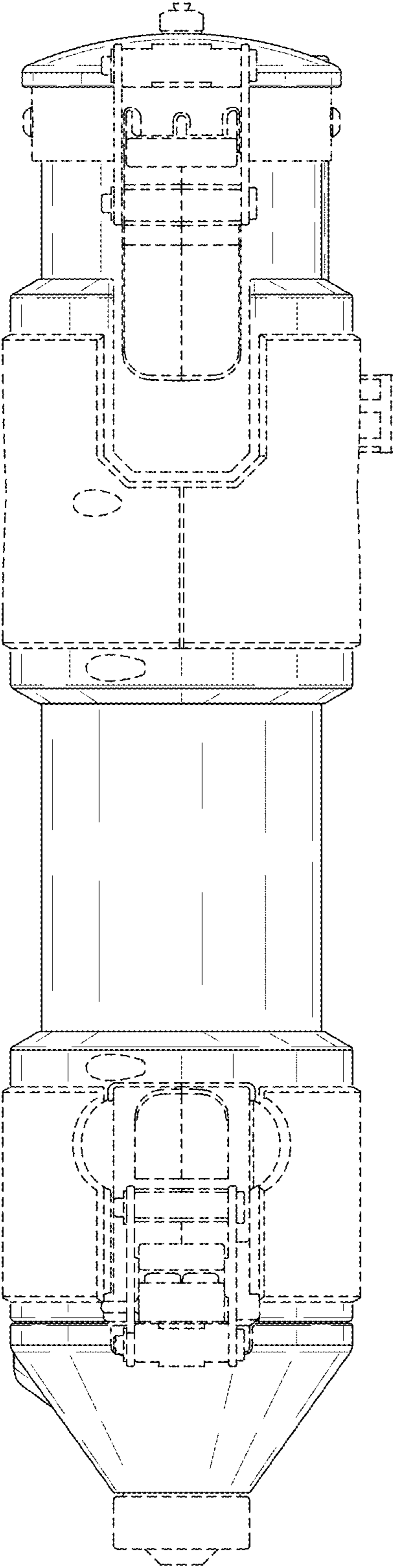


FIG. 7

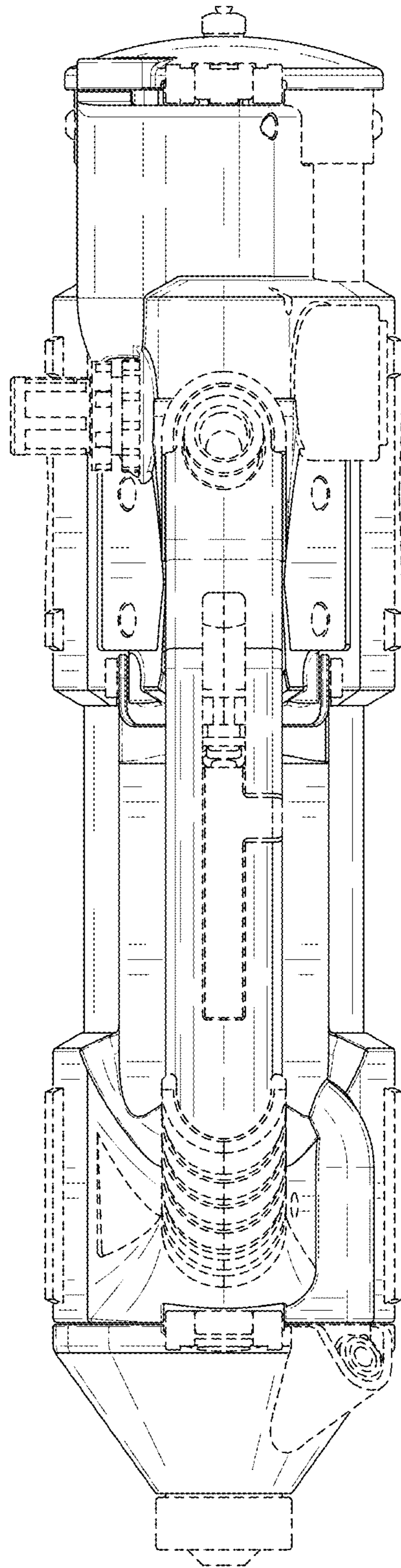


FIG. 8