



US00D891581S

(12) **United States Design Patent** (10) **Patent No.:** **US D891,581 S**
Cheng (45) **Date of Patent:** **** Jul. 28, 2020**

(54) **SPRINKLER GUN**
(71) Applicant: **Yuan Mei Corp.**, Chang Hua Hsien (TW)
(72) Inventor: **Chi-Han Cheng**, Chang Hua Hsien (TW)
(73) Assignee: **Yuan Mei Corp.** (TW)
(**) Term: **15 Years**

D542,381 S 5/2007 Jou
D553,223 S 10/2007 Yu
D578,603 S 10/2008 Khaitov
D629,067 S 12/2010 Carpanese
D636,848 S 4/2011 Fontaine
D680,619 S * 4/2013 Zhadanov D23/223
D681,776 S * 5/2013 Cutler D23/223
D694,357 S * 11/2013 Brodey D23/213
D694,359 S * 11/2013 Schoenherr D23/213
D707,330 S * 6/2014 Schoenherr D23/223
D713,004 S * 9/2014 Schoenherr D23/223
D713,496 S * 9/2014 Schoenherr D23/213
D718,418 S * 11/2014 Georgeson D23/213

(Continued)

(21) Appl. No.: **29/687,082**
(22) Filed: **Apr. 10, 2019**
(51) **LOC (12) Cl.** **23-01**
(52) **U.S. Cl.**
USPC **D23/223**; D23/213; D23/226
(58) **Field of Classification Search**
USPC D23/213, 214, 215, 223, 224, 226, 229, D23/230
CPC A61H 9/0021; A61H 33/00; B05B 1/00; B05B 1/14; B05B 1/185; B05B 1/08; B05B 1/02; B05B 1/26; B05B 12/002; B05B 1/18; B05B 9/01
See application file for complete search history.

OTHER PUBLICATIONS

https://www.amazon.com/VicTsing-Patterns-Heavy-Duty-Resistant-Showering/dp/B07D8SH7XL/ref=sr_1_12?keywords=sprinkler+nozzle&qid=1583177444&sr=8-12 (Year: 2018).*
<https://www.amazon.com/dp/B07RK5HFM3/> (Year 2020), 4 pages.

Primary Examiner — Manpreet S Matharu
Assistant Examiner — Keith J Wilson
(74) *Attorney, Agent, or Firm* — Stinson LLP

(57) **CLAIM**

The ornamental design for a sprinkler gun, as shown and described.

(56) **References Cited**

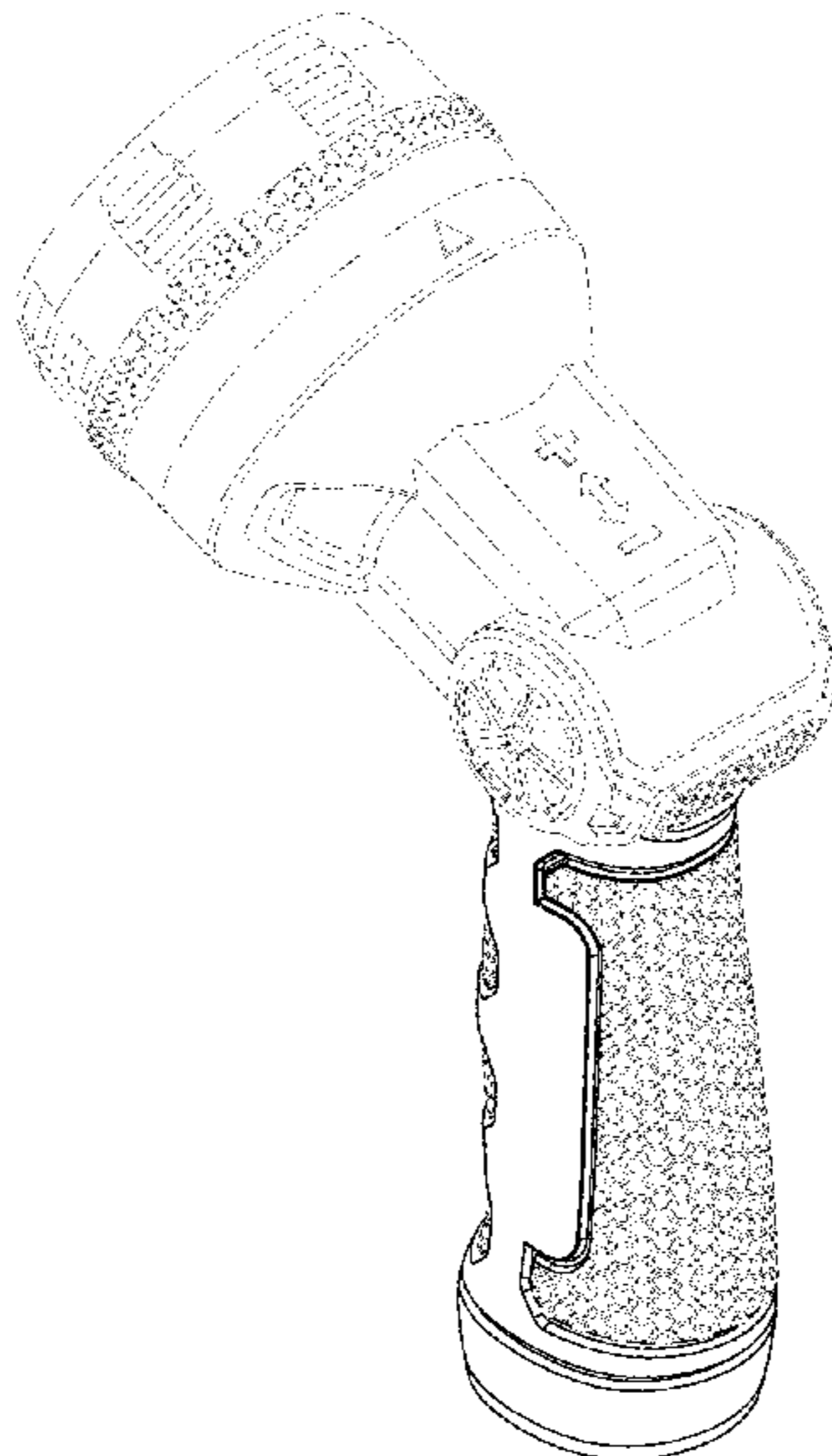
U.S. PATENT DOCUMENTS

D410,995 S 6/1999 Hsin-Fa
D411,607 S 6/1999 Wang
D415,251 S 10/1999 Kuo
D415,253 S 10/1999 Kuo
D421,483 S 3/2000 Patrick
D422,056 S 3/2000 Patrick
D451,582 S 12/2001 Kuo
D457,221 S 5/2002 Alkalay et al.
D487,498 S * 3/2004 Blomstrom D23/213
D501,914 S 2/2005 Chen
D508,730 S * 8/2005 Blomstrom D23/229
D512,122 S 11/2005 Yorns et al.
D524,412 S * 7/2006 Blomstrom D23/229

DESCRIPTION

FIG. 1 is a perspective view of a sprinkler gun showing an embodiment of my new design;
FIG. 2 is a left side elevational view thereof;
FIG. 3 is a right side elevational view thereof;
FIG. 4 is a top plan view thereof;
FIG. 5 is a bottom plan view thereof;
FIG. 6 is a rear elevational view thereof; and,
FIG. 7 is a front elevational view thereof.
Portions of the sprinkler gun are shown in broken lines for illustrative purposes and form no part of the claimed design.

1 Claim, 7 Drawing Sheets



(56)

References Cited

U.S. PATENT DOCUMENTS

8,950,693 B2 * 2/2015 Hsieh B05B 1/3026
 239/525
 D730,493 S * 5/2015 Sehl D23/261
 D733,258 S * 6/2015 Sandee D23/223
 D737,931 S * 9/2015 Schoenherr D23/223
 D737,932 S * 9/2015 Nikles D23/223
 D743,507 S * 11/2015 Georgeson D23/252
 D745,636 S 12/2015 Lin
 D746,945 S 1/2016 Naslund
 D746,947 S 1/2016 Naslund
 D746,955 S * 1/2016 Corder D23/261
 D752,711 S * 3/2016 Georgeson D23/213
 9,387,495 B2 * 7/2016 Schumacher B05B 1/30
 D770,594 S 11/2016 Dammkoehler et al.
 D778,404 S * 2/2017 Schoenherr D23/223
 D779,038 S * 2/2017 Hanna D23/223
 D779,039 S * 2/2017 Hanna D23/223
 D782,005 S 3/2017 Naslund et al.
 D801,475 S * 10/2017 Naslund D23/213

D803,350 S * 11/2017 Tian D23/213
 D808,499 S * 1/2018 Naslund D23/213
 D809,094 S * 1/2018 Naslund D23/213
 D810,233 S * 2/2018 Winter D23/213
 D810,861 S * 2/2018 Weaver D23/213
 D811,524 S * 2/2018 Bossini D23/223
 9,895,703 B1 * 2/2018 Hsieh B05B 1/3026
 D820,388 S * 6/2018 Seum D23/213
 D820,949 S * 6/2018 Reinecker D23/213
 D821,542 S * 6/2018 Reinecker D23/213
 D824,485 S * 7/2018 Montoya D23/213
 D824,490 S 7/2018 Montoya et al.
 D824,491 S 7/2018 Montoya et al.
 D833,575 S * 11/2018 Soulier D23/223
 D839,384 S * 1/2019 Svendsen D23/213
 D840,503 S * 2/2019 Stein D23/213
 D841,121 S * 2/2019 Kiefer D23/213
 D841,125 S * 2/2019 Lai D23/223
 D842,429 S * 3/2019 Huang D23/213
 D842,430 S * 3/2019 Huang D23/213
 D842,431 S * 3/2019 Cacka D23/213
 D842,967 S * 3/2019 Farley D23/213

* cited by examiner

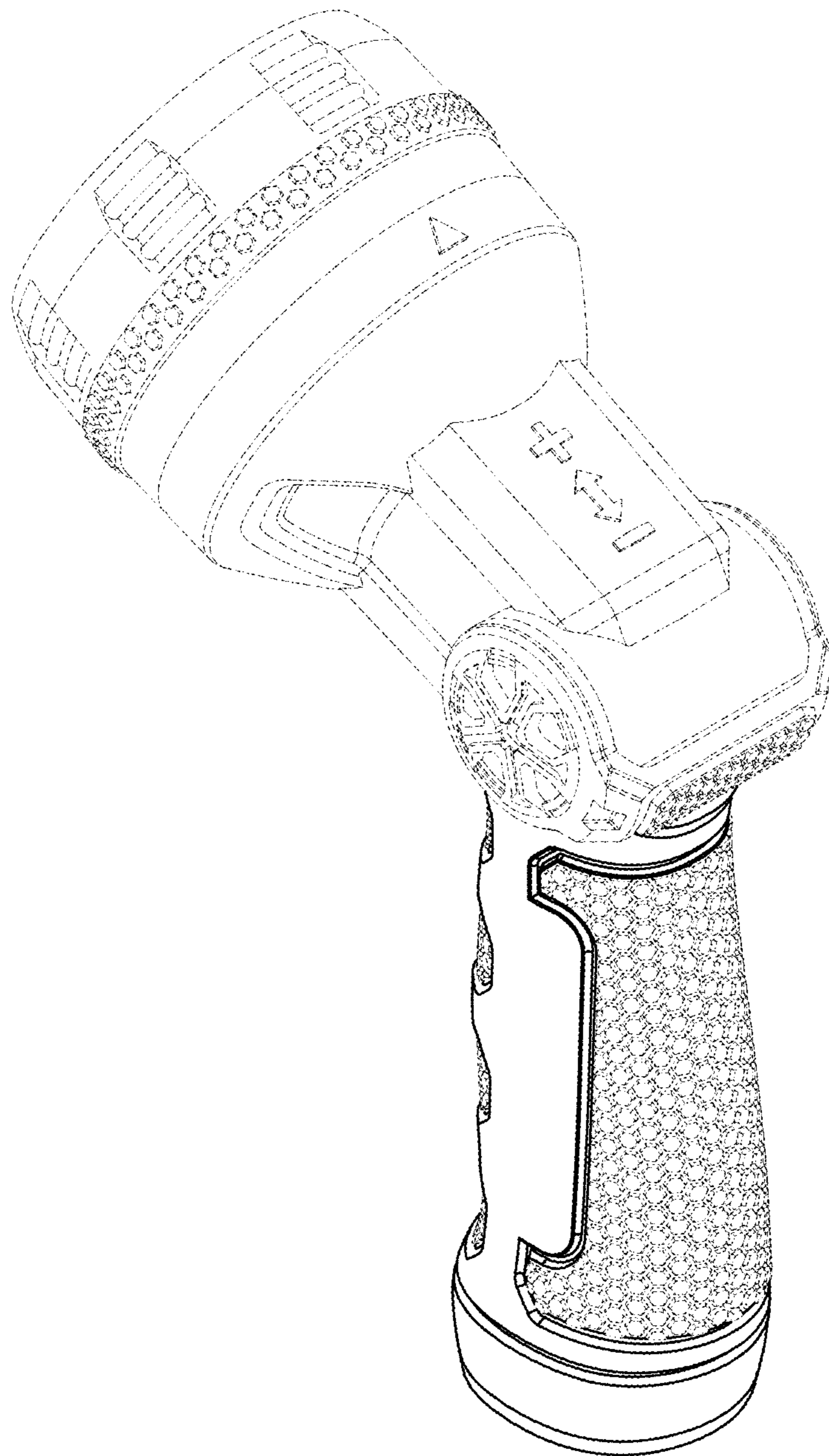


FIG. 1

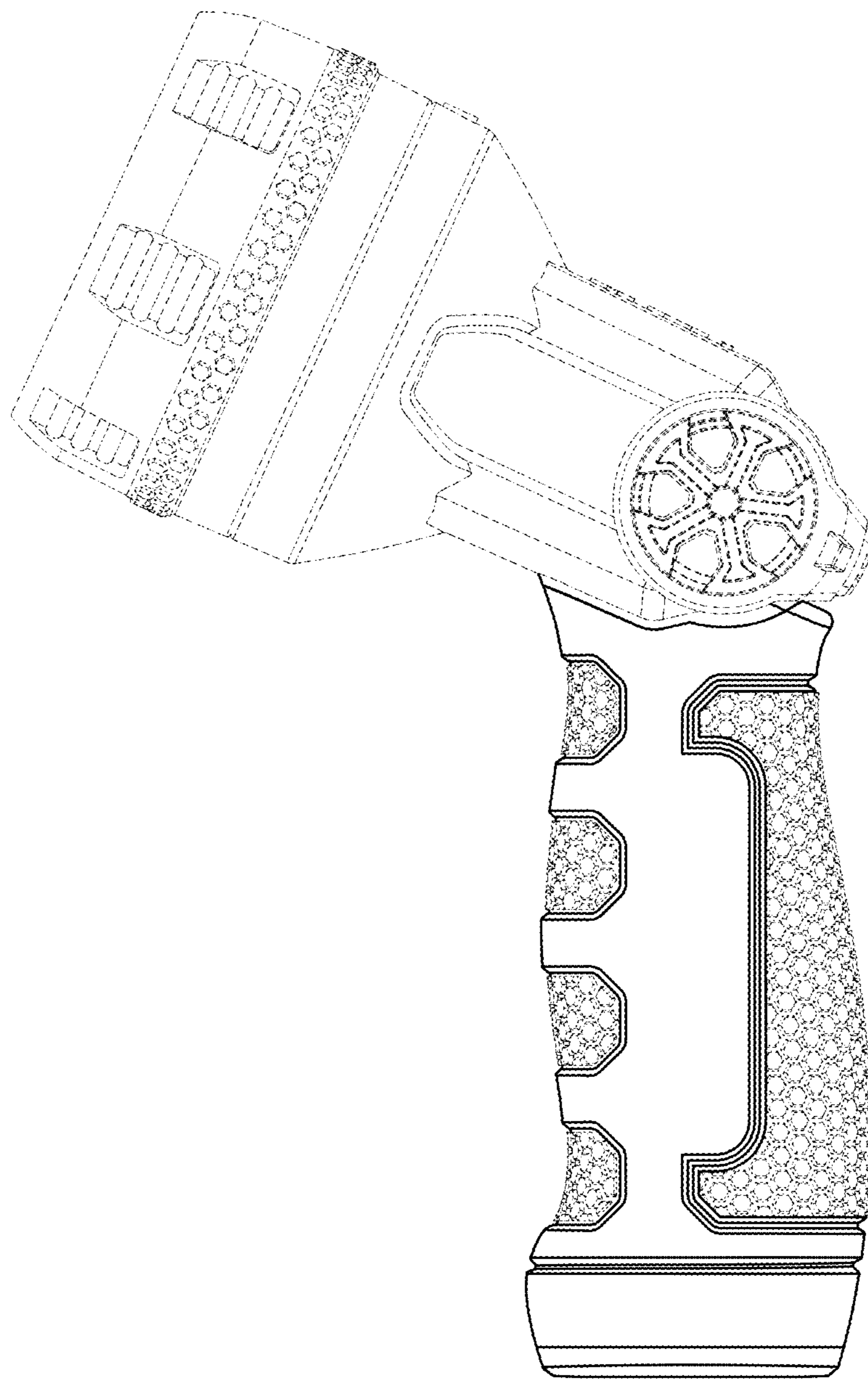


FIG. 2

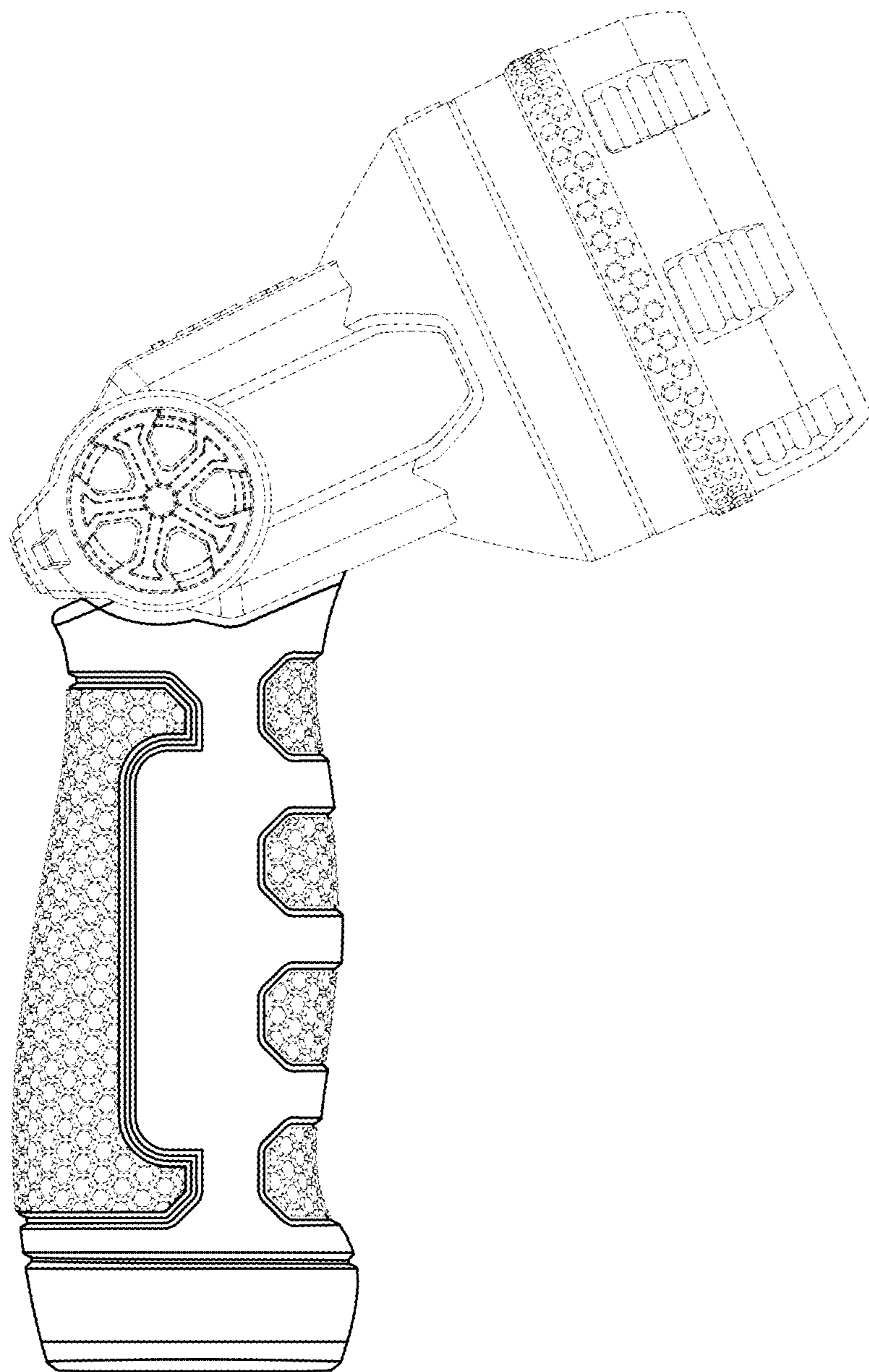


FIG. 3

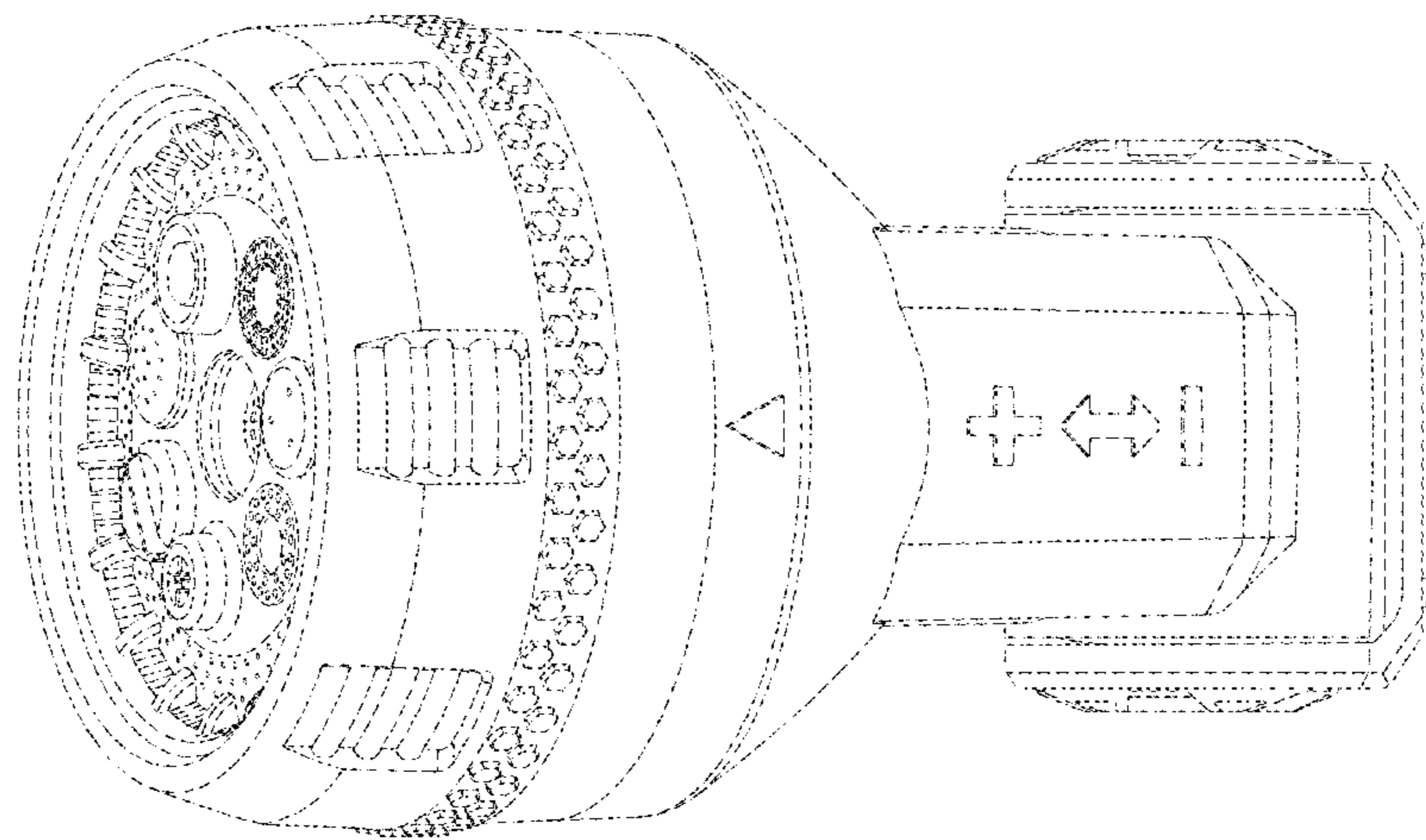


FIG. 4

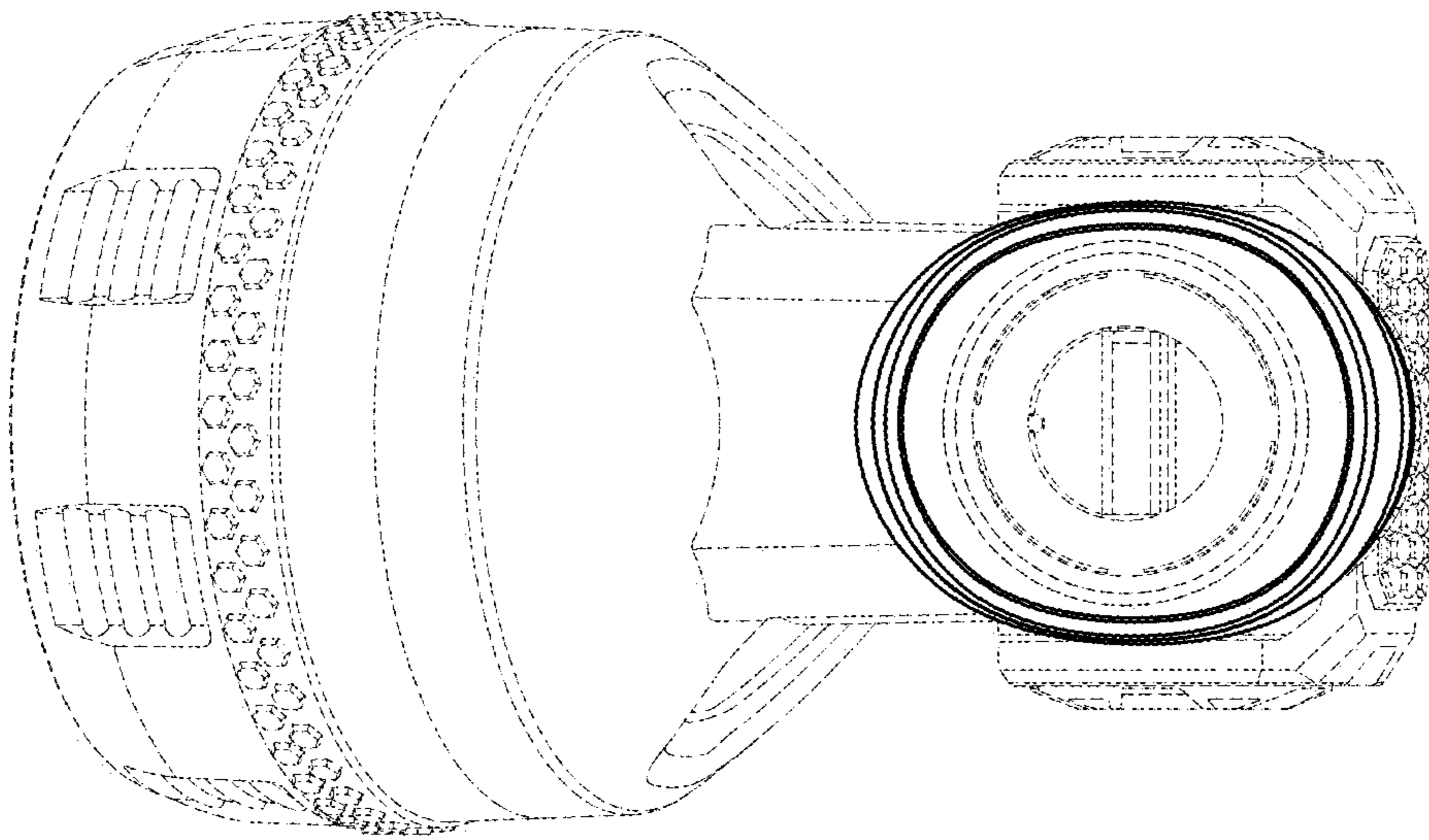


FIG. 5

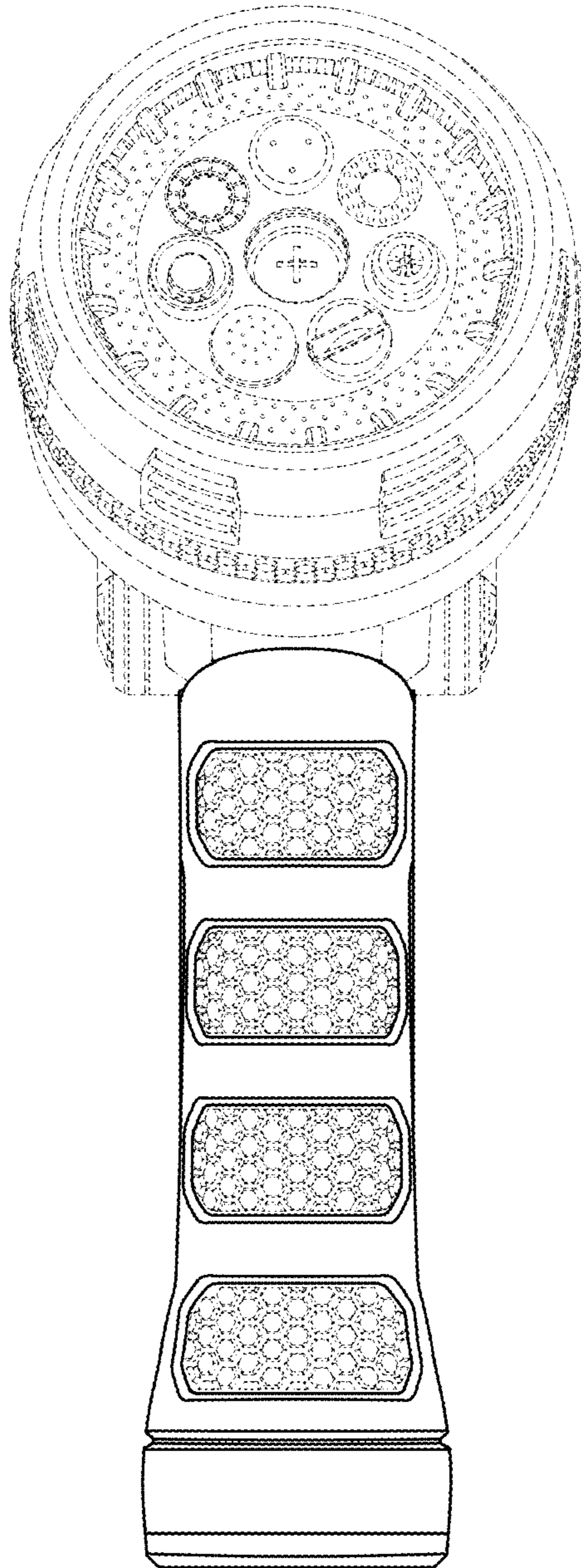


FIG. 6

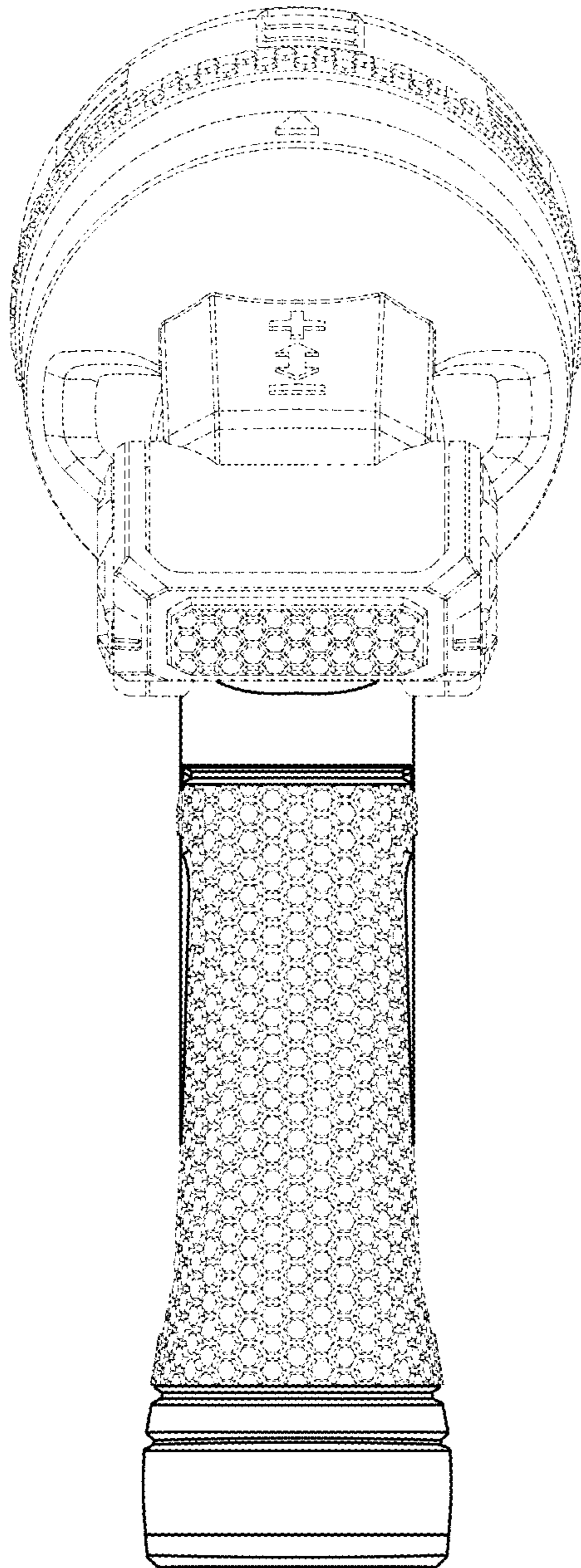


FIG. 7